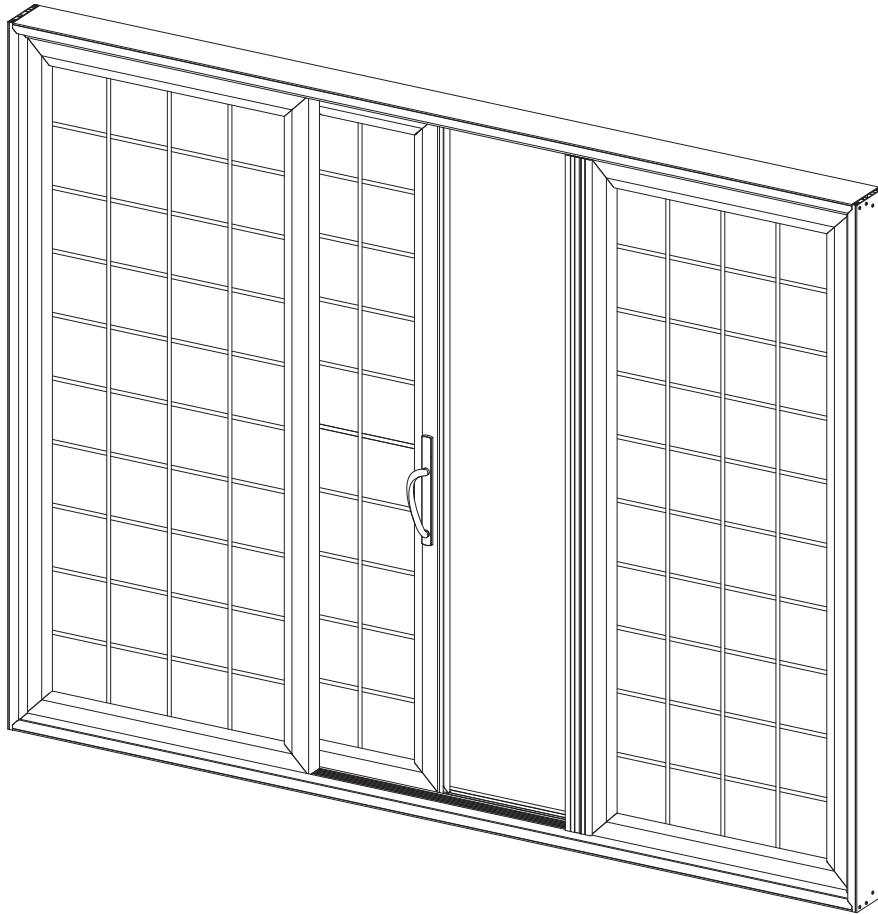


Installation Instructions



SYSTEM DESCRIPTION

- Applies to: **OX, XO, XX, OXO, XOO, OOX, & OXXO**
- 4-5/8" Overall Depth
- Integral Nail Fin
- 7/8" Insulating Glazing
- Optional Screens
- Grille options available
 - Simulated Divided Lines
 - Sculptured Grids Between Glass
 - Flat Grids Between Glass
- Available in White, Adobe, Bronze, and Black Colors



TABLE OF CONTENTS

Installation Notes	Page ii & iii
Tools You'll Need & Parts List.....	Page iv

PANEL REVERSAL

Check YKK AP HD Door and Hardware Packages	Page 1
Assemble the Frame	Page 2
Install the Frame into the Rough Opening	Page 3 & 4
Install the Fixed Panels	Pages 5 & 6
Install the Interlock.....	Page 7
Install Pocket Covers.....	Page 8
Install Operable Panels	Pages 9 & 10
Astragal Installation, for OXXO Only	Page 11
Astragal Installation, for OXO Only	Page 12
Hardware Installation.....	Page 13


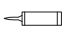










INSTALLATION NOTES

1. Do not drop, roll or drag boxes of vinyl sliding doors. Move and stack boxes with proper support to prevent distortion. If fork lifts are used, be especially careful about striking the boxes when lifting or moving.
2. Store in a dry, out of the way area. If rain exposure, condensation or any water contact is likely, then all packaging material should be removed. Wet packaging materials will discolor and may stain vinyl finishes.
3. All materials should be checked for quantity and quality upon receipt, YKK AP must be notified immediately of any discrepancies in shipment.
4. Check to make sure that you have the required shims, sealants, supplies, and tools necessary for the installation (not supplied by YKK AP).
5. Carefully check the openings and surrounding conditions that will receive your material. Remember, if the construction is not per the construction documents, it is your responsibility to notify the general contractor in writing. Any discrepancies must be brought to the general contractor's attention before you proceed with the installation.
6. Collect your shop drawings, materials, packing list, and this installation manual. Carefully review parts location, the sequence of installation, when you glaze it, and how you seal it. Installation instructions are of a general nature and may not cover every condition you will encounter. The shop drawings and/or installation manuals were prepared specifically for the product.
7. Any material substitutions must be of equal or greater quality.
8. Make certain that material samples have been sent for compatibility testing for all manufacturer's sealants involved. Make certain that sealants and backer rod have been installed in strict accordance with the manufacturer's recommendations and specifications.
9. System-to-structure fasteners are not supplied by YKK AP. Fasteners called out on shop drawings are to indicate minimum sizes for design loading.
10. If any questions arise concerning YKK AP products or their installation, contact YKK AP for clarification before proceeding.

INSTALLATION NOTES

11. YKK AP sliding door installation is typically completed before drywall, flooring and other products which may still be in process. Take the extra time to wrap and protect the work produced.
12. YKK AP StyleView sliding doors are pre-finished, prefabricated, preassembled, and preglazed products, and must be protected against damage.
13. Concrete, mortar, plaster, muriatic acid and other alkaline and acid based construction and cleaning materials may be very harmful to sliding door hardware and should be removed with water and mild soap immediately or permanent damage or staining of the finishes will occur. A spot test is recommended before any cleaning agent is used, and abrasive type cleaners must never be used.
14. Sliding doors are never to be used as ladders, step stools, scaffolds, or scaffold supports.
15. All sliding doors must be installed plumb, square, level and true, and in accordance with approved shop drawings and these installation instructions.
16. Do not use brick wash after sliding doors are installed. Doing so will void the sliding door warranty.
17. Sliding doors should never be stored in an area where temperatures will exceed 140° F. Doing so will void the sliding door warranty.
18. Sliding doors should never be painted. Doing so will void the sliding door warranty.
19. Buildings constructed prior to 1978 may contain lead paint which could be disturbed during replacement. For more information on proper management of lead paint, visit www.epa.gov/lead
20. The glass has been specified by shop drawings and YKK AP is not responsible for conformance with local building codes other than to provide the approved glass. It is the installers' responsibility to ensure final compliance of the glazing with all applicable codes.
21. Check our website, www.ykkap.com, for the latest installation manual update prior to commencing work.

TOOLS YOU'LL NEED

 Tape measure	 Color-matched interior/exterior silicone window and trim sealant
 Level	 Caulk gun
 Chalk line	 6" drywall blade
 Power screwdriver with Phillips head bits	 8" flashing tape
 #2 x 6" or longer Phillips head screwdriver	 Rubber mallet or hammer
 Several dozen #8 1-1/4" pan head corrosion resistant screws	 Pliers
 Drill bits: 3/8", 3/16", and 1/8"	 Small pry bar

PARTS LIST

(1) Sill (w/ pre-installed stainless steel track and DP-50 sill risers)	(1) Interlock (2 for OXXO door)
(1) Head	(1) OXO/OXXO Door Astragal
(2) Jambs	(1) Locking Handle Set w/ keyed cylinder lock
(2) Glass Fixed Door Panels	(1) Dummy Handle Set (OXXO doors only)
(1) Glass Operable Door panel (2 for OXXO door)	(1) Keeper Shim
(12) Anti-lifts packed into jambs (14 for OXXO door)	(1) Keeper
(2) Panel Stops packed into jambs (4 for OXXO door)	#8 x 3" Phillips pan head screws
(2) Head/Sill Pocket Covers (packed into head / sill)	#10 x 1-1/4" Phillips Screws
(2) Jamb Pocket Covers (packed into head / sill)	#8 x 2" Phillips truss head screws

PREPARATION

STEP 1: Check YKK AP HD Door and Hardware Packages

-Select a flat area large enough to accommodate working with the fully assembled HD Door Frame, approximately 20' x 20'.

-Each YKK AP HD OXO and OXXO door is delivered in multiple cartons which include extruded frame sections and parts, hardware, and door panels. Unpack the cartons and lay out the frame members (sill, head, and jambs) with interior and exterior surfaces aligned correctly for assembly. Refer to the parts list on the previous page.

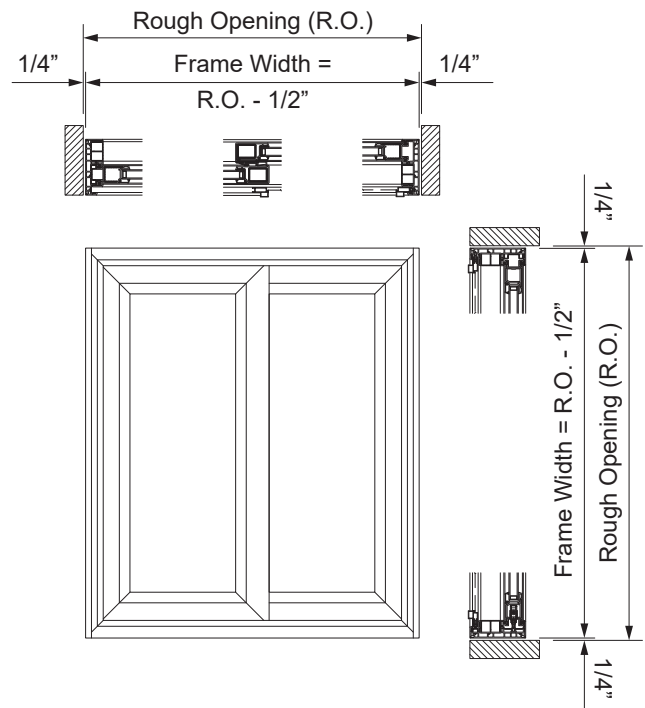
-Anti-lifts and panel stops have been packed into the jambs for shipping. Gently pry these components from the jamb(s) with a screwdriver and set them aside for use later.

-Pocket covers have been packed into the head and sill for shipping. Gently remove these components by prying with a screwdriver and set them aside for use later.

Note: Do not remove the pre-installed sill risers placed at each end of the sill.

-Confirm you have all the required components and hardware. If any parts are missing, contact YKK AP at (866) 348-9091.

-Ensure the rough opening is 1/2" larger than the door to be installed and that the rough opening is plumb and square. See **Detail 1**.



DETAIL 1

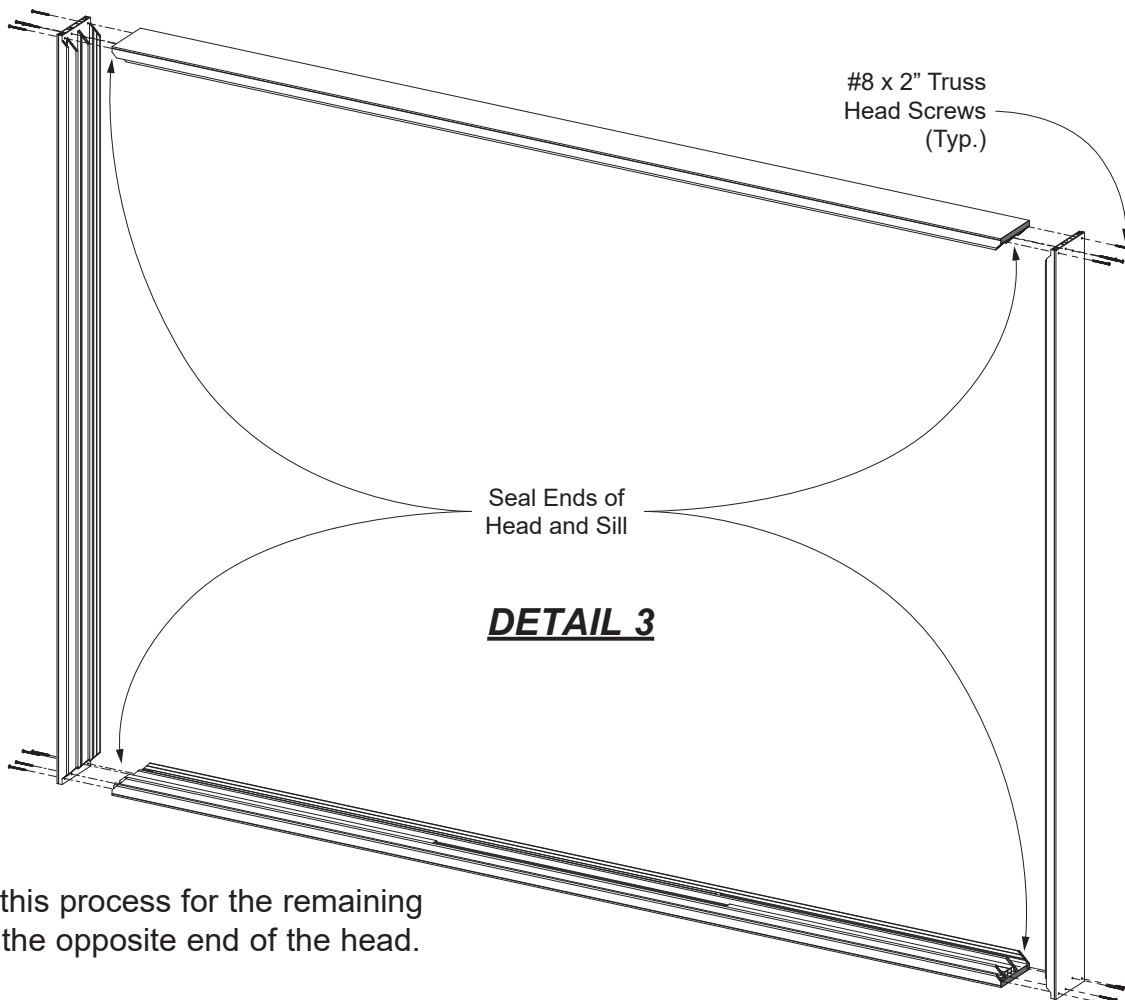
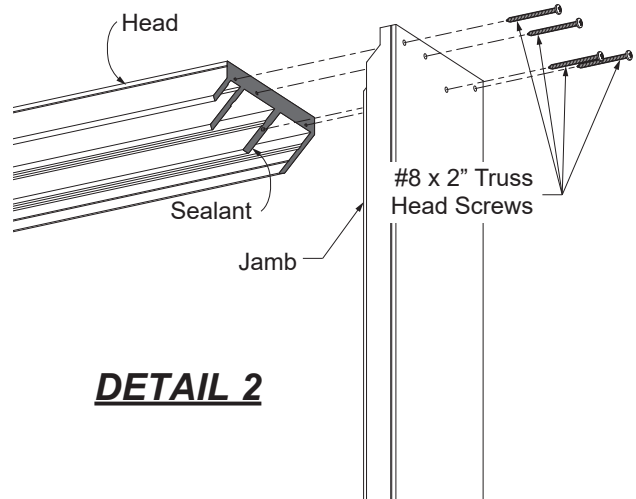
OX Shown,
Others Similar

FRAME ASSEMBLY

STEP 2: Assemble the Frame

-Place a bead of clear silicone sealant at one end of the head along the factory-installed head foam gasket.

-Align the corresponding jamb perpendicular to the head. Be certain the interior and exterior sides of the head and jamb are each facing the same direction. Secure the joint using four provided #8 x 2" Phillips truss head screws. See **Detail 2**.



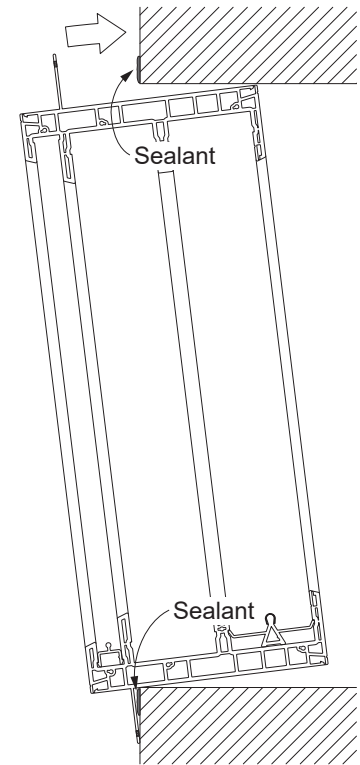
-Repeat this process for the remaining jamb at the opposite end of the head.

-Repeat to secure the sill to the jambs in the same way. Be sure to first add silicone sealant to each foam sill gasket. See **Detail 3**.

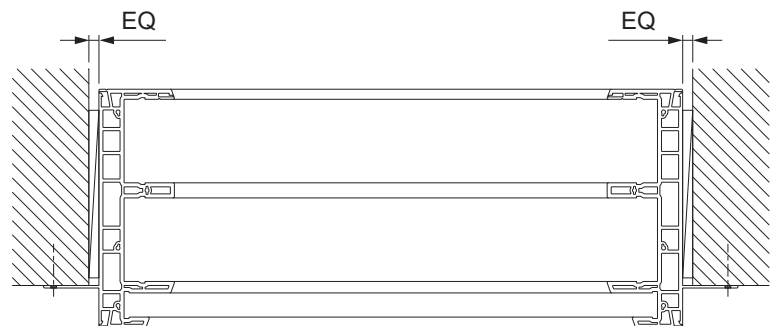
FRAME INSTALLATION

STEP 3: Install the Frame into Rough Opening (With Nail Fin)

- Apply a bead of silicone to the perimeter of the rough opening, surrounding the area the nail fins will overlap once the frame is in place.
- From the exterior side, position the door frame into place with the nail fins against the exterior surface and center it into the opening, left to right. See **Detail 4 & 4A**.
- Level and secure the sill using #8 x 1-1/4" corrosion-resistant screws (not provided) across the nail fin.
- Plumb jambs, and at this time, use only three or four #8 x 1-1/4" corrosion resistant screws up and down the jambs to help temporarily hold the door in position.
- Confirm square by measuring diagonally, corner to corner. If the measurement isn't the same, make the required adjustments.
- Snap a chalk line between the top left and right corners of the head nail fin. Align the head nail fin with the chalk line and secure using #8 x 1-1/4" corrosion-resistant screws across the nail fin.
- Adjust each jamb for final plumb and secure with #8 x 1-1/4" corrosion resistant screws up and down the nail fins.



DETAIL 4



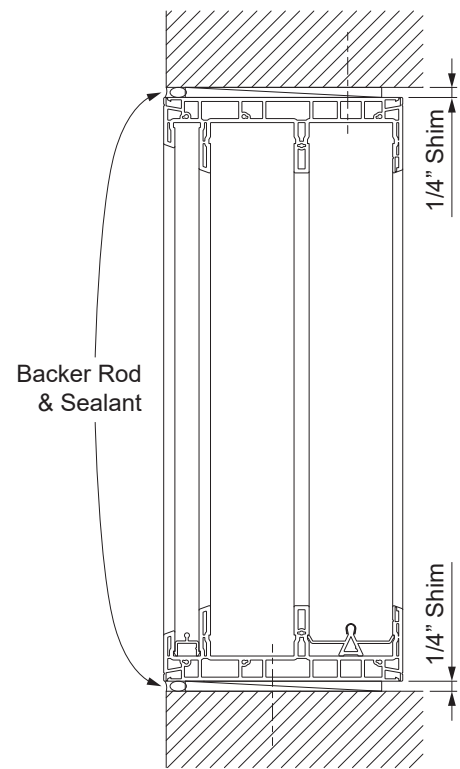
DETAIL 4A

FRAME INSTALLATION

STEP 3A: Install the Frame into Rough Opening (Without Nail Fin)

- Install the frame into the opening, starting at the head. Plumb jambs, and at this time, use only three or four #8 x 1-1/4" corrosion-resistant screws up and down the jambs to help temporarily hold the door in position.
- Confirm square by measuring diagonally, corner to corner. If the measurement isn't the same, make the required adjustments.
- Adjust each jamb for final plumb and secure with #8 x 1-1/4" corrosion resistant screws up and down the nail fins.
- Insert backer rod and apply sealant along the exterior perimeter of the sliding door.

See **Detail 5**.



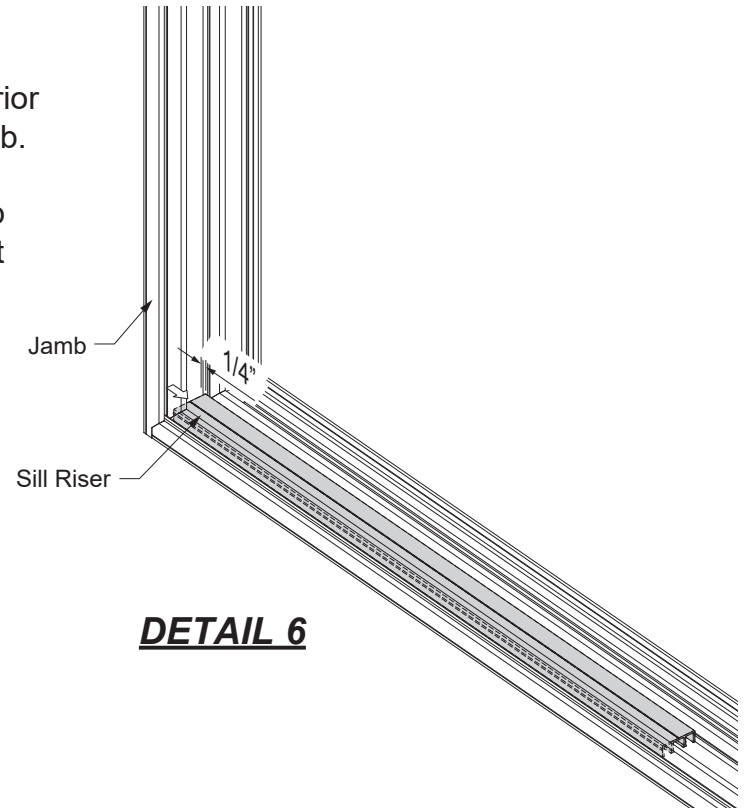
DETAIL 5

PANEL INSTALLATION

STEP 4: Install the Fixed Panels

-Pre-installed sill risers are located in the exterior sill pocket at the the corner of the sill and jamb. Use a small pry bar to offset this from the sill corner by 1/4" to allow clearance for the weep slot. Then gently tap the sill riser with a mallet to ensure it is securely seated in the pocket.

See **Detail 6**.

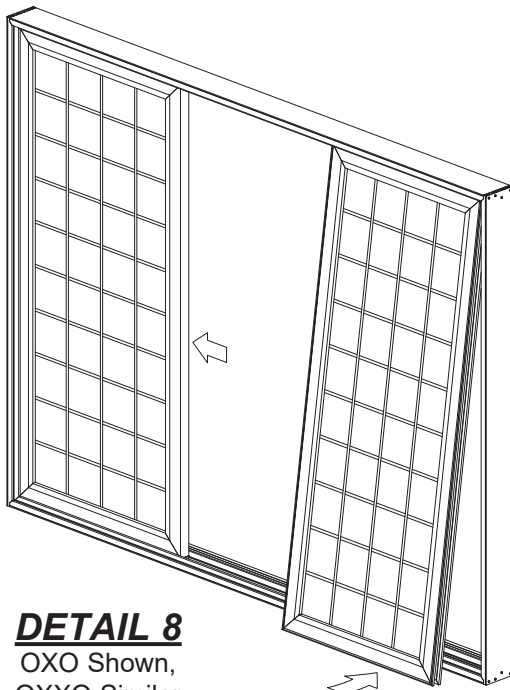
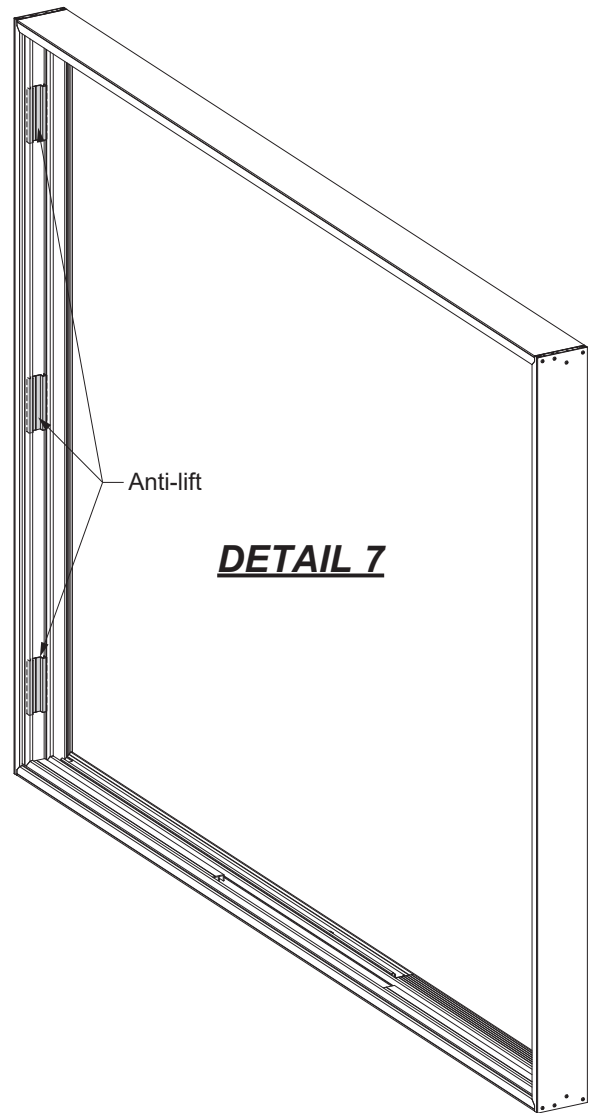


DETAIL 6

PANEL INSTALLATION**STEP 4 (Continued): Install the Fixed Panels**

-Insert three anti-lifts into the outside jamb pocket:
one near the sill, one centered vertically, and a third
near the head.

See **Detail 7**.



-Orient the fixed panel so the glass stop will be facing the exterior when installed. Lift the panel at an angle into the head and swing the bottom so it rests on the sill riser. Slide the panel into the outside jamb pocket until fully seated against the anti-lifts.

See **Detail 8**.

PANEL INSTALLATION

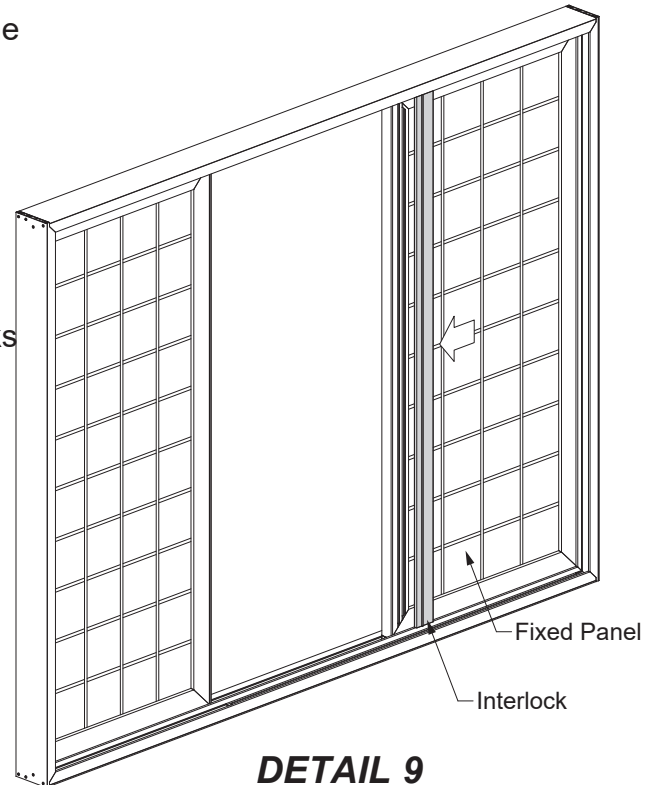
STEP 5: Install the Interlock

Note: The interlock installs on the interior facing side of the fixed panel, providing a weatherproof seal between the fixed and operable panels. As a result, the designed tolerance between the interlock and the fixed panel is extremely tight.

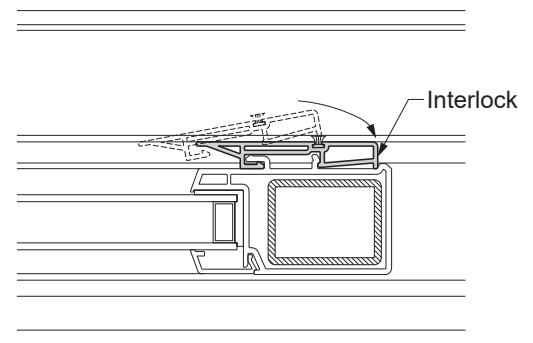
-Position the end of the interlock on the sill tower and, starting from the head, feed the leg of the interlock into the receiver on the fixed door panel. Taking care to protect the glass, use a mallet to tap along the interlock edge until it is firmly seated. Then, tap along the face of the interlock until it locks securely in place.

See **Details 9 & 9A**.

-For an OXXO door, install the interlock on the opposing fixed panel using the same method. Only one interlock is required for an OXO door.



DETAIL 9
OXO Shown,
OXXO Similar



DETAIL 9A

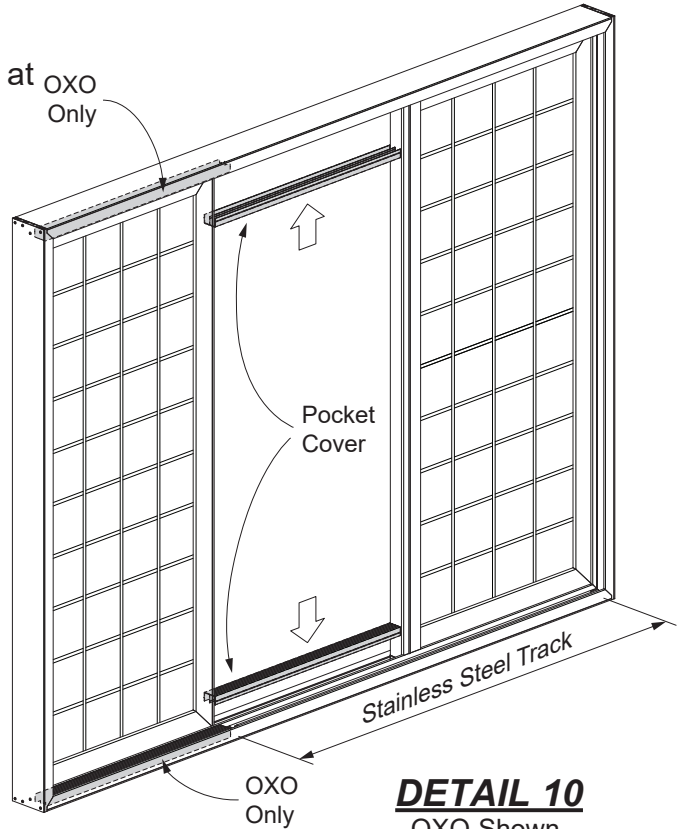
PANEL INSTALLATION

STEP 6: Install Pocket Covers

-Install pocket covers in the outside frame pocket at the head and sill between the fixed panels, and gently tap until each snaps into place.

-For the OXO doors, install pocket covers at the head and sill of the inside frame pocket not occupied by the stainless steel track.

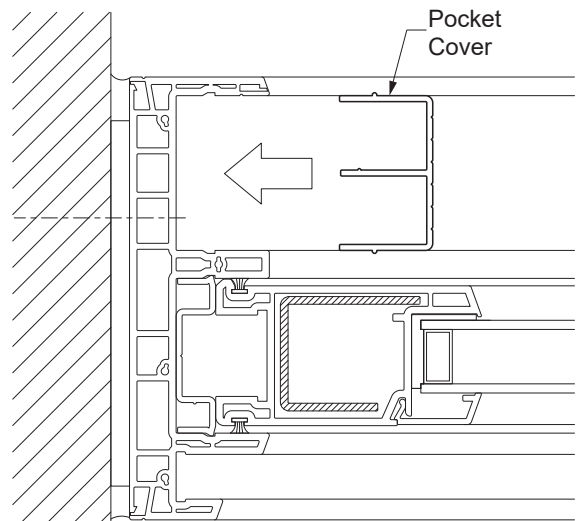
See **Detail 10**.



DETAIL 10
OXO Shown,
OXXO Similar

-Install pocket covers into the inside frame pockets along the jambs.

See **Detail 11**.



DETAIL 11

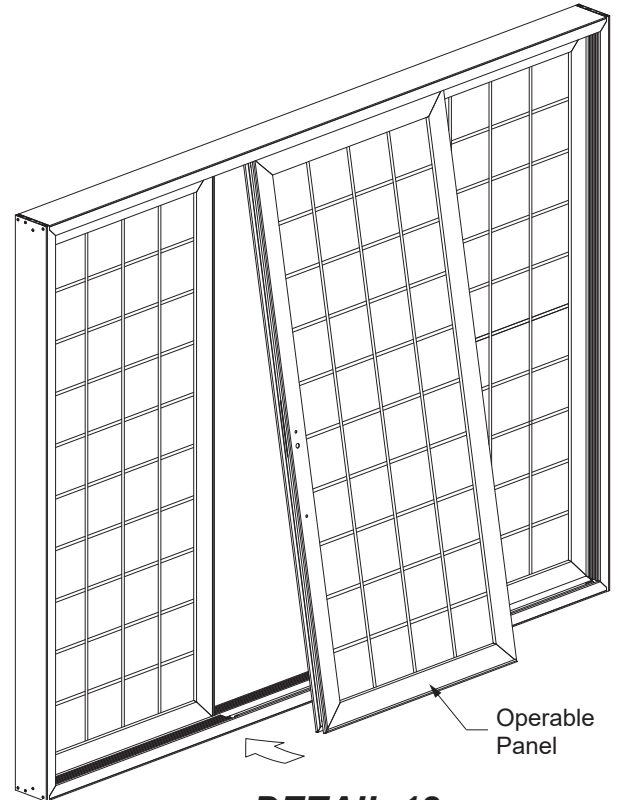
PANEL INSTALLATION

STEP 7: Install the Operable Panels

-Orient the operable panel so the glass stops face the exterior once installed. Lift the operable panel at an angle into the head and swing the bottom of the panel onto the stainless steel track. If necessary, use a 6" drywall blade to keep the panel rollers from interfering with positioning the panel.

See **Detail 12**.

Note: For an OXXO door install the other operable panel using the same method.



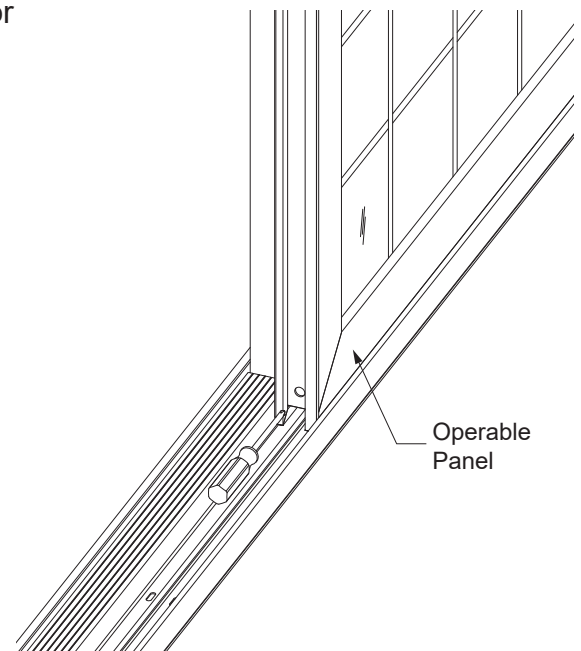
DETAIL 12

OXO Shown,
OXXO Similar

-Adjust the rollers so that the panel has equal penetration into the head and sill. Adjustment requires a #2 6-inch or longer Phillips head screwdriver. The roller adjustment screw is accessed through a hole at the bottom of the interlock and lock stiles of the operable panels.

See **Detail 13**.

-Gently slide the panels into position and check alignment. Confirm equal penetration into the head pocket and equal distance between the lock stiles. Adjust the rollers as required. For an OXO door, check for equal penetration into the head pocket and ensure vertical alignment along the interlock.



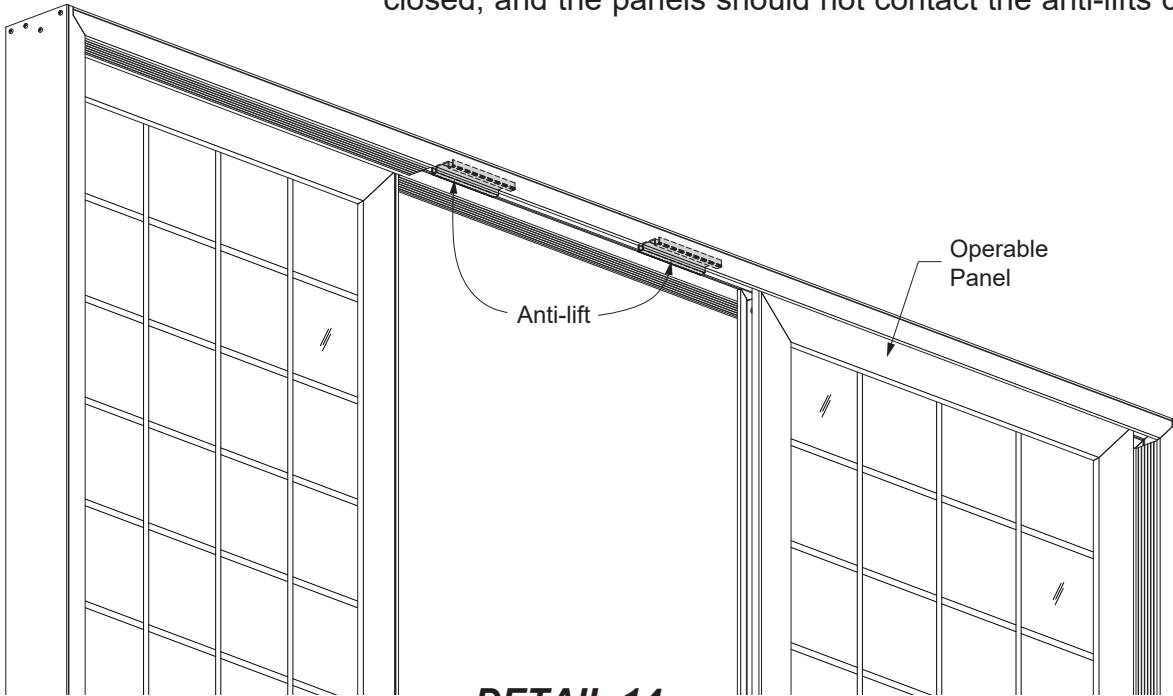
DETAIL 13

PANEL INSTALLATION

STEP 8 (Continued): Install the Operable Panels

-Install two anti-lifts into the inside pocket of the frame head above each operable panel. Position anti-lifts such that when the panel is in its closed position, there will be an anti-lift above the lock stile and another approximately 8" from the interlocks. The anti-lifts should not be visible when the operable panels are closed, and the panels should not contact the anti-lifts during operation.

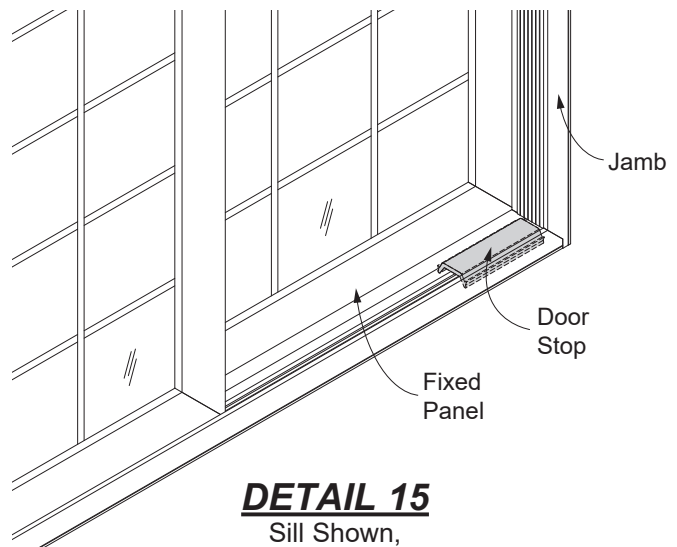
See **Detail 14**.



DETAIL 14
OXO Shown,
OXXO Similar

-Install panel stops on both the head and sill ends of the panel track. The panel stops should be set against the jamb pocket covers.

See **Detail 15**.



DETAIL 15
Sill Shown,
Head Similar

PANEL INSTALLATION

STEP 9: Astragal Installation, for OXXO Only

Note: Confirm operable panels are properly adjusted before installing the astragal. For OXO doors, skip to the next page.

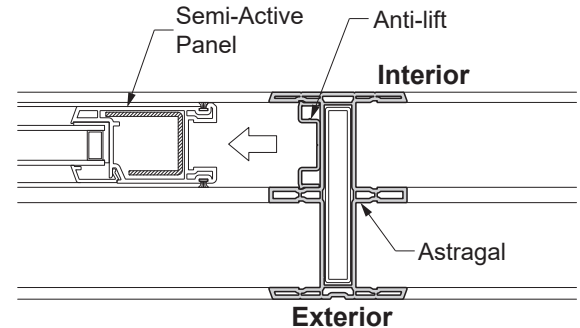
-Install four anti-lifts, equally spaced, into the OXXO astragal pocket that will attach to the semi-active (dummy) panel. (The semi-active panel will not include the locking mechanism.)

-Orient the OXXO astragal so that the foam pad will be located at the sill and that the screen adapter groove faces the exterior when installed.

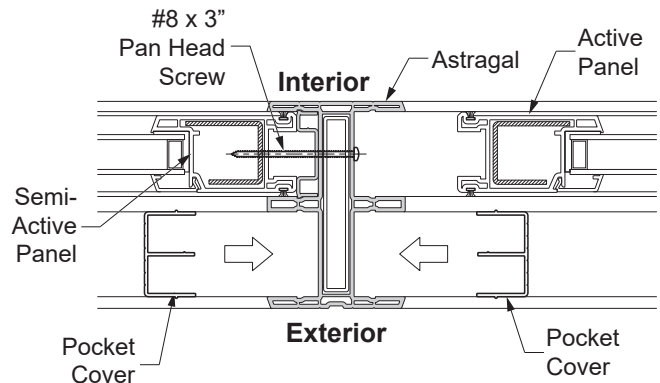
-Position the astragal onto the semi-active panel by resting the foam pad on the sill, without forcing downward, and push the astragal onto the panel stile. See **Detail 16**.

-Drill four 1/8" diameter holes approximately 3" deep, equally spaced along the inside length of the astragal pocket, and secure the astragal to the panel using #8 x 3" pan head self-drilling sheet metal screws. Do not overtighten. Check alignment with the moving panel.

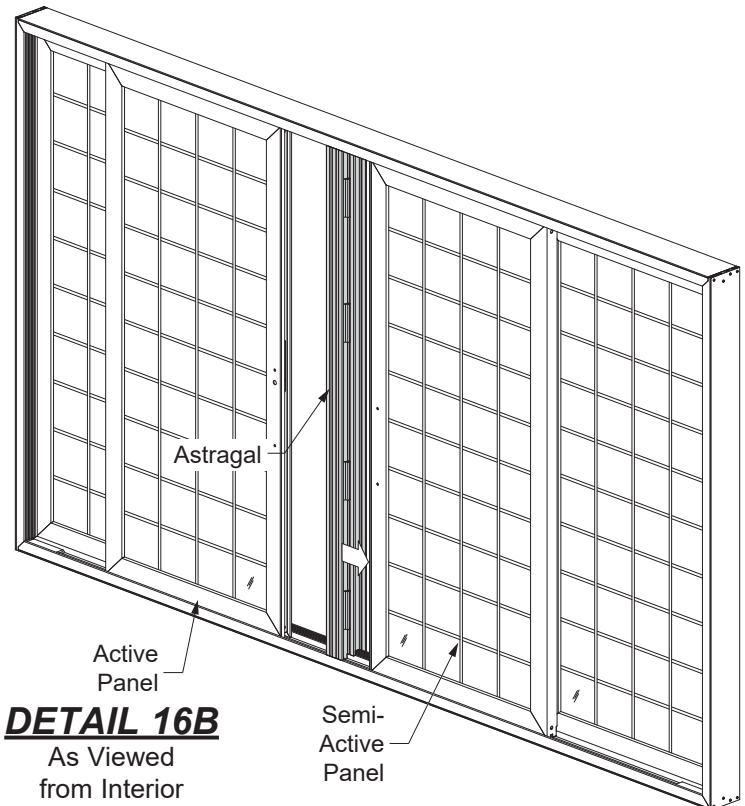
See **Detail 16A**.



DETAIL 16



DETAIL 16A



DETAIL 16B

As Viewed from Interior

PANEL INSTALLATION

STEP 9A: Astragal Installation, for OXO Only

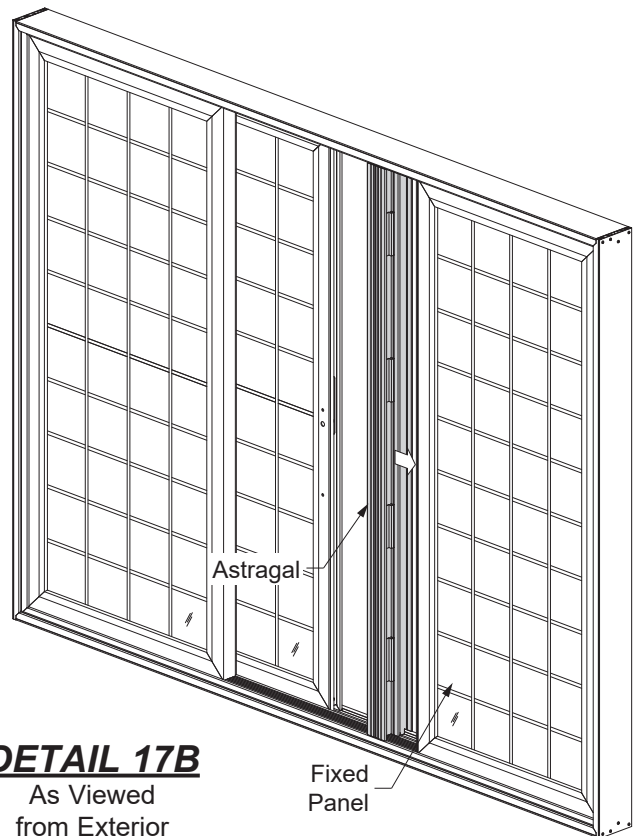
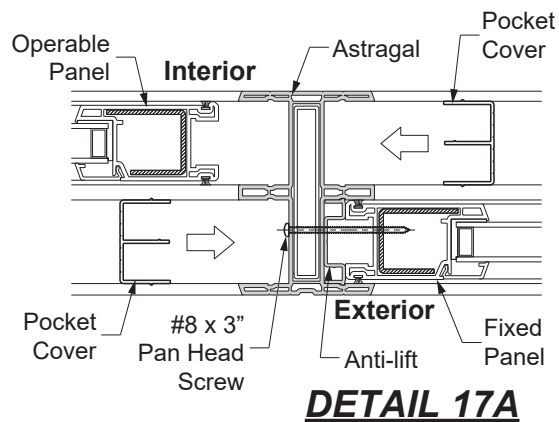
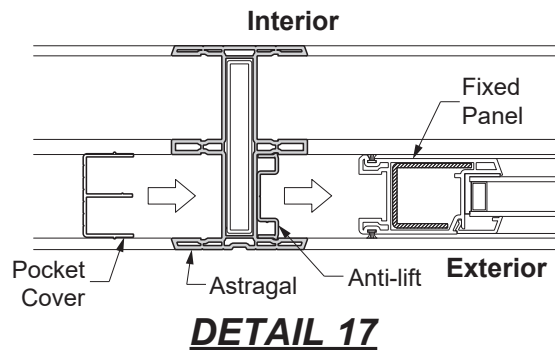
-Install four anti-lifts, equally spaced, into the OXO astragal pocket that will attach to the fixed stile.

-Orient the OXO astragal so that the foam pad will be located at the sill and that the screen adapter groove faces the exterior when installed.

-Position the astragal onto the fixed panel by resting the foam pad on the sill, without forcing downward, and push the astragal onto the panel stile. See **Detail 17**.

-Drill four 1/8" diameter holes approximately 3" deep, equally spaced along the inside length of the astragal pocket, and secure the astragal to the panel using #8 x 3" pan head self-drilling sheet metal screws. Do not overtighten. Check alignment with the moving panel.

See **Detail 17A**.



HARDWARE INSTALLATION

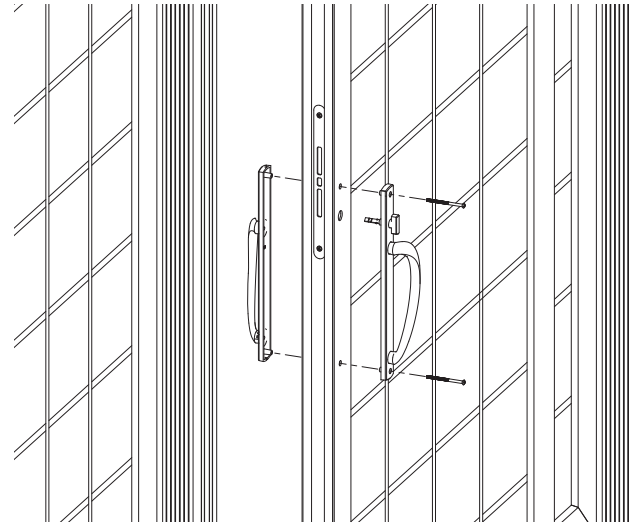
STEP 10: Install Lock, Keeper, and Handle Set

Note: A lock handle set is provided along with attaching hardware and a keyed lock cylinder. For an OXXO door, a matching dummy handle set is also provided.

-Insert the lock cylinder into the exterior half of the lock handle set and attach using provided screws.

-Before completing lock cylinder installation, snip the lock tail at the first score from the tip to accommodate the thickness of the YKK AP HD door.

-Verify that the screw boss extensions will fit inside the pre-drilled holes in the face of the operating panel lock stile. If necessary, bore out the holes using a 3/8" drill bit from both interior and exterior faces. Complete installation of the handle set to the lock stile using the medium length screws provided. See **Detail 18**.



DETAIL 18

-For an OXXO door, install the dummy handle set in the same manner on the semi-active panel.

-Determine where to position the keeper on the OXXO or OXO astragal by placing the keeper on the extended latch of the installed lock/handle set on the active door and pull that door towards the astragal, leaving enough space to determine proper alignment of the keeper on the astragal. Lightly mark top and bottom position references on the astragal.

-Remove the backing from the provided self-adhering keeper shim and position the shim onto the astragal, directly aligned with the position reference marks.

-Align the keeper top and bottom with the keeper shim and center in the astragal pocket width and mark screw location.

-Drill 3/16" holes on the marks and install the keeper using two provided #8 x 1-1/4" flat head screws.

-Check operation of the lock and adjust the keeper up or down as required. Check the alignment of the interlocks when in the closed and locked position.

 YKK AP America Inc.

Headquarters

101 Marietta Street NW
Suite 2100
Atlanta, Georgia 30303

Residential Division

100 YKK AP Way
Macon, Georgia 31216

www.ykkap.com