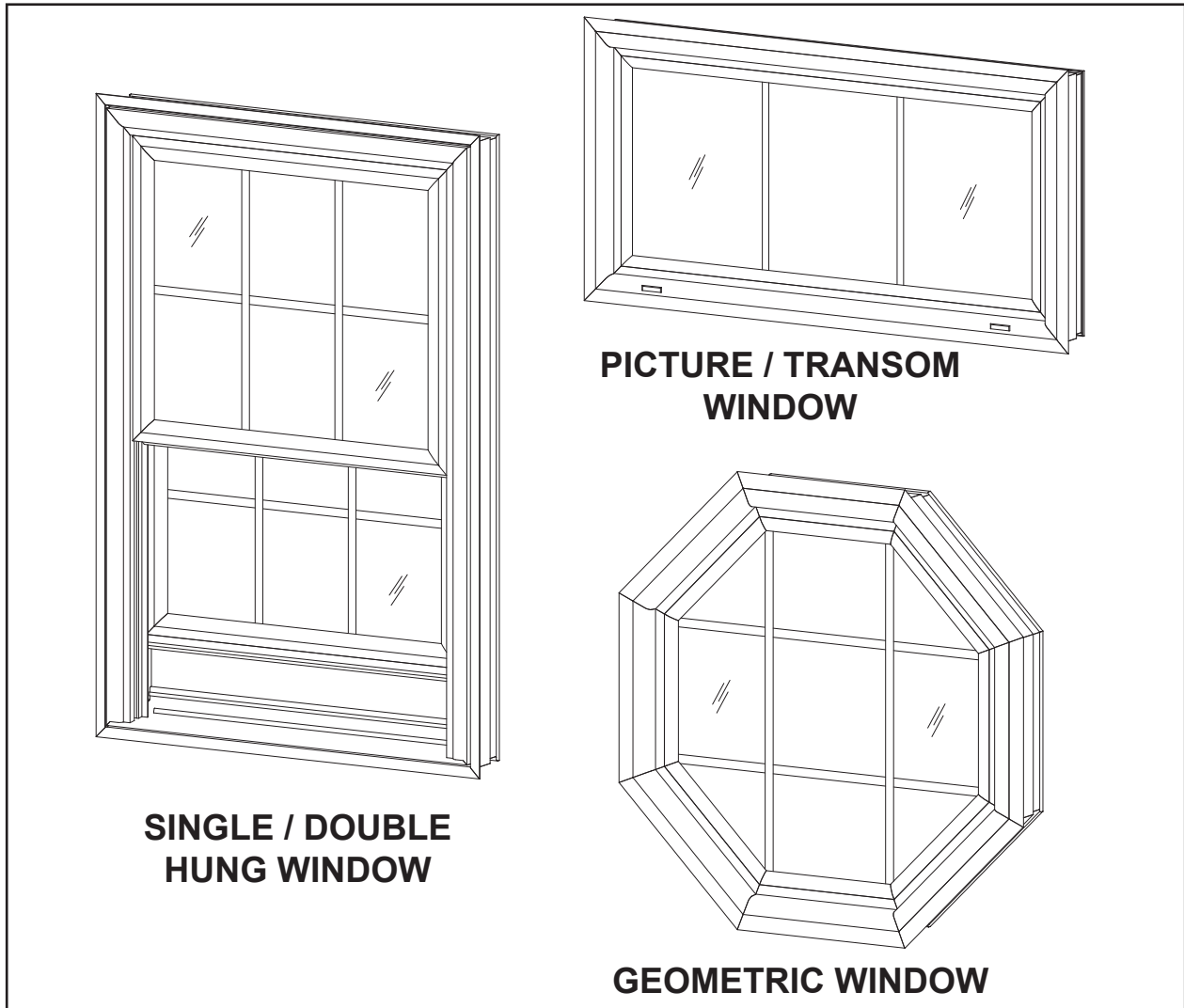


Installation Manual For New Construction



SYSTEM DESCRIPTION

- Variations: **Single Hung, Double Hung, Picture, Transom, Geometric**
- 3-1/4" Overall Depth with Flange
- Tilt-in Bottom Sash
- 3/4" Insulating Glazing
- Optional Screens
- Grille options available
 - Simulated Divided Lines
 - Sculptured Grids Between Glass
 - Flat Grids Between Glass
- Available in White, Tan, and Stone Colors for Fixed & Double Hung
Bronze & Black for Single Hung



TABLE OF CONTENTS

Installation Notes	Page ii & iii
Tools You'll Need	Page iv
PREPARATION	
Measure Rough Opening and Install Sill Anchor	Page 1
INSTALLATION	
Install Window	Page 2
FINISHING	
Sealant and Insulation	Page 3
ADDENDUM	
Top Sash Removal for Single Hung Windows	Page 4


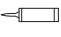






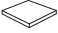




INSTALLATION NOTES

1. Do not drop, roll or drag boxes of vinyl windows. Move and stack boxes with proper support to prevent distortion. If fork lifts are used, be especially careful about striking the boxes when lifting or moving.
2. Store in a dry, out of the way area. If rain exposure, condensation or any water contact is likely, then all packaging material should be removed. Wet packaging materials will discolor and may stain vinyl finishes.
3. All materials should be checked for quantity and quality upon receipt, YKK AP must be notified immediately of any discrepancies in shipment.
4. Check to make sure that you have the required shims, sealants, supplies, and tools necessary for the installation (not supplied by YKK AP).
5. Carefully check the openings and surrounding conditions that will receive your material. Remember, if the construction is not per the construction documents, it is your responsibility to notify the general contractor in writing. Any discrepancies must be brought to the general contractor's attention before you proceed with the installation.
6. Collect your shop drawings, materials, packing list, and this installation manual. Carefully review parts location, the sequence of installation, when you glaze it, and how you seal it. Installation instructions are of a general nature and may not cover every condition you will encounter. The shop drawings and/or installation manuals were prepared specifically for the product.
7. Any material substitutions must be of equal or greater quality.
8. Make certain that material samples have been sent for compatibility testing for all manufacturer's sealants involved. Make certain that sealants and backer rod have been installed in strict accordance with the manufacturer's recommendations and specifications.
9. System-to-structure fasteners are not supplied by YKK AP. Fasteners called out on shop drawings are to indicate minimum sizes for design loading.
10. If any questions arise concerning YKK AP products or their installation, contact YKK AP for clarification before proceeding.
11. YKK AP window installation is typically completed before drywall, flooring and other products which may still be in process. Take the extra time to wrap and protect the work produced.

INSTALLATION NOTES

12. YKK AP StyleView windows are pre-finished, prefabricated, preassembled, and preglazed products, and must be protected against damage.
13. Concrete, mortar, plaster, muriatic acid and other alkaline and acid based construction and cleaning materials may be very harmful to window hardware and should be removed with water and mild soap immediately or permanent damage or staining of the finishes will occur. A spot test is recommended before any cleaning agent is used, and abrasive type cleaners must never be used.
14. Windows are never to be used as ladders, step stools, scaffolds, scaffold supports, or as pass through openings for materials.
15. All work must start from, and be referenced to benchmarks, offset lines and/or column centerlines established by the architectural drawings and the general contractor.
16. All windows must be installed plumb, square, level and true, and in accordance with approved shop drawings and these installation instructions.
17. Install all windows in accordance with their mark and type per approved shop drawings.
18. Do not use brick wash after windows are installed. Doing so will void the window warranty.
19. Windows should never be stored in an area where temperatures will exceed 140° F. Doing so will void the window warranty.
20. Windows should never be painted. Doing so will void the window warranty.
21. Buildings constructed prior to 1978 may contain lead paint which could be disturbed during replacement. For more information on proper management of lead paint, visit www.epa.gov/lead
22. The glass has been specified by shop drawings and YKK AP is not responsible for conformance with local building codes other than to provide the approved glass. It is the installer's responsibility to ensure final compliance of the glazing with all applicable codes.
23. Check our website, www.ykkap.com, for the latest installation manual update prior to commencing work.

TOOLS YOU'LL NEED

 <p>Tape measure</p>	 <p>Color-matched interior/exterior silicone window and trim sealant</p>
 <p>Level</p>	 <p>House wrap tape</p>
 <p>Power screwdriver and bits</p>	 <p>Felt paper flashing or equivalent (at least 6" wide)</p>
 <p>Galvanized roofing nails or #8 pan head corrosion-resistant screws (capable of penetrating at least 3/4" into the framing structure)</p>	 <p>Flashing (at least 6" wide)</p>
 <p>1/4" Shims</p>	 <p>Rubber mallet or hammer</p>
 <p>Caulk gun</p>	 <p>Remnant fiberglass insulation</p>
 <p>Putty Knife (for Single Hung top sash removal)</p>	

PREPARATION

STEP 1: Prepare the Opening

Note: Installation of fixed picture windows with flanges is the same as that for single hung, except for operation of moveable window sashes that are not on fixed windows.

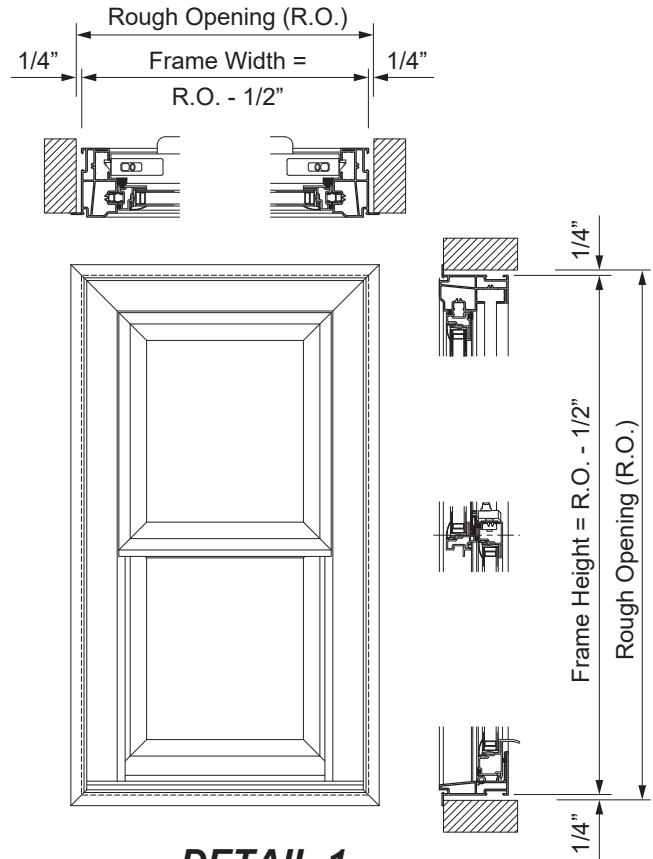
-Ensure the rough opening is 1/2" larger than the window to be installed and that the rough opening is plumb and square. See **Detail 1**.

Note: The frame size of the window does not include any protruding flanges.

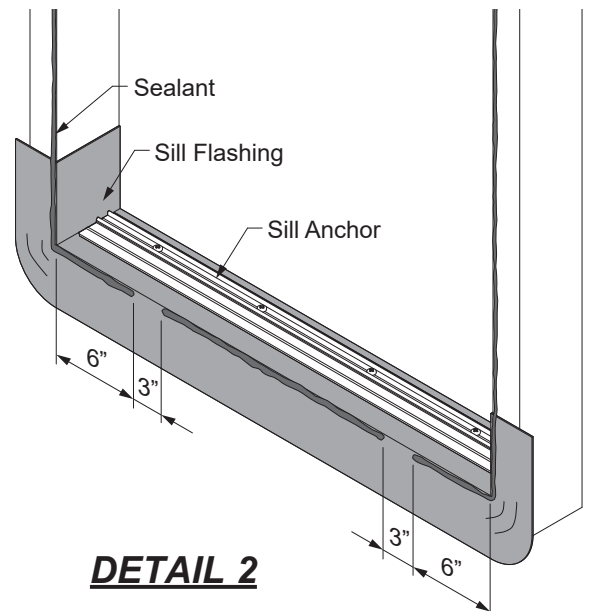
-Close and and lock the sash(es) to help keep the unit square.

-Place the sill anchor plate on the pre-cast sill, and position it approximately 5/16" back from the outside edge of the buck. Shim to level if necessary and secure the sill anchor plate to the pre-cast sill with #10 x 2" Tapcon® masonry fasteners. See **Detail 2**.

-Apply a continuous bead of silicone caulk to the perimeter of the rough opening where the nail fin will make contact (at the edge of the rough opening.) Leave two 3" gaps for weepage at the sill flashing as shown.



DETAIL 1



DETAIL 2

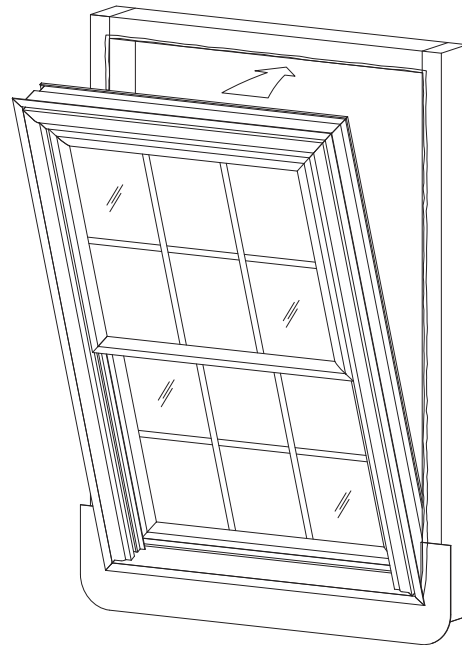
INSTALLATION

STEP 2: Install the Window

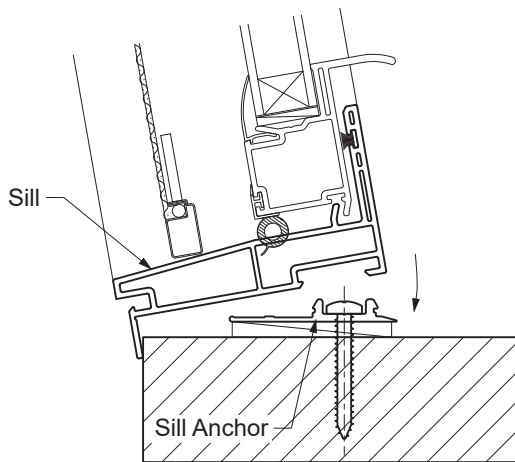
-Set the window into the opening from the outside so that the flange makes contact with the outside surface of the wood buck and pre-cast sill. See **Detail 3**. Make sure the sill anchor plate interlocks with the bottom of the window to assure integrity of the sill under negative and positive pressure. See **Detail 4**.

-Center the window in the opening and check to make sure it is plumb and square. Take diagonal measurements to ensure the unit is square. Opening the bottom sash of the double hung window approximately 1/4" will provide visual confirmation of proper setting, that the reveal between the frame and sash (A & B) are equal the entire width. See **Detail 5**.

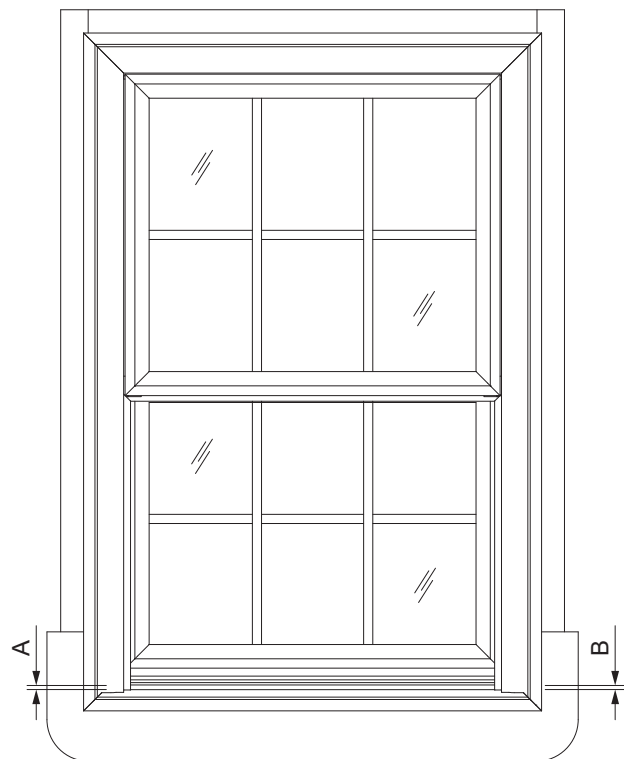
-Shim as required between the rough opening and the window frame at every installation hole locations.



DETAIL 3



DETAIL 4

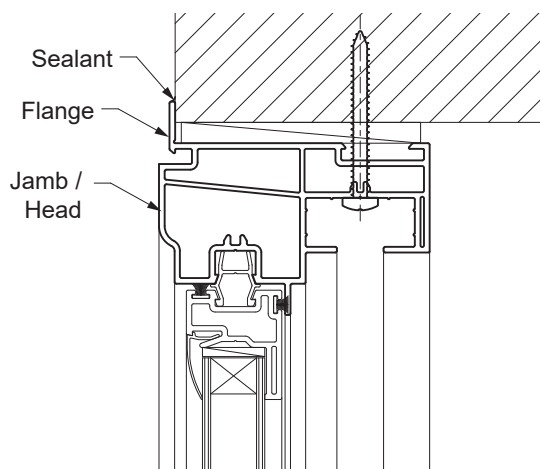


DETAIL 5

INSTALLATION

STEP 2 (Continued)

-Secure the window in the opening through the pre-drilled holes in the head and jambs using fasteners. To access the installation screw holes, use a putty knife to remove the snap-in cover or screw track cover as shown in **Detail 6**. Replace the covers after the screws are set. All fasteners must have a minimum 1-1/2" penetration into the masonry.



DETAIL 6

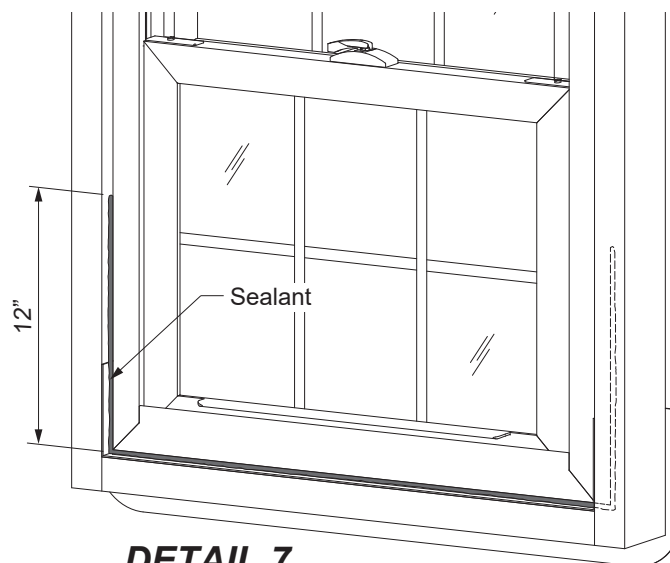
STEP 3: Finishing

-From the exterior, caulk along the flange of the window to ensure a watertight seal as shown in **Detail 6**.

-Operate the window (for single or double hung) to confirm proper installation.

-Apply fiberglass insulation to the cavity between the window and rough opening structure.

-From the inside of the window, apply continuous sealant to the interior perimeter of the window sill and 12" up the jambs as shown in **Detail 7**.



DETAIL 7

Notes:

-Do not use expanding or spray-in foam products. If the installer used one of them, make sure jambs remain straight to ensure the operation of the window is not impeded.

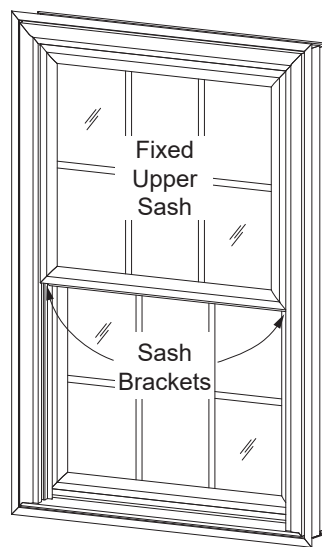
-If using brick or stone exteriors, leave a 1/8" gap from the window to allow for brick and mortar expansion. Use a backer rod and silicone caulk to seal the gap.

ADDENDUM

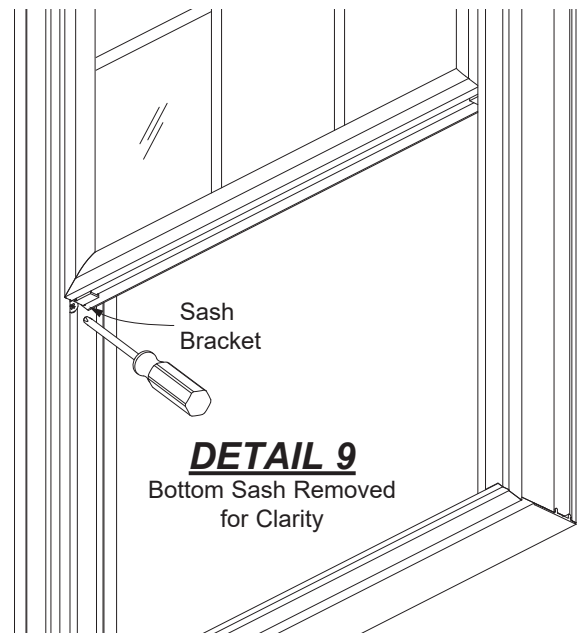
TOP SASH REMOVAL FOR SINGLE HUNG WINDOWS:

-Remove the screw on the sash bracket that holds the upper sash in place on each side. Keep the removed screw for re-installation. The sash brackets are located under the bottom corners of the top sash. The sash brackets will remain on the window frame and can slide down the track toward the sill to provide clearance for sash removal. See **Details 8 & 9**.

Note: Use a putty knife to dislodge the sash brackets. Use of a flat head screwdriver or crowbar can damage the sash or window framing.



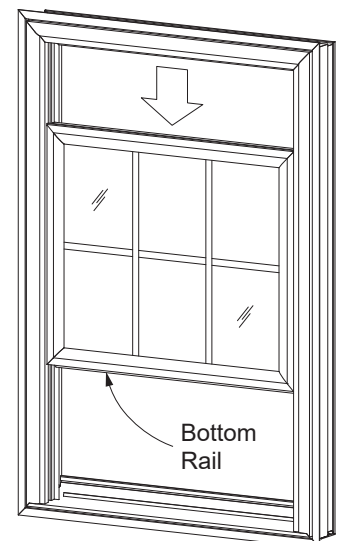
DETAIL 8



-Pulling downward on the bottom rail (meeting rail) will disengage the sash from the internal retention clips holding in place. The sash must be lowered approximately 8" to release it from the jamb retention clips. See **Detail 10**.

Caution: At this point, the sash is disengaged from the frame and requires a hand at the top and bottom to prevent the sash from falling forward.

-To reinstall, reverse the procedures above.



DETAIL 10

 **YKK AP America Inc.**

Headquarters

101 Marietta Street NW
Suite 2100
Atlanta, Georgia 30303

Residential Division

100 YKK AP Way
Macon, Georgia 31216

www.ykkap.com