

StyleView[®]

CLASSIC



Premium Vinyl Windows for New Construction



Designed for the Modern Builder.



Featuring precision-welded corners, a modern frame and unparalleled durability, **StyleView® Classic** is our premium line of residential vinyl windows for new construction. Our StyleView® Classic is crafted to mimic the look of a wood window, with the low maintenance of quality vinyl construction that lasts through the seasons. With an array of options to fit limitless home styles, StyleView® Classic meets the needs of today's builder-delivering function, modern style, and quality performance.

Backed by YKK AP's commitment to service, quality design and continued investment in manufacturing, the StyleView® Classic series is an easy choice for residential builders who seek to offer years of enjoyment and comfort to prospective homeowners.

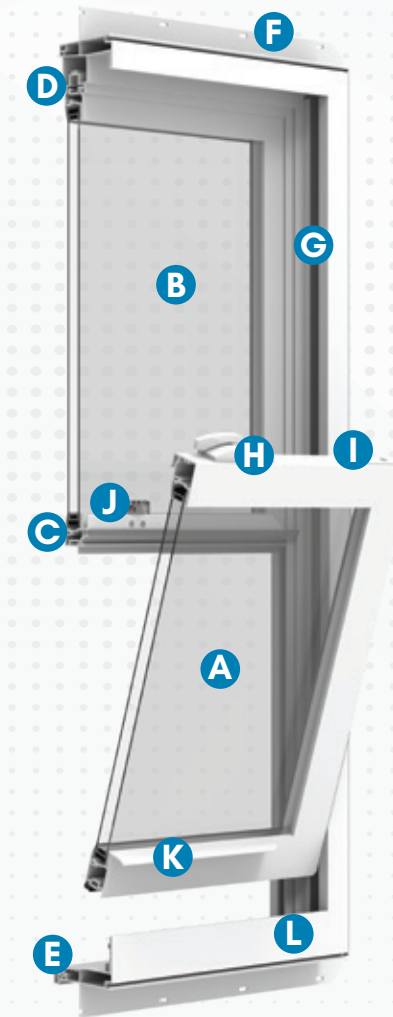


Single-Hung Windows

Window Sizes

- 1 Rough Opening 2 Actual Window Size (frame)
- All dimensions are shown in inches
- Shading indicates window meets 5.7 sq. ft. egress
- Darker shading indicates sizes with tempered glass do not meet egress, these sizes will meet egress with annealed glass
- For twins, double rough opening and for triples, triple rough opening
- Combo units available with integral and factory mulling

1	20"	24"	28"	30"	32"	36"	38"	40"	44"	48"
2	19-1/2"	23-1/2"	27-1/2"	29-1/2"	31-1/2"	35-1/2"	37-1/2"	39-1/2"	43-1/2"	47-1/2"
36"	35-1/2"									
38"	37-1/2"									
44"	43-1/2"									
46"	45-1/2"									
48"	47-1/2"									
50"	49-1/2"									
52"	51-1/2"									
54"	53-1/2"									
60"	59-1/2"									
62"	61-1/2"									
66"	65-1/2"									
72"	71-1/2"									
74"	73-1/2"									



- A 3/4" Insulated Glass:** Low-E and low-conductance spacers are standard for thermal efficiency
- B Removable Top Sash:** Renders double-hung look while providing for simple drywall pass-through and repair
- C Interlocking Sash Connection:** Keeps structural performance and seals window
- D Double Weather Stripping:** Optimum protection against air, water, noise, and dust infiltration
- E Sloped Sill and Projected Nose:** Fusion-welded for architecturally correct look and improved water rating
- F Integral 1" Nail Fin:** Provides easy, user-friendly installation to the home
- G Constant-Force Teflon® Coated Balance:** Stainless steel and corrosion-resistant which never needs adjustment
- H Proprietary Cam Lock:** Provides tight weather seal and distinct styling with concealed fasteners
- I Flush-Mounted Tilt Latches:** Aesthetically designed to meet structural loads
- J Corrosion-Resistant Hardware:** For lasting durability in the harshest environments
- K Integral Lift Rail:** Enables easy sash operation
- L Fusion-Welded Frame and Sash:** Enhances structural integrity and energy efficiency

Finishes Available:



Double-Hung Windows

Window Sizes

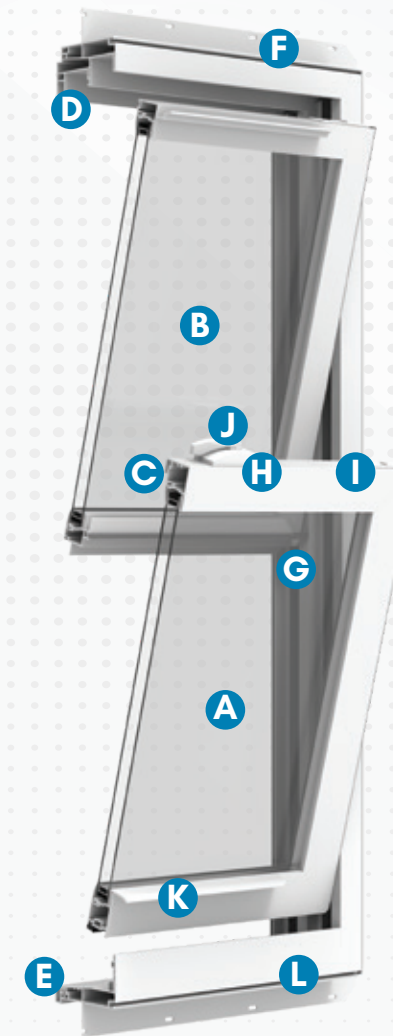
1 Rough Opening 2 Actual Window Size (frame)

- All dimensions are shown in inches
- Shading indicates window meets 5.7 sq. ft. egress
- Darker shading indicates sizes with tempered glass do not meet egress, these sizes will meet egress with annealed glass
- For twins, double rough opening and for triples, triple rough opening
- Combo units available with integral and factory mulling

1	20"	24"	28"	30"	32"	36"	38"	40"	44"	48"
2	19-1/2"	23-1/2"	27-1/2"	29-1/2"	31-1/2"	35-1/2"	37-1/2"	39-1/2"	43-1/2"	47-1/2"
36"										
38"										
44"										
46"										
48"										
50"										
52"										
54"										
60"										
62"										
66"										
72"										



Finishes Available:



- A 3/4" Insulated Glass:** Low-E and low-conductance spacers are standard for thermal efficiency
- B Tilting Top and Bottom Sashes:** Easier to clean and remove with more air flow
- C Interlocking Sash Connection:** Keeps structural performance and seals window
- D Double Weather Stripping:** Optimum protection against air, water, noise, and dust infiltration
- E Sloped Sill and Projected Nose:** Fusion-welded for architecturally correct look and improved water rating
- F Integral 1" Nail Fin:** Provides easy, user-friendly installation to the home
- G Constant-Force Teflon® Coated Balance:** Stainless steel and corrosion-resistant which never needs adjustment
- H Proprietary Cam Lock:** Provides tight weather seal and distinct styling with concealed fasteners
- I Flush-Mounted Tilt Latches:** Aesthetically designed to meet structural loads
- J Corrosion-Resistant Hardware:** For lasting durability in the harshest environments
- K Integral Lift Rail:** Enables easy sash operation
- L Fusion-Welded Frame and Sash:** Enhances structural integrity and energy efficiency

For more window sizes and thermal specs, please enter the product in:



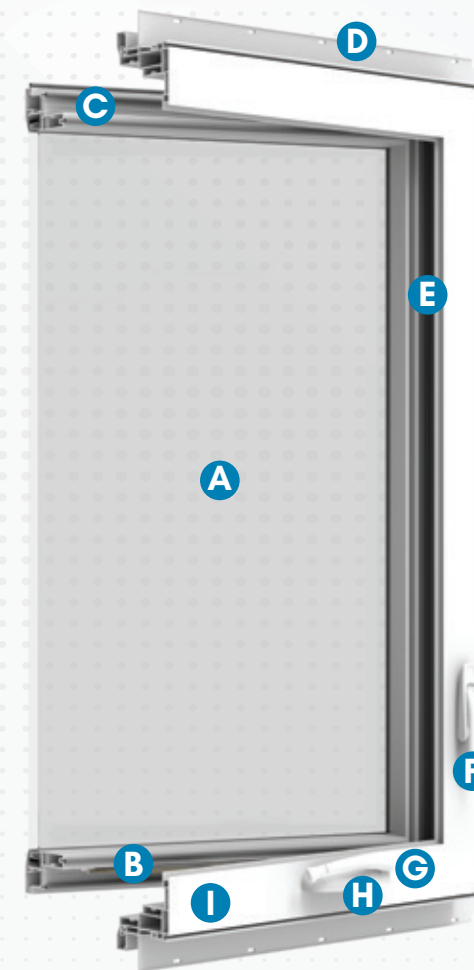
Casement Windows

Window Sizes

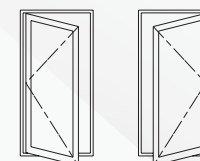
1 Rough Opening 2 Actual Window Size

- All dimensions are shown in inches
- Lighter shading indicates window meets 5.7 sq. ft. egress with standard hinges
- Darker shading indicates egress compliance if egress hinges are specified. Casements with standard hinges **cannot** be converted to egress compliance
- For twins, double rough opening and for triples, triple rough opening
- Combo units available with integral and factory mulling

1	18"	20"	24"	28"	30"	36"	40"
2	17-1/2"	19-1/2"	23-1/2"	27-1/2"	29-1/2"	35-1/2"	39-1/2"
24"	23-1/2"						
36"	35-1/2"						
42"	41-1/2"						
48"	47-1/2"						
52"	51-1/2"						
60"	59-1/2"						
66"	65-1/2"						
72"	71-1/2"						
76"	75-1/2"						
80"	79-1/2"						



- A 3/4" Insulated Glass:** Low-E and low-conductance spacers are standard for thermal efficiency
- B Hinges** Pivots up to 90 degrees which allows exterior glass to be cleaned from the inside of the home
- C Multi-Chamber Weather Stripping:** Optimum protection against air, water, noise, and dust infiltration
- D Integral 1-1/4" Nail Fin:** Provides easy, user-friendly installation to the home
- E Screen Track** Allows easy installation and removal of the screen from inside the home
- F Multi-Point Lock:** Single handle engages multiple lock points to provide an air and watertight seal by compressing the sash securely to the frame
- G Powder-Coated Hardware (Optional Stainless Steel)** Premium painted, corrosion-resistant hardware
- H Folding Operator Handle:** Rigorously tested handle that provides a clean look and avoids interference with window treatments
- I Fusion-Welded Frame and Sash:** Enhances structural integrity and energy efficiency



Casement Vent Layout

When ordering, please specify left or right hinge configuration as viewed from the outside.



Finishes Available:



White Tan Stone Bronze Black

For more window sizes and thermal specs, please enter the product in:



Awning Windows

- A 3/4" Insulated Glass:**
Low-E and low-conductance spacers are standard for thermal efficiency
- B Hinges**
Pivots up to 45 degrees which allows exterior glass to be cleaned from the inside of the home
- C Multi-Chamber Weather Stripping:**
Optimum protection against air, water, noise, and dust infiltration
- D Integral Nail Fin:**
Provides easy installation
- E Screen Track**
Allows easy installation and removal of the screen from inside the home
- F Multi-Point Lock:**
Single handle engages multiple lock points to provide an air and watertight seal by compressing the sash securely to the frame
- G Powder-Coated Hardware (Optional Stainless Steel)**
Premium painted, corrosion-resistant hardware
- H Folding Operator Handle:**
Rigorously tested handle that provides a clean look and avoids interference with window treatments
- I Fusion-Welded Frame and Sash:**
Enhances structural integrity and energy efficiency



Window Sizes

- 1 Rough Opening
- 2 Actual Window Size
- All dimensions are shown in inches
- Height for multiples: multiply single rough opening by the number of windows you wish to stack
- Width for twins, double rough opening and the width for triples, triple rough opening
- Combo units available with factory mulling

1		24"	36"	40"	48"	56"	60"
	2	23-1/2"	35-1/2"	39-1/2"	47-1/2"	55-1/2"	59-1/2"
18"	17-1/2"						
20"	19-1/2"						
24"	23-1/2"						
28"	27-1/2"						
36"	35-1/2"						

Finishes Available:

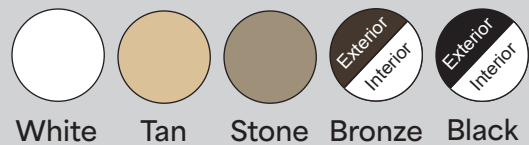


For more window sizes and thermal specs, please enter the product in:





Finishes Available:



Window Sizes

- ① Rough Opening ② Actual Window Size
- All dimensions are shown in inches
- Units are available with factory mulling
- For twins, double rough opening and for triples, triple rough opening
- Combo units available with factory mulling

Picture/Transom Windows

①	12"	18"	20"	24"	30"	32"	36"	38"	40"	44"	48"	54"	60"	72"	80"
②	11-1/2"	17-1/2"	19-1/2"	23-1/2"	29-1/2"	31-1/2"	35-1/2"	37-1/2"	39-1/2"	43-1/2"	47-1/2"	53-1/2"	59-1/2"	71-1/2"	79-1/2"
36"															
38"															
44"															
46"															
48"															
50"															
52"															
54"															
60"															
62"															
66"															
72"															
74"															

Also available at a maximum size of (in inches): 96x72 or 72x96.

For more window sizes and thermal specs, please enter the product in:





Finishes Available:

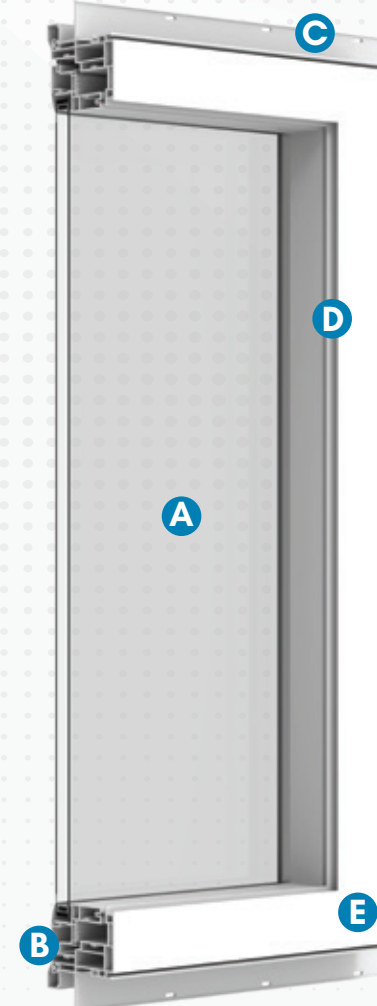


Casement Picture Windows

Window Sizes

1 Rough Opening 2 Actual Window Size

- All dimensions are shown in inches
- For twins, double rough opening and for triples, triple rough opening
- Combo units available with integral and factory mulling



- A 3/4" Insulated Glass:**
Low-E and low-conductance spacers are standard for thermal efficiency
- B Multi-Chamber Weather Stripping:**
Optimum protection against air, water, noise, and dust infiltration
- C Integral Nail Fin:**
Provides easy installation
- D Screen Track**
Allows easy installation and removal of the screen from inside the home
- E Fusion-Welded Frame and Sash:**
Enhances structural integrity and energy efficiency

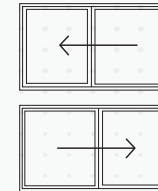
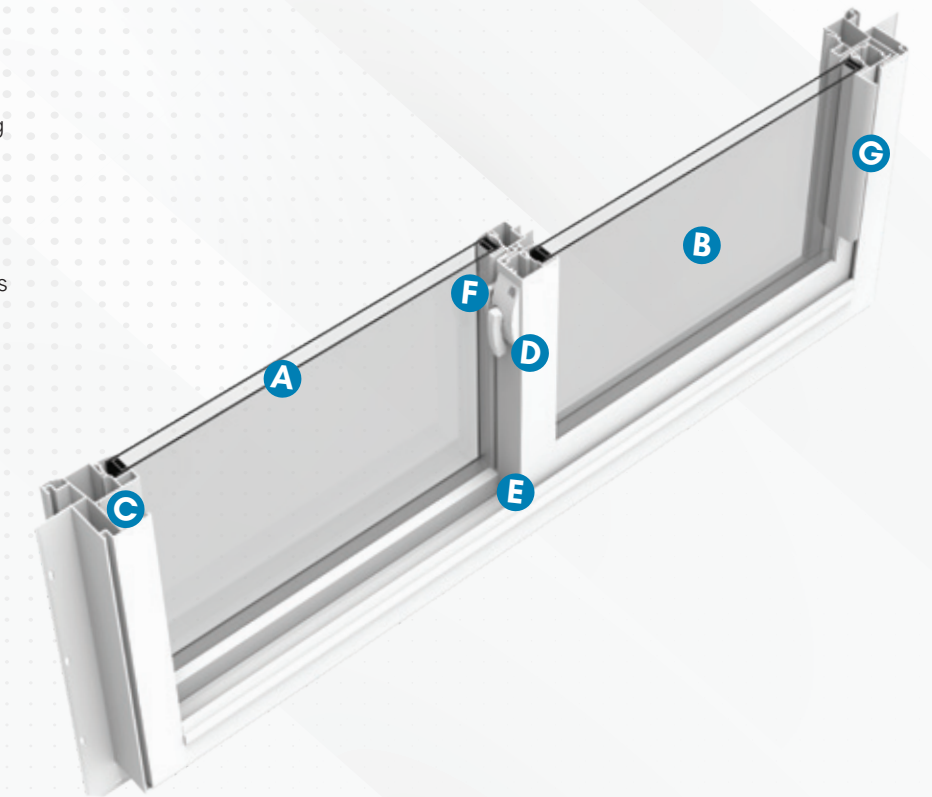
		20"	24"	28"	30"	36"	48"	60"
		19-1/2"	23-1/2"	27-1/2"	29-1/2"	35-1/2"	47-1/2"	59-1/2"
36"	35-1/2"							
	42"							
48"	47-1/2"							
	52"							
60"	59-1/2"							
	66"							
72"	71-1/2"							
	80"							

For more window sizes and thermal specs, please enter the product in:



Slider Windows

- A 3/4" Insulated Glass:**
Low-E and low-conductance spacers are standard for thermal efficiency
- B Removable Sash:**
Providing for simple economical repair and easier cleaning from inside the home
- C Double Weather Stripping:**
Optimum protection against air, water, noise, and dust infiltration
- D Proprietary Cam Lock:**
Provides tight weather seal and distinct styling with concealed fasteners
- E Brass Rollers:**
For smooth, trouble-free slider operation
- F Corrosion-Resistant Hardware:**
Lasting durability in the harshest environments
- G Integral Pull Handle:**
Enables easy horizontal sash operation



Slider Vent Layout

When ordering, please specify left or right configuration as viewed from the outside.

Window Sizes

- ① Rough Opening
- ② Actual Window Size

- All dimensions are shown with inches
- Shading indicates window meets or will meet 5.7 sq. ft. egress

For more window sizes and thermal specs, please enter the product in:



①	24"	36"	48"	50"	54"	60"	64"	72"
②	23-1/2"	35-1/2"	47-1/2"	49-1/2"	53-1/2"	59-1/2"	63-1/2"	71-1/2"
24"								
36"								
42"								
44"								
48"								
50"								
54"								
60"								

Finishes Available:



White Tan Stone



Geometric Windows



Finishes Available:



Circle



Four Lite Nine Lite

Size Code	Actual Window Size
SVCR2424	23-1/2" x 23-1/2"
SVCR3030	29-1/2" x 29-1/2"
SVCR3636	35-1/2" x 35-1/2"
SVCR4848	47-1/2" x 47-1/2"

Octagon



Nine Lite

Size Code	Actual Window Size
SVOC2424	23-1/2" x 23-1/2"
SVOC3232	31-1/2" x 31-1/2"
SVOC3636	35-1/2" x 35-1/2"
SVOC4848	47-1/2" x 47-1/2"

Oval



Colonial Four Lite

Size Code	Actual Window Size
SVOV2436	23-1/2" x 35-1/2"
SVOV3656	35-1/2" x 55-1/2"

Half-Oval



Starburst Sunburst

Size Code	Actual Window Size
SVHO1824	17-1/2" x 23-1/2"
SVHO2836	27-1/2" x 35-1/2"

Half-Gothic



Starburst

Size Code (left)	Size Code (right)	Actual Window Size
SVHGL1854	SVHGR1854	17-1/2" x 53-1/2"
SVHGL2260	SVHGR2260	21-1/2" x 59-1/2"
SVHGL2666	SVHGR2666	25-1/2" x 65-1/2"
SVHGL2872	SVHGR2872	27-1/2" x 71-1/2"

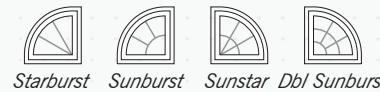
Gothic



One Stem Tracery Two Stem Tracery

Size Code	Actual Window Size	Size Code	Actual Window Size
SVG01836	17-1/2" x 35-1/2"	SVG02856	27-1/2" x 55-1/2"
SVG02040	19-1/2" x 39-1/2"	SVG03060	29-1/2" x 59-1/2"
SVG02244	21-1/2" x 43-1/2"	SVG03672	35-1/2" x 71-1/2"
SVG02448	23-1/2" x 47-1/2"		

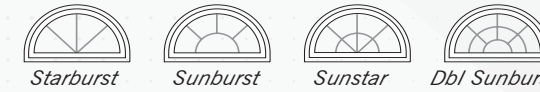
Quarter-Round



Starburst Sunburst Sunstar Dbl Sunburst

Size Code (left)	Size Code (right)	Actual Window Size
SVQRL20	SVQRR20	19-1/2" x 19-1/2"
SVQRL24	SVQRR24	23-1/2" x 23-1/2"
SVQRL28	SVQRR28	27-1/2" x 27-1/2"
SVQRL30	SVQRR30	29-1/2" x 29-1/2"
SVQRL32	SVQRR32	31-1/2" x 31-1/2"
SVQRL36	SVQRR36	35-1/2" x 35-1/2"
SVQRL48	SVQRR48	47-1/2" x 47-1/2"

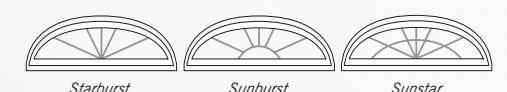
Half-Round



Starburst Sunburst Sunstar Dbl Sunburst

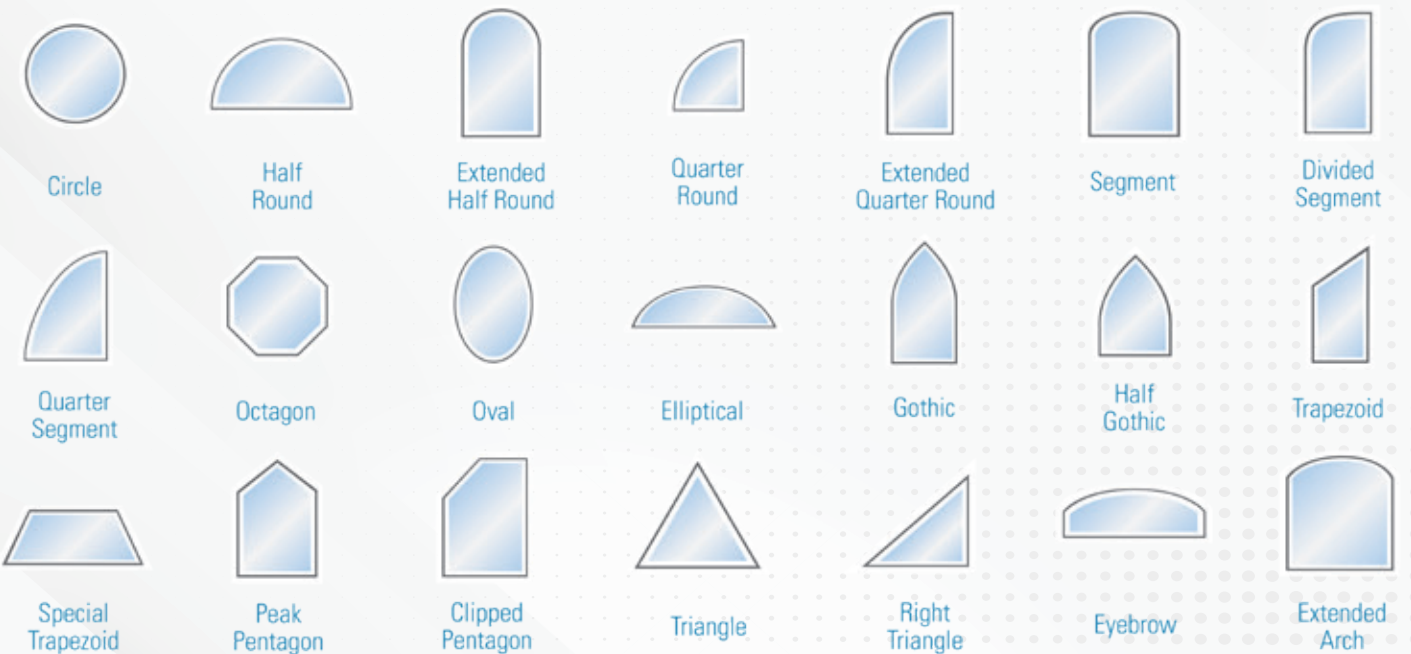
Size Code	Actual Window Size	Size Code	Actual Window Size
SVHR2412	23-1/2" x 11-1/2"	SVHR4422	43-1/2" x 21-1/2"
SVHR2814	27-1/2" x 13-1/2"	SVHR4824	47-1/2" x 23-1/2"
SVHR3015	29-1/2" x 14-1/2"	SVHR5427	53-1/2" x 26-1/2"
SVHR3216	31-1/2" x 15-1/2"	SVHR5628	55-1/2" x 11-1/2"
SVHR3618	35-1/2" x 17-1/2"	SVHR6030	59-1/2" x 29-1/2"
SVHR3819	37-1/2" x 18-1/2"	SVHR6432	63-1/2" x 31-1/2"
SVHR4020	39-1/2" x 19-1/2"	SVHR7236	71-1/2" x 35-1/2"

Elliptical



Starburst Sunburst Sunstar

Size Code	Actual Window Size
SVEP6018	59-1/2" x 17-1/2"
SVEP7220	71-1/2" x 19-1/2"



StyleView[®] CLASSIC

Experience the difference.

- Thin, modern profile
- Design options to complement any home
- Removable top sash for hung windows
- Sloped sill nose to mimic a wood look
- Ranked top 3 in brand quality*
- Windows Integrate with a wide variety of building siding materials

*Extracted from the 2023 Zonda Builder Use Survey



Typical Vinyl Window

Precision-welded corners for a clean aesthetic

Multi-Family Housing

StyleView Classic[®] is an ideal choice for multi-family units. Both homeowners and residents can benefit from the low maintenance, high performance and lasting comfort of our StyleView[®] windows.



Window Combinations

Combo units can be designed with most window types. For a streamlined look, opt for integral mullions. Fully fabricated at our plant, the integral mullion option allows you to double or triple transom and hung windows.

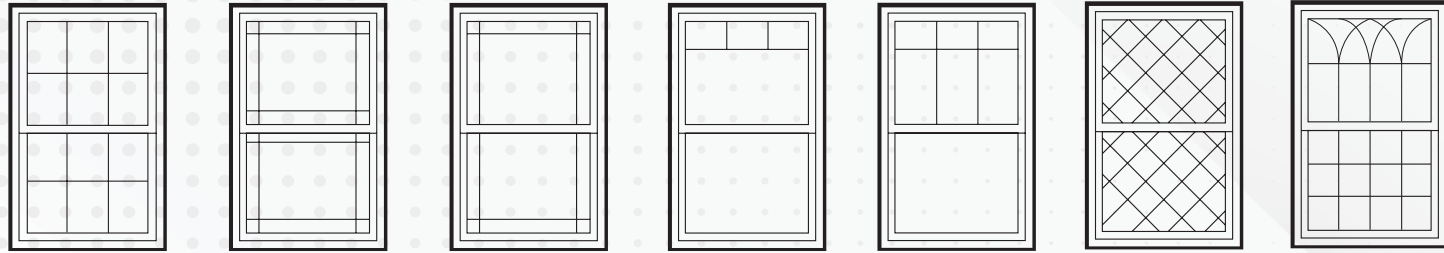
Windows with Integral Mullions

Window Combo Type	Minimum Size (Rough) (in)	Maximum Size (Rough) (in)	Minimum Size (Actual) (in)	Maximum Size (Actual) (in)
Twin Single-Hung	40" x 36"	72" x 60"	39-1/2" x 35-1/2"	71-1/2" x 59-1/2"
Triple Single Hung	60" x 36"	108" x 60"	59-1/2" x 35-1/2"	107-1/2" x 59-1/2"
Twin Double-Hung	40" x 36"	72" x 72"	39-1/2" x 35-1/2"	71-1/2" x 71-1/2"
Triple Double-Hung	60" x 36"	108" x 72"	59-1/2" x 35-1/2"	107-1/2" x 71-1/2"
Twin Transom	20" x 16"	72" x 24"	19-1/2" x 15-1/2"	71-1/2" x 23-1/2"
Triple Transom	30" x 16"	108" x 24"	29-1/2" x 15-1/2"	107-1/2" x 23-1/2"



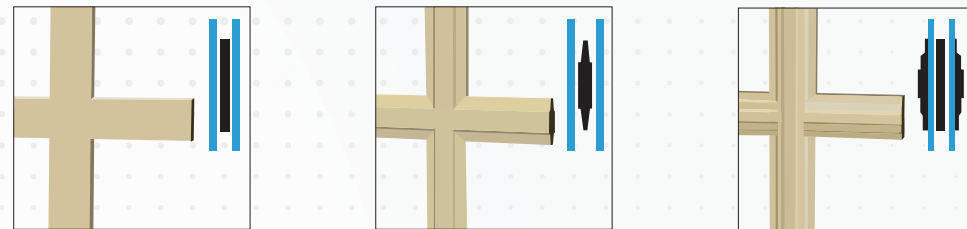
Options and Specifications

Grid Patterns



Colonial Prairie Perimeter Prairie Valance Valance XT Diamond Tracery

Grid Styles (Face Width: 7/8")



Flat Grids Between Glass (Flat GBG) Sculpted Grids Between Glass (Sculpted GBG) Simulated Divided Lites (SDL)

Glass Energy Efficiency



270 Low-E (Standard)
Reduces heat gain by 50% and blocks 86% of the sun's UV rays



366 Low-E (Premium)
Reduces heat gain by 64% and blocks 95% of the sun's UV rays

Glass Appearance



Standard Clear Grey Tint Bronze Tint Rain Pattern Obscure Pattern

Performance Specifications

Window Type	Size (in)	Air Infiltration (@ 1.57 PSF)	Water Infiltration (PSF)	Structural (PSF)	Structural Class	Florida Certification Number
Single-Hung	36" x 80"	0.11	7.50	37.5	DP25	8114
	48" x 72"	0.10	7.50	37.5	DP25	8114
	36" x 72"	0.10	7.50	52.5	DP35	8114
	48" x 72"	0.10	7.50	75.0	DP50	8114
Twin Single-Hung*	72" x 72"	0.11	5.25	52.5	DP35	8114
Triple Single-Hung*	108" x 72"	0.11	5.25	52.5	DP35	8114
Twin Single-Hung*	72" x 60"	0.11	7.50	75.0	DP50	8114
Triple Single-Hung*	108" x 60"	0.11	7.50	75.0	DP50	8114
Double-Hung	36" x 72"	0.11	7.50	37.5	DP25	7533
	48" x 72"	0.10	7.50	52.5	DP35	7533
	44" x 72"	0.10	7.50	75.0	DP50	7533
Twin Double-Hung*	80" x 72"	0.11	5.25	52.5	DP35	7533
Triple Double-Hung*	120" x 72"	0.11	5.25	52.5	DP35	7533
Twin Double-Hung*	72" x 72"	0.11	7.50	75.0	DP50	7533
Triple Double-Hung*	108" x 72"	0.11	7.50	75.0	DP50	7533
Casement	40" x 80"	0.01	7.50	75.0	DP50	10828
Awning	60" x 36"	0.01	7.50	75.0	DP50	11538
Slider	72" x 60"	0.12	6.00	60.0	DP40	12286
Picture	72" x 96"	0.01	7.50	52.5	DP35	7829
	80" x 80"	0.01	7.50	75.0	DP50	7829

* Continuous Head & Sill Integral Mullion

Glazing	STC	OITC
DS/TS	0.32	0.28
Silent Glass	0.33	0.29

ENERGY STAR® 7.0 Criteria

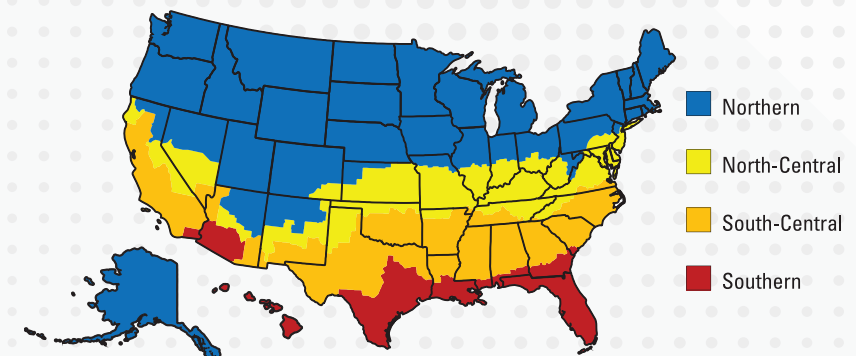
Climate Zone	U-Factor*	SHGC**	Performance
Northern	≤ 0.22	≥ 0.17	Prescriptive
	= 0.23	≥ 0.35	Equivalent Energy
	= 0.24		
	= 0.25		
	= 0.26		
North-Central	≤ 0.25	≤ 0.40	
South-Central	≤ 0.28	≤ 0.23	
Southern	≤ 0.32	≤ 0.23	

Glazing Level	U-Factor*	SHGC**
Opaque	≤ 0.17	No Rating
≤ 1/2-Lite	≤ 0.23	≤ 0.23
> 1/2-Lite	≤ 0.26	Northern ≤ 0.40
		North-Central ≤ 0.40
		South-Central ≤ 0.23
	≤ 0.28	Southern ≤ 0.23

* Measured in: Btu/ft² • hr • F°
** Fraction of incident solar radiation



ENERGY STAR is a registered trademark of the U.S. Environmental Protection Agency.



■ Northern
■ North-Central
■ South-Central
■ Southern



*We Build a Better Society
Through Architectural Products*