

YSD 600 T/TH Sliding Door System



Installation Manual

TABLE OF CONTENTS

Installation Notes Page ii & iii

PARTS DESCRIPTION

Framing Members Page 1 & 2

Accessories Page 2 to 4

ASSEMBLE DOOR PANELS

Install Glazing Gaskets for Non-Impact & Small Missile Page 5

Install Glazing Spacers & Side Blocks for Large Missile..... Page 6

Glazing Sliding Panels..... Page 7 to 9

Apply Structural Silicone for Large Missile Page 9

ASSEMBLE SLIDING DOOR FRAME

Assemble Sliding Door Frame..... Page 10

Seal Sliding Door Frame Page 11

INSTALL SLIDING DOOR FRAME

Anchor Sliding Door Frame Page 12

Apply Perimeter Sealant..... Page 13

INSTALL DOOR PANELS

Install Fixed Panels Page 14 to 16

Attach Fixed Panel Sill & Head Fillers..... Page 17

Install Sliding Panels Page 18

Adjust Sliding Panels..... Page 19

INSTALL VERTICAL SCREEN TRACKS Page 20

CALCULATING GLASS SIZES Page 21

SIZE LIMITATIONS Page 22

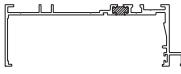
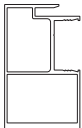
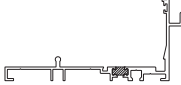
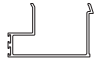
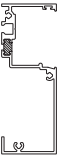
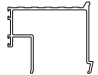


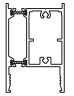

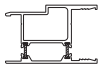

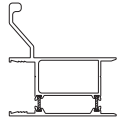

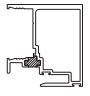
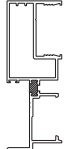
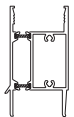

INSTALLATION NOTES

1. Do not drop, roll or drag boxes of aluminum framing. Move and stack boxes with proper support to prevent distortion. If fork lifts are used, be especially careful about striking the boxes when lifting or moving.
2. Store in a dry, limited access area. If rain exposure, condensation or any water contact is likely, then all packaging material should be removed. Wet packaging materials may permanently discolor or stain aluminum finishes and paints.
3. All materials should be checked for quantity and quality upon receipt, YKK AP must be notified immediately of any discrepancies in shipment. Check to make sure that you have the required shims, sealants, supplies, and tools necessary for the installation.
4. Carefully check the openings and surrounding conditions that will receive your material. If the construction is not per the construction documents, it is your responsibility to notify the general contractor in writing. Any discrepancies must be brought to the general contractor's attention before you proceed with the installation.
5. Collect your shop drawings, materials, packing list, and this installation manual. Carefully review parts location and the sequence of installation, including glazing and sealing. Installation instructions are of a general nature and may not cover every condition you will encounter. The shop drawings and/or installation manuals were prepared specifically for the product.
6. Any material substitutions must be of equal or greater quality.
7. Make certain that material samples have been sent for compatibility testing for all manufacturer's sealants involved. Make certain that sealants have been installed in strict accordance with the manufacturer's recommendations and specifications.
8. Consult sealant manufacture for proper sealant and backer rod selection.
9. Remember to isolate, in a approved manner, all aluminum from uncured masonry or other incompatible materials.
10. System-to-structure fasteners are not supplied by YKK AP. Fasteners called out on shop drawings are to indicate minimum sizes for design loading.
11. If any questions arise concerning YKK AP products or their installation, contact YKK AP Technical Center for clarification before proceeding.

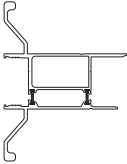

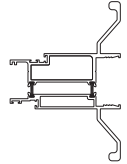

INSTALLATION NOTES

12. YKK AP sliding door installation is typically completed before drywall, flooring and other products have been completely installed. Take the extra time to wrap and protect the installed material.
13. YKK AP Model YSD 600 T/TH sliding doors are prefinished and prefabricated, sometimes preassembled, and must be protected against damage.
14. Concrete, mortar, plaster, muriatic acid and other alkaline and acid based construction and cleaning materials may be very harmful to finishes and should be removed with water and mild soap immediately or permanent damage or staining of the finishes will occur. A spot test is recommended before any cleaning agent is used. Abrasive type cleaners must never be used.
15. All work must start from, and be referenced to benchmarks, offset lines and/or column centerlines established by the architectural drawings and the general contractor.
16. All doors must be installed plumb, square, level, and true, and in accordance with approved shop drawings and these installation instructions.
17. Glass and glazing building codes governing the design and use of products vary widely. YKK AP America Inc. does not control the selection of products, product configurations, operating hardware and function, or glazing materials, and YKK AP assumes no responsibility for these design considerations. It is the responsibility of the design professional, owner, architect, specifier, general contractor, and the installer to make these selections in strict accordance with all applicable codes.
18. Check our website, www.ykkap.com, for the latest installation manual update prior to commencing work.


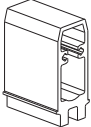

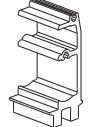
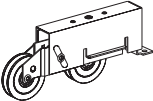
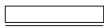
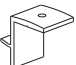



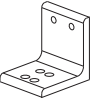



YSD 600 T/TH FRAMING MEMBERS

 Head	BE9-6201	 Exterior Interlock Stile	E9-6210
 Sill	BE9-6202	 Head Adaptor/Filler For Sliding Panel	E9-6211
 Fixed Jamb	BE9-6203	 Sill Adaptor/Filler For Sliding Panel	E9-6212
 Lock Jamb	BE9-6204	 Head Adaptor/Reinforcement	E9-6213
 Top/Bottom Rail	BE9-6205	 Head Adaptor For Fixed Panel	E9-6214
 Fixed Stile	BE9-6206	 Vertical Screen Track	E9-4023
 Lock Stile	BE9-6207	 Screen Track Base	E9-6027
 Interior Interlock Stile	BE9-6208	 Lock Meeting Stile For OXO	BE9-6224
 Fixed Bottom Rail	BE9-6209	 Lock Meeting Stile Cover For OXO	E9-6231

YSD 600 T/TH FRAMING MEMBERS





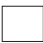


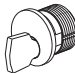



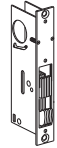


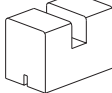




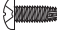
 <p>Lock Meeting Stile</p>	<p>BE9-6225</p>	 <p>Aluminum Reinforcement For Lock Meeting Stile BE9-6224</p>	<p>E9-6293*</p>
 <p>Latch Meeting Stile</p>	<p>BE9-6226</p>	 <p>Aluminum Reinforcement For Interior Interlock Stile BE9-6208</p>	<p>E9-6294*</p>

YSD 600 TH ACCESSORIES

 <p>Track Cover Stainless Steel</p>	<p>E1-1601*</p>	 <p>Reinforcement Clip For OXXO Lock Stile</p>	<p>E1-1628*</p>
 <p>Lock Strike/Keeper</p>	<p>E1-1618*</p>	 <p>Reinforcement Clip For OXXO Latch Stile</p>	<p>E1-1629*</p>
 <p>Ball Bearing Rollers Stainless Steel</p>	<p>E1-1620*</p>	 <p>Setting Block For Non-Impact & Small Missile Panels</p>	<p>E2-0177</p>
 <p>Fixed Panel Stopper Attach at Head</p>	<p>E1-1624</p>	 <p>Setting/Side Block For Large Missile Panels</p>	<p>E2-0178</p>
 <p>Sliding Guide</p>	<p>E1-1625*</p>	 <p>Side Block For Large Missile Panels</p>	<p>E2-0134</p>
 <p>Fixed Panel Anchor Clip Attach at Sill</p>	<p>E1-1626</p>	 <p>Airtight Gasket For Frame Head & Sill</p>	<p>E2-0051*</p>
 <p>Lock Strike/Keeper For OXXO</p>	<p>E1-1627*</p>	 <p>Pile Weathering</p>	<p>E2-0712*</p>


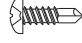


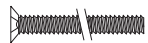






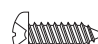



* Parts assembled to door/frame at the factory.

YSD 600 T/TH ACCESSORIES

	Wedge Gasket For Securing Fixed Panel to Frame	E2-0671		.258 Dia. Plastic Rivet	E3-1165*
	Exterior Glazing Gasket For Glazing Large Missile Panels	E2-0361		Screw Cap	K3-3004
	Interior Glazing Spacer For Glazing Large Missile Panels, 3/8" F. C.	E2-0744		Recessed Pull Handle	3K1-1234*
	Meeting Stile Gasket For OXXO Sliding Panels	E2-0740*		Thumbturn Cylinder	H-4204*
	Panel Glazing Gasket For Non-Impact & Small Missile 1" Insulated Glazing	E2-0742		Cylinder Trim Ring For Thumbturn Cylinder	P-48530*
	Panel Glazing Gasket For Non-Impact & Small Missile 1-3/16" Insulated Glazing	E2-0741		MS Lock Hookbolt 1-1/2" Backset	P-2101-SS*
	Jamb Bumper	E2-0705*		Face Plate For Hookbolt Lock	P-33118*
	Head/Sill Bumper	E2-0709*		#8-32 x 1/2" Type F FHTCS, Stainless Steel For Attachment of Bottom Block E1-1605	FF-0808-SS*
	Anti-Lift Block	E3-1162*		#8 x 3/8" Type AB PHSMS, Stainless Steel For Attachment of Screen Track	PC-0806-SS*
	Shim For Anti-Lift Block	E3-1164*		#8-32 x 1/2" Type F PHTCS, Stainless Steel For Attachment of Ball Bearing Roller E1-1620	PF-0808-SS*

* Parts assembled to door/frame at the factory.

YSD 600 T/TH ACCESSORIES

 <p>#8-32 x 1" Type F PHTCS, Stainless Steel For Attachment of Anti-Lift Block at Head</p>	<p>PF-0816 -SS*</p>	 <p>#10 x 5/8" PHTS (Tek) Stainless Steel For Attachment of Aluminum Reinforcing</p>	<p>PS-1010 -SS*</p>
 <p>#8-32 x 3/8" FHMS Stainless Steel For Attachment of Sliding Guide & Face Plate</p>	<p>UM-0806-SS*</p>	 <p>#12 x 1" Type AB PHSMS, Stainless Steel For Attaching E1-1628 & E1-1629 Reinforc. Clips</p>	<p>PC-1216 -SS</p>
 <p>#10-32 x 2-1/2" FHMS For Attachment of MS Lock to Lock Stile</p>	<p>FN-1040 -SS*</p>	 <p>#12 x 1-1/4" Type AB PHSMS, Stainless Steel For Frame & Panel Assembly</p>	<p>PC-1220 -SS</p>
 <p>#10 x 1" Type A PHSMS, Stainless Steel For Attachment of Sill Adaptor E9-6212</p>	<p>PA-1016 -SS</p>	 <p>#12 x 1-1/2" Type AB PHSMS, Stainless Steel For Attaching E1-1629 Reinforcement Clip</p>	<p>PC-1224 -SS</p>
 <p>#10 Self Sealing Washer, Stainless Steel For Use with PA-1016-SS</p>	<p>P-18786 -SS</p>	 <p>#12-24 x 1-1/4" Type F PHTCS, Stainless Steel For Attachment of Strike</p>	<p>PF-1220 -SS*</p>
 <p>#10 x 1-1/4" Type AB PHSMS, Stainless Steel For Attachment of Head & Sill Bumpers E2-0709</p>	<p>PC-1020 -SS*</p>	 <p>#14 x 3/4" Type AB PHSMS, Stainless Steel For Anchor Clip E1-1626 to Sill Attachment</p>	<p>PC-1412-SS</p>
 <p>#10-32 x 1/2" Type F PHTCS, Stainless Steel For Attachment of Head Adaptors & Panel Stopper</p>	<p>PF-1008 -SS*</p>	 <p>#1/4 x 1/2" PHSMS Stainless Steel, For Meeting Stile to Anchor Clip E1-1626 Attachment</p>	<p>PM-2508-SS</p>
 <p>#10-24 x 3/4" Type F PHTCS, Stainless Steel For Attachment of Jamb Bumper E2-0705</p>	<p>PF-1012 -SS*</p>		

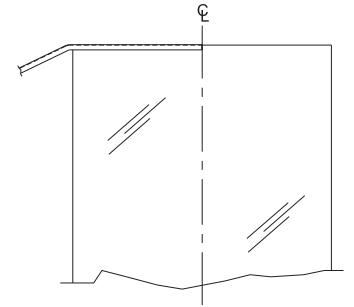
* Parts assembled to door/frame at the factory.

ASSEMBLE SLIDING& FIXED PANELS

STEP 1A

INSTALL GLAZING GASKETS (NON-IMPACT & SMALL MISSILE PANELS ONLY)

- Lay glass on flat surface with access to all four edges (i.e. lay glass on sawhorses).
- Locate the roll of gasket supplied with the sliding door package.
- Add up the total perimeter for each lite of glass:
 $(2 \times \text{Width}) + (2 \times \text{Height})$
 Ex.: A unit 34" wide by 76" tall would have 220" total.
- Cut the gasket to the length determined above for each lite plus 6".
- Begin by installing the gasket at the center of the top of each lite.



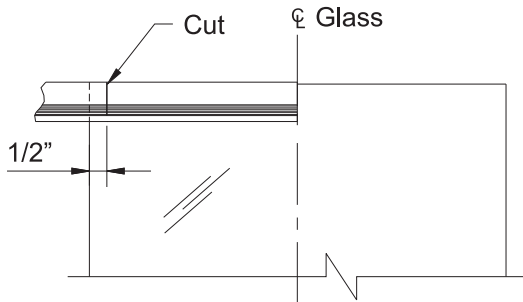
Detail 1

See **Detail 1**.

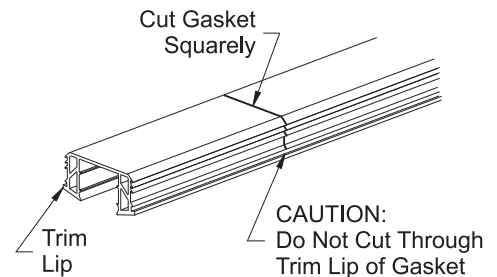
- Cut the gasket 1/2" away from the corner.
- Cut the gasket squarely.

Caution: Do not cut through the trim lip of the gasket.

See **DETAIL 2**.



Detail 2

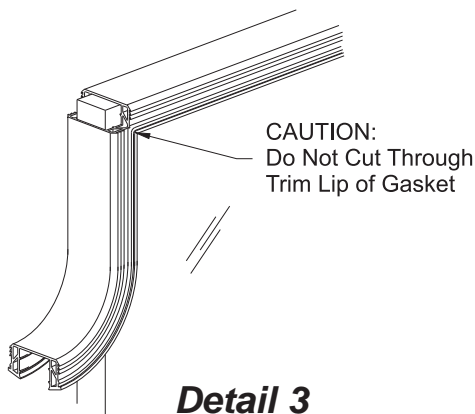


- Wrap the gasket around the corner and install the gasket around the glass moving down the side of the lite.

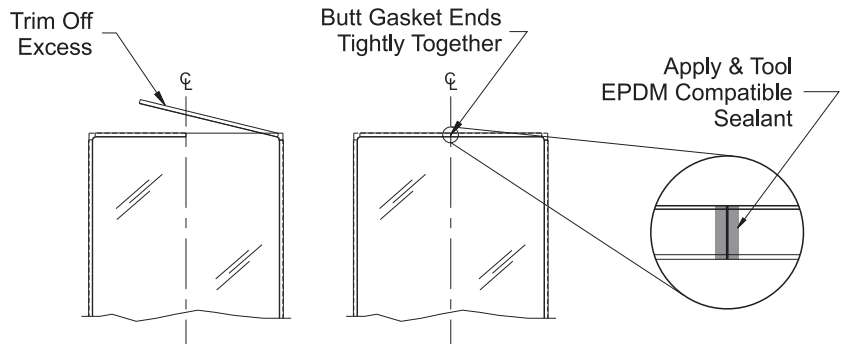
See **DETAIL 3**.

- Cut the gasket 1/2" away from the next corner.
- Proceed around the lite repeating the steps called out above.
- Trim off the excess gasket at the end and butt the ends of the gasket against each other, allowing an extra 1/4" to ensure a tight fit.

See **DETAIL 4**.



Detail 3



Detail 4

ASSEMBLE SLIDING & FIXED PANELS

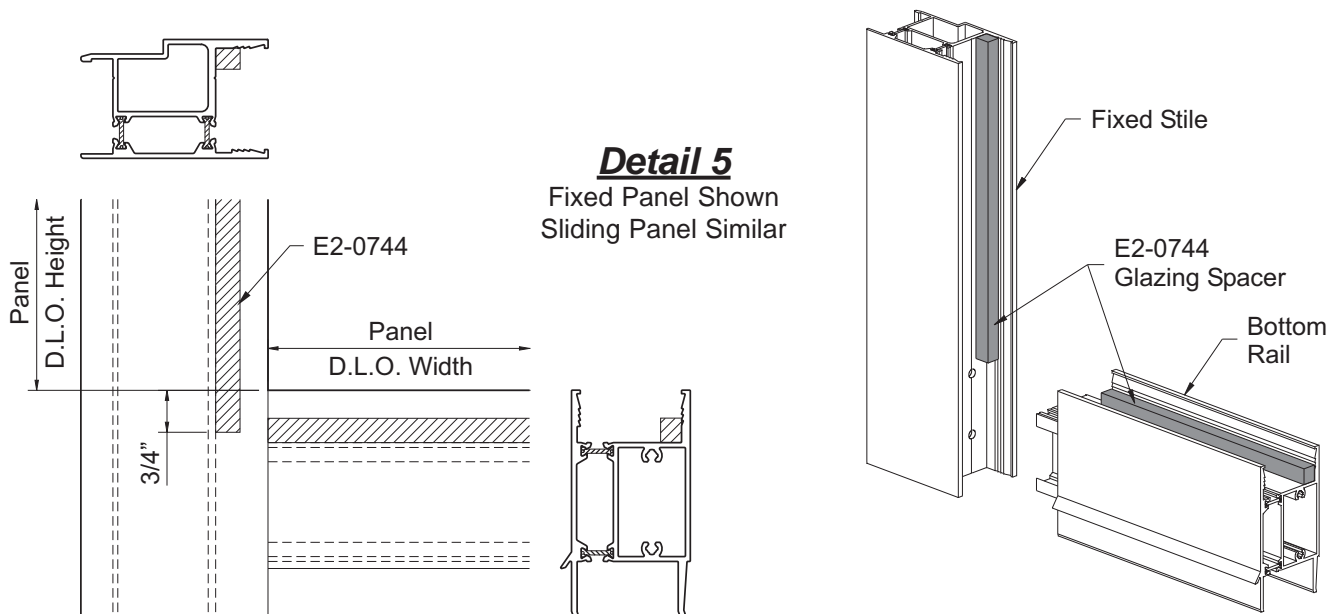
STEP 1B

INSTALL GLAZING SPACERS & SIDE BLOCKS (LARGE MISSILE PANELS ONLY)

Large missile panels require the installation of glazing tape, E2-0744, prior to assembling the panel members.

- Cut top/bottom rail glazing tape to the Panel Daylight Opening Width.
 - Cut stile glazing tape to the Panel Daylight Opening Height plus(+) 1-1/2" (3/4" at each end).
 - Remove the protective backing from the glazing tape and apply it as shown below.
- Be careful not to stretch the tape when installing it.

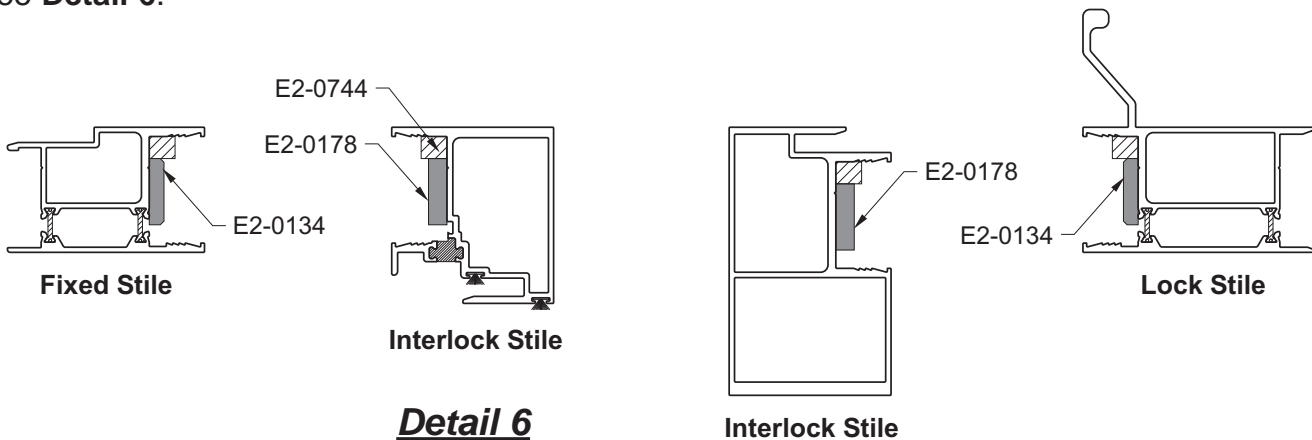
See **Detail 5**.



Large missile sliding panels also require the installation of side blocks, E2-0134 for fixed and lock stiles and E2-0178 for interlock and meeting stiles.

- Remove the protective backing from the side blocks, apply sealant to the backs of the blocks, and install them at the 1/4 points of the panel daylight opening as shown below.

See **Detail 6**.



ASSEMBLE SLIDING & FIXED PANELS

STEP 2

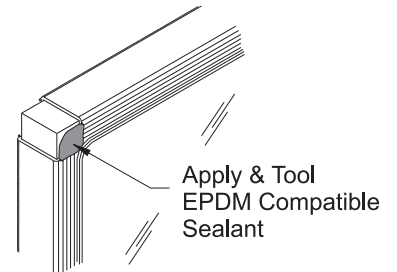
GLAZING SLIDING PANELS (FOR ALL PANELS)

-Just prior to assembling the panels apply and tool sealant to the glass corners behind the gasket on both sides.
See **Detail 7**.

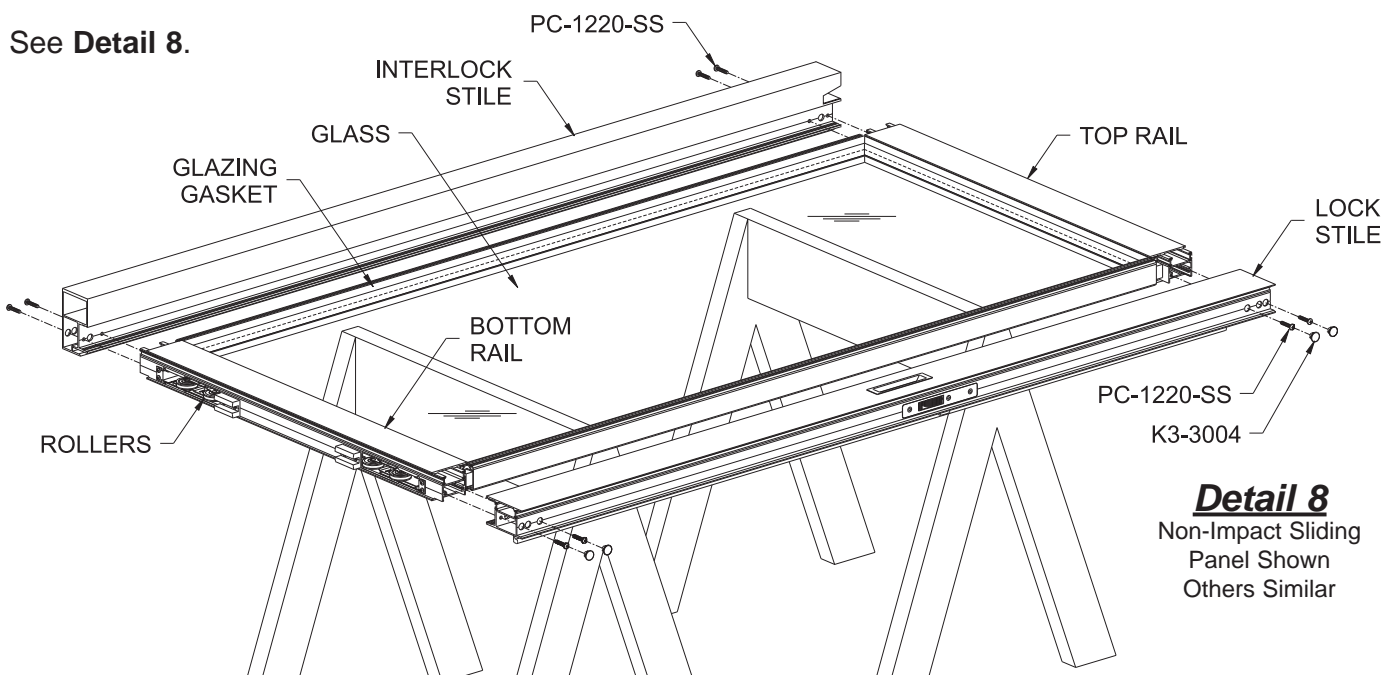
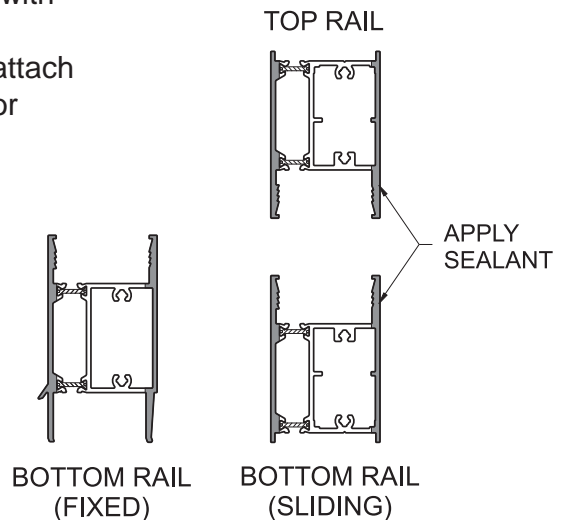
- Carefully lay the lite of glass down onto a pair of sawhorses.
- Apply sealant to the notched out ends of the top and bottom rails.
- Install setting blocks, E2-0177 for small missile or E2-0178 for large missile, along the bottom rail glazing pocket at 1/4 points or according to engineering calculations.
- Insert the top and bottom rails centered on the lite of glass with the exterior side of the panel facing up.
- Align the stiles (exterior sides facing up) with the rails and attach them using a rubber mallet. Make sure all glazing gaskets or spacers are properly aligned.
- Fasten each corner of the sliding panel with two PC-1220-SS fasteners.
- Tool and wipe away excess sealant at the joints.
- Install screw caps, K3-3004, into the clear holes at the top and bottom of the fixed and lock stiles.

Note: The middle hole at the bottom is left unplugged for adjustment of the rollers. Screw caps for interlock & lock meeting stiles can only be installed after the head and sill fillers are attached.

See **Detail 8**.



Detail 7



Detail 8

Non-Impact Sliding Panel Shown
Others Similar

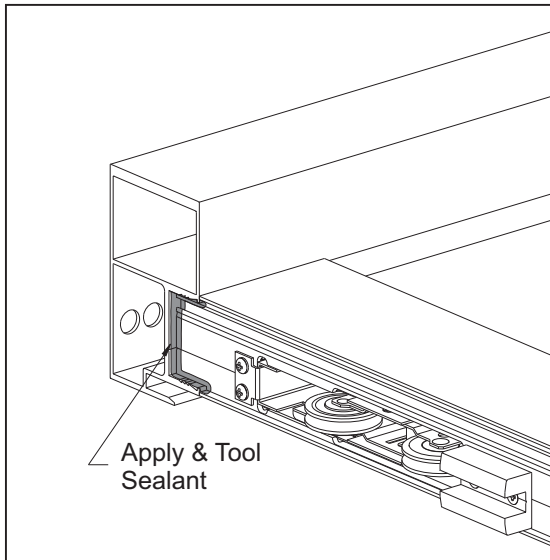
ASSEMBLE SLIDING & FIXED PANELS

**STEP 2 (Continued)
GLAZING SLIDING PANELS (FOR ALL PANELS)**

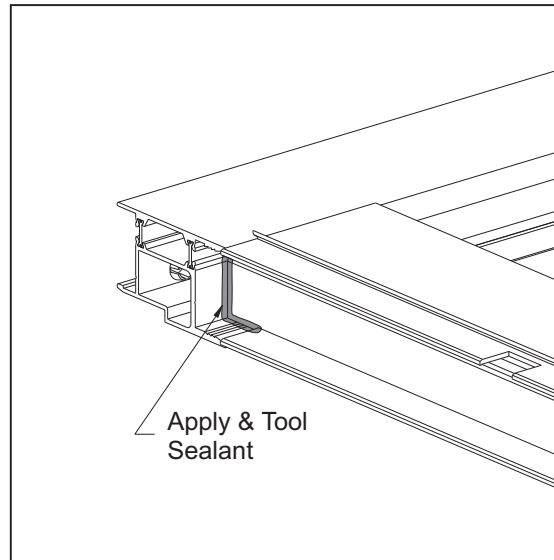
Seal Exterior Panel Joints

- Apply sealant to the exterior joints between the rails and stiles at both the top and bottom of the assembled panels.
- Tool the sealant to ensure a watertight seal.

See **Details 9 & 10.**



Detail 9
Sliding Panel Shown

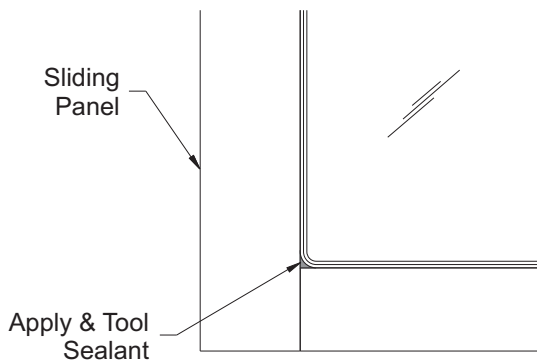


Detail 10
Fixed Panel Shown

**FOR ALL SMALL MISSILE
& NON-IMPACT PANELS**

- Apply and tool sealant to the joint between the marine gasket and panel corners. Seal at each corner and on both sides of the panel.

See **Detail 11.**



Detail 11

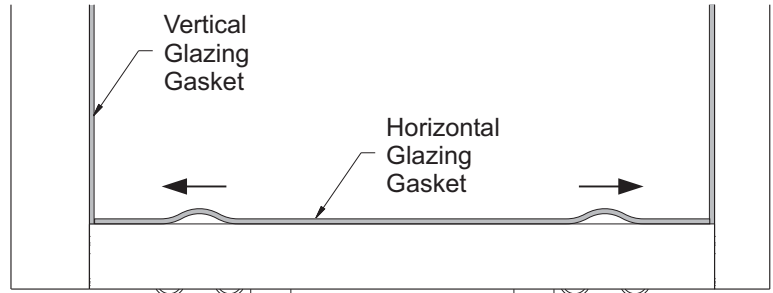
ASSEMBLE SLIDING & FIXED PANELS

STEP 2 B

GLAZING SLIDING PANELS (FOR ALL LARGE MISSILE PANELS)

Install Glazing Gaskets

- Cut horizontal & vertical glazing gaskets to Panel Daylight Opening plus (+) 3/16" for each foot of length.
- Install the vertical glazing gaskets first then the horizontal gaskets.
- Insert the gasket at each end. Then insert the gasket at the midpoint of the opening and push the remainder of gasket in working towards each end.

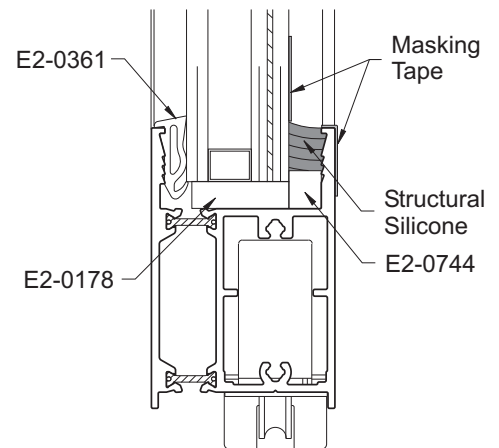


Detail 12

See **Detail 12**.

Apply Interior Structural Silicone Sealant

- Carefully turn over the assembled sliding panel so that the interior of the panel is facing up. Rest the frame on the sawhorses allowing the weight of the glass to compress the push-in wedge gaskets.
- Make sure that all silicone contact surfaces and joints have been cleaned with isopropyl alcohol (50%) and lint free cloths using the "two cloth method."
- Apply masking tape to the aluminum and glass as shown.
- Apply structural silicone sealant into the cavity between the panel and glass. Exert positive pressure so that the sealant completely fills the cavity.
- Using a spatula or other non-scratching implement, immediately tool the sealant after running the joint. Exert positive pressure while tooling to ensure that the sealant makes positive contact with all surfaces.



Detail 13

Be careful not to remove too much sealant!

- Remove the masking tape within ten minutes of tooling.

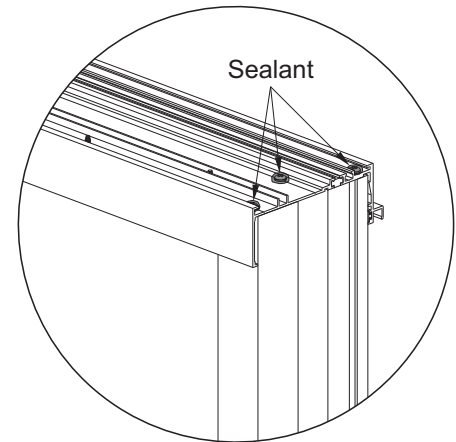
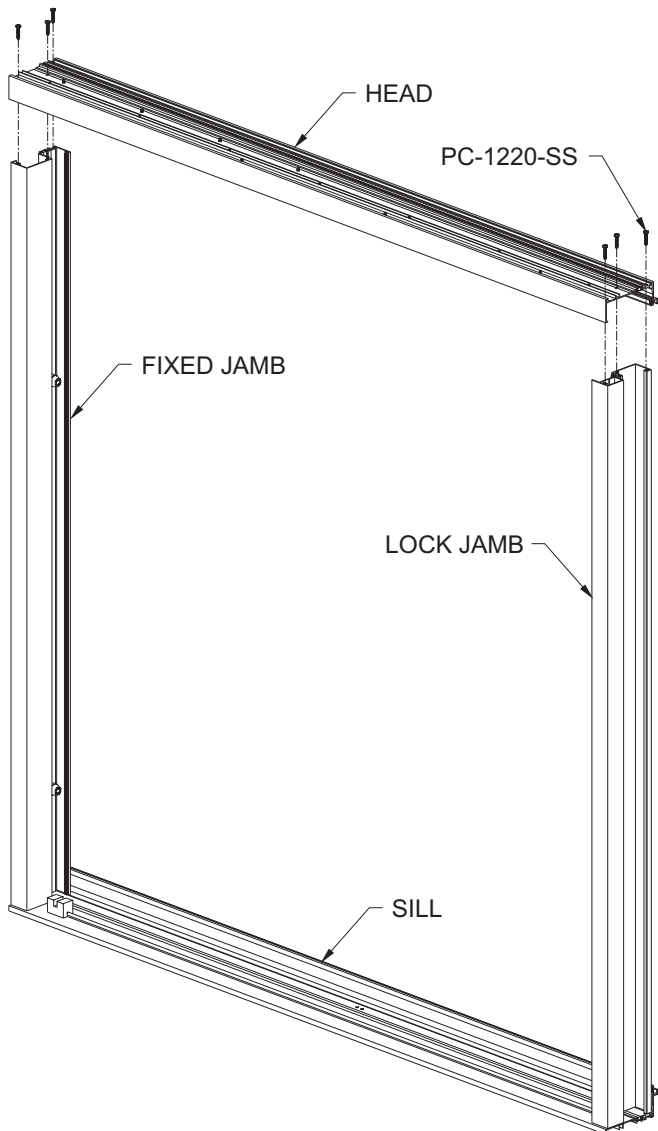
Do not allow the sealant to skin over!

See **Detail 13**.

ASSEMBLE SLIDING DOOR FRAME

**STEP 3
ASSEMBLE SLIDING DOOR FRAME**

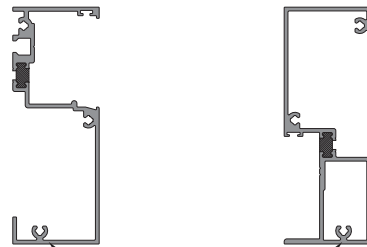
- Lay out members and locate fastener locations.
 - Apply (butter) sealant to each end of the jamb members.
 - Attach the jamb members to the head and sill with PC-1220-SS fasteners as shown.
 - Tool and wipe away any excess sealant at the joints.
 - Seal all exposed fastener heads with sealant.
- See **Details 14 & 15**.



Detail 15

BE9-6203
Fixed Jamb

BE9-6204
Lock Jamb



Detail 14

Apply Sealant to Mullion Ends

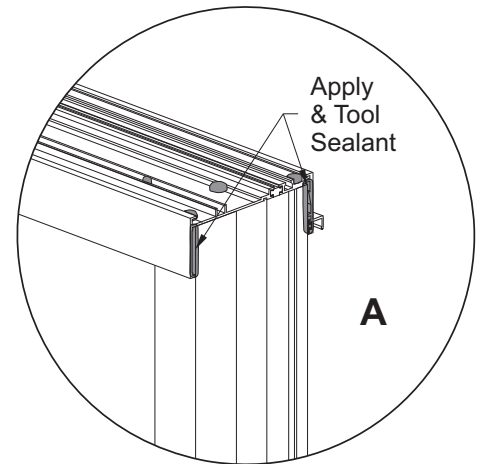
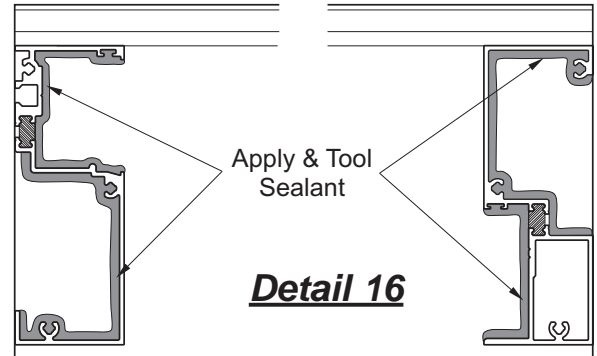
ASSEMBLE SLIDING DOOR FRAME

**STEP 4
SEAL SLIDING DOOR FRAME**

-Apply additional sealant to the head/jamb and sill/jamb joints along the inner and outer pockets.
-Tool the sealant to ensure a watertight seal.
See **Detail 16**.

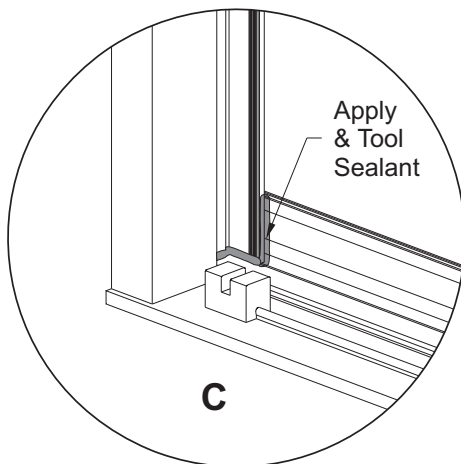
-At the exterior frame corners, apply and tool additional sealant to the spaces between the legs of the head and sill and the jamb.
See **Detail 17A & 17B**.

-At the interior frame corners, apply and tool additional sealant to the spaces between the jamb and the back leg of the head and sill.
See **Detail 17C**.

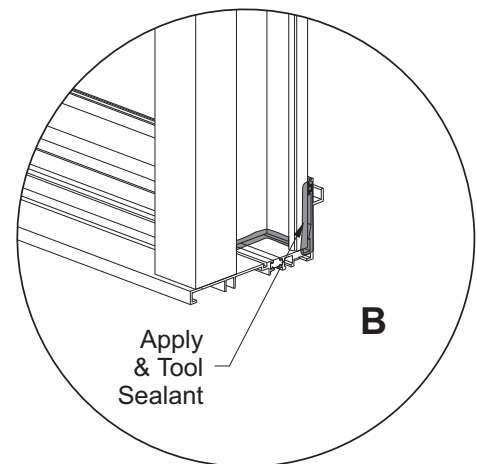


Detail 17

Lock Jamb Shown
Fixed Jamb Similar



Fixed Jamb Shown
Lock Jamb Similar

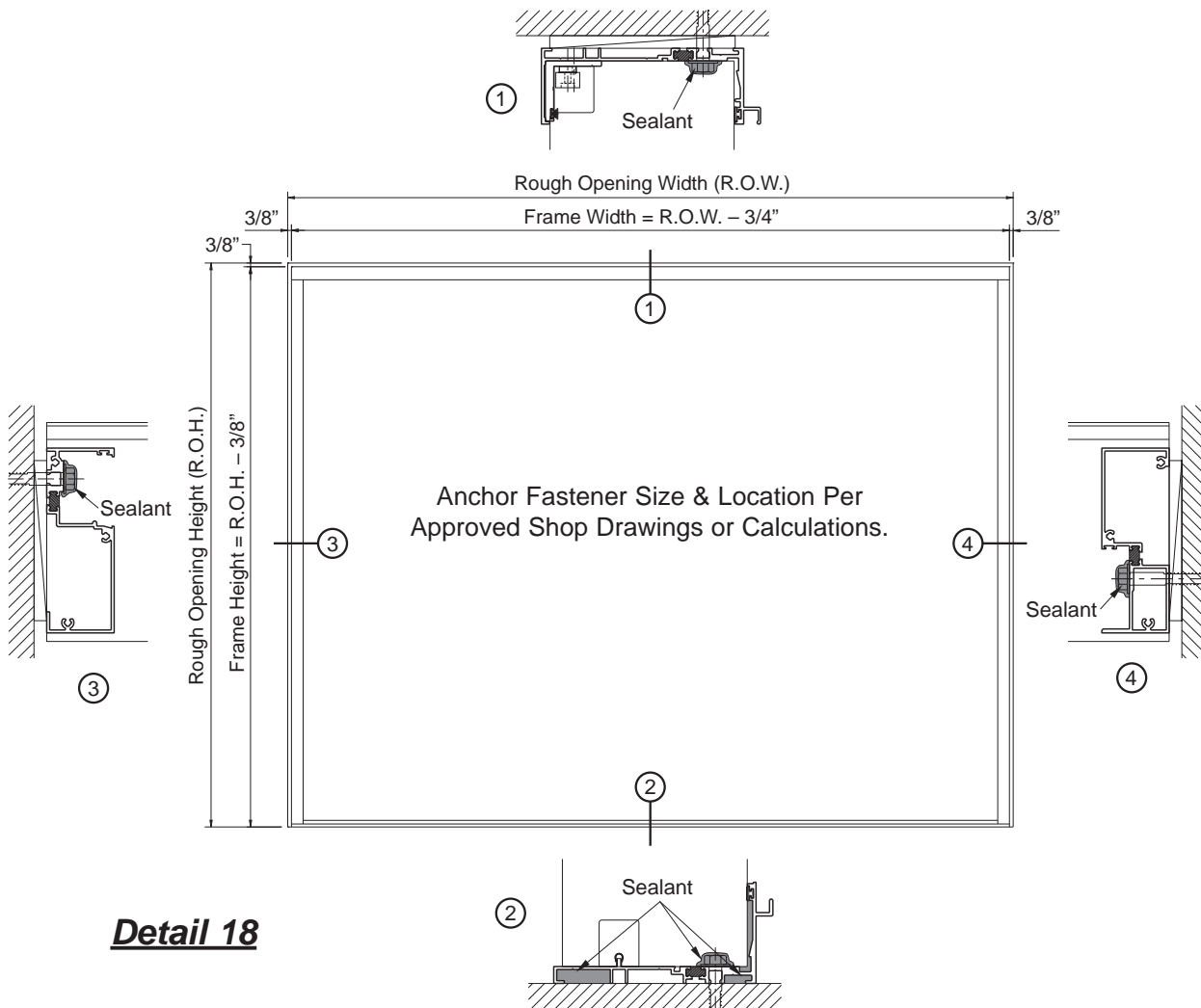


Lock Jamb Shown
Fixed Jamb Similar

INSTALL SLIDING DOOR FRAME

STEP 5 ANCHOR SLIDING DOOR FRAME

- The sliding door frame must be installed on a flat, level surface.
- Check the rough opening for squareness and plumb at both ends. Also, make sure that appropriate space (3/8" nominal) has been allowed for shim at the head and both jambs.



- Set the assembled frame in the prepared opening on a bed of sealant.
- Temporarily attach the frame to the structure using clamps and/or rope.
- Field drill the head, sill, and jambs for anchor fasteners according to approved shop drawings or engineering calculations. Consult YKK AP if load requirements are in question.
- Shim the head and jambs as needed; the frame must be level, plumb, and true.
- Anchor the frame to the structure using appropriate anchor fasteners.
- Seal all exposed anchor fastener heads.

See **Detail 18**.

INSTALL SLIDING DOOR FRAME

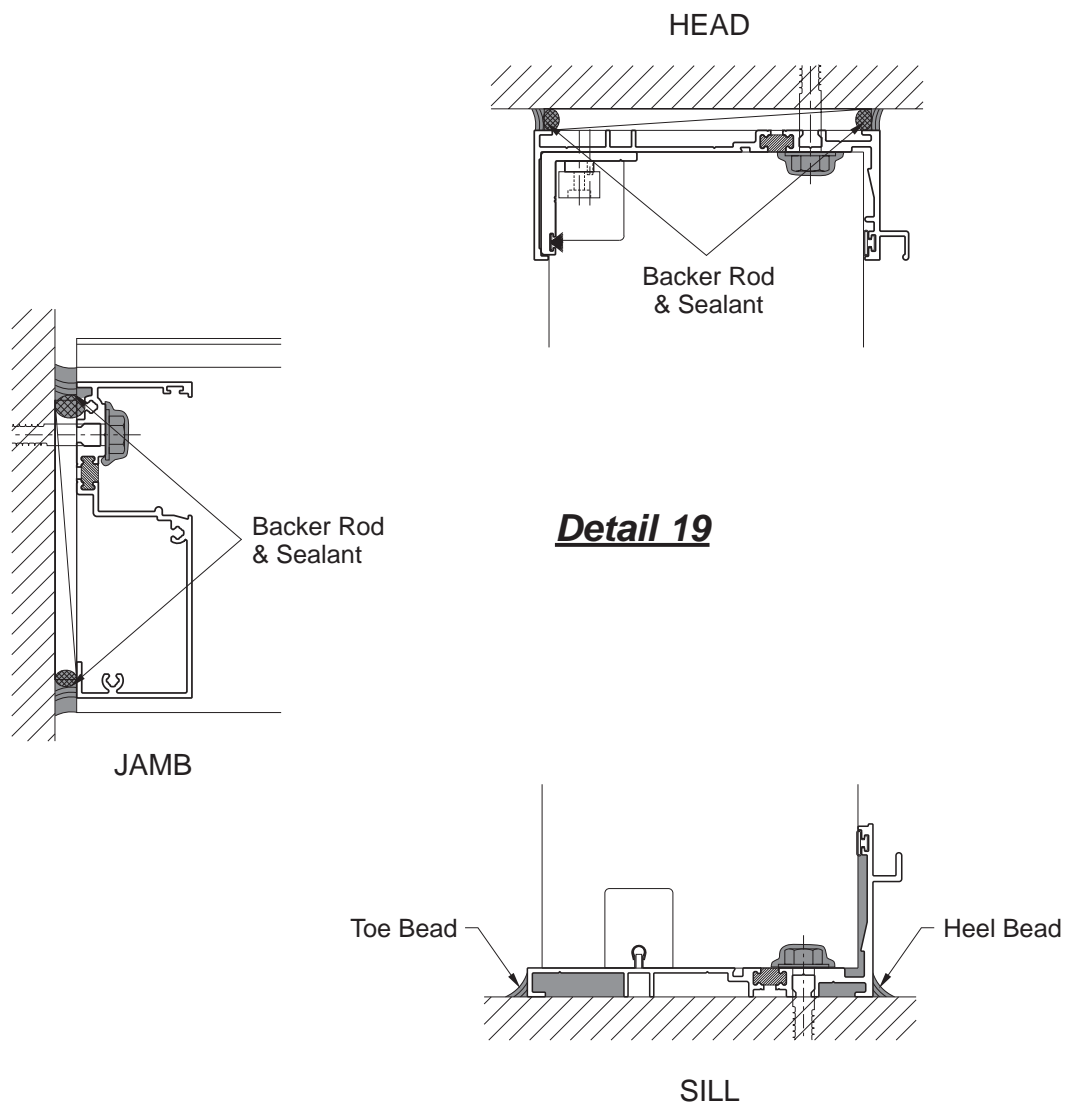
STEP 6 APPLY PERIMETER SEALANT

- Install backer rod between the frame head and jambs and the structure.
- Apply masking tape to the frame where sealant is applied.
- Apply a quality perimeter sealant at the head and jambs.
- Immediately tool the sealant to ensure watertight seal and remove the masking tape while the sealant is still wet.

Note: Perimeter sealant must be applied to both the exterior and interior of the frame.

- Apply a toe bead at the exterior of the sill and a heel bead at the interior.
- Tool the sealant into the perimeter sealant to create a watertight seal.

See **Detail 19**.



INSTALL DOOR PANELS

**STEP 7
INSTALL FIXED PANELS**

-Prior to installing the fixed panel, attach anchor clip E1-1626 to the fixed panel meeting stile with two(2) PM-2508-SS fasteners.

-Apply sealant to the sill where the holes are pre-drilled for the anchor clip.

See **Detail 20**.

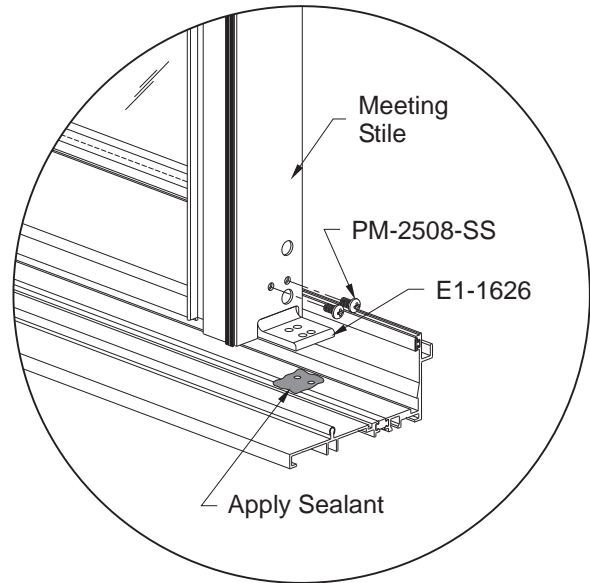
-Set the fixed panel into the frame and move it over tight against the fixed jamb. Make sure that the sill anchor clip holes align with the predrilled holes in the sill.

See **Detail 21**.

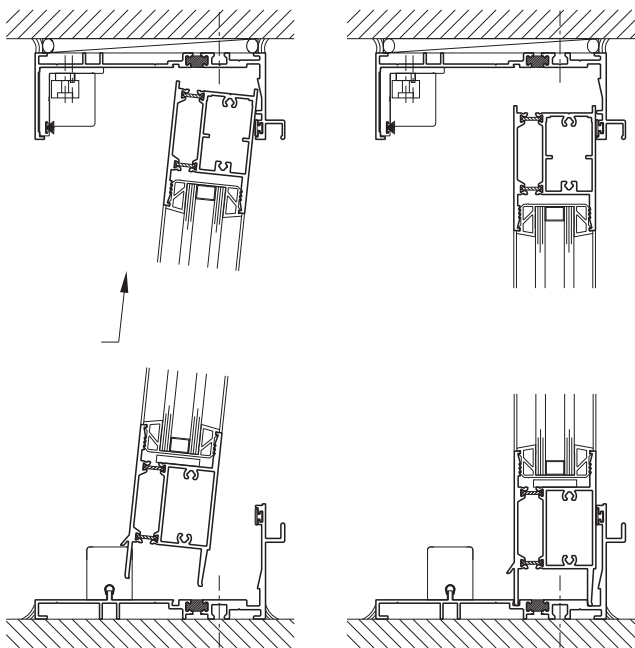
-Position the fixed panel stopper, E1-1624, tight against the fixed panel and aligned with the pre-drilled hole in the frame head.

-Attach E1-1624 to the frame head with one PF-1008-SS fastener.

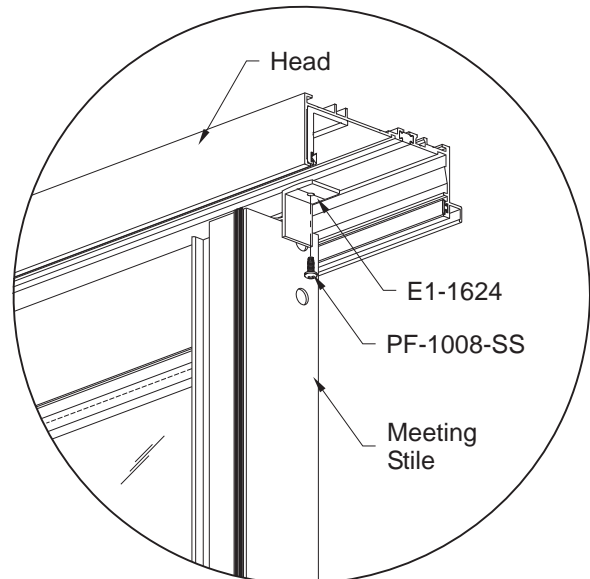
See **Detail 22**.



Detail 20



Detail 21



Detail 22

INSTALL DOOR PANELS

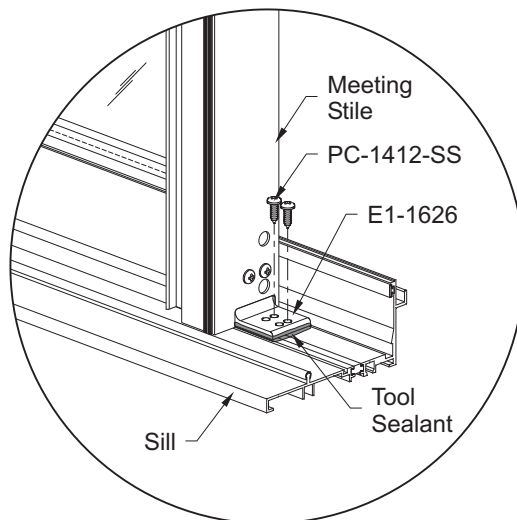
STEP 7 (Continued) INSTALL FIXED PANELS

- Secure the panel anchor clip, E1-1626, to the sill with two PC-1412-SS fasteners.
- Tool the excess sealant around the anchor clip. See **Detail 23**.

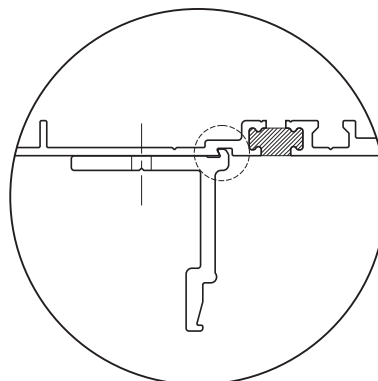
Install Fixed Panel Head Adaptor E9-6214

- Position the head adaptor E9-6214 at the head between the jamb and the interlock stile. Make sure that the head adaptor is flat against the head and the head adaptor attachment leg sits in the head reglet properly. See **Detail 24**.

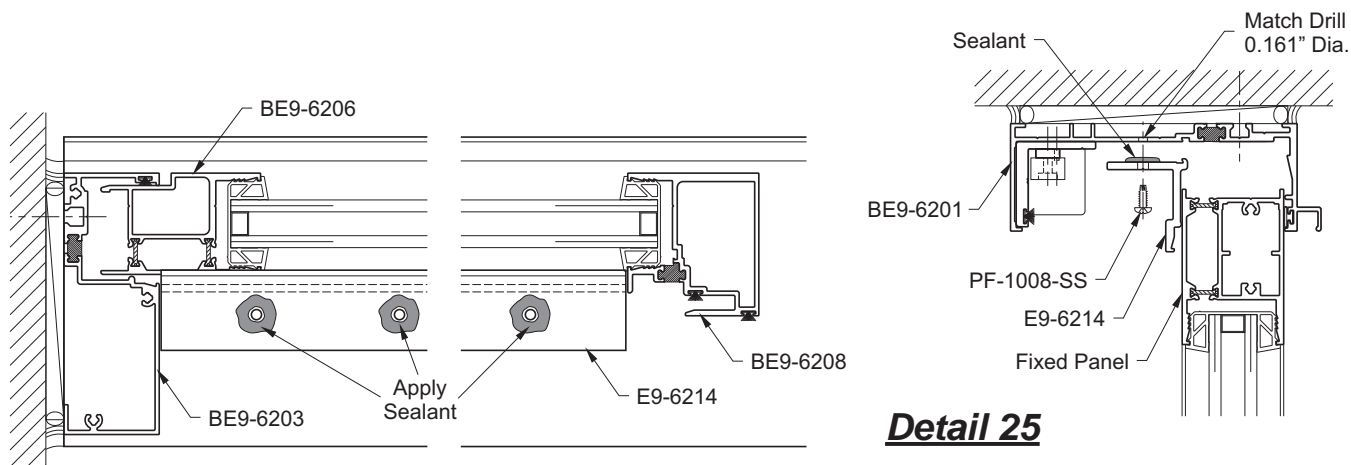
- Transfer hole locations from the pre-drilled clear holes on the head adaptor to the frame head.
- Remove the head adaptor and drill 0.161" dia. (#20 bit) holes at each location.
- Apply sealant to the top of the head adaptor around the clear hole areas.
- Attach the head adaptor E9-6214 to the frame head using PF-1008-SS fasteners. See **Detail 25**.



Detail 23



Detail 24



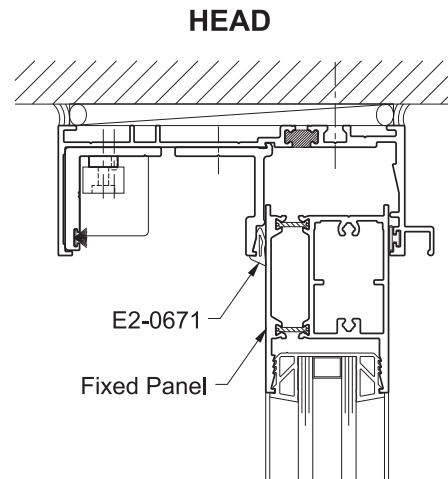
Detail 25

INSTALL DOOR PANELS

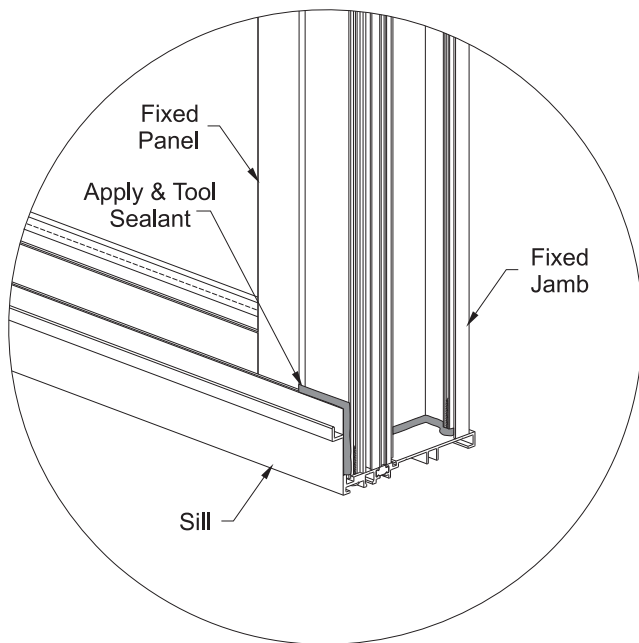
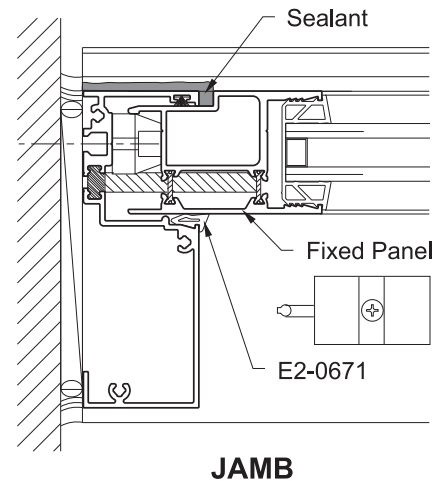
STEP 7 (Continued) INSTALL FIXED PANELS

- Cut vertical gaskets, E2-0671, to the Panel Height plus (+)1/4" per foot.
- Cut horizontal gaskets, E2-0671, to the Panel Width plus (+) 1/4" per foot.
- Lubricate the gaskets with water to facilitate the installation.
- Install the vertical gaskets where the fixed panel stile meets the fixed jamb first.
- Then install the horizontal gaskets where the fixed panel top rail meets the head adaptor E9-6214.
- Insert the gasket into the reglet at each end.
- Push in the rest of the gasket starting from the middle and work towards each end.

See **Detail 25**.



Detail 25



Detail 26

Sill Shown, Head Similar

- At the head and sill, fill the cavity between the fixed panel and fixed jamb with sealant, continue to end of sill.
- Tool the sealant to ensure a watertight seal.

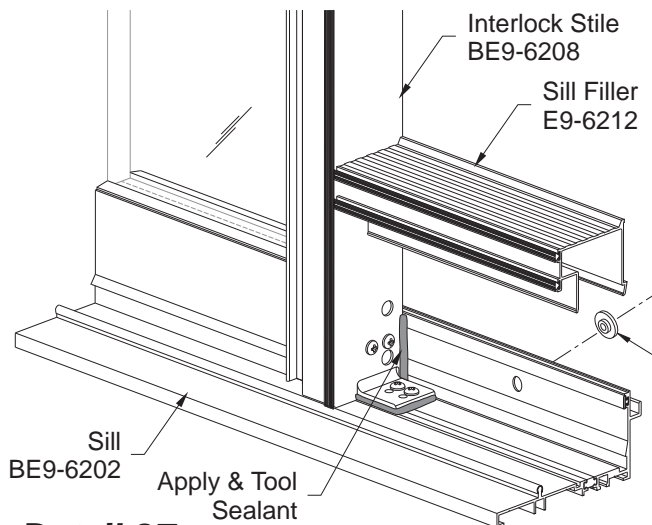
See **Detail 26**.

INSTALL DOOR PANELS

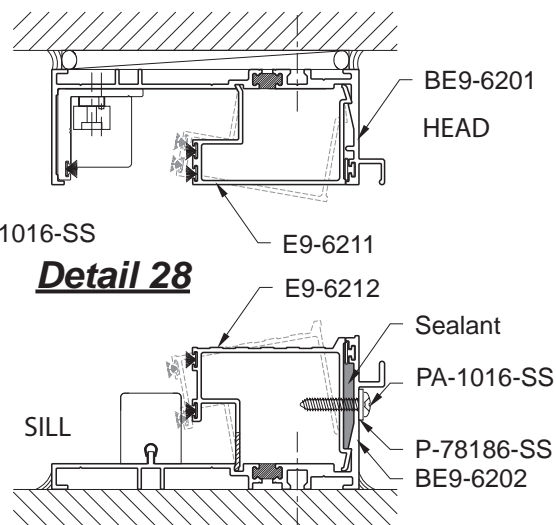
STEP 8 ATTACH SLIDING PANEL HEAD & SILL FILLERS

-Just prior to attaching sliding panel head & sill fillers, apply and tool sealant to the joint between the sill back leg and the interlock or lock meeting (OXO only) stiles. Also, apply a 6" bead of sealant at each end along the back leg of the sill.

See **Detail 27**.



Detail 27



Detail 28

-Insert the front leg of the head and sill fillers into the filler reglets and rotate the fillers into place as shown. See **Detail 28**.

Note: Head and sill fillers must snap to ensure positive engagement. If it is difficult to snap in the fillers, you may have to puncture (pinhole) the sill/head bulb gasket to let out excess air.

-The BE9-6202 sill contains predrilled clearance holes for fastening the E9-6212 sill filler to the BE9-6202 sill. See **Detail 27**.

-Drill 5/32" diameter pilot holes on E9-6212 sill filler, thru the clearance holes that are located on the BE9-6202 sill. After drilling the pilot holes on the sill filler, fill the holes with sealant. This sealant must reach the E9-6212 sill filler.

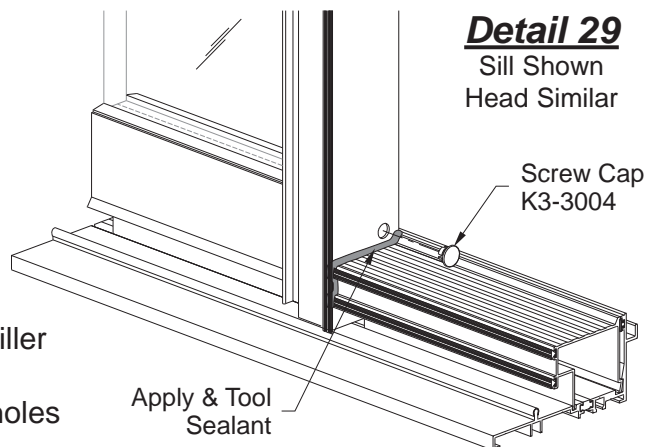
-Position P-78186-SS washer over hole with the neoprene side facing the sill, insert and tighten PA-1016-SS fastener. Remove excess sealant after tightening the PA-1016SS fastener.

See **Detail 28**.

-Once the head and sill fillers are installed apply and tool sealant to the joint where the fillers meet the lock jamb and interlock or meeting stiles.

-Also apply and tool sealant where the head and sill filler weatherstrip meets the stile weatherstrip.

-Insert screw caps, K3-3004, into the exposed clear holes on the stile. See **Detail 29**.



Detail 29

Sill Shown
Head Similar

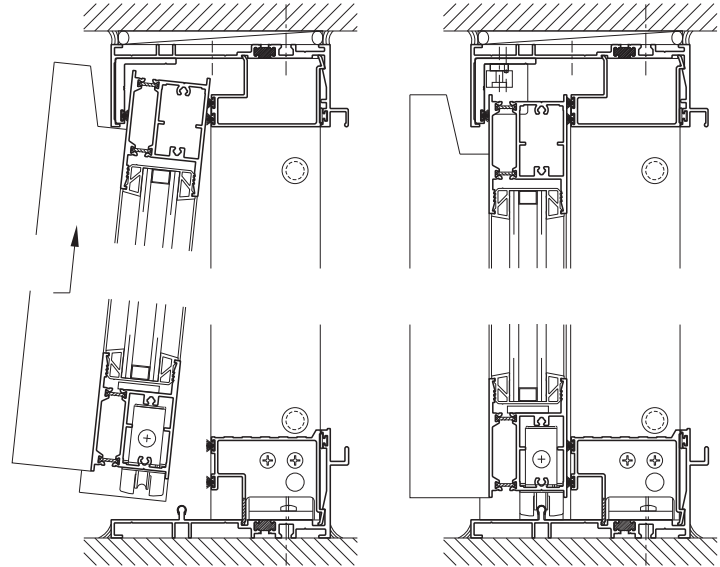
Screw Cap
K3-3004

INSTALL DOOR PANELS

**STEP 9
INSTALL SLIDING PANELS**

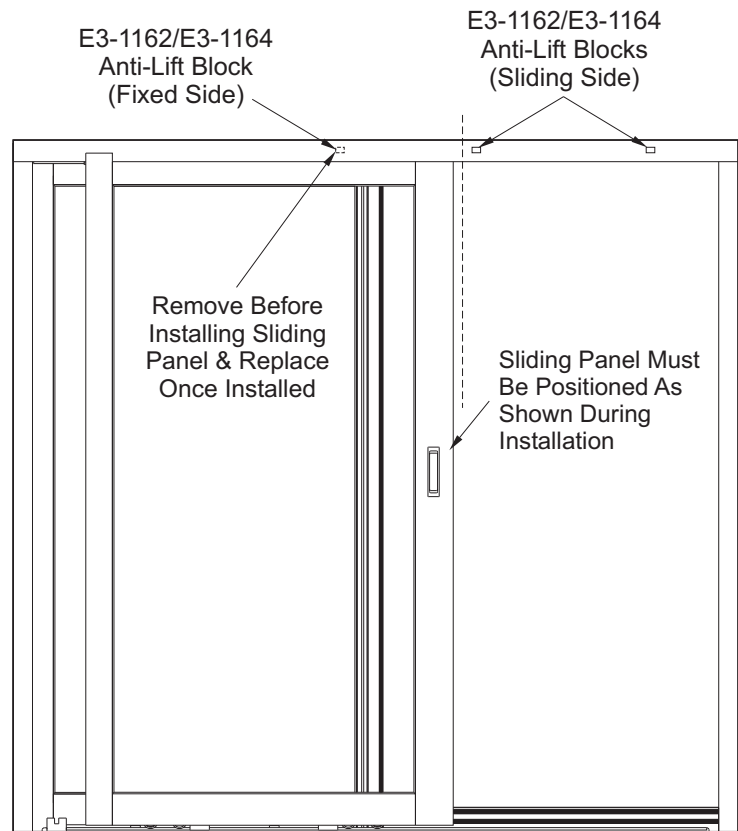
- Remove the one anti-lift block from the fixed side of the sliding door.
- Lift the sliding panel(s) up into the frame on the fixed panel side in order to clear the anti-lift blocks.
- Carefully lower the panel(s) down onto the roller track. Make sure that the rollers are properly aligned with the roller track.
- Slide the sliding panel back to the closed position and replace the anti-lift block previously removed.

See **Details 30 & 31**.



Detail 30

Caution: Do not allow the rollers to contact the floor before installing the sliding panels. Damage to the rollers may occur.



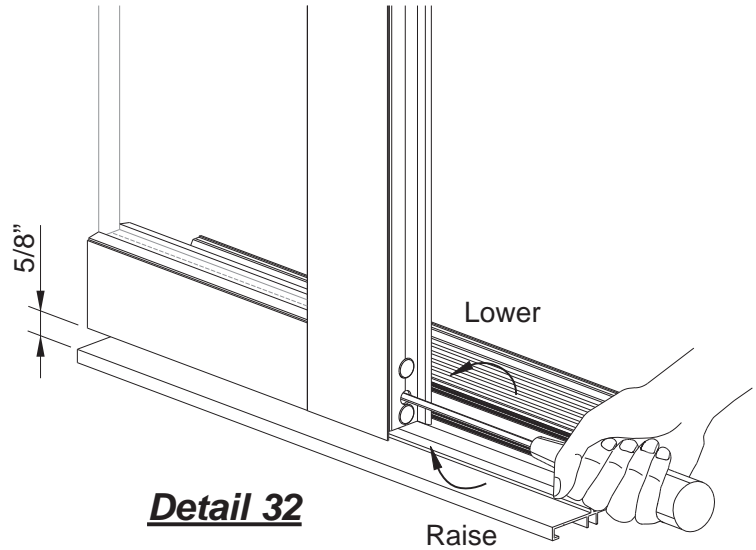
Detail 31
OX Shown
Others Similar

INSTALL DOOR PANELS

**STEP 10
ADJUST SLIDING PANELS**

- Adjust the rollers of the sliding panel(s) through the access hole on each side so that the door is level and rolls freely:
 - Clockwise to raise panel.
 - Counterclockwise to lower panel.

See **Detail 32**.

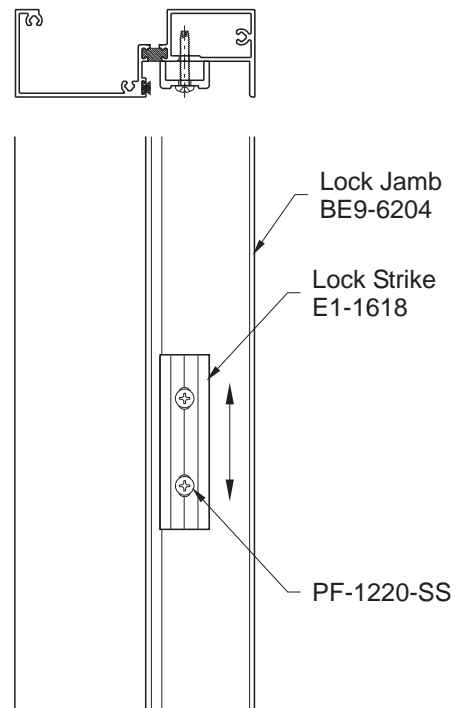


**If the Lock Does Not Operate Properly,
Adjust the Lock Strike**

- Loosen the lock strike fasteners.
- Adjust the lock strike on the frame so that the lock engages correctly.
- Tighten the lock strike fasteners.

See **Detail 33**.

Detail 33



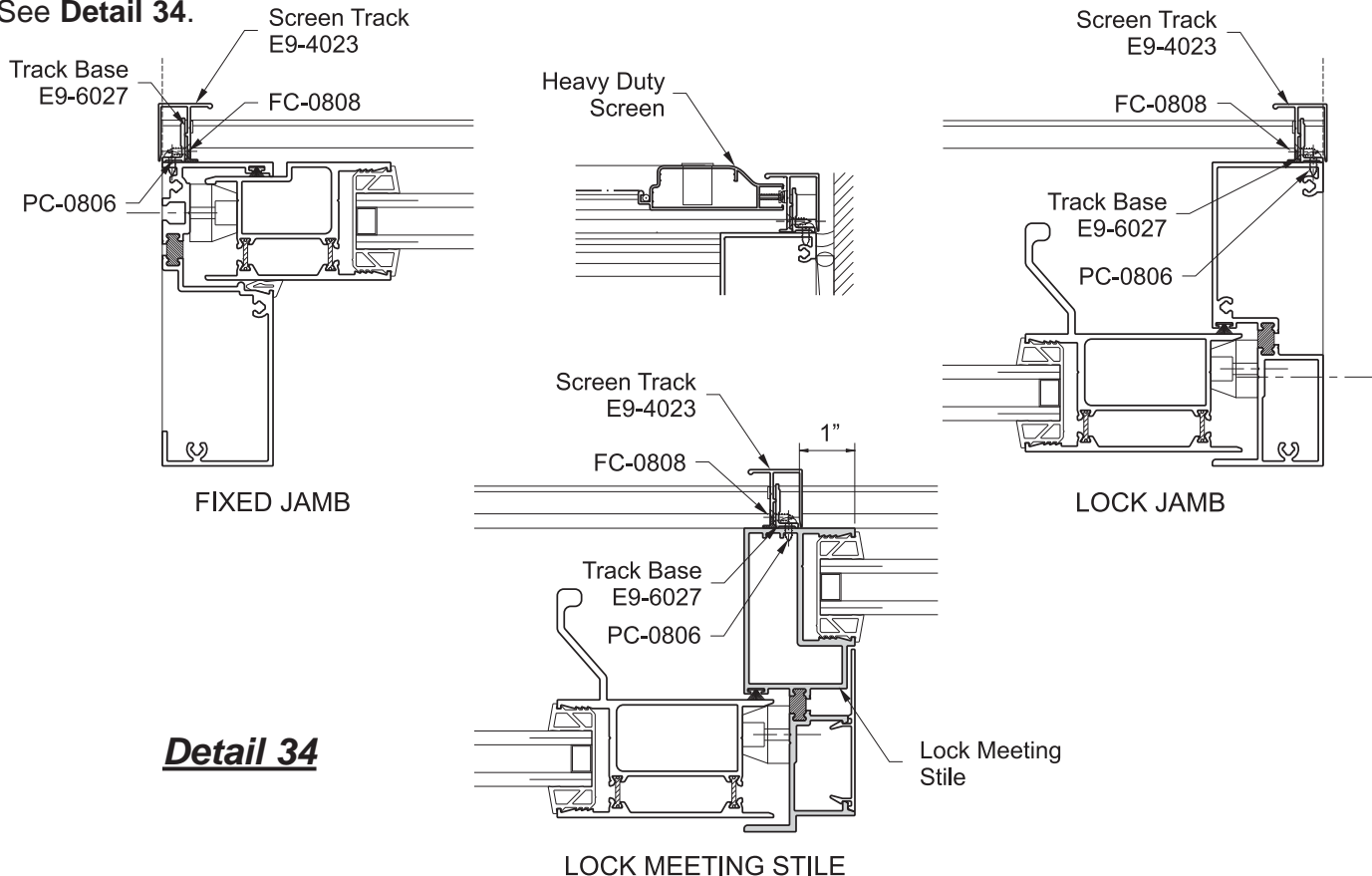
INSTALL VERTICAL SCREEN TRACKS

STEP 11 (OPTIONAL) INSTALL VERTICAL SCREEN TRACKS

Head & sill screen tracks are integral to the YSD 600 TH sliding door frame. Vertical screen tracks consist of two extrusions: a track base (E9-4023) and a track (E9-6027). For OX/XO frames install the screen tracks at the fixed and lock jambs. For OXO frames install the screen tracks at the fixed jamb and lock meeting stile. For OXXO frames install the screen tracks at both fixed jambs.

- To install screen tracks at jambs, position the track base on the jamb with the short leg end flush with the edge of the jamb.
- To install screen tracks at the Lock Meeting Stiles (OXO), position the track base on the jamb with the short leg end 1" from the glass edge of the Lock Meeting Stile. Make sure the track base is straight and plumb.
- Temporarily secure the track base and transfer the pre-drilled hole locations on it to the jamb.
- Remove the track base and drill 0.141" dia. (#28 bit) holes at each location.
- Attach the track base to the jamb at each hole location with PC-0806 fasteners.
- Place the screen track over the track base and align the pre-drilled holes on the screen track with the ones on the long leg of the track base.
- Fasten the screen track to the track base with FC-0808 fasteners.

See **Detail 34.**



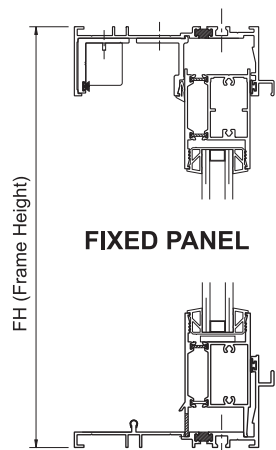
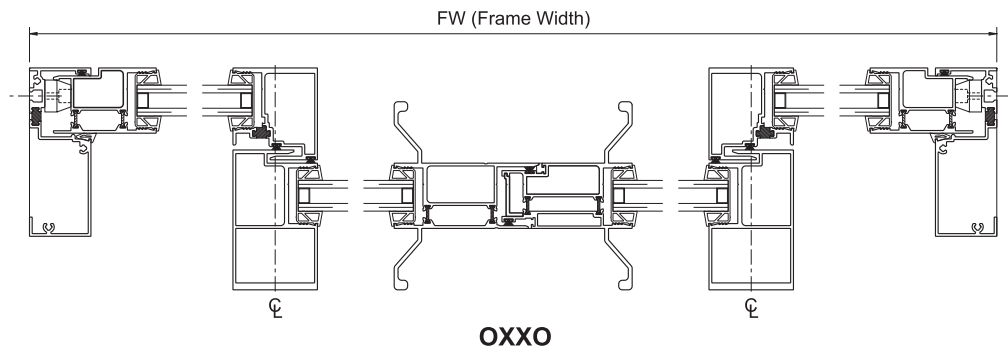
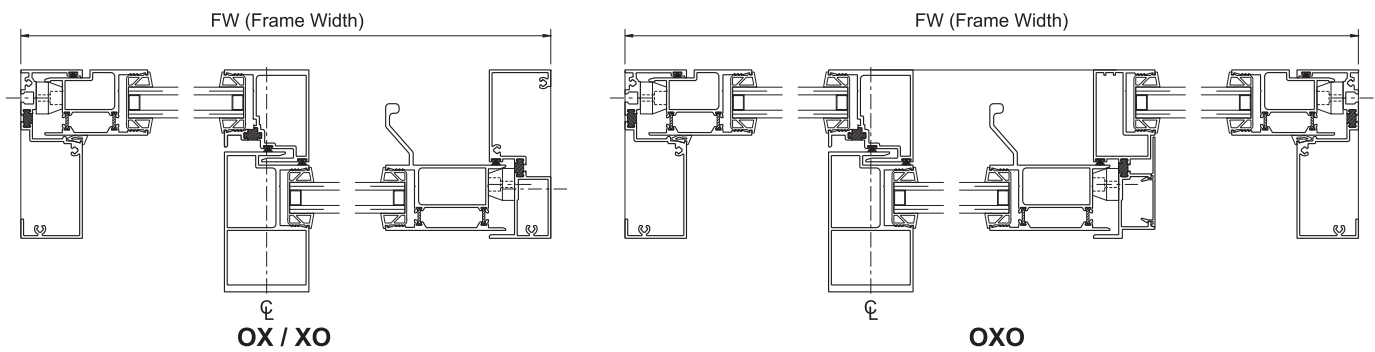
Detail 34

CALCULATING GLASS SIZES

CONFIGURATION	GLASS WIDTH
OX / XO	$FW/2 - 4 \frac{7}{8}"$
OXO	$FW/3 - 4 \frac{1}{4}"$
OXXO	$FW/4 - 4 \frac{1}{8}"$

PANEL TYPE	GLASS HEIGHT
FIXED	$(FH - 7 \frac{3}{4}"$)
SLIDING	$(FH - 7 \frac{3}{4}"$)

Glass Bite = 5/8"



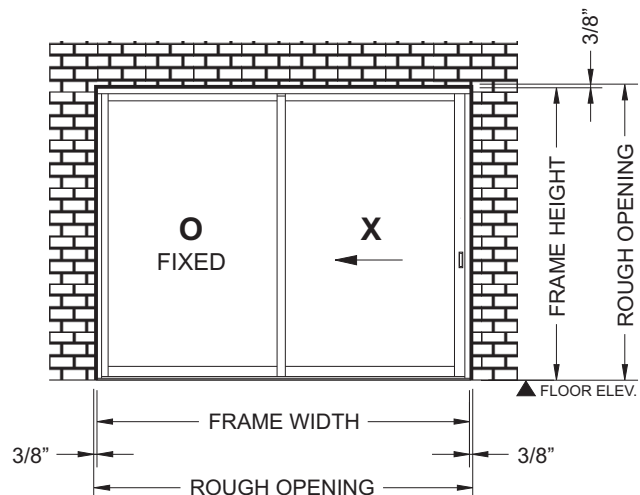
SLIDING DOOR SIZE LIMITATIONS

CONFIGURATION	MAXIMUM FRAME SIZE* (AS TESTED)
<p>OX & XO</p>	Without Reinforcing Design Load +75/-75 PSF 10'-3" x 8'-0" Without Reinforcing Design Load +100/-100 PSF 8'-2" x 8'-0" With Reinforcing Design Load +120/-120 PSF 8'-2" x 8'-0"
<p>OXO</p>	Without Reinforcing Design Load +75/-75 PSF 15'-4½" x 8'-0" Without Reinforcing Design Load +100/-100 PSF 12'-2½" x 8'-0" With Reinforcing Design Load +120/-120 PSF 12'-2½" x 8'-0"
<p>OXXO</p>	Without Reinforcing Design Load +75/-75 PSF 20'-6" x 8'-0" Without Reinforcing Design Load +100/-100 PSF 16'-3" x 8'-0" With Reinforcing Design Load +120/-120 PSF 16'-3" x 8'-0"

* If the height to width ratio exceeds 3:1, the sliding door must be reviewed by YKK AP engineering.

NOTE:

Frame width and height should allow 3/4" for width & 3/8" for height overall clearance between the door frame and rough opening. This allows for thermal expansion and ease of installation.





270 Riverside Parkway
Suite A
Austell, Georgia 30168
www.ykkap.com