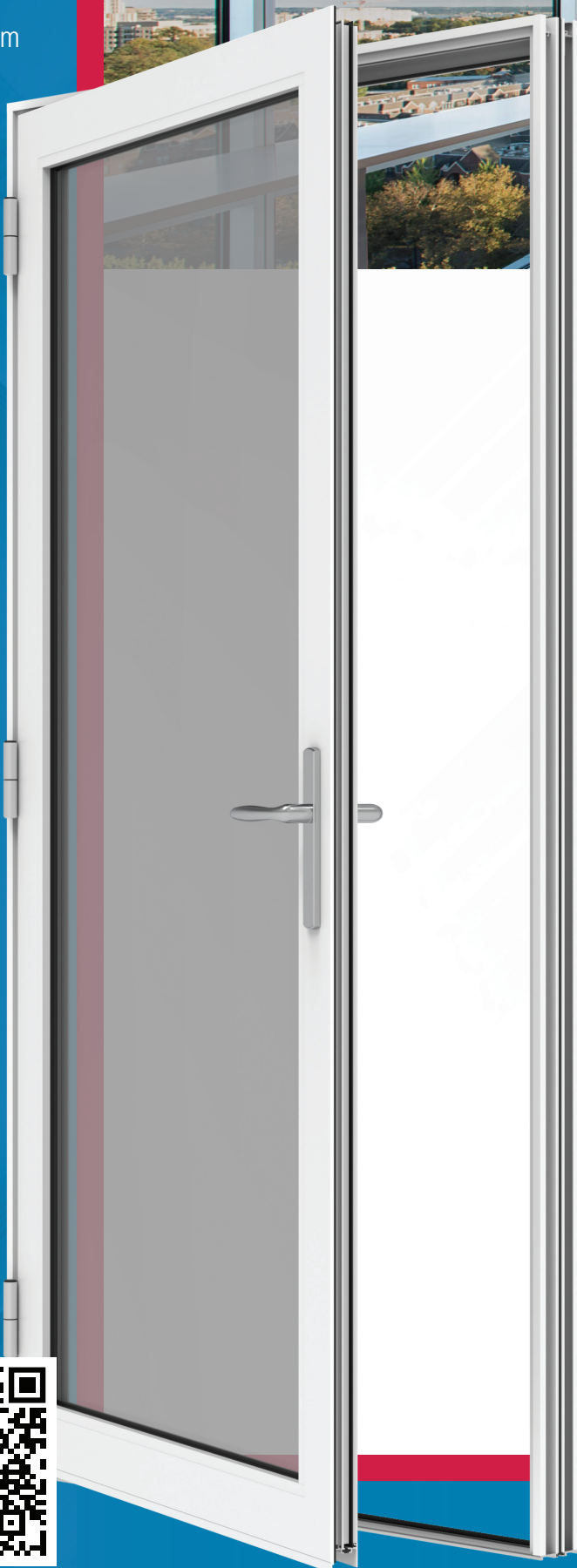


YKK AP[®]

www.ykkap.com

ProTek[®]
YKK AP Hurricane & Blast Solutions



Verde Pointe Apartments - Arlington, VA

YTD 350 TH

Impact-Resistant, Thermally Broken Architectural Terrace Balcony Door

The **YTD 350 T** Terrace Doors are the ideal choice for condominiums, hotels and high-rise residential properties, integrating smoothly with YKK AP wall systems. This terrace door utilizes a unique, three-way adjustable hinge and multi-point locking system, ensuring alignment so the door closes properly and creates a weather tight seal around the perimeter. Thermal performance is enhanced with YKK AP's MegaThem[®] technology, which also allows for dual finish capability.

- Single and paired door options
- Multi-Point Locking (MPL) for added security
- Low-Profile Sill option on a single outswing
- 10" bottom door rail option available
- Shipped fabricated and mounted on frame to greatly expedite installation in the field
- Factory glazed by YKK AP
- 3 premium and durable handle options with 5 standard finishes available
- Tested in accordance with:
AAMA/WDMA/CSA 101/I.S.2/A440-11

Thermal Values:

U-Factor:	Values as low as 0.44 *
CRF:	Minimum 56 frame and 66 glass

*Based on AAMA 507. Lower values may be achieved through further simulation.



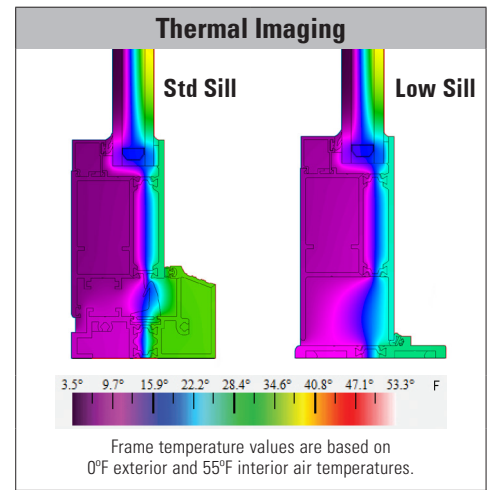
YTD 350 TH SPECS		
Base Depth	3-1/2"	
Sightline	2-1/4" Frame, 4-1/2" Stile	
Config	Factory Glazed / Offset	
Tested Glass	1" IGU with Low-E (C.O.G. U-Factor: 0.29)	
Test	Results	Standards
Air Infiltration	0.10 CFM/FT ² @ 6.24 PSF (299 Pa)	ASTM E 283
Water Infiltration	Outswing (Std Sill): Single/Paired: 15 PSF (790 Pa) Outswing (Low Sill): Single: 12 PSF (575 Pa)	ASTM E 331 AAMA 501
Acoustical* (1-5/16" IGU)	Laminated STC: 38 Laminated OITC: 32	ASTM E 90 ASTM E 1425
Forced Entry Resistance	Tested in accordance and meets the requirements of Terrace Doors and the "Force to Latch" requirements.	AAMA 101 AAMA 1304

Thermal Performance								
Mullion Depth	U-Factor - BTU/hr-ft ² ·°F						CRF*	
3-1/2" (Std Threshold)	0.53	0.52	0.50	0.49	0.48	0.46	56	66
Center of Glass	0.30	0.28	0.26	0.24	0.22	0.20	Frame	Glass
AAMA 507							AAMA 1503	

*Testing based on YTD 350 T. YTD 350 TH should have similar numbers.

Finish Options	
Type	Standard
Factory Anodized	AAMA 612
Organic Paints	AAMA 2604 AAMA 2605

Structural Performance	
Outswing (Std Sill): Single: AW PG 80 Paired: AW PG 65	
Outswing (Low Sill): Single: AW PG 65	



Multi-Lock Point System

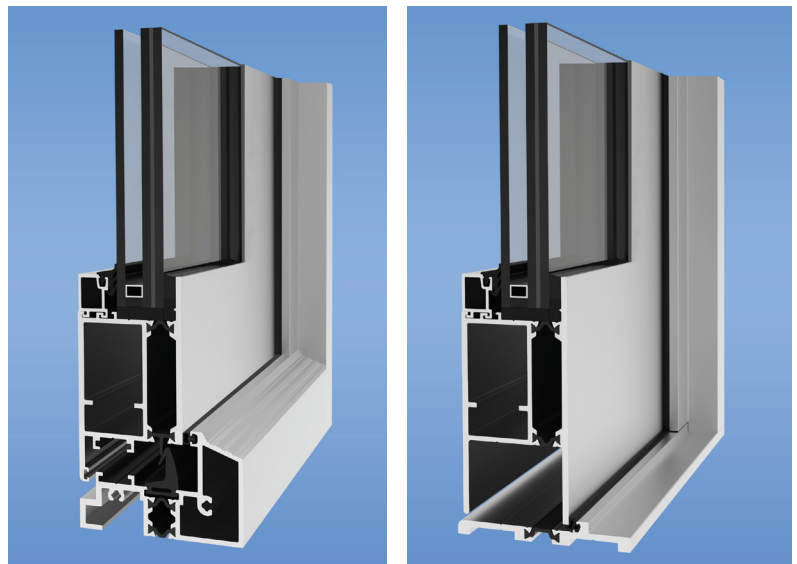
The YTD 350 TH utilizes a multi point locking system that secures the door leaf to the frame on three sides with up to 17 locking points, depending on security and design pressure required. With one upward motion on the door handle, the deadbolt and a series of mushroom head pawls engage into keepers on the frame. Polyamide connecting bars and aluminum and stainless spring steel corner transmissions link all locking points. The thumbturn can then be used to secure the door in the locked position.



Multi Point Locking System

Low Profile Option

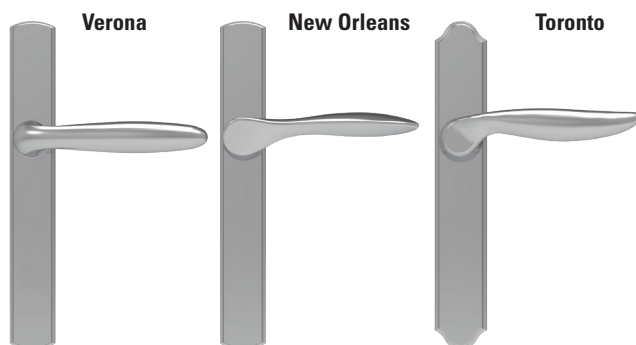
The Low Profile Threshold option is intended to integrate into designs that require FHA-compliant access to balconies and terraces. Compliance can depend on hardware, approach area, reach, forces and motion; and therefore, must be verified by the architectural and engineering team for each application. With properly designed building conditions and correct installation, YKK AP low profile threshold components will meet accessibility criteria per the **FAIR HOUSING ACT REGULATIONS 24 CFR 100.205 Chapter 4**. "Thresholds and Accessibility Routes at Exterior Doors."



Standard Threshold

Low Profile Threshold

Door Handle Styles



Finishes: Pure White, Matte Black, Satin Nickel, Brushed Chrome, Rustic Umber

You can view our terrace door hardware options by selecting the balcony hardware sheets on our product guide at www.ykkap.com

Additional information including CAD details, CSI specs, test reports and installation instructions are found on the Product Guide by clicking this link or visiting www.ykkap.com/commercial/productguide