



www.ykkap.com

Marriott Manhattan - New York City, NY

YCU 750 TU

Thermally Broken, Unitized Curtain Wall System

The **YCU 750 TU** is a unique, thermally broken, dry glazed unitized curtain wall system designed for maximum design flexibility. Our Drop-in adjustable slab and slab edge anchors allow rapid job-site dry-in with reduced field labor. Efficient shop assembly is aided by YKK AP's screw spline technology.

- Unitized design for greater performance:
 - ◆ Designed for easy and fast fabrication – 90 degree cuts and minimal notching
 - ◆ Assemble and dry glazed in the shop
 - ◆ Less time with quick/efficient installation
- Enhanced design flexibility:
 - ◆ Dual finish option (interior – exterior)
 - ◆ Variety of face covers – rich looking
Double Cap exterior covers are standard
 - ◆ Optional molded corner gaskets
 - ◆ 90 degree inside and outside corners

Configuration:

Glazing	Glass Setting	Installation
Outside	Front Set	Unitized

Thermal Values:

U-Factor:	Values as low as 0.35*
CRF:	Minimum 71 frame and 65 glass

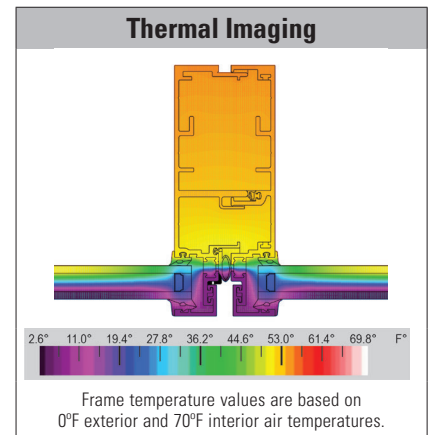
*Based on AAMA 507. Lower values may be achieved through further simulation.



YCU 750 TU SPECS		
Base Depth	7-1/2"	
Sightline	3"	
Config	Unitized / Front Set	
Tested Glass	1" IGU with Low-E (C.O.G. U-Factor: 0.29)	
Test	Results	Standards
Air Infiltration	0.06 CFM/FT ² (1.10 m ³ /h·m ²) @ 6.24 PSF (299 Pa)	ASTM E 283
Water Infiltration	Static: 20 PSF (958 Pa) Dynamic: 20 PSF (958 Pa)	ASTM E 331 AAMA 501
Acoustical (1" IGU)	Standard STC: 33 Standard OITC: 27	ASTM E 90 ASTM E 1425
	Laminated STC: 37 Laminated OITC: 30	

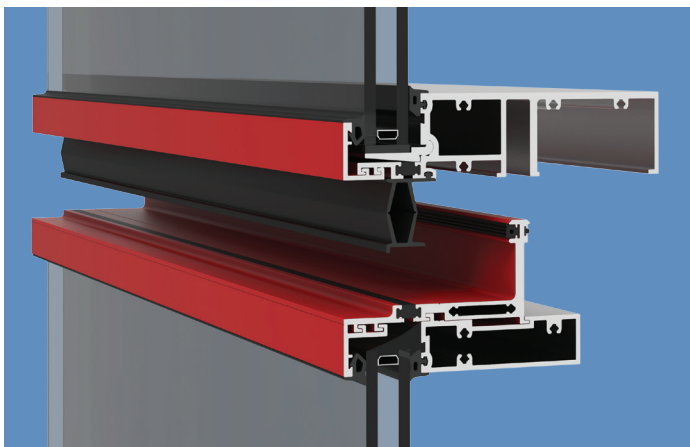
Thermal Performance								
Mullion Depth	U-Factor - BTU/hr·ft ² ·°F						CRF	
3" x 7-1/2"	0.43	0.41	0.40	0.38	0.37	0.35	71	65
Center of Glass	0.30	0.28	0.26	0.24	0.22	0.20	Frame	Glass
AAMA 507 & NFRC 100							AAMA 1503	

Finish Options	
Type	Standard
Factory Anodized	AAMA 612
Organic Paints	AAMA 2604 AAMA 2605

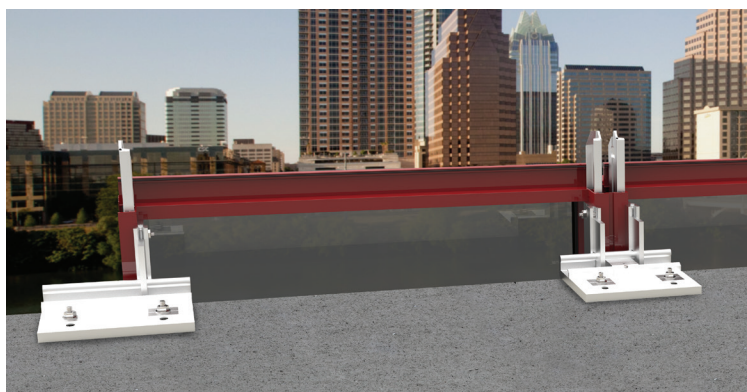


Thermally Broken

Pour and Debridged system improves thermal performance which helps maintain ambient temperatures inside the building, and reduces overall operating costs.

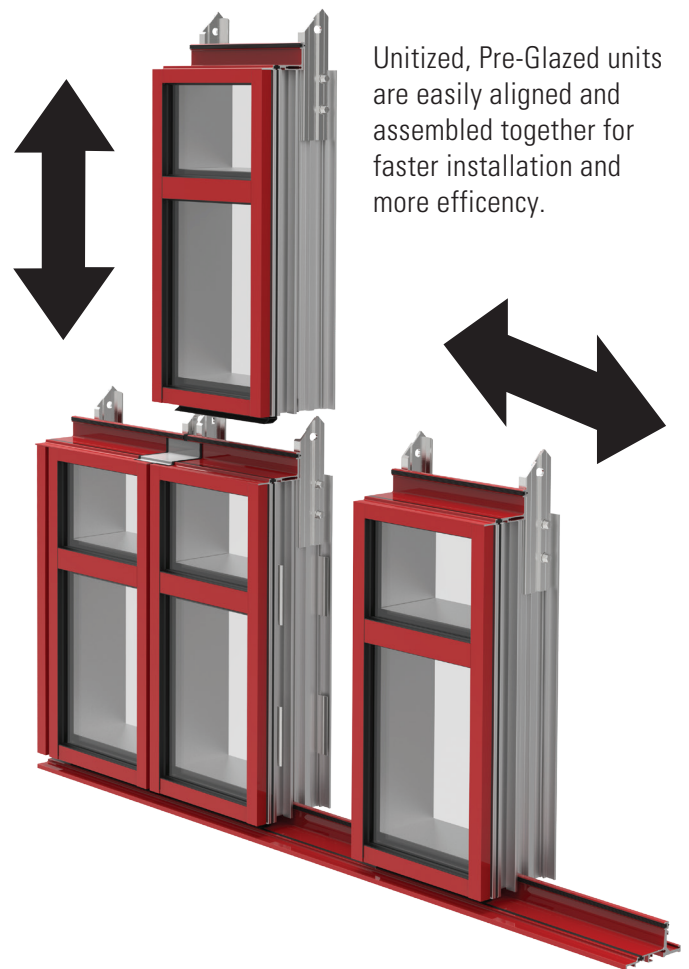


Top, bottom, or front of slab anchor designs allow for adjustments to compensate for tolerance variations typical in slab construction.



Ease of Assembly

Unitized, Pre-Glazed units are easily aligned and assembled together for faster installation and more efficiency.



Additional information including CAD details, CSI specs, test reports and installation instructions are found on the Product Guide by clicking this link or visiting www.ykkap.com/commercial/productguide