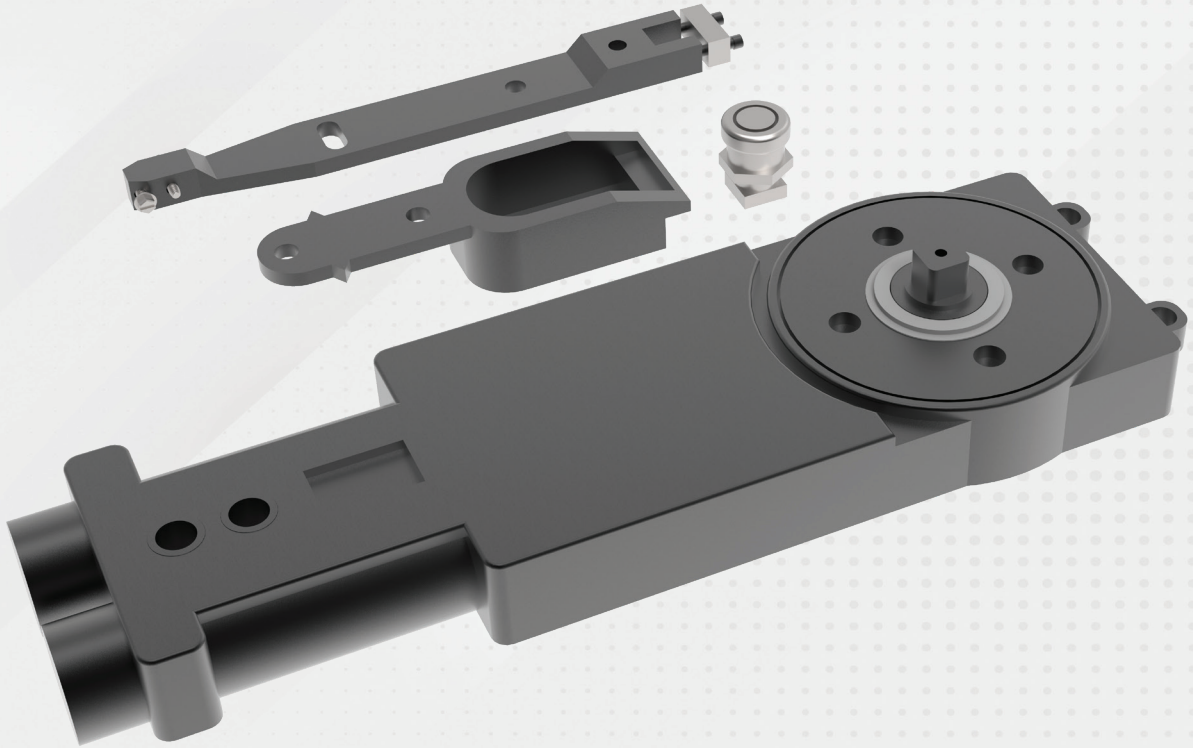


**YKK
AP**

Commercial
Standard Entrance
Hardware



Description

- Single and double acting non-handed concealed door closer. Closer fits 1-3/4" x 4" (44.5mm by 101.6mm) transom bar or header.
- Closers have 90 degree or 105 degree back stop with optional hold open device (specify).
- Closers that are two-speed type with a preset closing speed and adjustable latching speed.
- Closers that are offset type for use with standard offset pivots or butt hinges.
- Available with light and heavy duty spring and also with adjustable spring.

Compatible Entrances

20D/35D/50D & 40M/50M

Material Composition

Aluminum Alloy with Mill

Finishes

Coated Finish: 628 Clear or 335 Black

YKK AP Part Number

H-6253: OHCC with 105° Hold Open (HO)
H-6254: OHCC with 105° No Hold Open (NHO)
H-6255: OHCC with 90° Hold Open (HO)
H-6256: OHCC with 90° No Hold Open (NHO)

Hardware Vendor



Vendor Part or Series

Calibre 1100 and 3300 Series

H-6253 / H-6254 / H-6255 / H-6256

Standard Overhead Concealed Closers (OHCC) and Kit for Center Hung Pivots