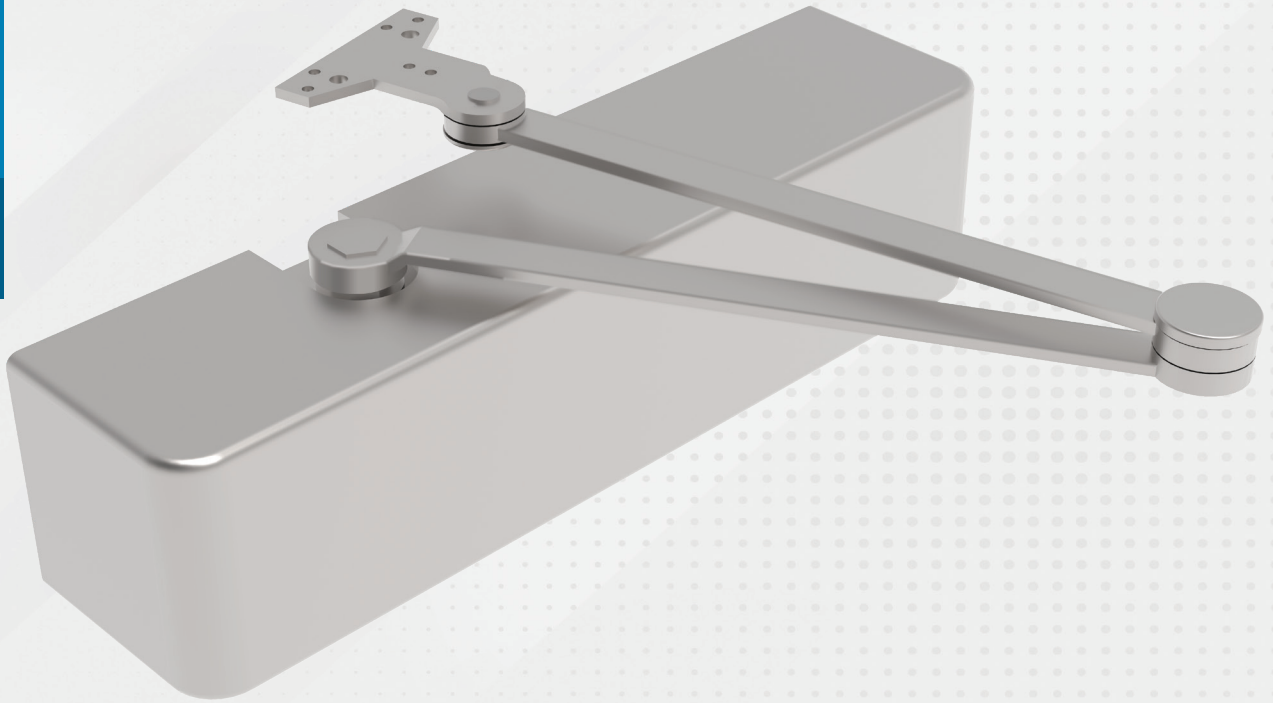


**YKK
AP**®

Commercial
Standard Entrance
Hardware



Description

- Full rack and pinion type with cast aluminum body using non-gumming and non-freezing hydraulic fluid. Closer has two valves, hex key operated to independently regulate closing and latching speeds. Adjustable backcheck is standard on all closers. Closer meets Federal Specs FF-H-121C.
- Closers are non-handed with or without hold open arms (specify one). All mounting brackets are included.
- Closers with optional adjustable spring power for opening force size settings 1 thru 4 are also available.

Compatible Entrances

40M/50M & 35H/50H

Material Composition

Aluminum Alloy and Plastic Cover

Finishes

Coated Finish: 628 Clear or 335 Black

YKK AP Part Number

H-6104: Standard Closer

Hardware Vendor

ALLEGION™ 

Vendor Part or Series

Allegion LCN 4040XP Closer

Certifications

- ANSI/BHMA A156.4, adjustable sizes 1-6
- ADA Compliant ANSI A117.1 Accessibility
- UL/cUL Listed for up to 3 hours
- UL10C Positive Pressure Rated
- UL10B Neutral Pressure Rated
- Lifetime Warranty

H-6104

Standard Surface Mounted Closer