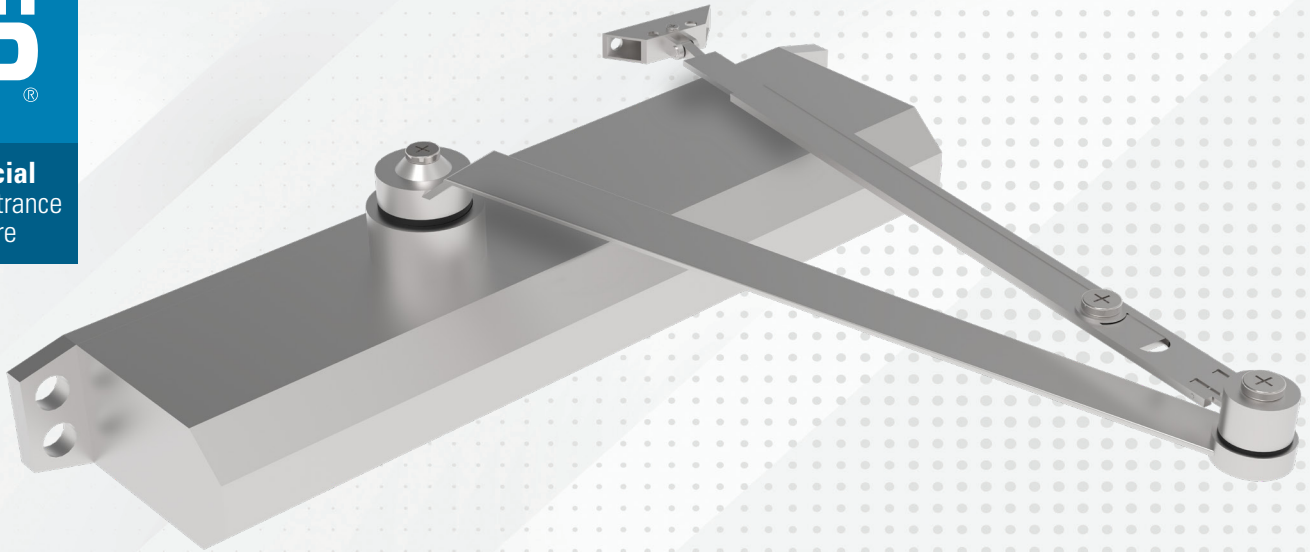


**YKK  
AP**

**Commercial**  
Standard Entrance  
Hardware



## Description

- Full rack and pinion type with cast aluminum body using non-gumming and non-freezing hydraulic fluid. Closer has two valves, hex key operated to independently regulate closing and latching speeds. Adjustable backcheck is standard on all closers. Closer meets Federal Specs FF-H-121C.
- Closers are non-handed with or without hold open arms (specify one). All mounting brackets are included.
- Closers with optional adjustable spring power for opening force size settings 1 thru 4 are also available.

## Compatible Entrances

20D/35D/50D, 40M/50M, 25T/35T/50T, 25FD & 35XT/50XT

## Material Composition

Aluminum Alloy

## Finishes

Coated Finish: 628 Clear or 335 Black

## YKK AP Part Numbers

**H-6101:** with Back Check Non-Hold Open Preset

**H-6102:** with Hold Open

**H-6103:** with Delayed Action

## Hardware Vendor



## Vendor Part or Series

Hager 5300 Series Closer

## Certifications

- ANSI/BHMA A156.4, adjustable sizes 1-6
- ADA Compliant ANSI A117.1 Accessibility
- UL/cUL Listed for up to 3 hours
- UL10C Positive Pressure Rated
- UL10B Neutral Pressure Rated
- Lifetime Warranty

# H-6101 / H-6102 / H-6103

Standard Surface Mounted Closers