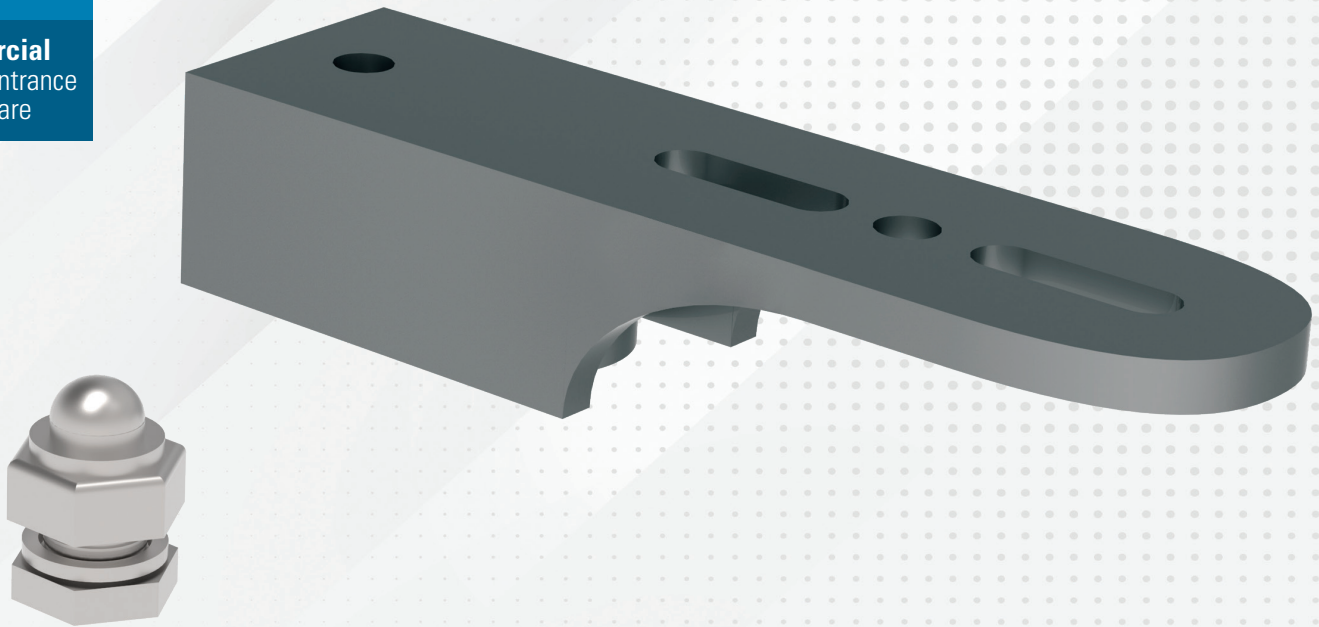


**YKK
ap**®

Commercial
Standard Entrance
Hardware



Description

- Frame portion (with or without threshold): Extruded machined aluminum with adjustable pin.
- Threshold portion contains a ball bearing and anadjustable pivot pin.
- **Without threshold:** Stainless steel pivot pin; not adjustable in the pivot housing.
- **Door portion:** Steel clamping bolt threaded into cast aluminum pivot block.

Application

- **Entrances with thresholds:** Pivot is anchored to frame and threshold. Frame part has an adjustable pin for proper door and frame clearance.
- **Entrances without thresholds:** Frame portion is securely fastened to frame and directly to floor.
- Use top and bottom center pivots with surface mounted closer or bottom pivot only with concealed overhead closer.

Compatible Entrances

20D/35D/50D & 40M/50M

Material Composition

Steel and Stainless Steel Pivot

Hardware Vendor



Vendor Part or Series

Calibre 3010-GE

H-2501

Standard Bottom Center Pivot Package