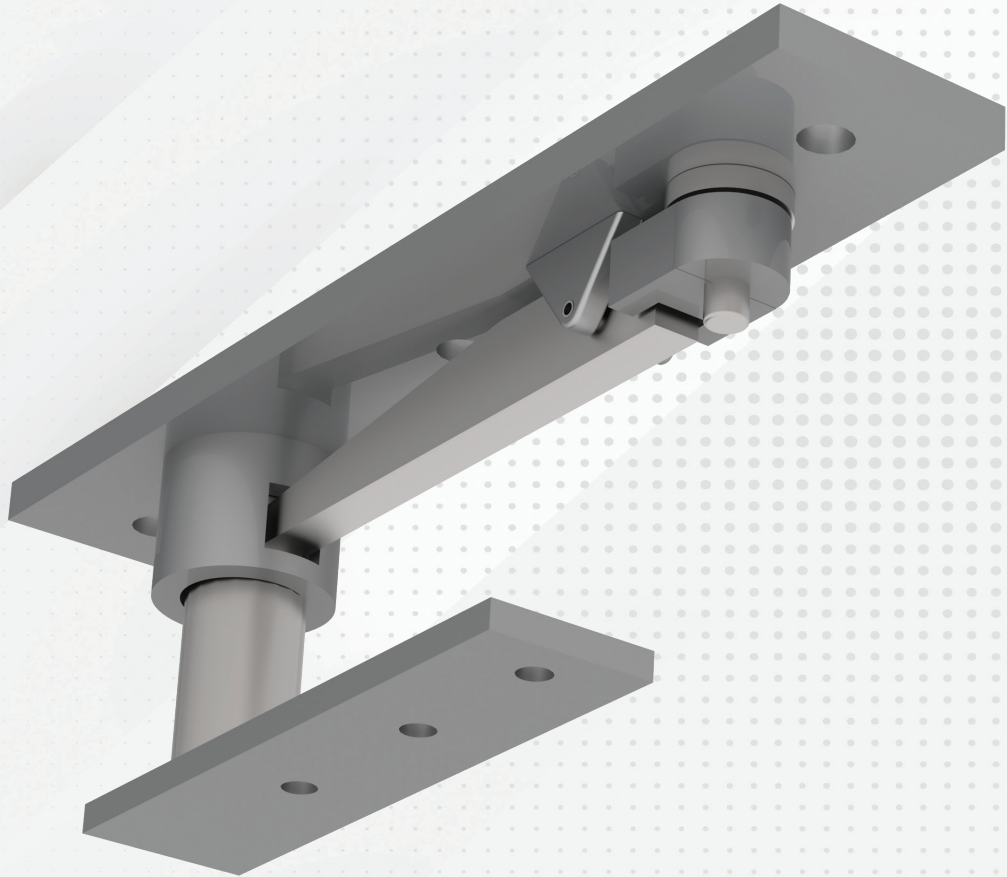


**YKK  
ap**®

**Commercial**  
Standard Entrance  
Hardware



## Description

- Cast aluminum “Walking Beam Type” frame pivot portion with hardened steel pivot pin for additional extension through transom bar/header.
- Door pivot portions are machined aluminum with oilite bronze self-lubricating bearings; top center hung pivot parts are concealed.

## Application

- Use in conjunction with center hung doors with floor closers.
- Use top and bottom center pivots with surface mounted closer or top pivot only with floor closer.

## Compatible Entrances

20D/35D/50D & 40M/50M

## Material Composition

Steel with Stainless Steel Pin

## Finishes

Cast Aluminum with Mill on Door Portion

## Hardware Vendor



## Vendor Part or Series

Calibre 500-PF-1

# H-2401

Standard Top Walking Beam Center Pivot