

Luminance[®]

Light Shelf System for Curtain Walls, Window Walls and Storefronts



Product Description

The Luminance[®] Light Shelf system incorporates modern design elements and maintenance features offering the most attractive and functional light shelf system on the market. This unique system is constructed from high quality aluminum extrusions and a lightweight, rigid honeycomb core panel with a durable melamine surface.

Luminance incorporates a unique assembly process that includes a tilt-down panel feature allowing easy maintenance of the light reflecting surface and the glazing above it. This surface is highly reflective and slightly textured, yielding a penetrating, diffused light deeper into the interior space. Luminance is the ideal complement to YKK AP's ThermaShade[®] and together provides a complete sun control solution.

Product Options & Features

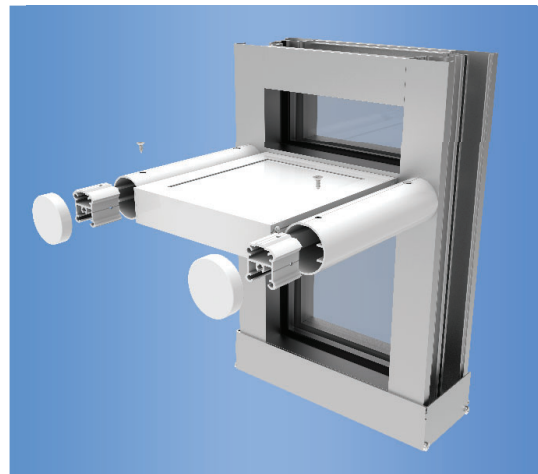
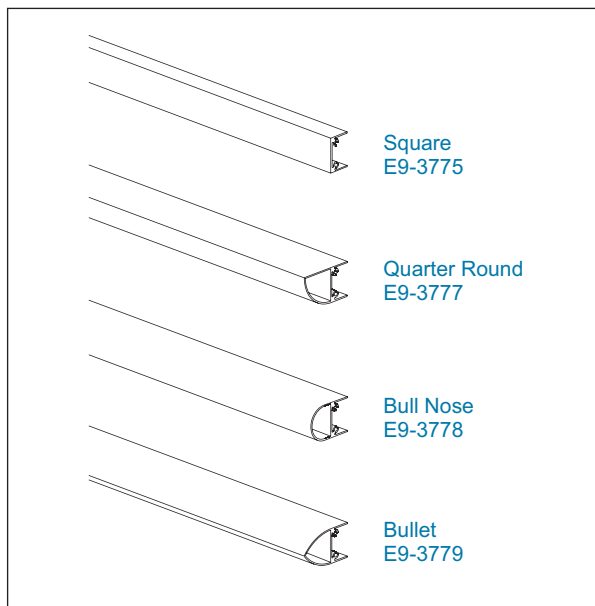
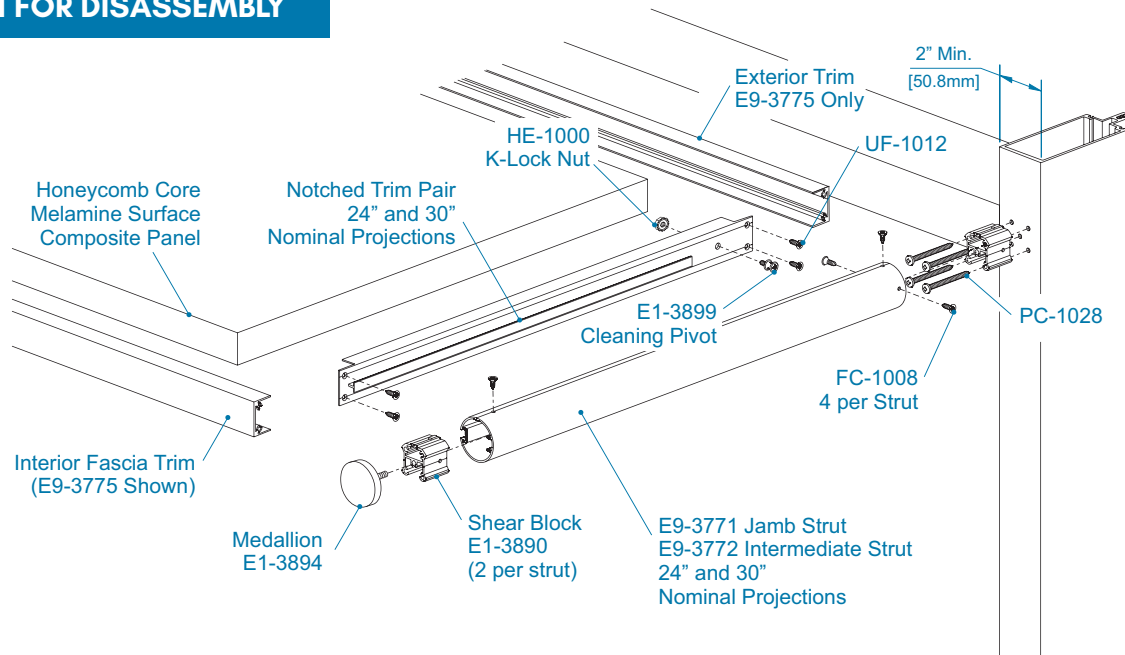
- Modular components simplify fabrication, installation and replacement
- Can be applied to all YKK AP systems that have a minimum 2" interior face dimension
- All fabrication and most assembly can be completed in the shop, reducing overall cost
- The pivoting panel feature makes each modular panel component very easy to clean



SYSTEM SPECIFICATIONS

System Sightline	Base Depth	Glazing & Config	Glass	Air Infiltration	Water Infiltration	Thermal Performance	Acoustical Performance
System Specifications will vary depending on the base Curtain Wall, Storefront or Window Wall System that is used. Please refer to the specific system CSI specifications or the Test Reports.							
Testing Standards				ASTM E 283	ASTM E 331 & AAMA 501	* NFRC 100 & ** AAMA 1503	ASTM E 90 & 1425
System Options				Various attachments for Curtain Walls, Window Walls and Storefronts			
Available Finishes				Factory Anodized (AAMA 612) and Organic Paints (AAMA 2604 & AAMA 2605)			

DESIGN FOR DISASSEMBLY



Easy to disassemble and clean for maximum light projection

Additional information including CAD details, CSI specifications, Test Reports, Fenestration Product Rating Certificates and Installation instructions are available online at: www.ykkap.com/commercial/product/sun-control/luminance/