

YSD 600 TH

Thermally Broken and Impact Resistant Sliding Door

ProTek



YKK AP Hurricane & Blast Solutions

Architectural Grade Sliding Door

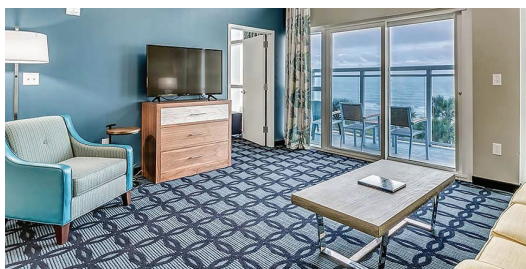
The YSD 600 TH is a thermally broken, impact resistant architectural (AW) rated sliding glass door designed to provide greater energy efficiency and occupant comfort. The engineering behind the design concept provides enhanced structural capabilities by using aluminum reinforcement instead of steel. This sliding door is designed to accept standard tempered 1" insulated or laminated 1-3/16" insulated units. All panels, fixed and operable, may be pre-glazed in the shop to take advantage of a controlled environment and less expensive labor.

Product Options & Features

- Available configurations: OX, XO, OXO, OOX, XOO, OOOX, XOOO, OXOO, OOXO, XOOX & OXXO
- Florida Product Approval - HVHZ with +100/-120 PSF
- Thermally broken by ThermaBond Plus® (frame) and MegaTherm® (panels) technology
- Factory glazing and Screens
- Standard heavy-duty hardware, including stainless steel tandem rollers & track cover for years of worry-free operation
- Available with optional low-profile sill (Available 2 & 3 panel configurations only)

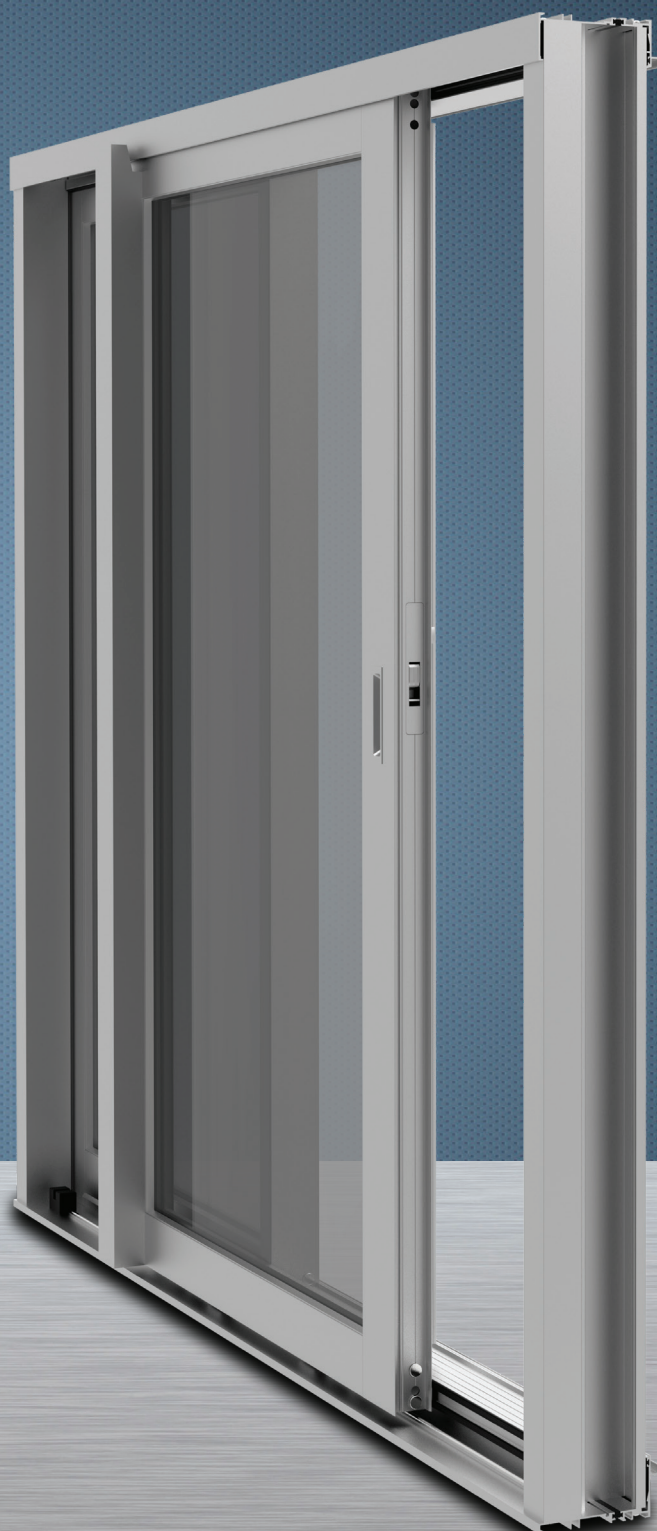
U-Factor Values as low as 0.46*

*Based on AAMA 507. Lower values may be achieved through further simulation.



YKK
ap

Quality
inspires®



YSD 600 TH

SYSTEM SPECIFICATIONS

System Depth	Glass	Air Infiltration	Water Infiltration	Acoustical Performance	Forced Entry Resistance
6"	1-3/16" Laminated IGU with (C.O.G. U-factor: 0.29)	Sliding Doors: 0.30 CFM/FT ²	Static: 18 psf (861 Pa) Low-Profile: 12 psf (574 Pa) Dynamic: 18 psf (861 Pa)	Lam STC: 33 Lam OITC: 30	Tested in accordance and meets the requirements of Performance Grade 10
Testing Standards		ASTM E 283	ASTM E 331 & 547	ASTM E 90 & 1425	ASTM F 842 & TAS 202
Structural Performance		AW Performance Grade 75			
Available Finishes		Factory Anodized (AAMA 612) and Organic Paints (AAMA 2605)			

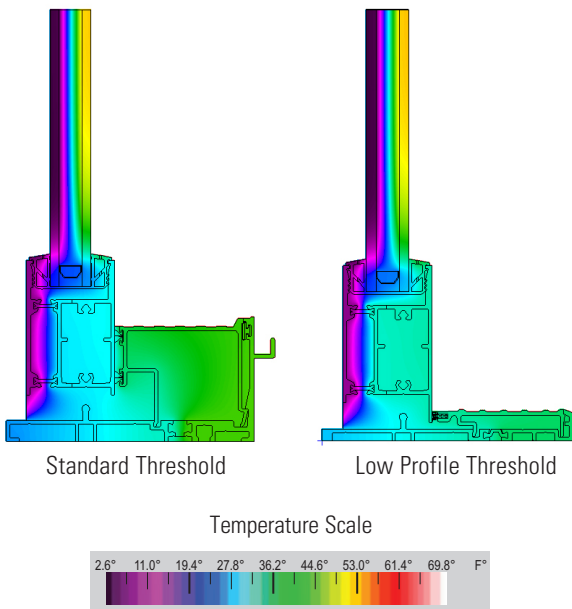
Configuration will affect specifications.

Thermal Performance						
1-3/16" IGU		BTU/hr·ft ² ·°F				
C.O.G U-Factor	0.30	0.28	0.26	0.24	0.22	0.20
Standard Threshold	0.52	0.51	0.50	0.48	0.47	0.46
Testing Standards	AAMA 507					

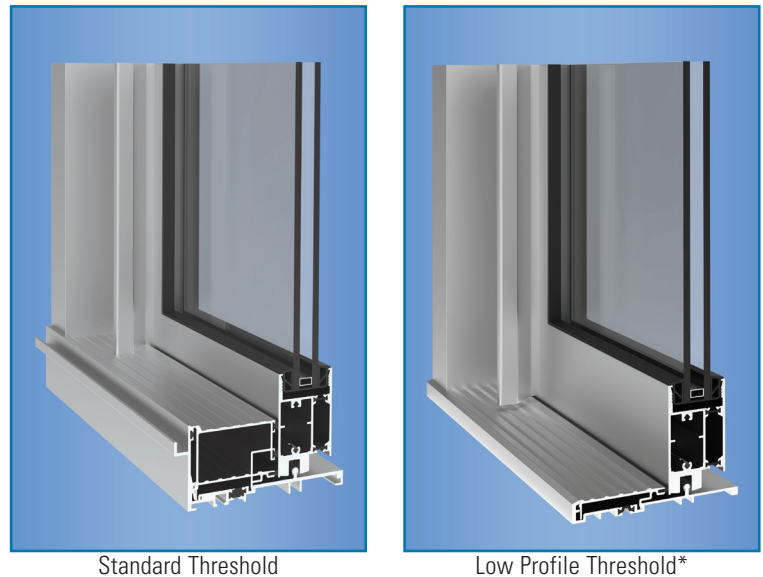
CRF	
Frame	Glass
Not Tested	Not Tested
AAMA 1503	

THERMAL IMAGING

Frame temperature comparison values based on 0° exterior, and 70° interior air temperatures.



LOW PROFILE OPTION



*The Low Profile Threshold option is intended to integrate into designs that require low threshold access to balconies and terraces.

Additional information including CAD details, CSI specifications, Test Reports and Installation instructions are available online at: www.ykkap.com/commercial/product/sliding-doors/ysd-600-th/