

YCW 750 XT IG

Advanced Thermal Performing Curtain Wall System

enerGfacade®



A High Performance Curtain Wall System for Inside Glazing

Engineered to meet and exceed the most stringent green building codes and standards, the YCW 750 XT IG is an inside glazed high performance curtain wall system utilizing MegaTherm® thermal struts for superior energy efficiency. When inside glazing is not permissible, optional horizontals are available for outside glazing. The insulating glass rests on integrated structural supports, diverting the dead load away from the thermal barriers ensuring long-term structural integrity.

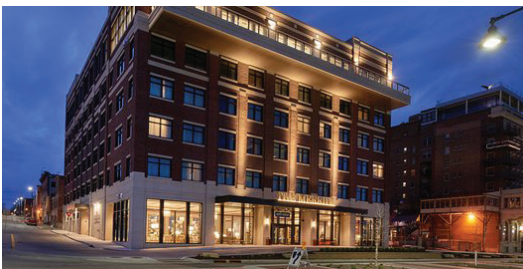
Product Options & Features

- Superior thermal performance using standard 1" insulating glass
- Integrates in building's air-vapor barrier system
- Optional integral thermally broken sill flashing available
- Dual finish option on the interior and exterior utilizing custom face covers
- Optional SSG vertical member available

U-Factor Values as low as 0.21*

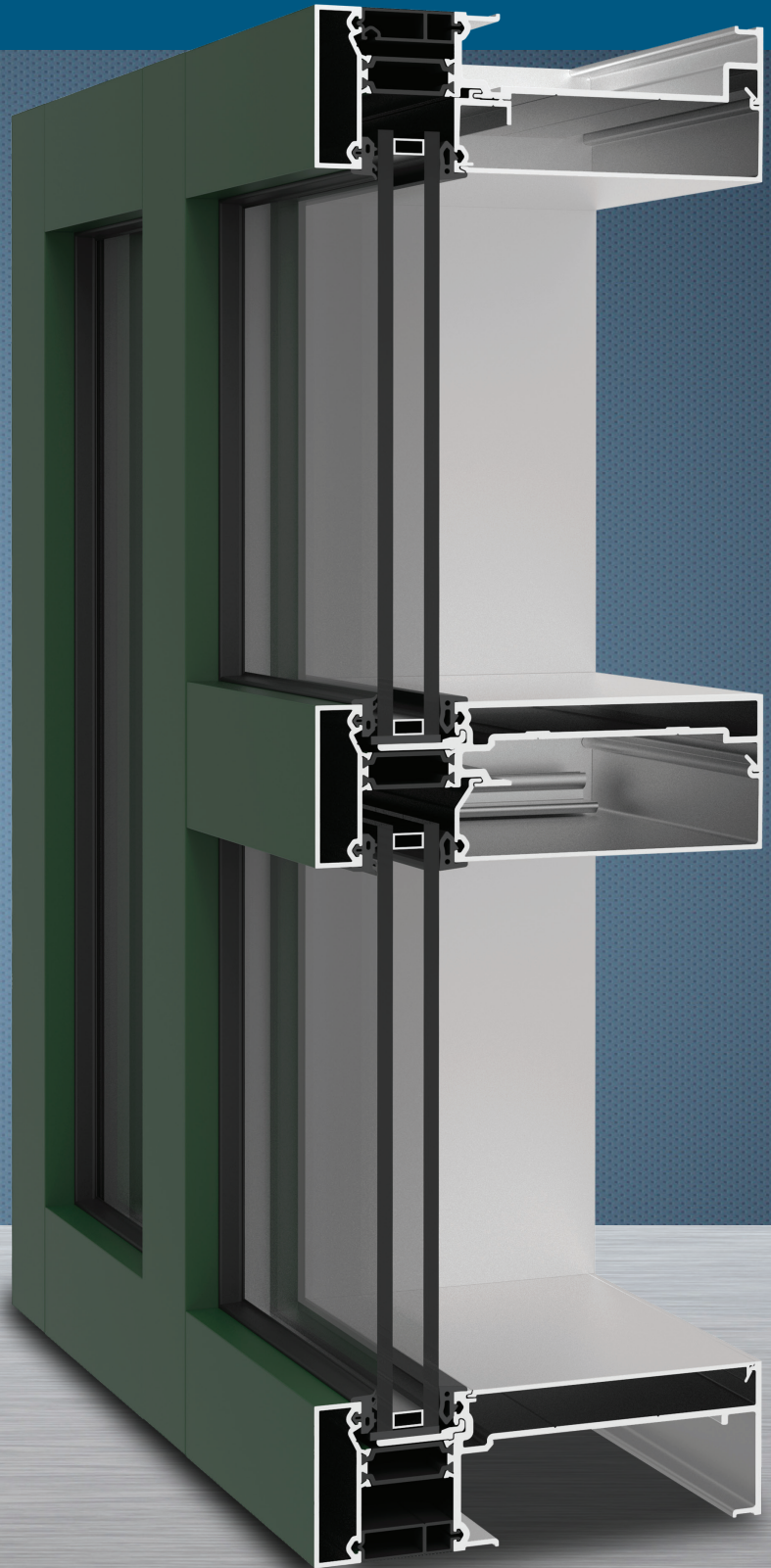
CRF Minimum 78_{frame} & 72_{glass}

*Based on AAMA 507. Lower values may be achieved through further simulation.



**YKK
ap**

Quality
inspires®



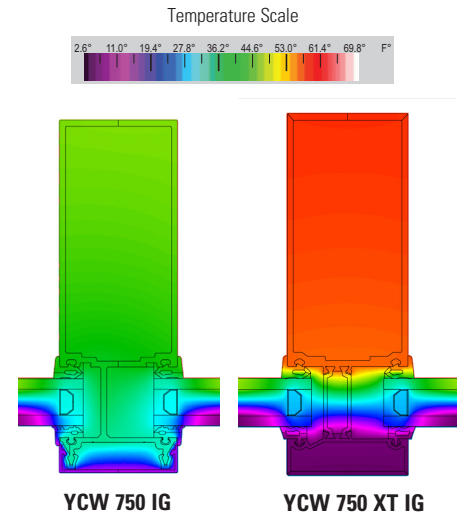
YCW 750 XT IG

SYSTEM SPECIFICATIONS

System Sightline	Base Depth	Glazing & Config	Glass	Air Infiltration	Water Infiltration	Acoustical Performance
2-1/2"	7-1/2"	Inside & Front Set	1" IGU with Low-E (C.O.G. U-factor: 0.29)	0.06 CFM/FT ² (1.10 m ³ /h·m ²) @ 6.24 PSF (299 Pa)	Static: 15 PSF (718 Pa) Dynamic: 15 PSF (718 Pa)	Std STC: 31 Std OITC: 25
Testing Standards				ASTM E 283	ASTM E 331 & AAMA 501	ASTM E 90 & 1425
Available Finishes				Factory Anodized (AAMA 612) and Organic Paints (AAMA 2604 & AAMA 2605)		

Thermal Performance						
1" IGU with LowE			BTU/hr·ft ² ·°F			
C.O.G. U-factor	0.32	0.30	0.28	0.26	0.24	0.22
2-1/2" x 7-1/2"	0.40	0.38	0.36	0.35	0.33	0.31
C.O.G. U-factor	0.20	0.18	0.16	0.14	0.12	0.10
2-1/2" x 7-1/2"	0.30	0.27	0.26	0.24	0.22	0.21
Testing Standards	NFRC 100					

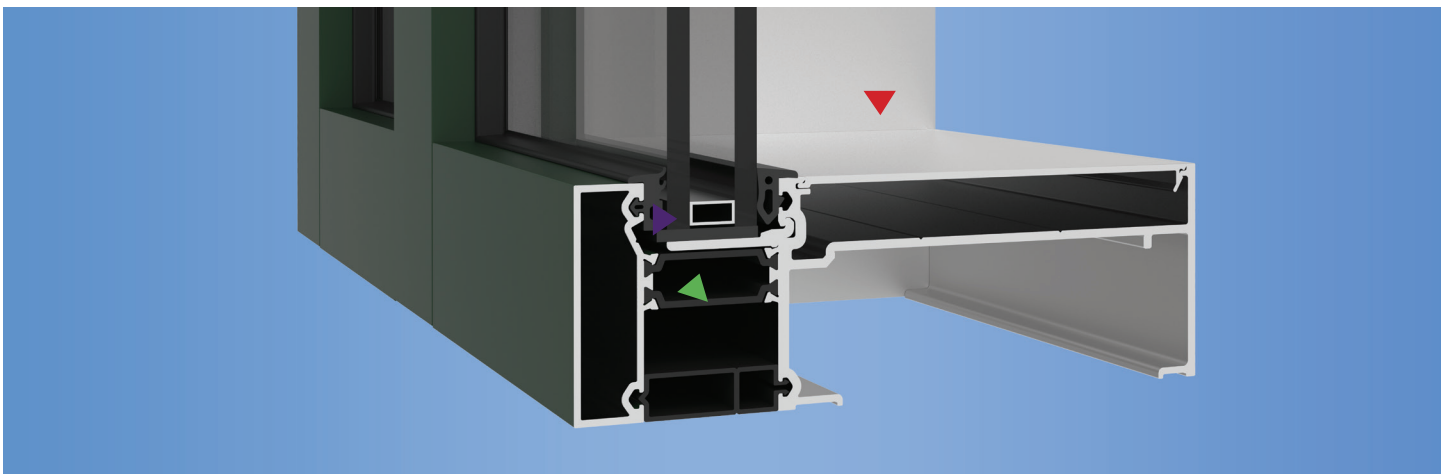
CRF	
Frame	Glass
78	72
Frame	Glass
78	72
AAMA 1503	



Frame temperature comparison values based on 0° exterior, and 70° interior air temperatures.

ZOOM MULLION VIEW

- ▼ **DUAL THERMAL BARRIER** - Deep Polyamide Struts (6/6 with glass fibers on all three axes)
- ▼ **WARMER INTERIOR SURFACES** - Greater occupant comfort and increased resistance to condensation, with CRF_f values up to 82
- ▼ **INTEGRATED STRUCTURAL SUPPORT** - Carry dead load of the insulating glass, diverting load away from polyamide struts



Additional information including CAD details, CSI specifications, Test Reports, Fenestration Product Rating Certificates and Installation instructions are available online at: www.ykkap.com/commercial/product/curtain-walls/ycw-750-xt-ig/