

YUW 750 XT

Unitized Curtain Wall System with Advanced Thermal Performance



Shop-Glazed, High Performing Unitized Wall System

The YUW 750 XT is a unique and versatile unitized wall system designed to curb a building's energy appetite and protect against interior moisture. The system is designed to be assembled and glazed in a climate controlled environment for increased quality assurance of critical seals. Complete units are then shipped directly to the jobsite permitting rapid installation and dry-in of low to mid-rise commercial buildings.

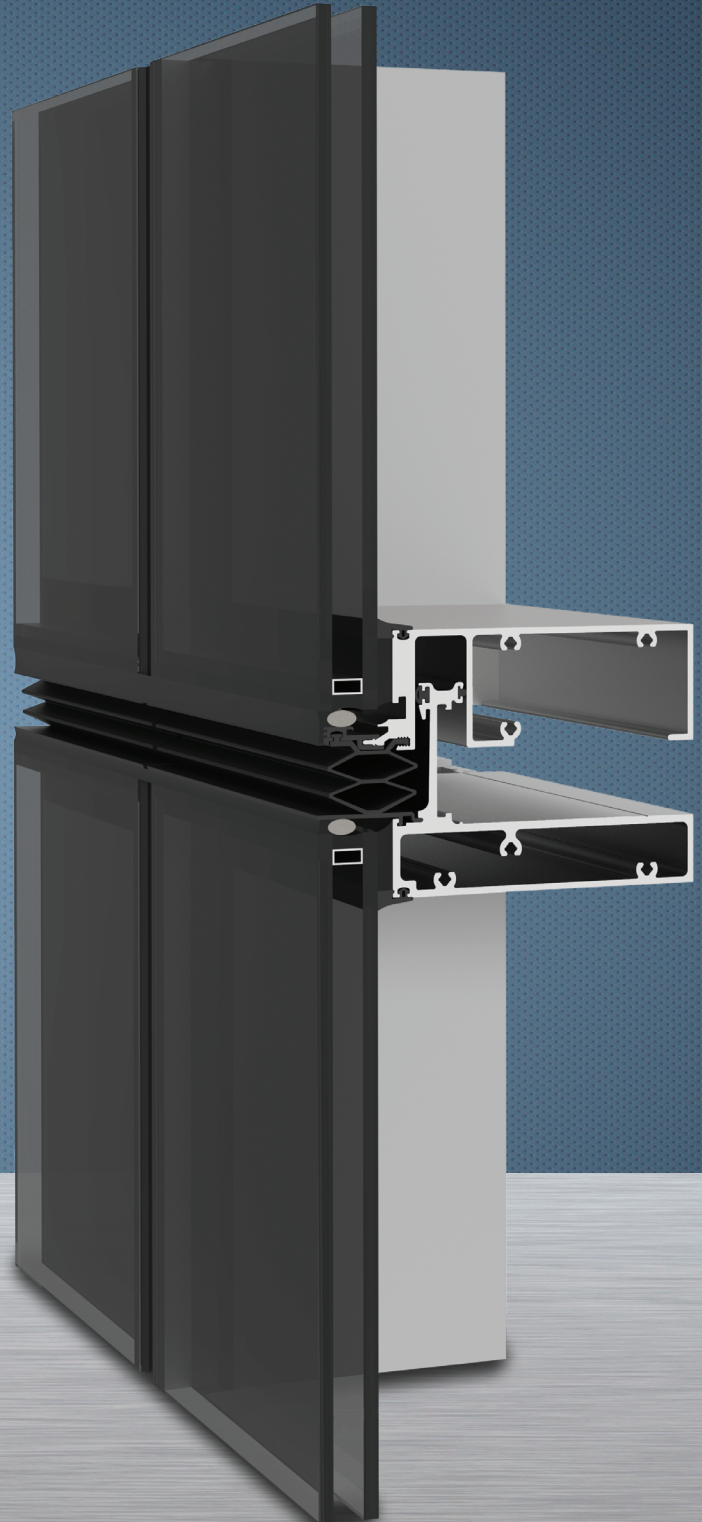
Product Options & Features

- Versatile Framing Design:
 - ◆ 4-sided captured: 2-1/2" sightline
 - ◆ 2-sided SSG (horiz/vert)
 - ◆ 4-sided structural silicone glazing
- Advanced thermal barrier lowers heat transfer, improved comfort and condensation resistance
- 3-way adjustable curtain wall anchors
- Silicone setting blocks and stack gasket
- Dual Finish capability for interior and exterior

U-Factor Values as low as ^{Captured} **0.30** / ^{SSG} **0.33***

CRF Minimum **72** frame & **68** glass

*Based on AAMA 507. Lower values may be achieved through further simulation.



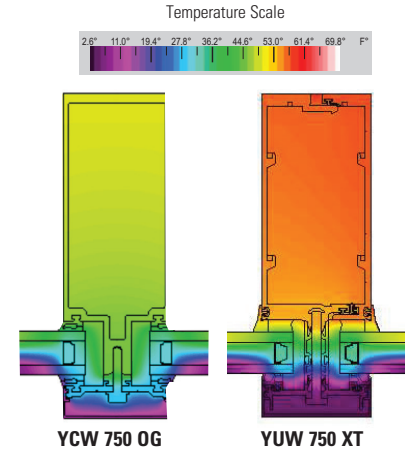
YUW 750 XT

SYSTEM SPECIFICATIONS

System Sightline	Base Depth	Glazing & Config	Glass	Air Infiltration	Water Infiltration	Acoustical Performance
2-1/2"	7-1/2"	Inside or SSG & Front Set	1" IGU with Low-E (C.O.G. U-factor: 0.29)	0.06 CFM/FT ² (1.10 m ³ /h-m ²) @ 6.24 PSF (299 Pa)	Static: 20 PSF (957 Pa) Dynamic: 20 PSF (957 Pa)	Std STC: 33 Std OITC: 28
Testing Standards				ASTM E 283	ASTM E 331 & AAMA 501	ASTM E 90 & 1425
Mullion Options				Depths: 6" and 7-1/2" Members: Anchors, 90° inside corner, 90° outside corner		
Available Finishes				Organic Paints (AAMA 2604 & AAMA 2605)		

Thermal Performance						
1" IGU with LowE						
	BTU/hr-ft ² -°F					
C.O.G. U-factor	0.30	0.28	0.26	0.24	0.22	0.20
Captured	0.39	0.37	0.35	0.34	0.32	0.30
SSG	0.42	0.40	0.38	0.37	0.35	0.33
Testing Standards	NFRC 100					

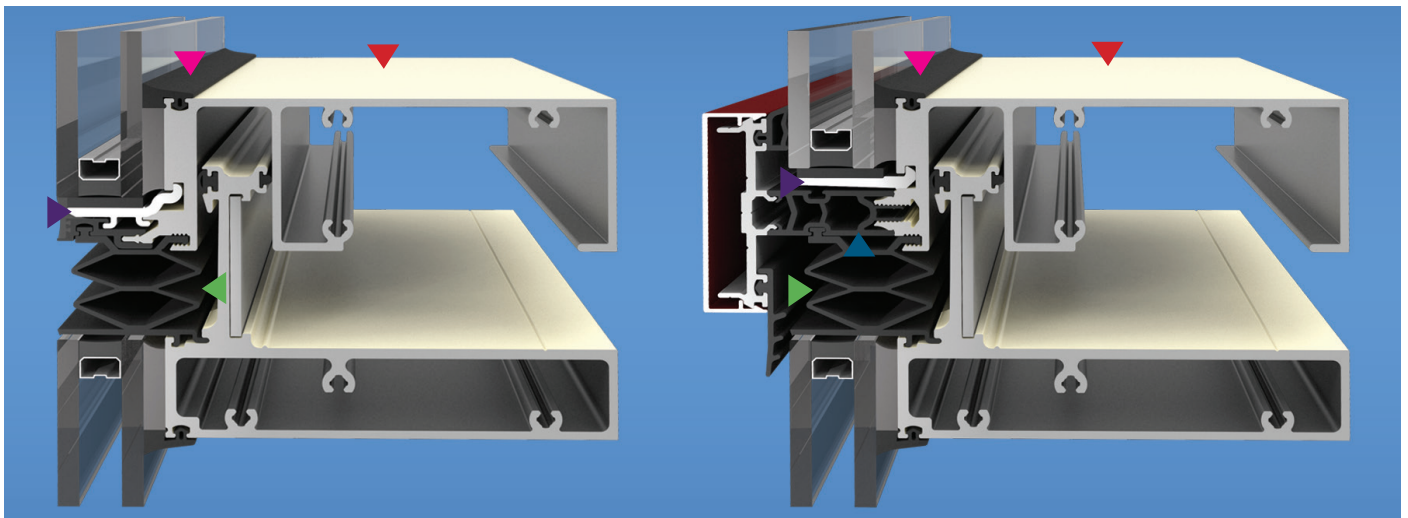
CRF	
Frame	Glass
74	68
72	68
AAMA 1503	



Frame temperature comparison values based on 0° exterior, and 70° interior air temperatures.

ZOOM MULLION VIEWS

- ▼ **DOUBLE DIAPHRAGM STACK GASKET** - Maximizes expansion /contraction creating insulating dead air chambers. Total vertical movement = ± 3/4"
- ▼ **WARMER INTERIOR SURFACES** - Greater occupant comfort and increased resistance to condensation
- ▼ **INTEGRATED STRUCTURAL SUPPORT** - Carry deadload of the insulating glass
- ▼ **CAPTURED MEMBERS** - Polyamide thermal barrier provides 1-1/4" separation for high thermal performance
- ▼ **AVOID MASKING TAPE / CLEAN UP** - Gasket / spacer allows silicone application from exterior



Additional information including CAD details, CSI specifications, Test Reports, Fenestration Product Rating Certificates and Installation instructions are available online at: www.ykkap.com/commercial/product/curtain-walls/yuw-750-xt/