

YUW 750 XTH

Advanced Thermal, Impact and Blast Resistant Unitized Wall System

ProTek

enerGfacade



Superior All-Around Performance

The YUW 750 XTH is an advanced thermally broken, unitized curtain wall system. Assembly and glazing in a climate controlled environment provides increased quality assurance of critical seals. Installation of complete units at the jobsite permits rapid installation and dry-in of low to mid-rise commercial buildings. Glazed with 1-5/16" glass for greater versatility in impact and blast applications, as well as better acoustical performance.

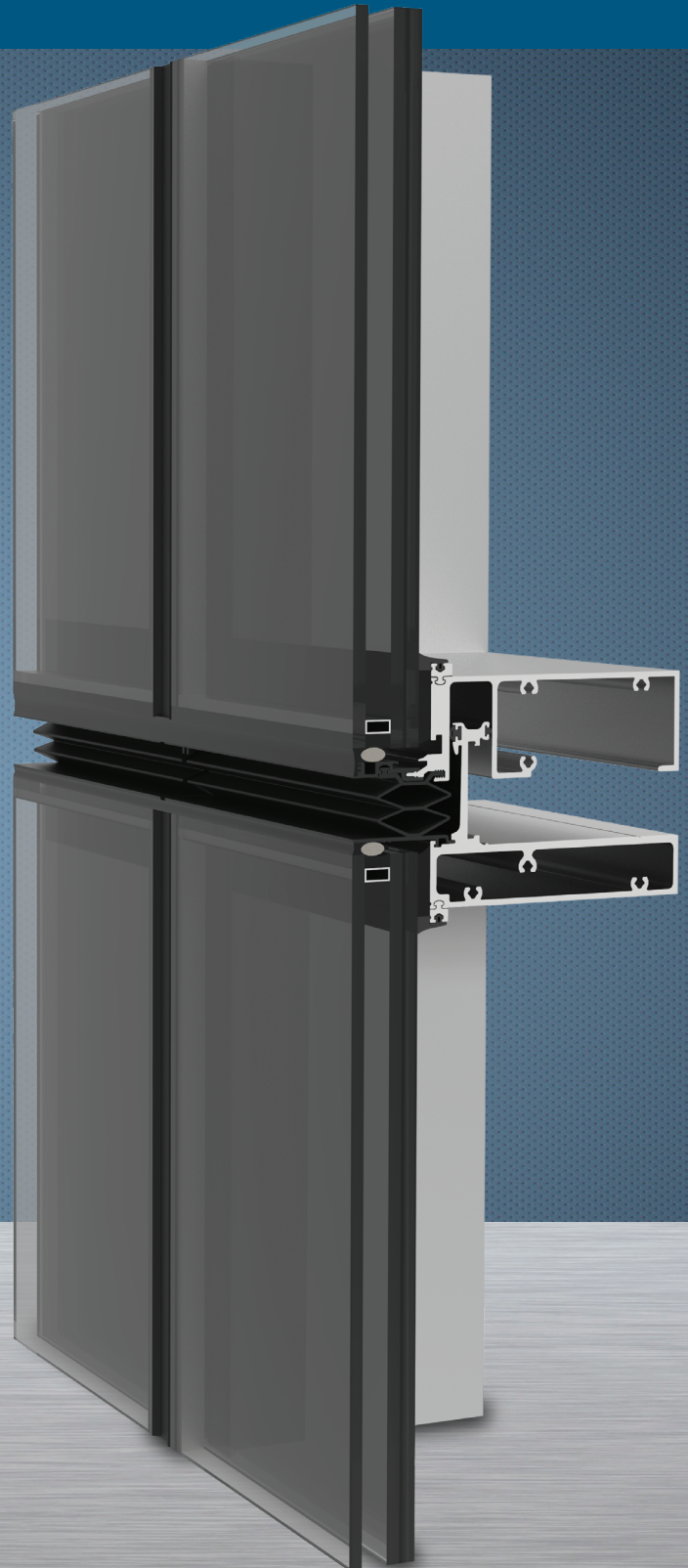
Product Options & Features

- **Hurricane Impact** – Large and Small Missile approval for IBC and Florida High Velocity Hurricane Zone
- **Blast Mitigation** – Static and Dynamic Analysis capability to meet DoD, GSA and VA standards
- Design Pressures to 80 psf
- Perimeter seals only exterior "field applied" sealant
- 3-way adjustable curtain wall anchors
- 90° inside and outside corners
- Silicone setting blocks and stack gaskets
- Dual Finish Capability (inside / outside finish)



YKK
ap®

Quality
inspires®



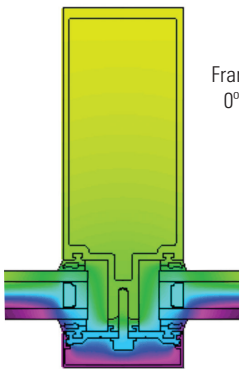
YUW 750 XTH

SYSTEM SPECIFICATIONS

System Sightline	Base Depth	Glazing & Config	Glass	Air Infiltration	Water Infiltration	Thermal Performance	Acoustical Performance
2-1/2"	6-5/16" or 7-13/16"	SSG & Front Set	1-5/16" IGU with Low-E (C.O.G. U-factor: 0.29)	0.06 CFM/FT ² (1.10 m ³ /h·m ²)	Static: 20 PSF (957 Pa) Dynamic: 20 PSF (957 Pa)	U-factor: 0.41 BTU/HR•FT ² •°F* CRF: Minimum of 75 on frame**	Lam STC: 37 Lam OITC: 32
Testing Standards				ASTM E 283	ASTM E 331 & AAMA 501	* NFRC 100 & ** AAMA 1503	ASTM E 90 & 1425
Optional Mullions				Depths: 6" and 7-1/2" Members: Anchors, 90° inside corner, 90° outside corner			
Available Finishes				Organic Paints (AAMA 2605)			

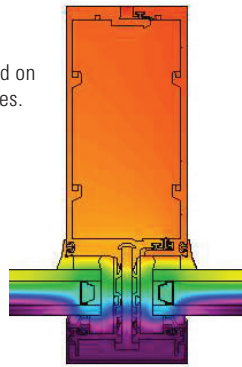
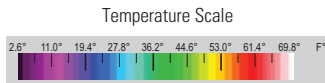
THERMAL IMAGING

SIMULATED USING THE XT SYSTEM, BUT SIMILAR RESULTS FOR THE XTH VERSION



YCW 750 OG

Frame temperature comparison values based on 0° exterior, and 70° interior air temperatures.



YUW 750 XT

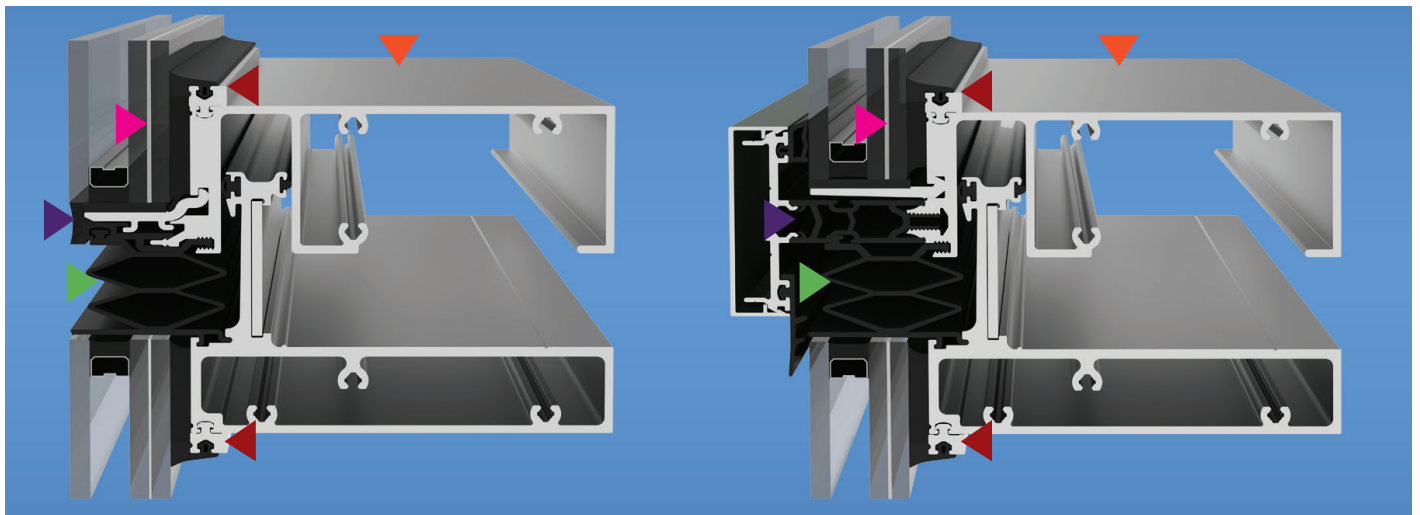
Note to Specifier: The U-factor and CRF for the glazed system as a whole will be affected by the characteristics of the glass that is used in accordance with AAMA 1503

- Thermal Transmittance U-factor:
 - 4-Side Captured: 0.41 BTU/HR/FT²/°F or less.
 - 4-Side SSG: 0.41 BTU/HR/FT²/°F or less.
- Condensation Resistance Factor (CRF): Minimum of 75.
 - Captured: 75 frame, 68 glass

ZOOM MULLION VIEWS

- DOUBLE DIAPHRAGM STACK GASKET**
Maximizes expansion /contraction; creating insulating dead air chambers. Total vertical movement = ± 3/4"
- LAMINATED INSULATED GLASS**
Variable interior glazing will effect thermal performance and impact resistance

- WARMER INTERIOR SURFACES**
Greater comfort and increased condensation resistance
- AVOID MASKING TAPE / CLEAN UP**
Gasket / spacer allows silicone application from exterior
- INTERIOR ADAPTER**
Additional adapter to provide qualified impact resistance



Additional information including CAD details, CSI specifications, Test Reports, Fenestration Product Rating Certificates and Installation instructions are available online for the XT Version: www.ykkap.com/commercial/product/curtain-walls/yuw-750-xt/