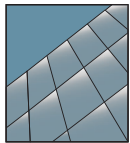


YCU 750 TU

Thermally Broken, Unitized Curtain Wall System



CURTAIN WALL SYSTEM

Product Description

YCU 750 TU is a unique, thermally broken, dry glazed unitized curtain wall system designed for maximum design flexibility. Drop-in adjustable slab and slab edge anchors allow rapid job-site dry-in with reduced field labor. Efficient shop assembly is aided by YKK AP's patented screw spline technology.

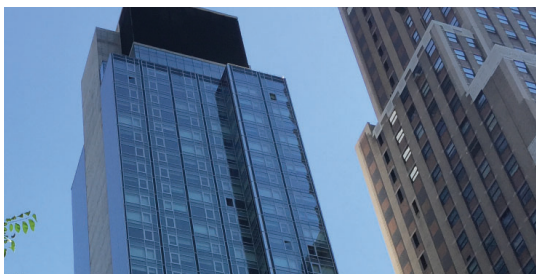
Product Options & Features

- Unitized design for greater performance
 - ◆ Designed for easy and fast fabrication – 90 degree cuts and minimal notching
 - ◆ Assemble and dry glazed in the shop
 - ◆ Less time with quick and efficient installation
- Enhanced design flexibility
 - ◆ Dual finish option (interior – exterior)
 - ◆ Variety of face covers – rich looking
Double Cap exterior covers are standard
 - ◆ 1/4" or 1" infills
 - ◆ 90 degree inside and outside corners
 - ◆ Optional molded corner gaskets
 - ◆ Meets the most stringent building codes

U-Factor Values as low as 0.35*

CRF Minimum 71_{frame} & 65_{glass}

*Based on AAMA 507. Lower values may be achieved through further simulation.



**YKK
ap** Quality
inspires®



YCU 750 TU

SYSTEM SPECIFICATIONS

System Sightline	Base Depth	Glazing & Config	Glass	Air Infiltration	Water Infiltration	Acoustical Performance
3"	7-1/2"	Unitized, Outside & Front Set	1" IGU with Low-E (C.O.G. U-factor: 0.29)	0.06 CFM/FT ² (1.10 m ³ /h·m ²) @ 6.24 PSF (299 Pa)	Static: 20 PSF (958 Pa) Dynamic: 20 PSF (958 Pa)	Std STC: 37 Std OITC: 30
Testing Standards				ASTM E 283	ASTM E 331 & AAMA 501.1	ASTM E 90 & 1425
Available Finishes				Factory Anodized (AAMA 612) and Organic Paints (AAMA 2604 & AAMA 2605)		

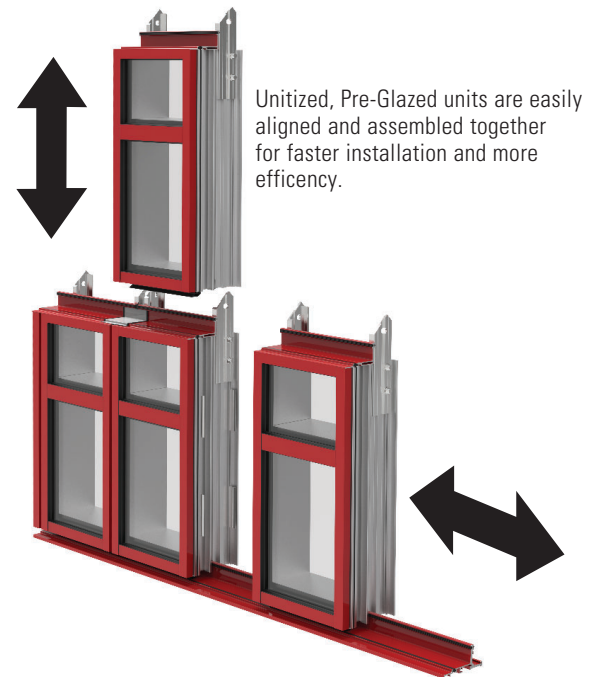
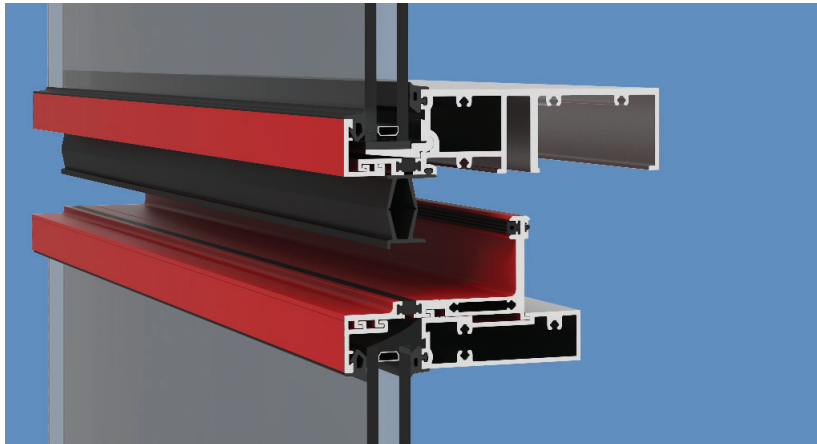
Thermal Performance						
1" IGU	BTU/hr·ft ² ·°F					
C.O.G U-Factor	0.30	0.28	0.26	0.24	0.22	0.20
3" x 7-1/2"	0.43	0.41	0.40	0.38	0.37	0.35
Testing Standards	AAMA 507					

CRF	
Frame	Glass
71	65
AAMA 1503	

EASE OF ASSEMBLY

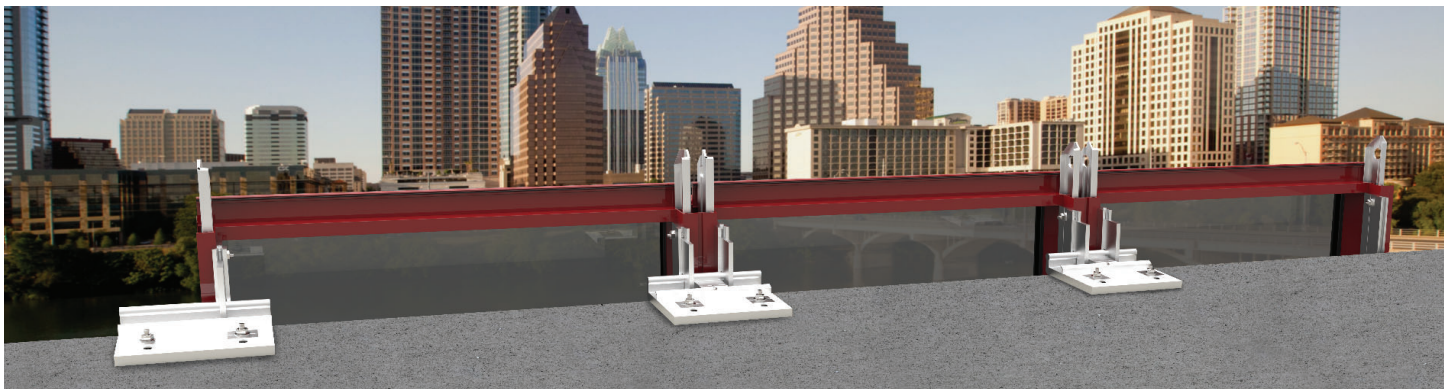
THERMALLY BROKEN

Pour and Debridged system improves thermal performance which helps maintain ambient temperatures inside the building, and reduces overall operating costs.



3 POINT ADJUSTABLE ANCHOR

Top, bottom, or front of slab anchor designs allow for 3D adjustability to compensate for tolerance variations typical in slab construction.



Additional information including CAD details, CSI specifications, Test Reports and Installation instructions are available online at:

www.ykkap.com/commercial/product/curtain-walls/ycu-750-tu/