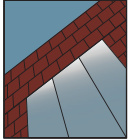


YES 45 FS

Center Set Storefront System with Monolithic Glass



STOREFRONT SYSTEM

Product Description

The YES 45 FS (1-3/4" x 4-1/2") is a center set, flush glazed framing system designed primarily for 1/4" glass or infill panels 1/4" to 3/8" thick. The system will accommodate YKK AP's hinged mullion, as well as our flexible mullion; these mullions allow more creative freedom where curves and angles become a functional part of the design.

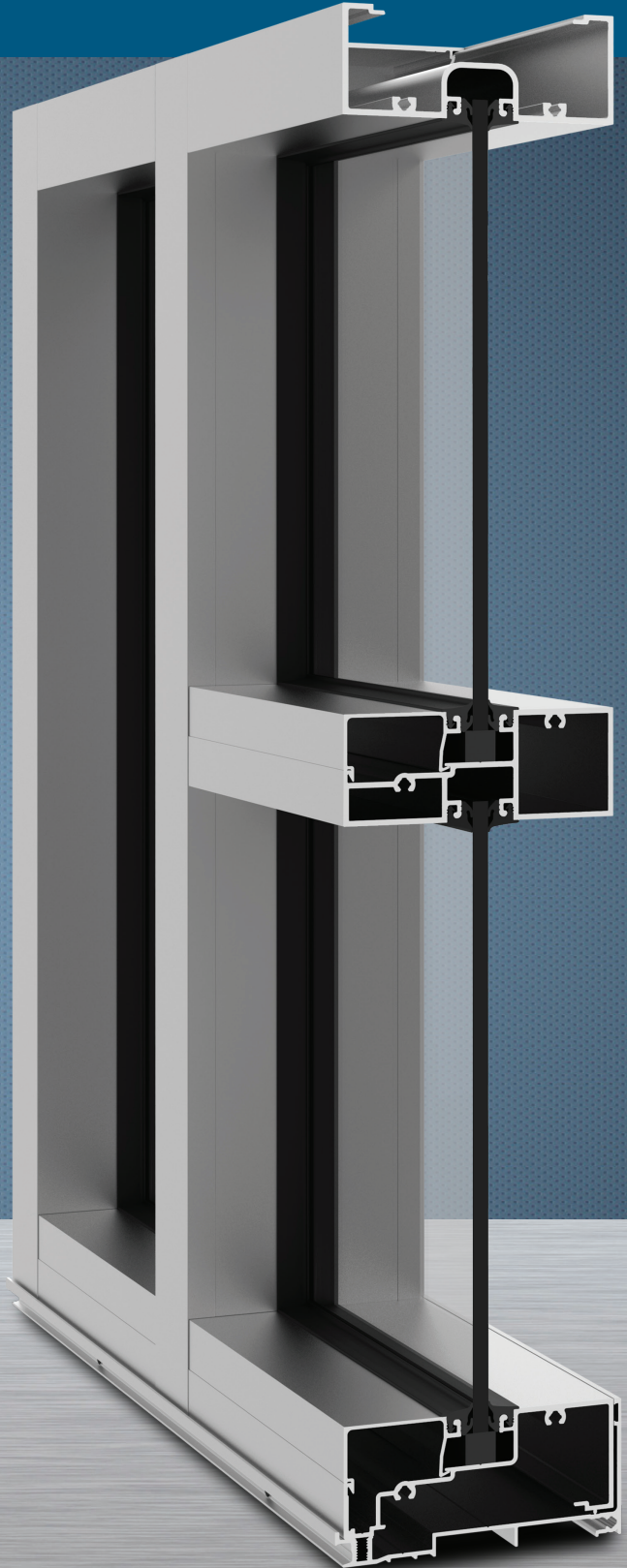
Product Options & Features

- Outside Glazed / Inside Glazed Option
- Glazing of 1/4" up to 3/8"
- Screw Spline or Shear Block Assembly
- Seamless Entrance Door Integration
- Gasket With Stretch-Resistant Cord
- Enhanced Water Infiltration Resistance



**YKK
ap**

Quality
inspires®



YES 45 FS

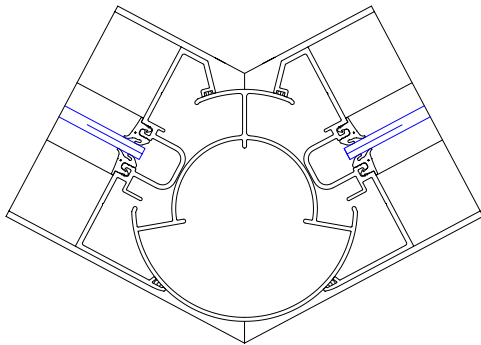
SYSTEM SPECIFICATIONS

System Sightline	Base Depth	Glazing & Config	Glass	Air Infiltration	Water Infiltration	Thermal Performance	Acoustical Performance
1-3/4"	4-1/2"	Inside or Outside & Center Set	1/4" IGU with Low-E (C.O.G. U-factor: 0.29)	0.06 CFM/FT ² (1.10 m ³ /h-m ²) @ 6.24 PSF (299 Pa)	10 PSF (479 Pa)	Not Tested	Not Tested
Testing Standards				ASTM E 283	ASTM E 331 & AAMA 501	* NFRC 100 & ** AAMA 1503	ASTM E 90 & 1425
Installation Options				Screw Spline or Shear Block with Monolithic or Insulating Glass			
Available Finishes				Factory Anodized (AAMA 612) and Organic Paints (AAMA 2604 & AAMA 2605)			

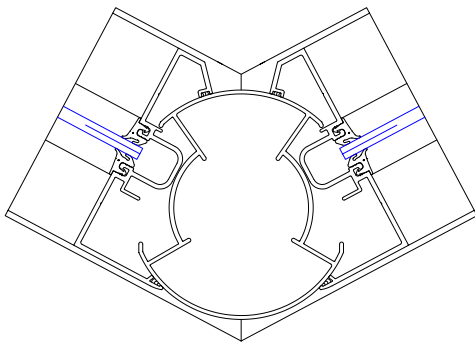
HINGED MULLIONS

With the use of our hinged mullion setup, the YES 45 system direction can be changed to allow angles and curves to create more a aesthetic and functional design with your building project. The 3 mullion options available are: 93-133 degrees, 124-170 degrees and 170-180 degrees. Combined with a 90, 135 or 158 degree static mullion, the design possibilities are endless.

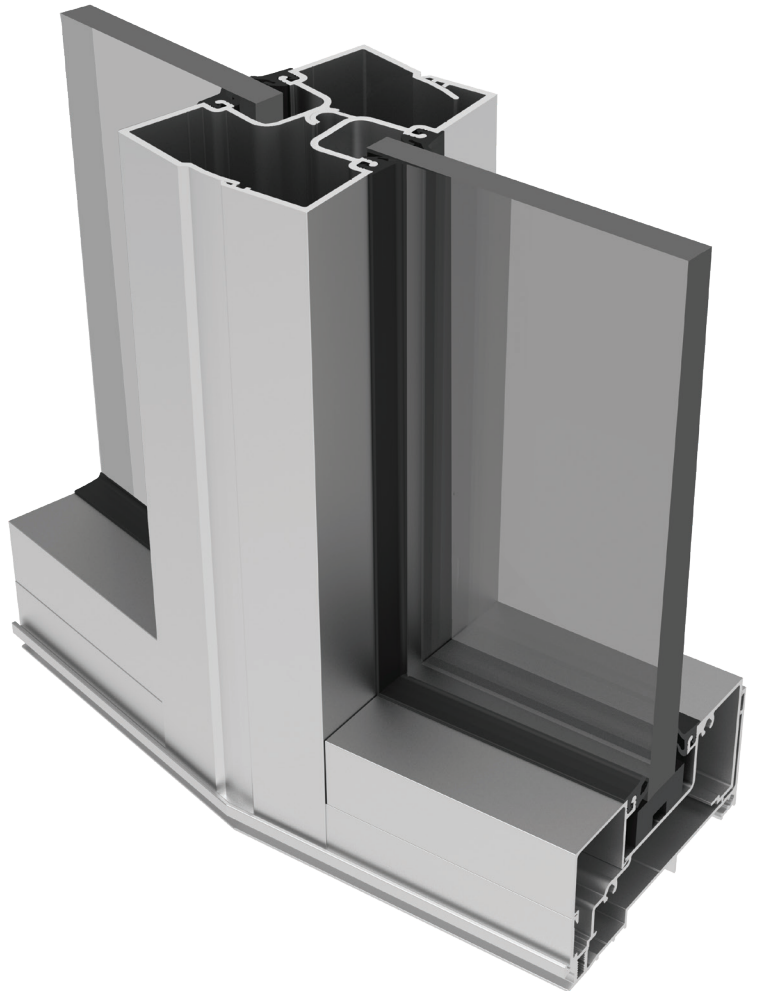
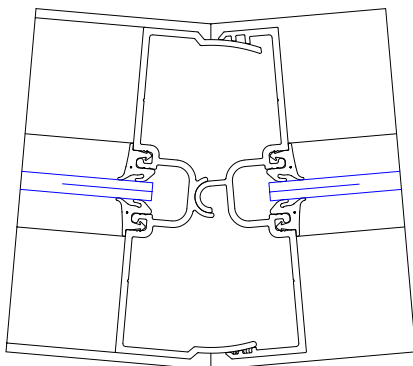
93-133 Degree Hinge Mullion



124-170 Degree Hinge Mullion



170-180 Degree Hinge Mullion



Additional information including CAD details, CSI specifications, Test Reports and Installation instructions are available online at: www.ykkap.com/commercial/product/storefronts/yes-45-fs/