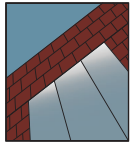


YES 45 TU Front

Thermally Broken, Front Set Storefront System



STOREFRONT SYSTEM

Product Description

YKK AP's family of storefront products is now more versatile with the addition of an energy efficient front set product. The YES 45 TU Front Set was designed for excellent thermal performance with standard* Low E insulating glass. Hinged mullions coupled with 90° or 135° inside/outside corners allow creative freedom when curves and angles are part of the design.

The Glass is set to the front to maximize energy performance and blend with the aesthetics of curtain wall. The system can be glazed from either the interior or exterior as required.

Product Options & Features

- Excellent thermal performance utilizing standard 1" insulating glass
- Patented ThermaBond Plus® thermal break
- Structural Silicone Glazed (SSG) Option
- High Performance Sill Flashing
 - ◆ No Blind Seals
 - ◆ Tall back leg for enhanced water resistance
 - ◆ Patented 3-point attachment of end dam
- Assembled with either our Screw Spline or Shear Block Technology

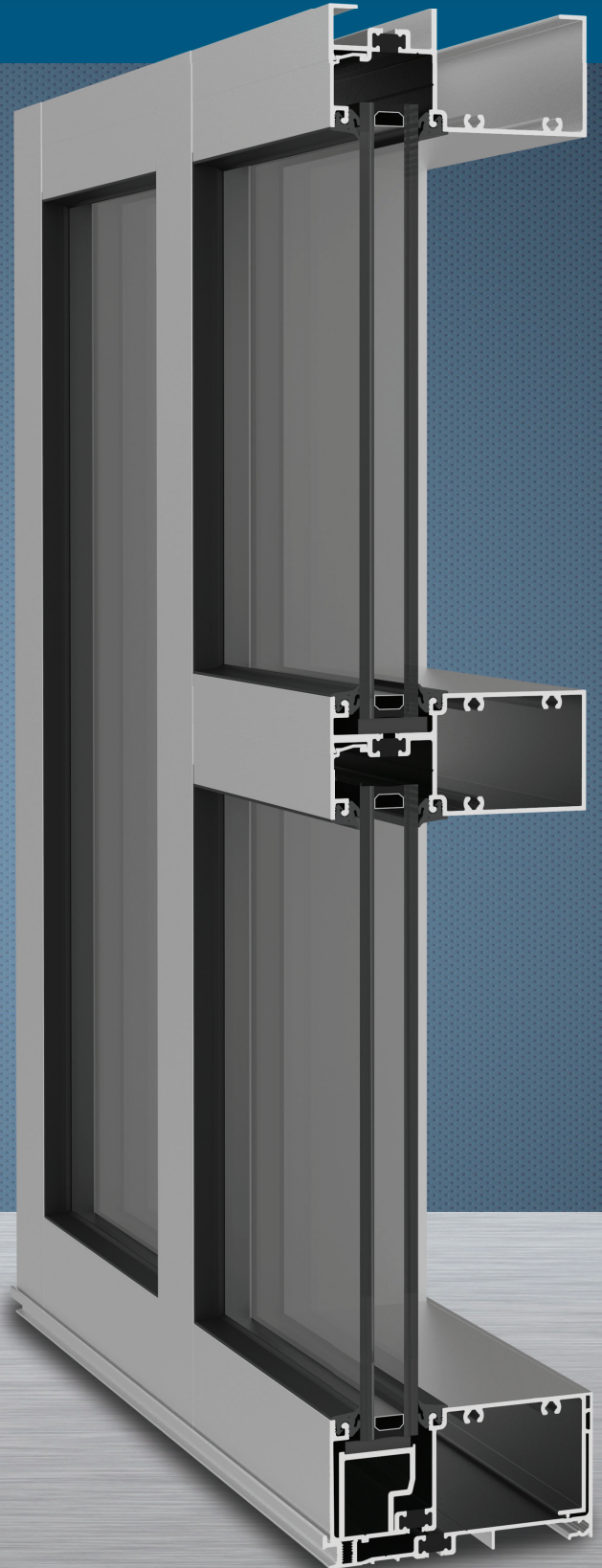
U-Factor Values as low as 0.32*

CRF Minimum 68_{frame} & 64_{glass}

*Based on AAMA 507. Lower values may be achieved through further simulation.



YKK
ap®
Quality
inspires®



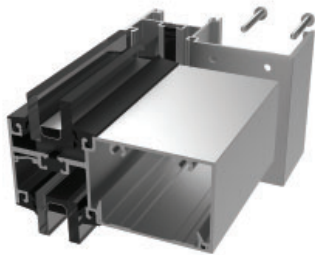
YES 45 TU Front

SYSTEM SPECIFICATIONS

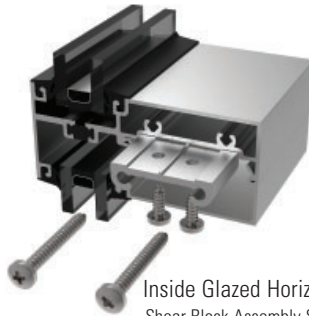
System Sightline	Base Depth	Glazing & Config	Glass	Air Infiltration	Water Infiltration	Acoustical Performance
2"	4-1/2"	SSG, Inside or Outside & Front Set	1" IGU with Low-E (C.O.G. U-factor: 0.29)	0.06 CFM/FT ² (1.10 m ³ /h·m ²) @ 6.24 PSF (299 Pa)	Static: 12 PSF (575 Pa)	Std STC: 32 Std OITC: 27
Testing Standards				ASTM E 283	ASTM E 331 & AAMA 501	ASTM E 90 & 1425
Installation Options				Screw Spline or Shear Block with Monolithic or Insulating Glass		
Available Finishes				Factory Anodized (AAMA 612) and Organic Paints (AAMA 2604 & AAMA 2605)		

Thermal Performance						
1" IGU	BTU/hr·ft ² ·°F					
C.O.G U-Factor	0.30	0.28	0.26	0.24	0.22	0.20
2" x 4-1/2"	0.40	0.38	0.37	0.35	0.33	0.32
Testing Standards	AAMA 507					

CRF	
Frame	Glass
68	64
AAMA 1503	



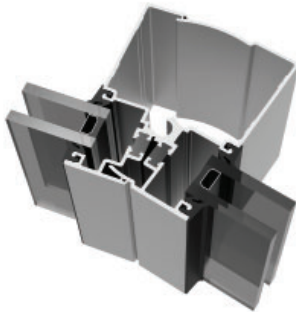
Outside Glazed Horizontal
Screw Spline Assembly Shown



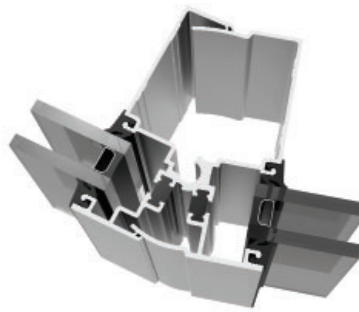
Inside Glazed Horizontal
Shear Block Assembly Shown



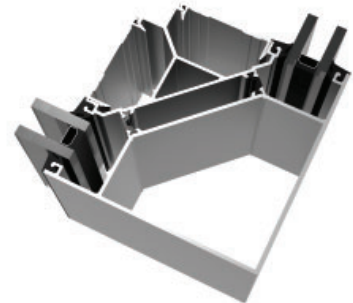
Expansion Mullion



0°- 12.5° Inside Hinged Mullion



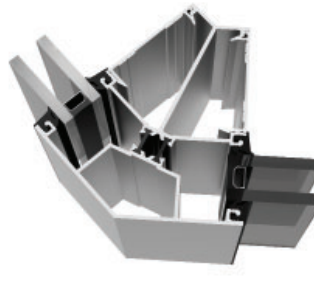
0°- 15° Outside Hinged Mullion



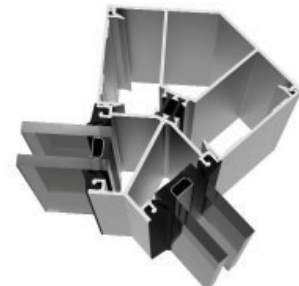
90° Outside Corner



90° Inside Corner



135° Outside Corner



135° Inside Corner

Additional information including CAD details, CSI specifications, Test Reports and Installation instructions are available online at:
www.ykkap.com/commercial/product/storefronts/yes-45-tu-front-set/