

# YHS 50 TU

Thermally Broken, Impact Resistant and Blast Mitigating Storefront

ProTek



YKK AP Hurricane & Blast Solutions

## Versatile Storefront Protection

The YHS 50 TU is a high performance storefront system designed for insulating glass 1" to 1-5/16" thick. With varied infill and components, YHS 50 TU can meet the requirements for Impact Resistance and/or Blast Mitigation. Our system is thermally broken by ThermoBond Plus® technology. The YHS 50 TU integrates with H and HL Series entrances with medium or wide stiles.

## Product Options & Features

- **Hurricane Impact** - Large and Small Missile
  - ◆ IBC and Florida Product Approval
  - ◆ Wind Zone 3 & Florida HVHZ
- **Blast Mitigation** - Static and Dynamic Analysis capability to meet DoD, GSA and VA standards
- A **NEW** Pre-Glazed option along with Field Glazed
- Design Pressures up to 70 psf
- Engineered corners reduce job time
- Inside or outside glazing available
- Sill Flashing with 3pt attachment, no blind seals and taller back leg for better water resistance

**U-Factor** Values as low as 0.38\*

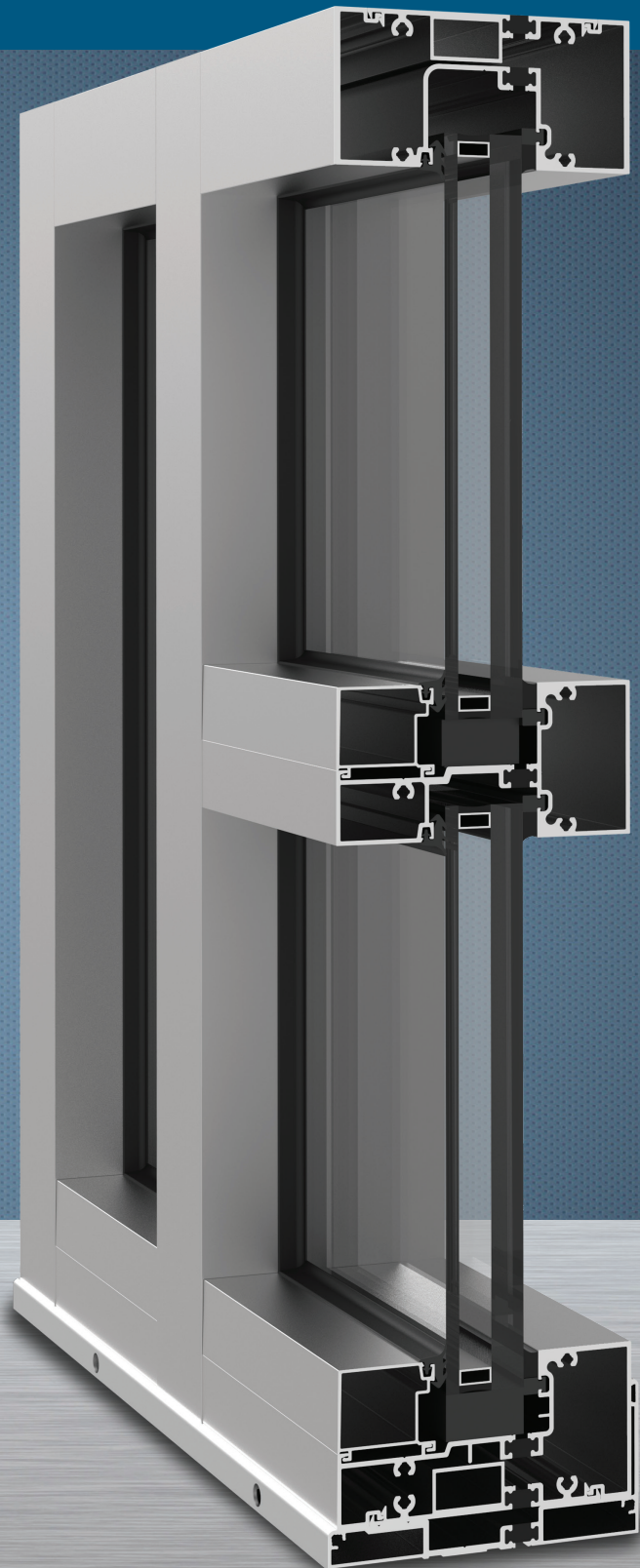
**CRF** Minimum 57<sub>frame</sub> & 78<sub>glass</sub>

\*Based on AAMA 507. Lower values may be achieved through further simulation.



YKK  
ap

Quality  
inspires®



# YHS 50 TU

## SYSTEM SPECIFICATIONS

System Sightline		Base Depth	Glazing & Config	Glass	Air Infiltration	Water Infiltration		Acoustical Performance	
(Field) 2-1/2"	(Pre-Glazed) 2-3/4"	5"	Inside (Dry) or Outside (Dry, Wet) & Center Set	1-5/16" Laminated Insulating	0.06 CFM/FT <sup>2</sup> (1.10 m <sup>3</sup> /h·m <sup>2</sup> ) @ 6.24 PSF (299 Pa)	(Field) <b>Static:</b> 12 PSF (575 Pa)	(Pre-Glazed) <b>Static:</b> 15 PSF (718 Pa)	(Field) <b>Lam STC:</b> 39 <b>Lam OITC:</b> 33	(Pre-Glazed) <b>Lam STC:</b> 40 <b>Lam OITC:</b> 33
<b>Testing Standards</b>					ASTM E 283	ASTM E 331 & AAMA 501		ASTM E 90 & 1425	
<b>Florida Product Approval</b>					(Field and Pre-Glazed) Wind Zone 3 & HVHZ				
<b>Available Finishes</b>					Factory Anodized (AAMA 612) and Organic Paints (AAMA 2605)				

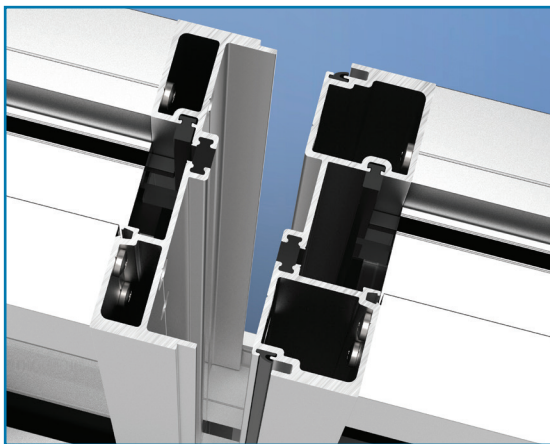
Thermal Performance							
1-5/16" IGU - Inside and Outside Glazed				BTU/hr·ft <sup>2</sup> ·°F			
<b>C.O.G U-Factor</b>	0.30	0.28	0.26	0.24	0.22	0.20	
<b>Large Missile</b>	0.46	0.44	0.43	0.41	0.40	0.38	
<b>Small Missile</b>	0.46	0.44	0.42	0.41	0.39	0.38	
1-5/16" IGU - Pre-Glazed				BTU/hr·ft <sup>2</sup> ·°F			
<b>C.O.G U-Factor</b>	0.30	0.28	0.26	0.24	0.22	0.20	
<b>PG IG and OG</b>	0.42	0.41	0.39	0.37	0.36	0.34	
<b>Testing Standards</b>	AAMA 507						

CRF	
Frame	Glass
59	78
57	78
CRF	
Frame	Glass
61	65
AAMA 1503	



North Charleston Public Works - Charleston, SC

## NEW! PRE-GLAZED OPTION



- Inside Glazed (Dry) and Outside Glazed (Wet/Dry) configurations
- Saves time on the job site and less materials in the field
- 4'w x 10'h panel spans to 70 PSF with no mullion reinforcement
- Florida Product Approval for Missile Level A, D and E
- New Intermediate Mullions eliminates need for panel interlocking
- Double laminate glass option for higher acoustical performance (STC: 43 OITC: 35)
- Sill design locks into outer lip of sill flashing with ample clearance to rock into position.

YHS SYSTEM	PRE GLAZED	.060 SentryGlass 50 PSF	DESIGN PRESSURE			144" SPAN	108" to 120" SPAN	OUTSIDE GLAZED	IMPACT	INSIDE GLAZED	IMPACT
			50	65-70	90				MISSILES A & D		ESSENTIAL FACILITIES
YHS 50 FS											
YHS 50 FI											
YHS 50 TU											

Additional information including CAD details, CSI specifications, Test Reports and Installation instructions are available online at:

[www.ykkap.com/commercial/product/storefronts/yhs-50-tu/](http://www.ykkap.com/commercial/product/storefronts/yhs-50-tu/)