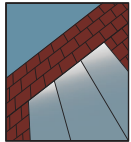


# YES 600

Thermally Broken, Front Loading Storefront System



## STOREFRONT SYSTEM

### Product Description

The YES 600 is a thermally broken front loaded storefront system for 1" insulating glass. The system also accepts 1/4" monolithic glass with glazing adaptors. The thermal break is achieved by employing a unique nylon clip that locks the exterior and interior members together. This method of attaching face members also allows separate finishes to be used on the system. Optional face caps are available as well as an SSG Vertical Mullion option.

### Product Options & Features

- 1-3/4" Face by 4-1/2" or 6" Overall Depth
- Outside Glazed
- Screw Spline or Shear Block Assembly
- Gasket With Stretch-Resistant Cord
- Integral Entrance Door Frames
- Separate Exterior/Interior Finish Options
- Nylon Clip Design Eases Installation and reduces labor costs

**U-Factor** Values as low as 0.33\*

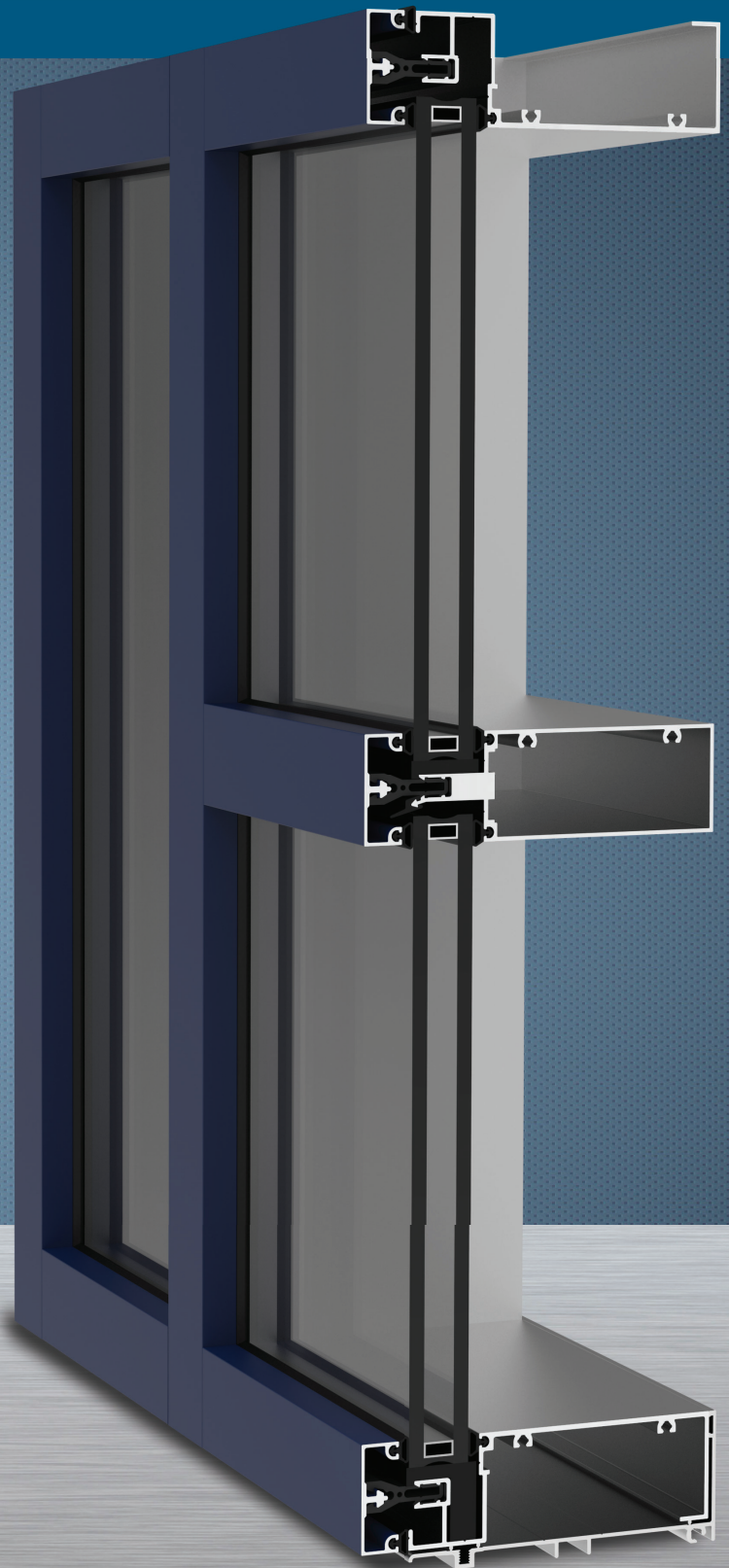
**CRF** Minimum 71<sub>frame</sub> & 62<sub>glass</sub>

\*Based on AAMA 507. Lower values may be achieved through further simulation.



**YKK  
ap**

Quality  
inspires®



## SYSTEM SPECIFICATIONS

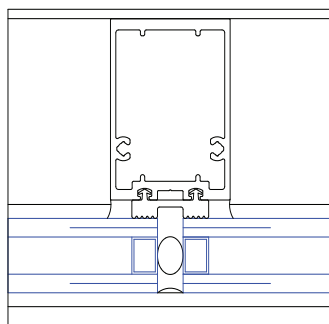
System Sightline	Base Depth	Glazing & Config	Glass	Air Infiltration	Water Infiltration
1-3/4"	6"	Outside & Front Set	1" IGU with Low-E (C.O.G. U-factor: 0.29)	0.06 CFM/FT <sup>2</sup> (1.10 m <sup>3</sup> /h·m <sup>2</sup> ) @ 6.24 PSF (299 Pa)	<b>Static:</b> 12 PSF (575 Pa) <b>Dynamic:</b> 12 PSF (575 Pa)
<b>Testing Standards</b>				ASTM E 283	ASTM E 331 & AAMA 501
<b>Installation Options</b>				Screw Spline or Shear Block with Monolithic or Insulating Glass 4-1/2" or 6" Depth Options	
<b>Available Finishes</b>				Factory Anodized (AAMA 612) and Organic Paints (AAMA 2604 & AAMA 2605)	

Thermal Performance						
1" IGU	BTU/hr·ft <sup>2</sup> ·°F					
<b>C.O.G U-Factor</b>	0.30	0.28	0.26	0.24	0.22	0.20
<b>1-3/4" x 6"</b>	0.41	0.39	0.37	0.36	0.34	0.33
<b>Testing Standards</b>	AAMA 507					

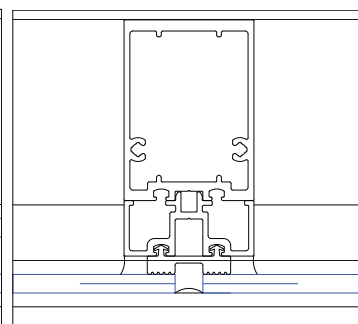
CRF	
Frame	Glass
71	62
AAMA 1503	

## SSG VERTICALS

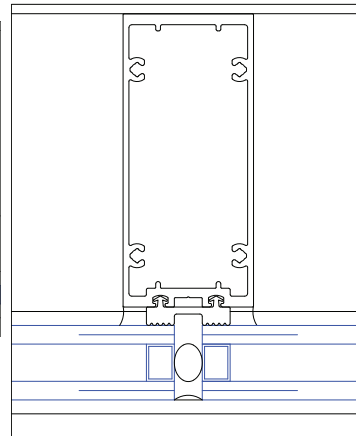
Structural Silicone Glazed (SSG) Vertical Mullions can be used in both the 4-1/2" and 6" Depths. Either 1/4" or 1" Glazing can be utilized. Shear Block assembly is shown, but Screw Spline is also available.



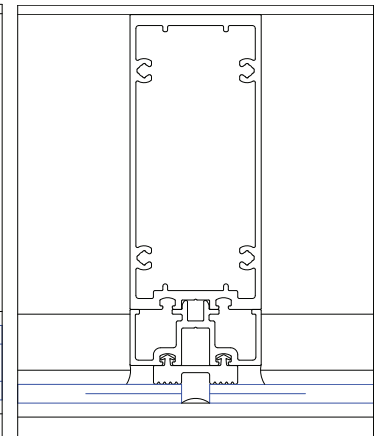
4-1/2" System with 1" Glass



4-1/2" System with 1/4" Glass



6" System with 1" Glass



6" System with 1/4" Glass

## NYLON CLIP ASSEMBLY

The face cover is inserted into the other end of the mullion through the clip with gaskets attached, securing the glass to the system and locking the cover with the mullion. The nylon clip also helps reduce the amount of heat transfer that conducts through the storefront.



Additional information including CAD details, CSI specifications, Test Reports and Installation instructions are available online at:

[www.ykkap.com/commercial/product/storefronts/yes-600/](http://www.ykkap.com/commercial/product/storefronts/yes-600/)