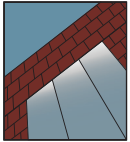


YES 45 FI

Center Set Storefront System with Insulating Glass



STOREFRONT SYSTEM

Product Description

The YES 45 FI (2" x 4-1/2") is a center set, flush glazed framing system developed for 1" insulating glass and other types of infill panels of varying thicknesses. The system will accommodate YKK AP's hinged mullion, as well as our flexible mullion; these mullions allow more creative freedom where curves and angles become a functional part of the design.

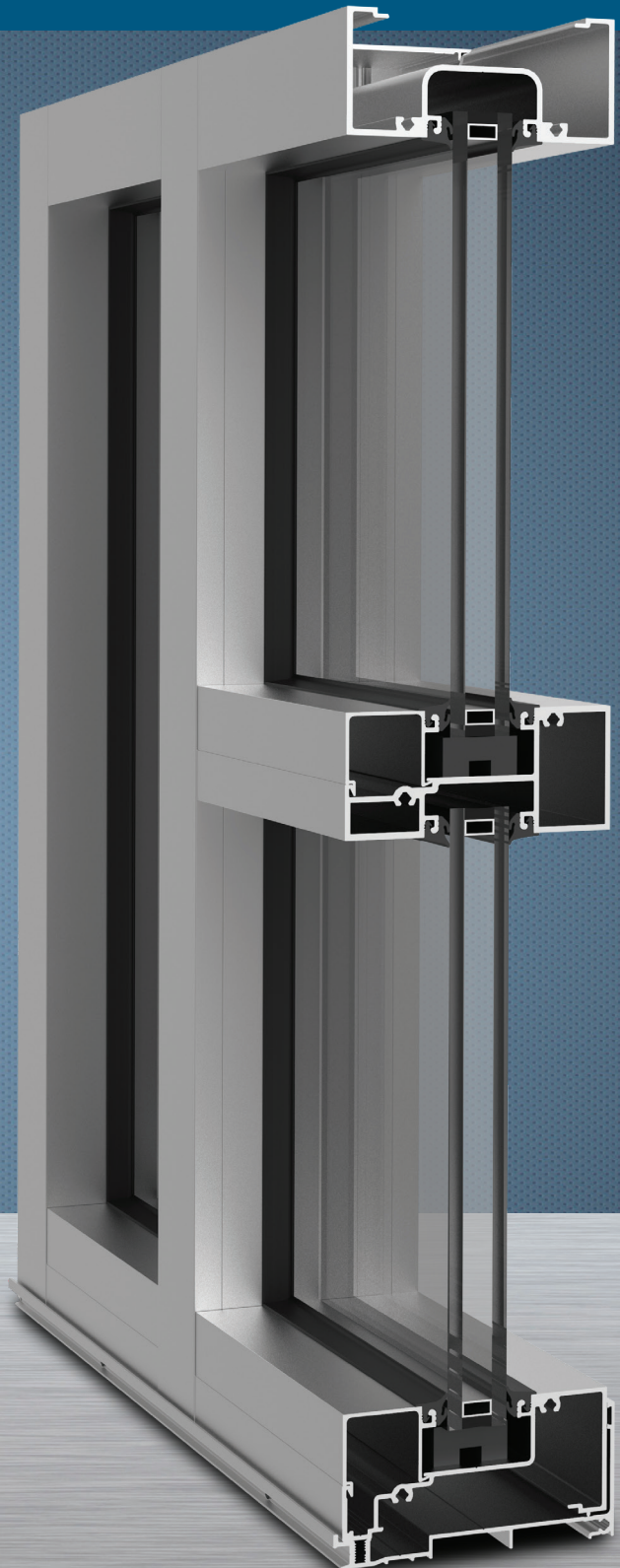
Product Options & Features

- Outside Glazed / Inside Glazed Option
- 1" Standard Glazing, with Various Infills
- Screw Spline or Shear Block Assembly
- Seamless Entrance Door Integration
- Gasket With Stretch-Resistant Cord
- Enhanced Water Infiltration Resistance



YKK
ap

Quality
inspires®



YES 45 FI

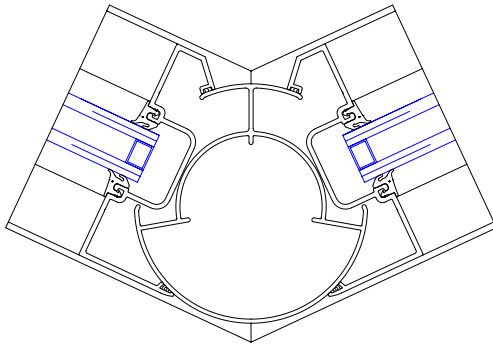
SYSTEM SPECIFICATIONS

System Sightline	Base Depth	Glazing & Config	Glass	Air Infiltration	Water Infiltration	Thermal Performance	Acoustical Performance
2"	4-1/2"	Inside or Outside & Center Set	1" IGU with Low-E (C.O.G. U-factor: 0.29)	0.06 CFM/FT ² (1.10 m ³ /h·m ²) @ 6.24 PSF (299 Pa)	12 PSF (575 Pa)	U-factor: 0.49 BTU/HR•FT ² •°F* CRF: Minimum of 33 on frame**	Std STC: 32 Std OITC: 27 Lam STC: 37 Lam OITC: 30
Testing Standards				ASTM E 283	ASTM E 331 & AAMA 501	* NFRC 100 & ** AAMA 1503	ASTM E 90 & 1425
Installation Options				Screw Spline or Shear Block with Monolithic or Insulating Glass			
Available Finishes				Factory Anodized (AAMA 612) and Organic Paints (AAMA 2604 & AAMA 2605)			

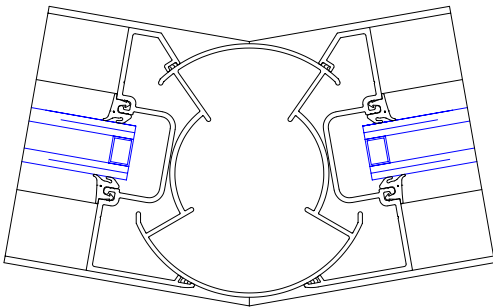
HINGED MULLIONS

With the use of our hinged mullion setup, the YES 45 system direction can be changed to allow angles and curves to create more a aesthetic and functional design with your building project. The 3 mullion options available are: 93-133 degrees, 134-170 degrees and 165-180 degrees. Combined with a 90, 135 or 158 degree static mullion, the design possibilities are endless.

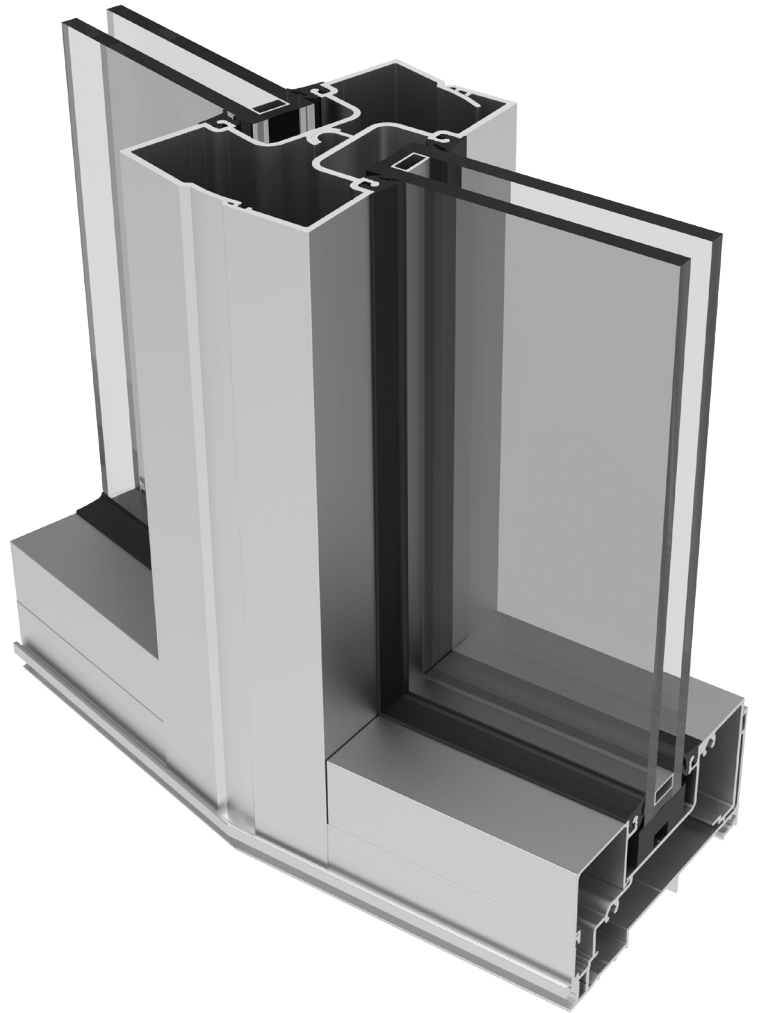
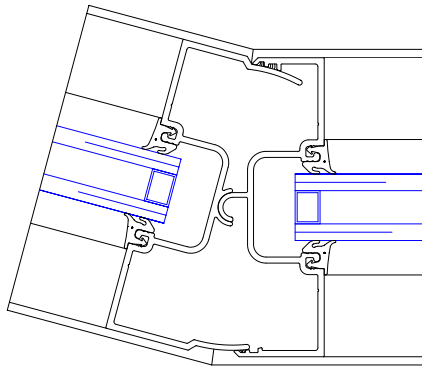
93-133 Degree Hinge Mullion



134-170 Degree Hinge Mullion



165-180 Degree Hinge Mullion



Additional information including CAD details, CSI specifications, Test Reports and Installation instructions are available online at:
www.ykkap.com/commercial/product/storefronts/yes-45-fi/