

25FD Door

Flush Panel Entrance System



ENTRANCE SYSTEM

Product Description

The Model 25FD is a panel entrance available with a durable Fiber Reinforced Polyester resin (FRP) or an Aluminum Skin to meet both aesthetic and performance requirements of any project. Marine Grade high compression honeycomb core material provides superior performance. An aluminum skeleton in the form of a 4-1/2" backup tube with a minimum 1/8" wall thickness provides the strength necessary to resist abuse and maintain the integrity of the door. This strong skeleton eliminates the need for hardware specific reinforcement. The Model 25FD is designed to accept a variety of locking and hinging hardware for security and egress applications.

Product Options & Features

- 1-3/4" Door panel will mount easily into our YKK AP door frames
- Locking hardware options include Rim Panics, Latch Locks and Maximum Security Locks
- Doors are available pre-glazed with 1/4" monolithic or 1" insulating glass
- Aluminum skins or exterior grade FRP skins (shown to right) provide resistance to fading
- Aluminum louvers are also available



**YKK
ap**

Quality
inspires®

25FD Door

SYSTEM SPECIFICATIONS

System Stile	Glazing & Config	Glass	Air Infiltration (Single Acting Butt Hinges or Offset Pivots)	Structural Uniform Load	Forced Entry Resistance
2-1/2" Flush Panel	Outside & Center	1" IGU with Low-E (C.O.G. U-factor: 0.29)	Single Doors: 0.50 CFM/FT ² Paired Doors: 1.00 CFM/FT ² @ 6.24 PSF (299 Pa)	25FD: +75 / -50 psf	Grade 10
Testing Standards			ASTM E 283	ASTM E 330	AAMA 1304
Available Finishes			Aluminum Skin: Clear & Dark Bronze or FRP Resin: White, Grey, Dark Bronze or Beige		

VARIOUS DEVICES

Smart Series Push/Pull

YKK AP's Smart Series one inch diameter Push/Pull provides maximum flexibility and occupant safety. The pull handle is open to permit access to the lock cylinder and is slightly angled to provide a uniquely modern look. The Smart Push starts at the locking stile similar to a typical one inch diameter push bar, but then has an ergonomic "S-Bend" toward the locking stile to bring the bar closer to the door where it is captured by a patented end cap. This innovative push bar easily accommodates custom width openings while subtly informing a pedestrian which side of the door to push on when exiting a building.

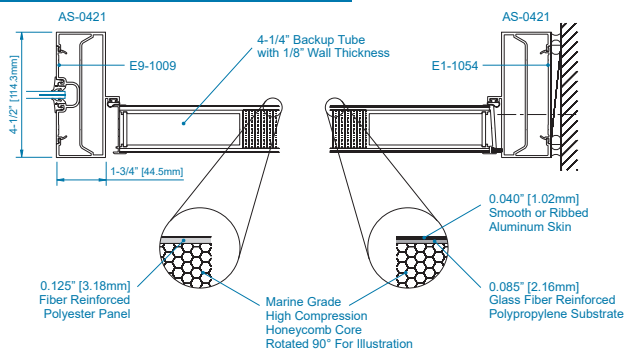
YKK AP Exit Devices

The modern and economical YKK AP standard touch bar exit devices are ideally suited for all applications that require emergency egress. The devices are ANSI Grade 1, carry the UL label and are approved for Life Safety. Both the rim and concealed vertical rod devices feature single point dogging and are available with electric actuation.

Von Duprin® Exit Devices

These top quality exit devices from Von Duprin® are also perfectly suited for all applications that require emergency egress. They are also ANSI Grade 1, carry the UL label and are approved for Life Safety. Both the rim and concealed vertical rod devices feature single point dogging and are available with electric actuation.

DOOR COMPOSITION



YKK AP Smart Series Pulls



YKK AP Smart Series Push Bar



YKK AP Standard Concealed Vertical Rod Exit Device



YKK AP Standard Rim Exit Device



Von Duprin® 33 Series Exit Device



Von Duprin® 99 Series Exit Device

Additional information including CAD details, CSI specifications, Test Reports and Installation instructions are available online at:

www.ykkap.com/commercial/product/entrances/25fd/