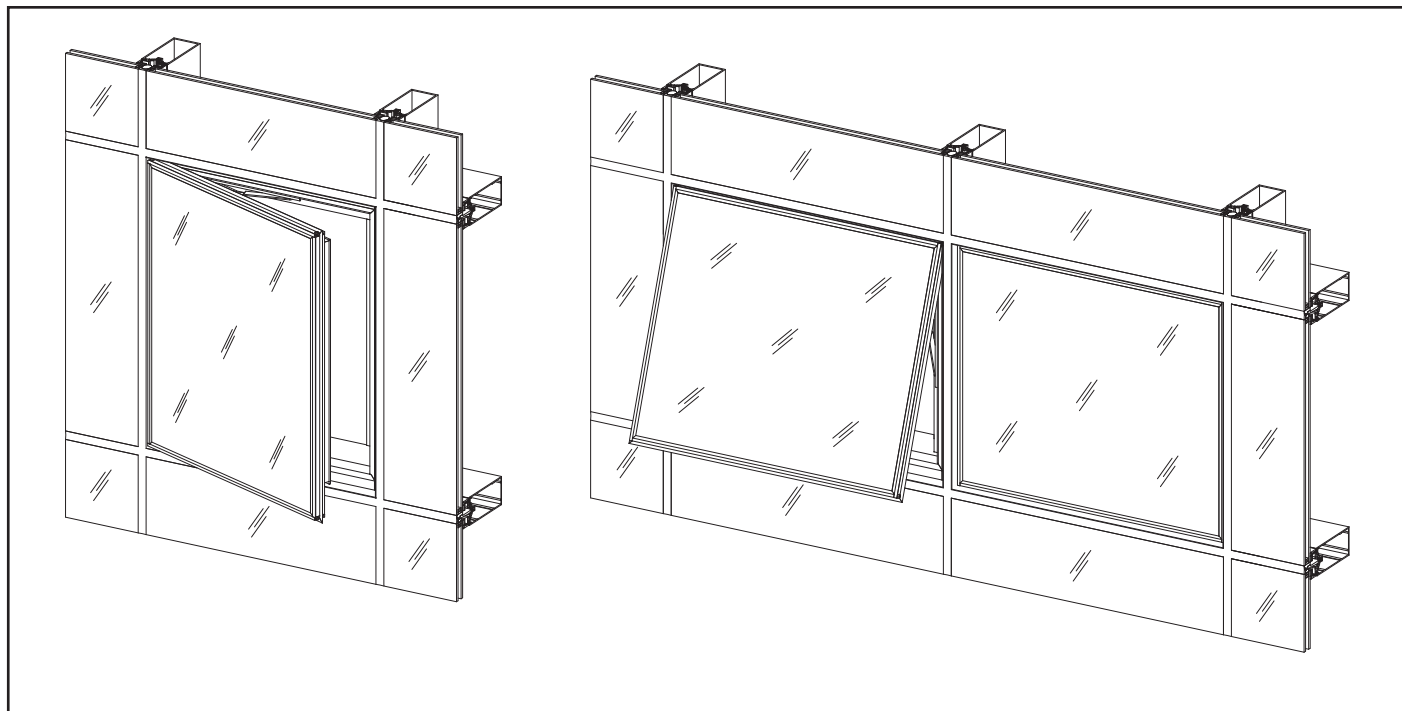


## Installation Manual For Use with YCW 750 SSG Curtain Wall



### YOVS SSG VENT SYSTEM DESCRIPTION

- 3-5/8" Overall Depth
- Flat Frame
- Variations: Casement Outswing, Projected Outswing
- 1" Glazing for YOVS SSG, Tinted Glass Recommended
- Optional Screens
- Construction:
  - Vents – Mitered, Keyed, & Sealed
  - Frame – Square Cut, Coped & Sealed,  
Both Use Screw Spline Construction

### YOVS SSG VENT PERFORMANCE FEATURES

- AAMA/WDMA/CSA 101/I.S.2 A440
  - AW-PG70-C for Casement Out
  - AW-PG70-AP for Project Out



## TABLE OF CONTENTS

Installation Notes .....	Page ii & iii
Important Notice .....	Page iv
Hardware & Accessories .....	Pages v to ix
 <b>GENERAL INFORMATION (4-SIDED SSG)</b>	
Size Limitations .....	Page 1
 <b>CURTAIN WALL PREPARATION (4-SIDED SSG)</b>	
Fabricate / Install Vent Adaptors .....	Pages 2 to 10
 <b>GENERAL INFORMATION (2-SIDED SSG)</b>	
Size Limitations .....	Page 11
 <b>CURTAIN WALL PREPARATION (2-SIDED SSG)</b>	
Fabricate / Install Vent Adaptors .....	Pages 12 to 13
 <b>GLAZING</b>	
Glazing.....	Pages 14 to 16
Apply Structural Silicone Sealant .....	Pages 17 & 18
 <b>INSTALLATION</b>	
Install Window Frame .....	Page 18
Accessible Window Installation .....	Page 19
Install Vent.....	Page 20
Apply Perimeter Sealant.....	Page 21

**INSTALLATION NOTES**

1. Do not drop, roll or drag boxes of aluminum framing. Move and stack boxes with proper support to prevent distortion. If fork lifts are used, be especially careful about striking the boxes when lifting or moving.
2. Store in a dry, out of the way area. If rain exposure, condensation or any water contact is likely, then all packaging material should be removed. Wet packaging materials will discolor and may stain aluminum finishes and paints.
3. All materials should be checked for quantity and quality upon receipt, YKK AP must be notified immediately of any discrepancies in shipment. Check to make sure that you have the required shims, sealants, supplies, and tools necessary for the installation.
4. Carefully check the openings and surrounding conditions that will receive your material. Remember, if the construction is not per the construction documents, it is your responsibility to notify the general contractor in writing. Any discrepancies must be brought to the general contractor's attention before you proceed with the installation.
5. Collect your shop drawings, materials, packing list, and this installation manual. Carefully review parts location, the sequence of installation, when you glaze it, and how you seal it. Installation instructions are of a general nature and may not cover every condition you will encounter. The shop drawings and/or installation manuals were prepared specifically for the product.
6. Any material substitutions must be of equal or greater quality.
7. Make certain that material samples have been sent for compatibility testing for all manufacturer's sealants involved. Make certain that sealants have been installed in strict accordance with the manufacturer's recommendations and specifications.
8. All insulating units must be designed for Silicone Glazing. Only neutral curing silicones may be used.
9. Remember to isolate, in a approved manner, all aluminum from uncured masonry or other incompatible materials.
10. System-to-structure fasteners are not supplied by YKK AP. Fasteners called out on shop drawings are to indicate minimum sizes for design loading.
11. If any questions arise concerning YKK AP products or their installation, contact YKK AP for clarification before proceeding.

## INSTALLATION NOTES

12. YKK AP window installation is typically completed before drywall, flooring and other products which may still be in process. Take the extra time to wrap and protect the installed material.
13. Cutting tolerances are plus or minus one thirty second unless otherwise specified.
14. YKK AP Model YOV SSG windows are pre finished, pre-fabricated, and pre-assembled products, and must be protected against damage.
15. Concrete, mortar, plaster, muriatic acid and other alkaline and acid based construction and cleaning materials may be very harmful to window finishes and should be removed with water and mild soap immediately or permanent damage or staining of the finishes will occur. A spot test is recommended before any cleaning agent is used, and abrasive type cleaners must never be used.
16. Windows are never to be used as ladders, step stools, scaffolds or scaffold supports.
17. All work must start from, and be referenced to benchmarks, offset lines and/or column center lines established by the architectural drawings and the general contractor.
18. All windows must be installed plumb, square, level and true, and in accordance with approved shop drawings and these installation instructions.
19. Glass and glazing building codes governing the design and use of products vary widely. YKK AP America Inc. does not control the selection of products, product configurations, operating hardware and function, or glazing materials, and YKK AP assumes no responsibility for these design considerations. It is the responsibility of the design professional, owner, architect, specifier, general contractor, and the installer to make these selections in strict accordance with all applicable codes.
20. Check our website, [www.ykkap.com](http://www.ykkap.com), for the latest installation manual update prior to commencing work.

### **Important Notice for YOV SSG Vent Window System:**

In order to properly perform and to maintain structural integrity, in addition to all other installation requirements, structurally glazed window systems rely specifically upon effective and appropriate structural sealant selection and installation.

It is the responsibility of the glazing contractor to take all steps to ensure the installed structural sealant is capable of meeting all applicable project requirements in accordance with industry standards. Such steps on each project may include, but are not limited to, design reviews, formal adhesion testing, project specification compliance, validating applications, field testing, auditing, sealant design strength analysis, and the quality control review of the installation and surrounding conditions.


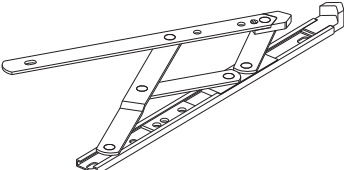



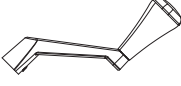


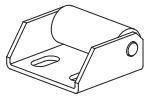
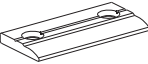
Subject to project specific design pressures, requirements, and/or specifications, the structural sealant that is used between the glass and framing system must be capable of withstanding tensile and shear stresses imposed by the window without failing adhesively or cohesively.

The structural sealant's capability to withstand these stresses are dependent on several factors including, but not limited to, type of structural sealant, method of application (i.e. cleaning, primer), construction of glazing material (i.e. insulating glass unit (IGU), other infill, and finish of framing (i.e. anodizing, paint).


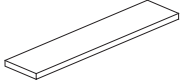


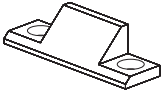
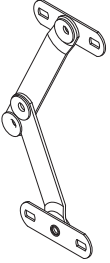
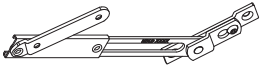
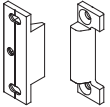
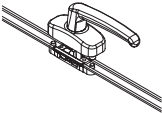

- Adhesive failure occurs when sealant pulls away from substrate cleanly, leaving no sealant material behind.
- Cohesive failure occurs when sealant breaks or tears within itself but does not separate from each substrate because sealant-to-substrate bond strength exceeds sealant's internal strength.

The IGU and/or other infill must be constructed for installation into the structurally sealant glazed window system. Notify the manufacturer or fabricator of the IGU and/or infill and advise of the product's application into 4-sided structurally sealant glazed windows along with the project's design requirements so that appropriate fabrication steps are taken.

Hardware & Accessories


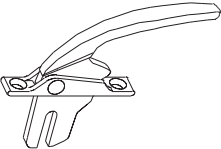


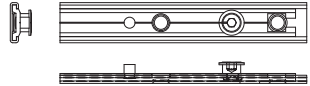
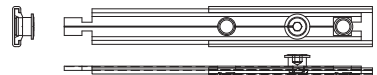
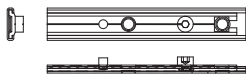
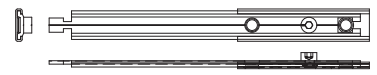
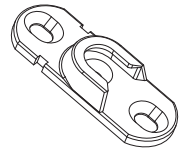
DETAIL	PART	DESCRIPTION	MATERIAL
	<b>4K-14207</b> <b>4K-14208</b> <b>E1-1986</b> <b>E1-1957</b> <b>5K-15284</b>	Std. 12" 4-Bar Hinge Std. 16" 4-Bar Hinge (Casement Outwing Only.) Std. 12" 4-Bar Hinge w/ Limit Stop Std. 12" Egress 4-Bar Hinge Std. 16" Egress 4-Bar Hinge (Project Out Only).	STAINLESS STEEL  Aluminum US28
	<b>E1-1995 10"</b> <b>E1-1996 12"</b> <b>E1-1997 16"</b> <b>E1-1998 20"</b> <b>E1-1999 24"</b>	Accessible Loose Rivet 4-bar Hinge	STAINLESS STEEL  Aluminum US28
	<b>E1-1987 LH 8"</b> <b>E1-1988 RH 8"</b> <b>E1-1989 LH 14"</b> <b>E1-1990 RH 14"</b>	Standard / Accessible Single Arm Operator (Casement Vent Only)	Powder Coated or Plated
	<b>E1-1991 - 5½"</b> <b>E1-1992 - 11"</b> <b>E1-2012 - 7"</b> <b>E1-2013 - 9"</b>	Standard / Accessible Dual ARM Roto-Operator Project Vent Only	Die Cast Coated Steel Nylon Guides
	<b>E1-9932</b>	Standard Crank Handle	Die Cast / Hardened Steel Powder / Plated
	<b>E1-1983</b>	Accessible Large Crank Handle	Powder Coated or Plated
	<b>E1-1577</b> <b>E1-1578</b>	Cam Handle (R) Cam Handle (L)	White Bronze US25D
	<b>E1-1579</b>	Keeper	WHITE BRONZE
	<b>K-18522</b>	Guide Roller (For Casement)	SUS304 SUSXM7 POM
	<b>E1-1525</b>	Guide Roller Base (Factory Installed)	Aluminum

## Hardware & Accessories (Continued)

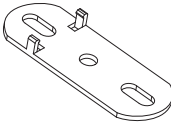
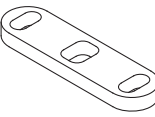

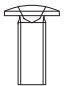
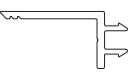
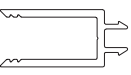
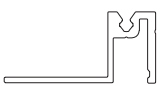

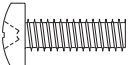
DETAIL	PART	DESCRIPTION	MATERIAL
	<b>E2-0704 PC</b>	Setting Block	Black EPDM Silicone Compatible
	<b>E2-7011 PC</b>	1/8" x 4" Setting Block	Black EPDM Silicone Compatible
	<b>E2-0110</b>	Glazing Spacer Tape	Black Polyurethane Foam
	<b>E2-0625</b>	Airtight Bulb Gasket	Black Santoprene
	<b>E3-1103</b>	Snubber / Lift Up Ramp (Factory Installed)	Nylon
	<b>E1-1936</b>	<b>-Default-</b> Limit device meeting the fall prevention requirements (and approved for New York City, with size restrictions.)  Note: This hardware may be used in locations outside New York City.	Stainless Steel
	<b>E1-1975</b>	Optional / Accessible 4" Keyed Limit Device (Approved for NYC)	Stainless Steel
	<b>H-1901</b>	HP Snubber Set (Factory Installed)	Aluminum Black
	<b>H-1902</b> <b>H-1903</b> <b>H-1905</b>	Connector Assembly Vent Multi-lock Handle Assembly (RH) Vent Multi-lock Handle Assembly (LH)	Satin Nickel, Satin Chrome, White & Black Powder coat
	<b>E3-1201-01</b>	Connecting Bar	Black
	<b>E1-1966</b>	Standard / Accessible Frame Multi-Locks with 4" handles	Die Cast / Painted Steel




Hardware & Accessories (Continued)

DETAIL	PART	DESCRIPTION	MATERIAL
	<b>E1-1994</b>	Standard / Accessible Frame Multi-Locks with 8" handles	Die Cast / Painted Steel
	<b>E1-1505 (Optional)</b>	Provides for locking and unlocking of casement or project out vents using single actuator handle with concealed locking points or project out windows with locking handle	White Bronze
	<b>E1-1981</b>	Standard Amesbury-Truth Pull	Die Cast
	<b>E1-1508 (Optional)</b>	White bronze pull handles are used for casement outswing or project out vents with E1-1505 locking handle.	White Bronze
	<b>E1-1954-xxxx</b>	Lock Bar 5-1/4" to 48" 1 to 3 Points	Aluminum / Stainless Steel
	<b>E1-1955-xxxx</b>	Lock Bar Extension 6" to 22" 1 Point	Aluminum / Stainless Steel
	<b>E1-2001-xxxx</b>	Accessible Lock Bar Base 5-1/4" to 48" 1 to 3 Points	Aluminum / Stainless Steel
	<b>E1-2002-xxxx</b>	Accessible Lock Bar Extension 6" to 22" 1 Point	Aluminum / Stainless Steel
	<b>E1-1952</b>	Interlock Keeper	Stainless Steel

## Hardware & Accessories (Continued)

DETAIL	PART	DESCRIPTION	MATERIAL
	<b>E1-1953</b>	1/8" Keeper Shim	Molded Plastic
	<b>E3-1141</b>	Spacer Shim	ABS
	<b>4K-18584</b>	Keeper (For Accessible)	Stainless Steel
	<b>E1-1751</b>	Keeper Screw (For 4K-18584)	Stainless Steel
	<b>E2-0297</b>	Curtain Wall adaptor for Field Glazed YCW 750 SSG used in a Fixed/Vent application	Rigid PVC Black
	<b>E2-0298</b>	Curtain Wall adaptor for Field Glazed YCW 750 SSG used in a Vent/Vent application	Rigid PVC Black
	<b>E9-3435</b>	Curtain Wall adaptor for YCW 750 SSG 4-sided toggle bar cassette system.	6063-T5 Alum. Black Anodized
	<b>PA-0820-SS</b>	#8-18 x 1-1/4" PHSMS-SS Used for assembling E9-3435 adaptors	Stainless Steel
	<b>PM-2512-SS</b>	#1/4-20 x 3/4" PHMS-SS Used for fastening the E2-0298 adaptor to SSG mullion in double vent applications	Stainless Steel

Hardware & Accessories (Continued)

DETAIL	PART	DESCRIPTION	MATERIAL
	<p><b>H-3541</b></p>	<p>Toggle Bar Assembly Used to secure E9-3435 adaptor assembly to a YCW 750 SSG 4-sided toggle bar cassette system</p>	<p>E1-3437 Bar 6063-T5 Alum.</p> <p>PM-2524-SS Stainless Steel</p>



## GENERAL INFORMATION: 4-SIDED SSG

### Frame Size Limitations

WINDOW	MINIMUM	MAXIMUM
Project	14-3/4" x 15"	60-1/2" x 36"
Casement	15" x 14-3/4"	36" x 60-1/2"

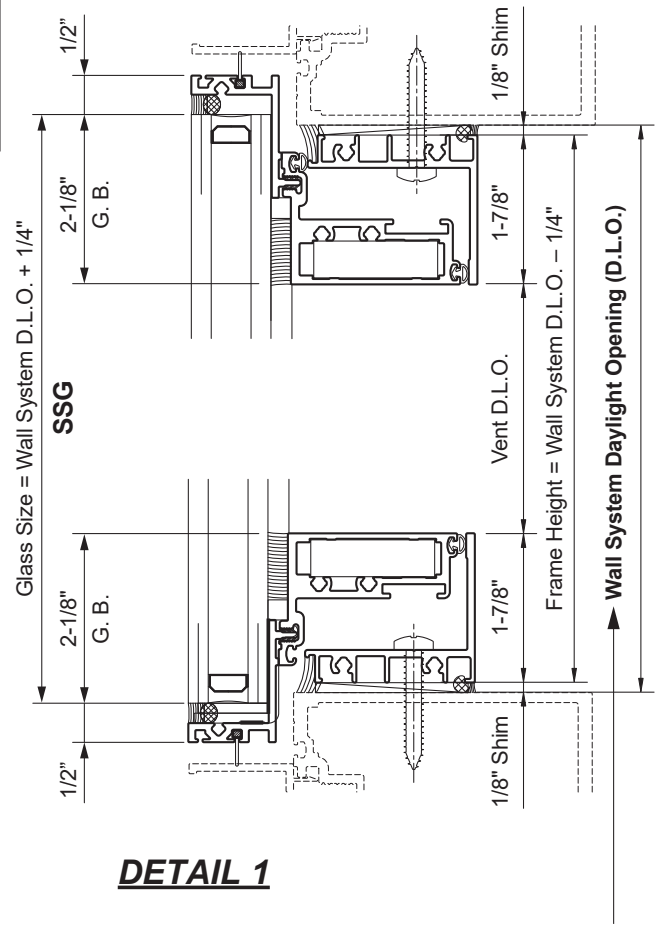
**Note:** All locking options & limit devices may not be available on minimum sizes.

### STEP 1 DETERMINE FRAME, VENT TYPE, & GLASS SIZE

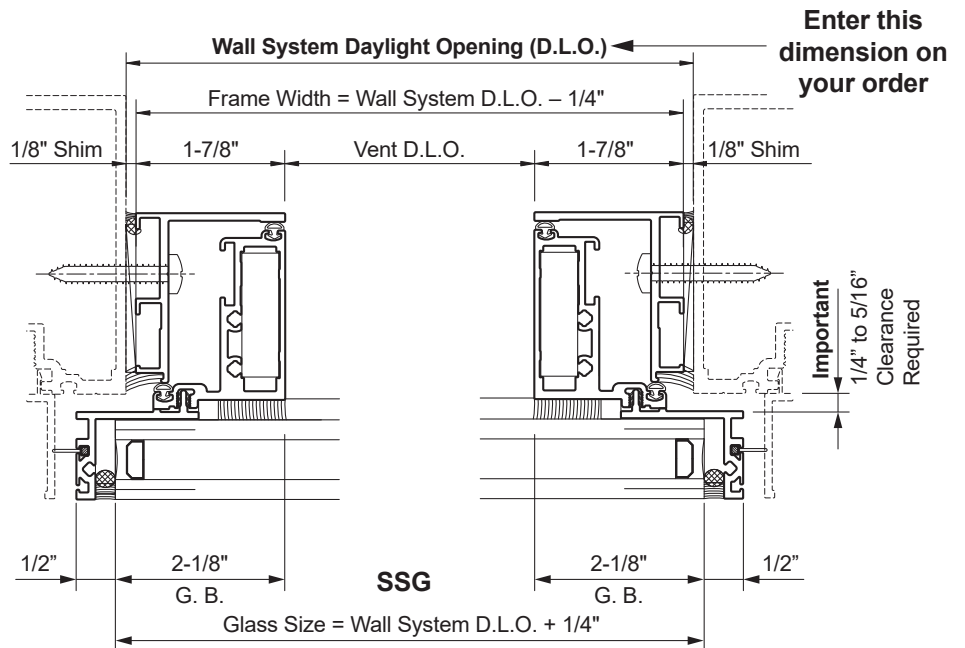
-To enter an order, carefully measure the **wall system daylight opening** of the surrounding framing system at several places along the frame opening, both width and height. Select the smallest dimension and enter this number into the order.

-Glass size is equal to the wall system daylight opening dimensions (D.L.O.) plus (+) 1/4".

See **Detail 1**.



**DETAIL 1**



**CURTAIN WALL PREPARATION: 4-SIDED SSG**

**STEP 2 (Continued)  
FABRICATE / INSTALL VENT ADAPTORS**

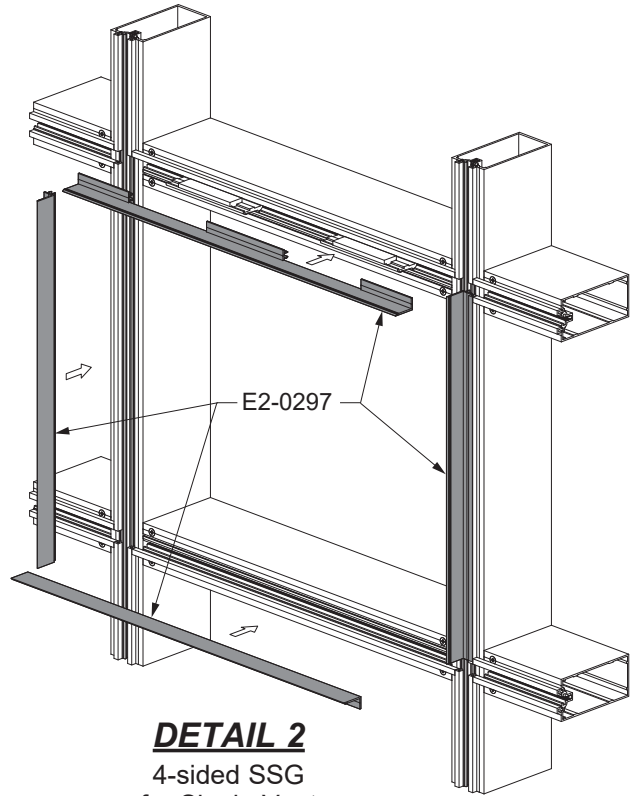
**For Single Vent in YCW 750 SSG 4-sided field glazed:**

The installation of the YOV SSG Vent E2-0297 adaptors occurs before the glazing of the curtain wall.

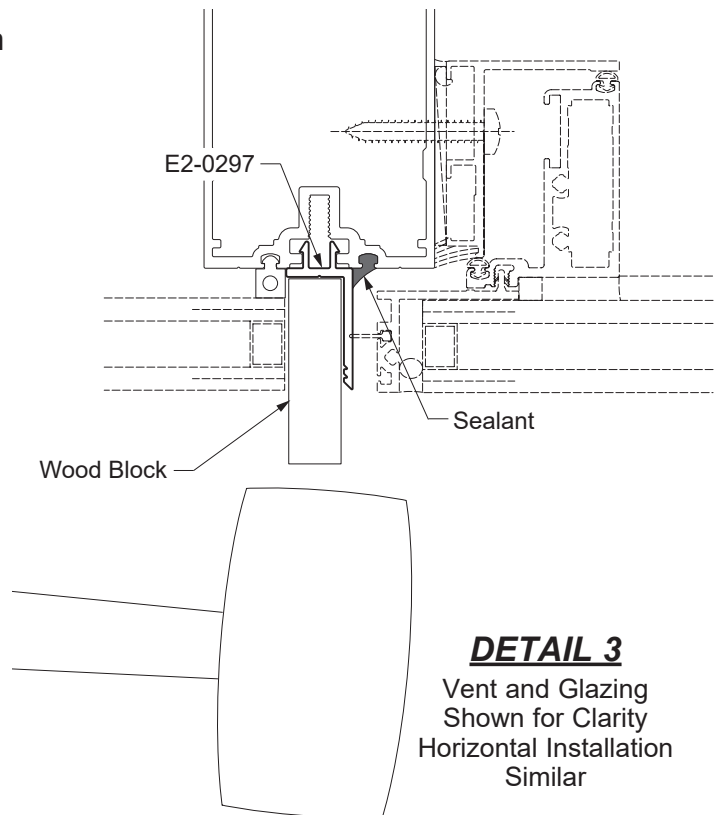
- Cut the vertical adaptors to the curtain wall Daylight Opening Height plus (+) 1-3/4".
- Cut the top and bottom adaptor to curtain wall Daylight Opening Width plus (+) 1-7/8". Notch the snap legs of the adaptor by 1" on each end as shown in **Detail 4** on **Page 3**.
- The top adaptor will require additional notching for the setting block chairs for the glazing above the vent. See **Detail 4** on **Page 3**. Refer to the approved shop drawings for the location of the setting block chairs.
- Snap the adaptor onto the SSG mullion or horizontal at the front center cavity, centered on the Daylight Opening.

**Note:** For all field glazed adaptors, use a block of wood no thicker than 1/2" placed on the base of the adaptor, and tap in with a mallet or hammer. For vertical adaptors, start at the top and work your way to the bottom. For horizontal adaptors work from the left to the right.

- Apply and tool continuous sealant to the vent side of the adaptors as shown in **Detail 3**.



**DETAIL 2**  
4-sided SSG  
for Single Vent

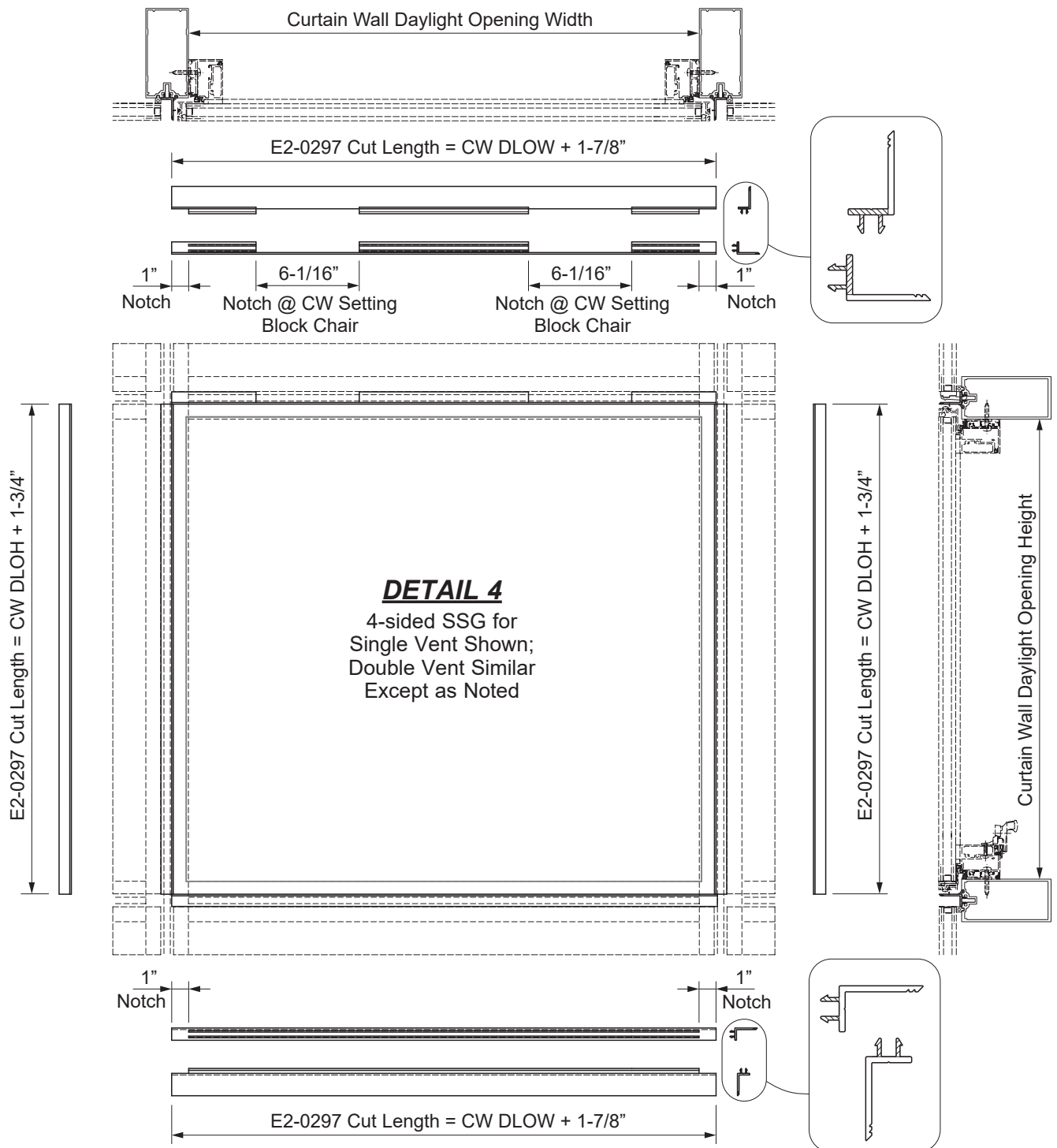


**DETAIL 3**  
Vent and Glazing  
Shown for Clarity  
Horizontal Installation  
Similar

**CURTAIN WALL PREPARATION: 4-SIDED SSG**

**STEP 2 (Continued)  
FABRICATE / INSTALL VENT ADAPTORS**

For Single Vent in YCW 750 SSG 4-sided field glazed (Continued):

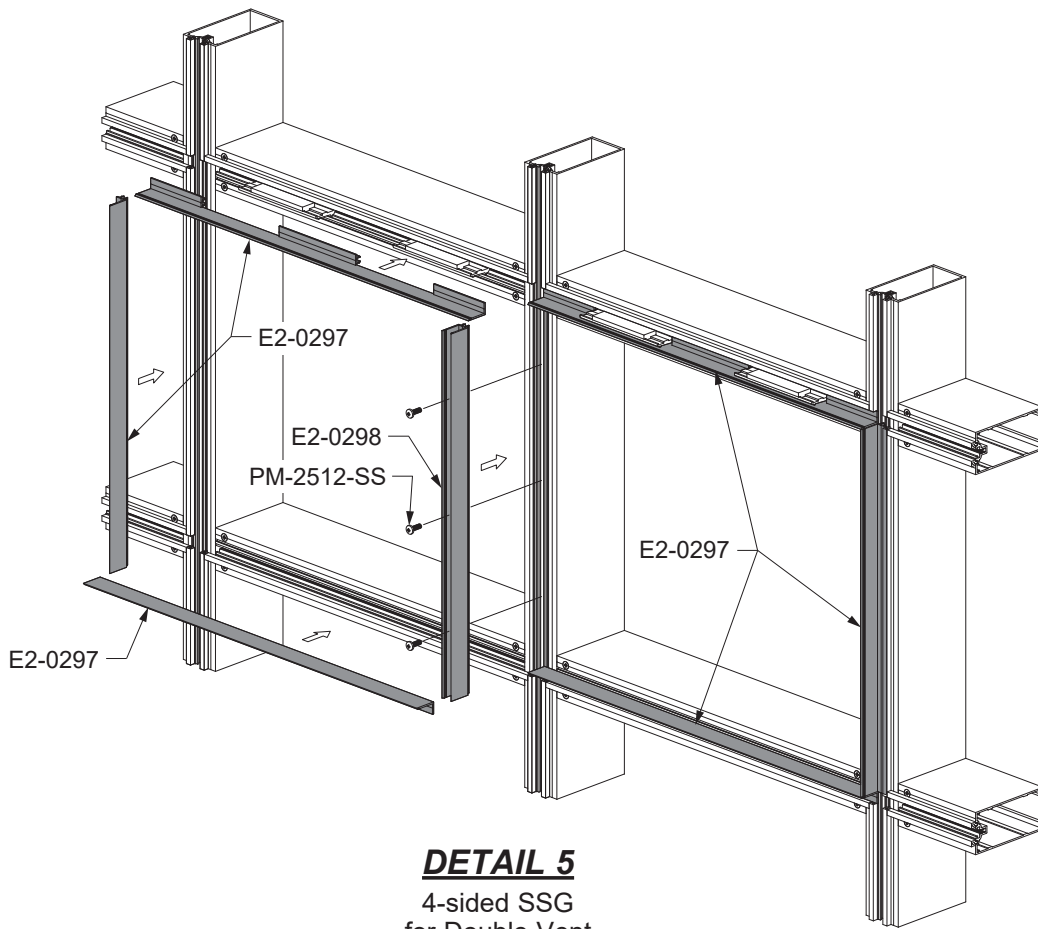


**CURTAIN WALL PREPARATION: 4-SIDED SSG**

**STEP 2 (Continued)  
FABRICATE/INSTALL VENT ADAPTORS**

**For Double Vent in YCW 750 SSG 4-sided field glazed:**

The installation of a double YOV SSG vent in a 4-sided SSG field glazed application is similar to that of the single vent, except the E2-0298 adaptor is used between the two vents.



***DETAIL 5***  
4-sided SSG  
for Double Vent

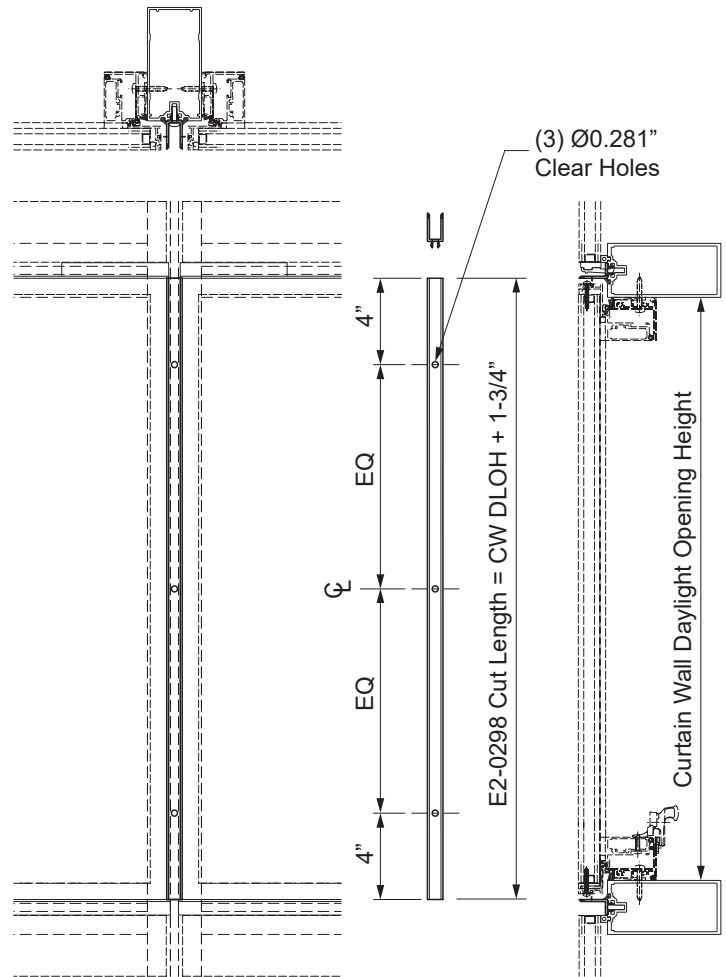


## CURTAIN WALL PREPARATION: 4-SIDED SSG

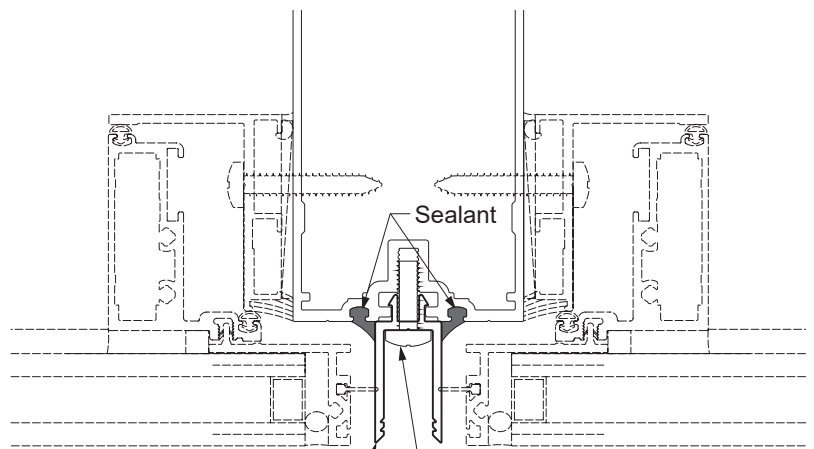
### STEP 2 (Continued) FABRICATE / INSTALL VENT ADAPTORS

For Double Vent in YCW 750 SSG 4-sided field glazed (Continued):

- Cut the E2-0298 vertical adaptor to the curtain wall Daylight Opening Height plus (+) 1-3/4".
- Drill 0.281" diameter clear holes into the adaptor, one at 4" from each end of the adaptor, and one at the midpoint.
- See **Detail 6**.
- Snap the adaptor onto the SSG mullion at the front center cavity, centered vertically on the Daylight Opening, using a block of wood and mallet as previously illustrated on **Detail 3**.
- Fasten the adaptor onto the mullion with three PM-2512-SS screws.
- Apply and tool continuous sealant to both sides of the adaptor as shown in **Detail 7**.
- Fabricate and install all other E2-0297 adaptors in accordance with the single vent instructions on **Pages 2 & 3**.



**DETAIL 6**  
4-sided SSG for  
Double Vent at Center  
SSG Mullion



**DETAIL 7**  
Vent and Glazing  
Shown for Clarity

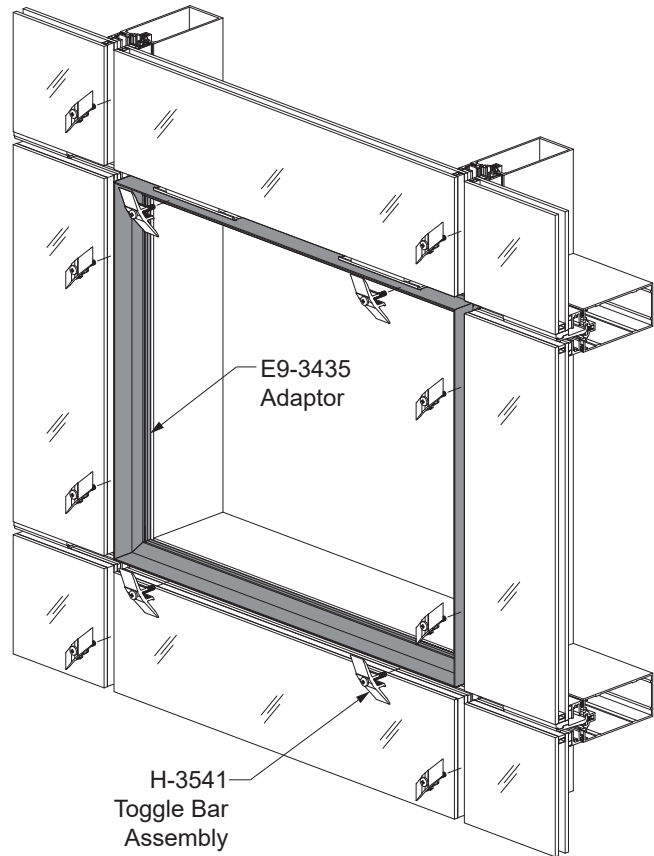
**CURTAIN WALL PREPARATION: 4-SIDED SSG**

**STEP 2 (Continued)  
FABRICATE / INSTALL VENT ADAPTORS**

**For YOV SSG Vent in YCW 750 SSG 4-sided toggle shop glazed cassette system:**

The installation of the YOV SSG Vent E9-3435 adaptors themselves occurs before the curtain wall cassette installation. However, the H-3541 toggles are installed along with the adjacent curtain wall glazing cassettes.

- Cut the E9-3435 adaptors to the curtain wall Daylight Opening plus (+) 1-13/16".
- Miter cut the ends of the adaptors at 45° as shown on **Detail 9** on **Page 7**.
- Drill 0.189" diameter clear holes near the ends of the horizontal adaptors as shown in **Detail 9** on **Page 7**.
- Fasten the horizontal adaptors to the vertical adaptors using PA-0820-SS screws as shown in **Detail 9** on **Page 7**.



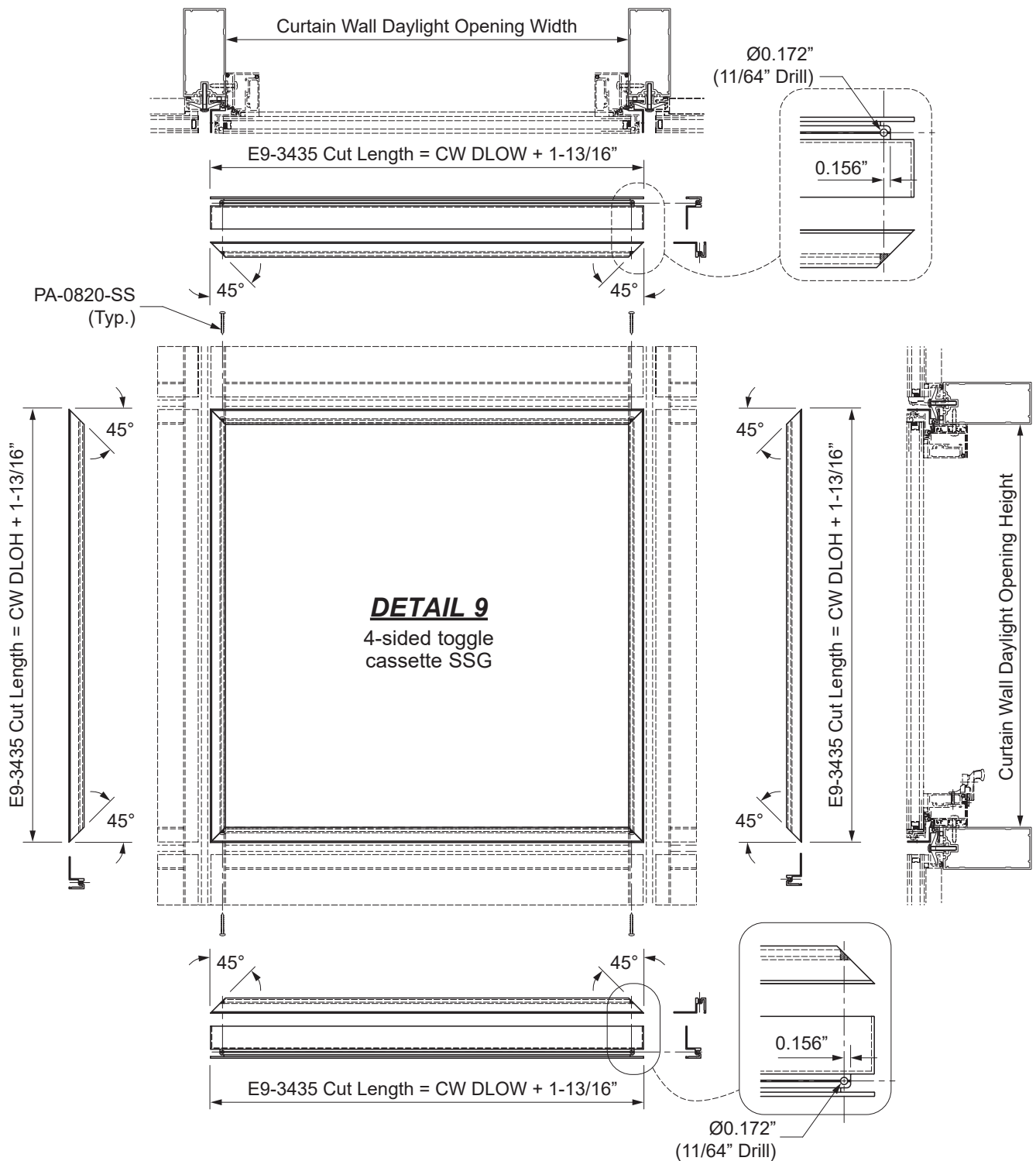
**DETAIL 8**

4-sided toggle cassette SSG

## CURTAIN WALL PREPARATION: 4-SIDED SSG

### STEP 2 (Continued) FABRICATE / INSTALL VENT ADAPTORS

For YOVS SSG Vent in YCW 750 SSG 4-sided toggle shop glazed cassette system:  
(Continued):



**CURTAIN WALL PREPARATION: 4-SIDED SSG**

**STEP 2 (Continued)  
FABRICATE / INSTALL VENT ADAPTORS**

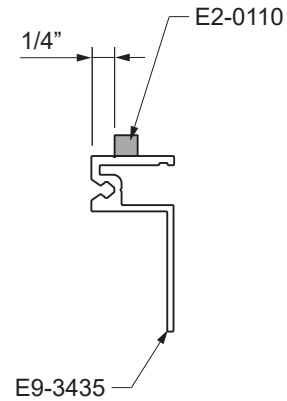
**For YOV SSG Vent in YCW 750 SSG 4-sided toggle shop glazed cassette system:  
(Continued):**

-Clean the interior surfaces of the E9-3435 adaptor assembly and the exterior face of the SSG mullion where the adaptor assembly will adhere to using the two-cloth method.

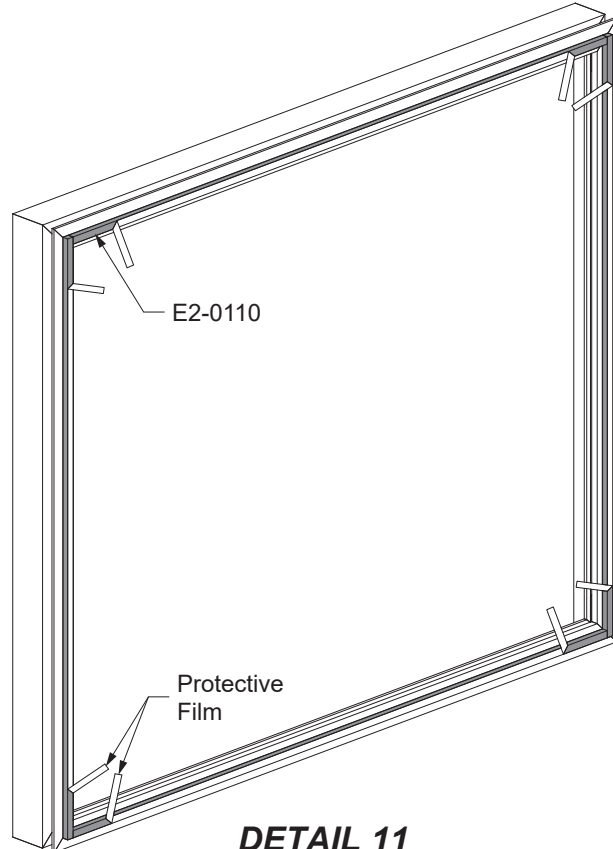
-Cut E2-0110 spacer tape to the Daylight Opening Perimeter: 2 of DLOW plus (+) 1", and 2 of DLOH plus (+) 1"; and adhere one side of it to the back of the adaptor assembly, set inward from the Daylight Opening by 1/4".

See **Detail 10**.

-Peel off about 2" of the protective layer of the spacer tape from each corner of the adaptor assembly and fold it inward as shown in **Detail 11**.



**DETAIL 10**



**DETAIL 11**

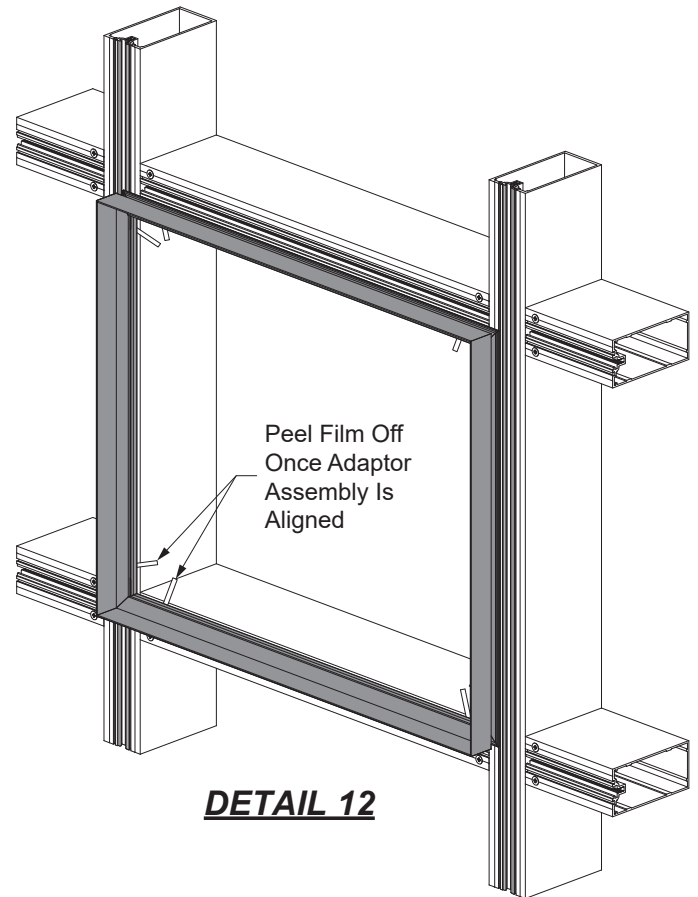
## CURTAIN WALL PREPARATION: 4-SIDED SSG

### STEP 2 (Continued) FABRICATE / INSTALL VENT ADAPTORS

For YOV SSG Vent in YCW 750 SSG 4-sided toggle shop glazed cassette system:  
(Continued):

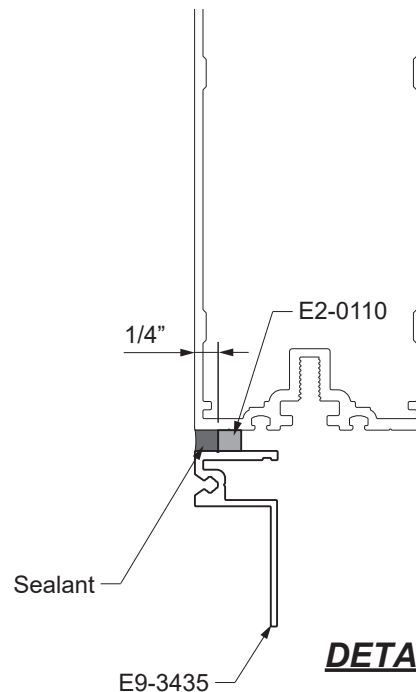
- Set the adaptor assembly onto the curtain wall, carefully aligning it centered on the Daylight Opening.
- Once proper alignment is achieved, peel off the remainder of the protective film and adhere the adaptor assembly onto the curtainwall.

See **Detail 12**.



**DETAIL 12**

- Apply and tool sealant to the gap at the spacer as shown in **Detail 13**.



**DETAIL 13**

**CURTAIN WALL PREPARATION: 4-SIDED SSG**

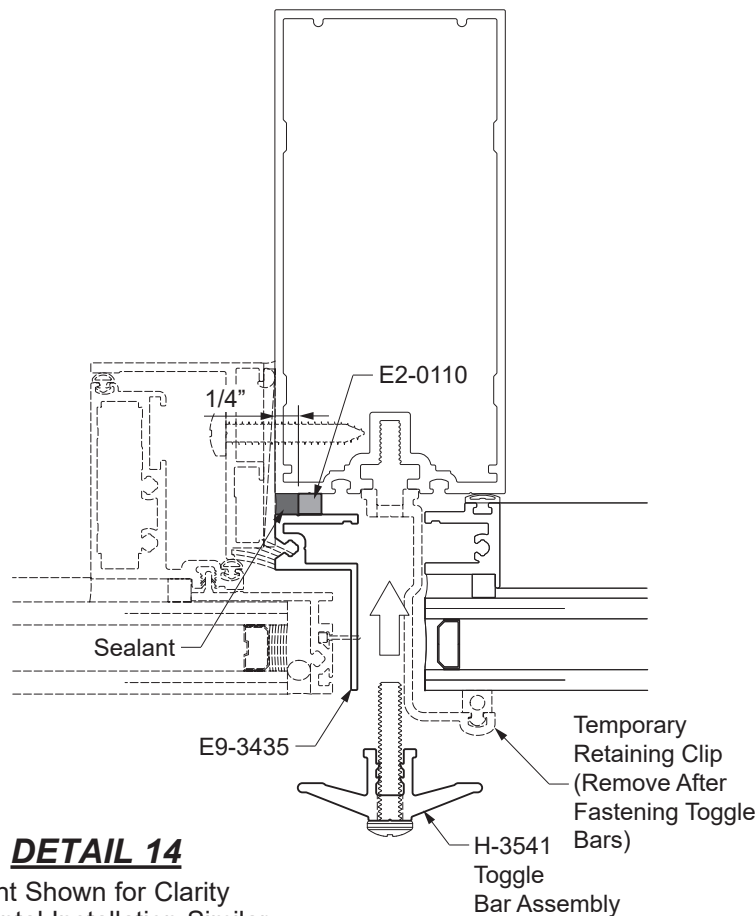
**STEP 2 (Continued)  
FABRICATE / INSTALL VENT ADAPTORS**

**For YOV SSG Vent in YCW 750 SSG 4-sided toggle shop glazed cassette system:  
(Continued):**

- Install the adjacent YCW 750 SSG cassettes in accordance with the **YCW 750 SSG 4-sided Toggle** installation instructions, first using the temporary retaining clips to secure the cassettes to the curtain wall.
- Secure the adaptor assembly and the adjacent curtain wall cassettes in place using the curtain wall toggle bars in accordance with the curtain wall installation instructions.
- Remove the temporary retaining clips after toggles are installed.

See **Detail 14**.

**Note:** Do not reuse a screw location twice, which may weaken the strength of the attachment. If a toggle bar strips the tongue of the mullion, relocate the toggle bar approximately 1/2" away from the intended location.



**DETAIL 14**

Vent Shown for Clarity  
Horizontal Installation Similar

## GENERAL INFORMATION: 2-SIDED SSG

### Frame Size Limitations:

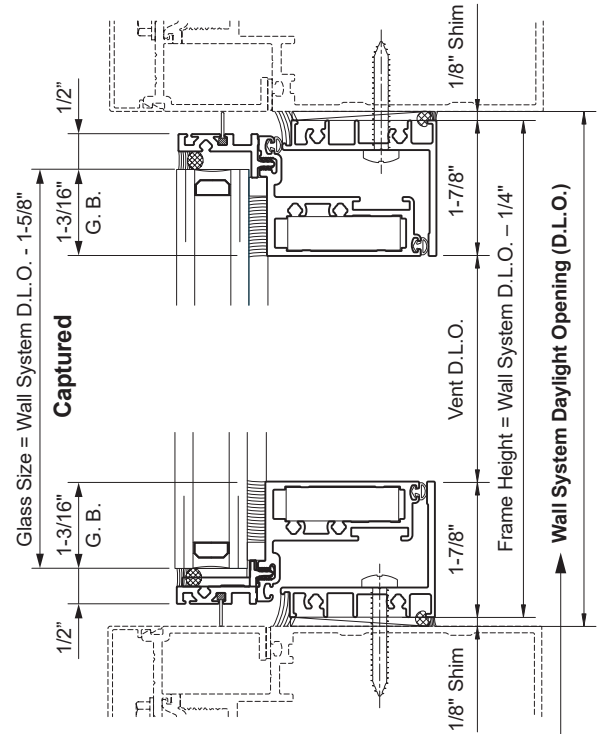
WINDOW	MINIMUM	MAXIMUM
Project	14-3/4" x 15"	60-1/2" x 36"
Casement	15" x 14-3/4"	36" x 60-1/2"

**Note:** All locking options & limit devices may not be available on minimum sizes.

### STEP 1A (Cont'd) DETERMINE FRAME, VENT TYPE, & GLASS SIZE

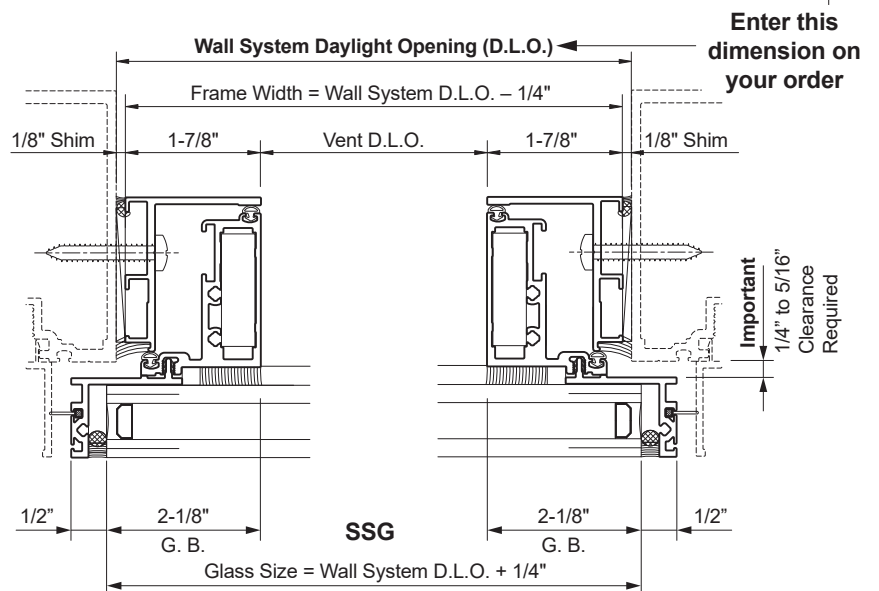
-To enter an order, carefully measure the **wall system daylight opening** of the surrounding framing system at several places along the frame opening, both width and height. Select the smallest dimension and enter this number into the order.

-Glass size is equal to the wall system daylight opening dimensions (D.L.O.) minus (-) 1-5/8" for captured, daylight opening plus (+) 1/4" for SSG.



**DETAIL 15**

See **Detail 15**.



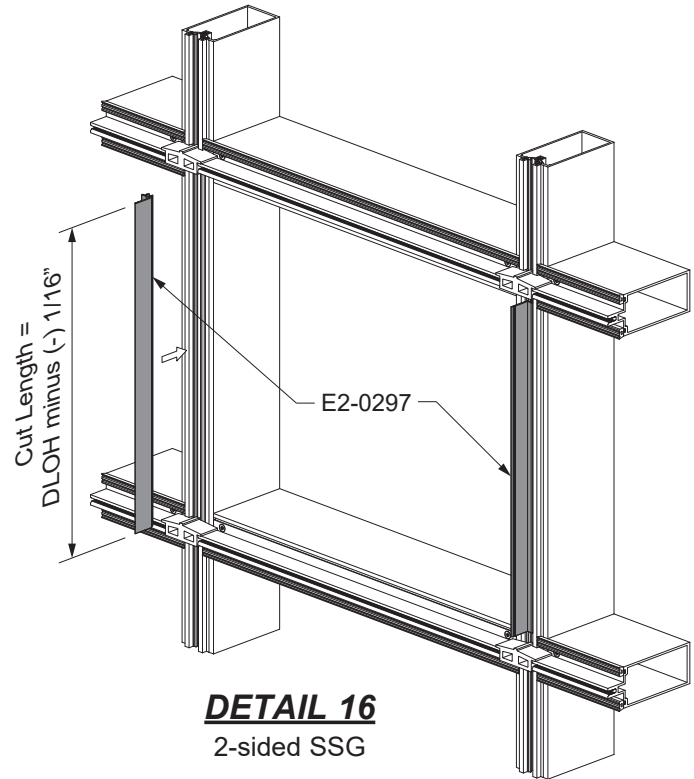
**CURTAIN WALL PREPARATION: 2-SIDED SSG**

**STEP 2A  
FABRICATE / INSTALL VENT ADAPTORS**

**For YCW 750 SSG 2-sided:**

The installation of the YOV SSG Vent E2-0297 adaptors occurs before the glazing of the curtain wall.

- Cut the vertical adaptors to the curtain wall Daylight Opening Height minus (-) 1/16".
- Snap the adaptors onto the SSG mullions at the front center cavity, centered vertically on the Daylight Opening, using a block of wood and mallet as previously illustrated on **Detail 3**.
- Apply and tool continuous sealant to the vent side of the adaptors as previously shown in **Detail 3**.



**DETAIL 16**  
2-sided SSG



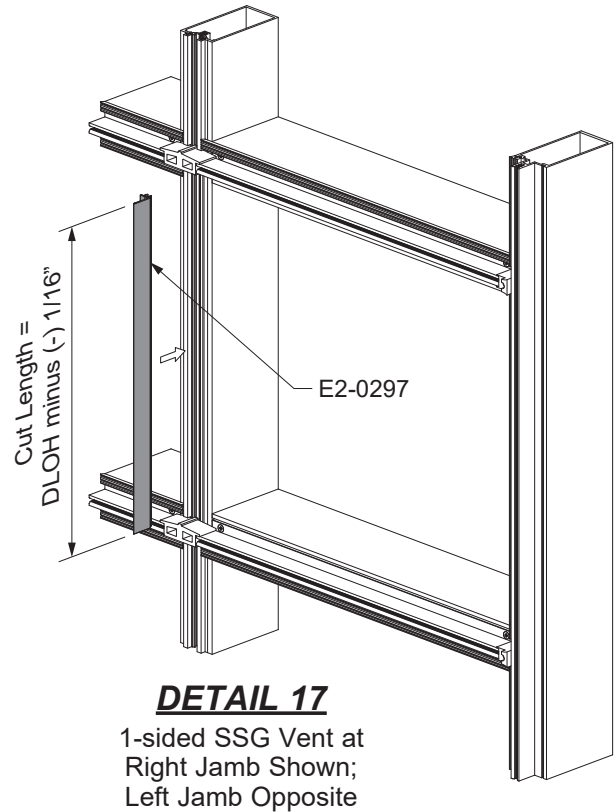
## CURTAIN WALL PREPARATION: 1-SIDED SSG

### STEP 2B FABRICATE / INSTALL VENT ADAPTORS

When a **1-sided SSG** vent is installed at a **captured jamb**, installation is similar to that of the 2-sided SSG, except only one adaptor is used.

See **Detail 17**.

**Note:** Glass width for a 1-sided SSG vent at a captured jamb is D.L.O. minus (-) 5/8".



**GLAZING**

**STEP 3  
GLAZING**

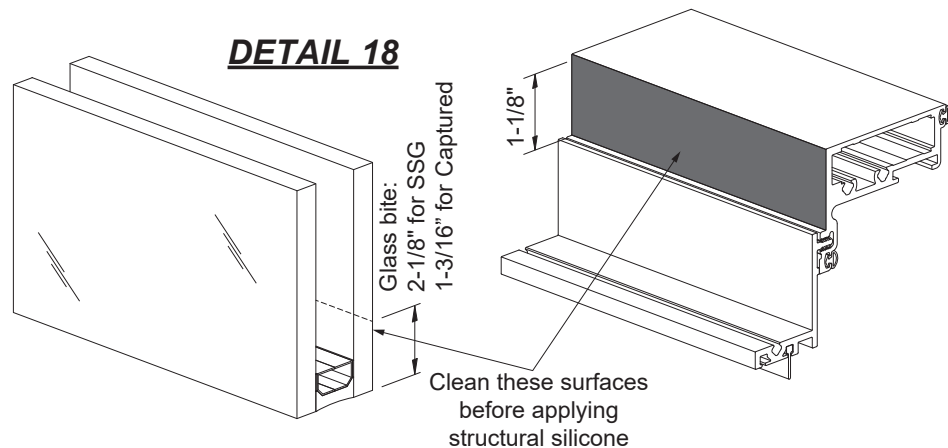
YOV SSG Vents are delivered factory glazed, or open for field glazing.

**NOTE:** For shop glazing, installer must follow GANA Structural Silicone Glazing guidelines and use an approved supplier of insulating glass as established by IGMA (Insulating Glass Manufacturer Alliance), and follow all subsequent ASTM testing methods as specified by GANA.

**Shop Glazing:**

- Remove the vent from the frame leaving the four bar hinge attached to the vent.
- Using an approved cleaner, clean the surfaces of the glass and vent that will come into contact with the structural silicone, using the two-cloth method.

See **Detail 18**.



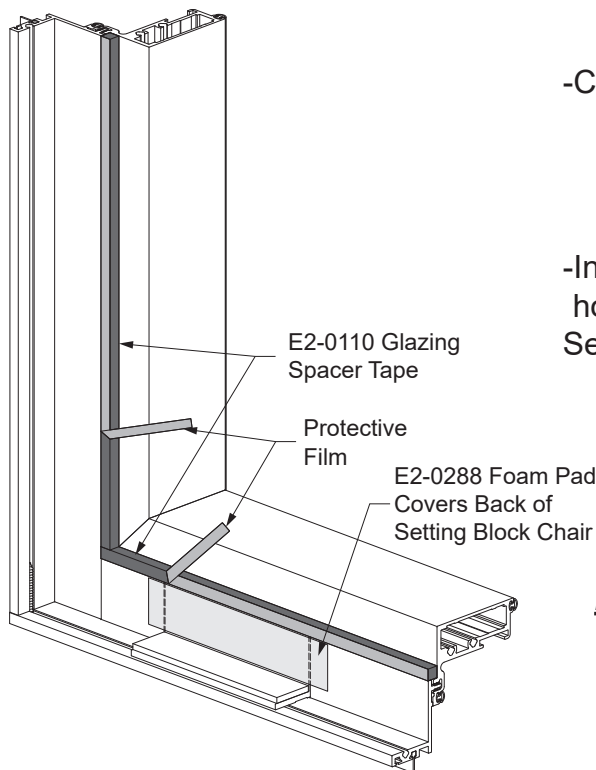
-Cut glazing spacer tape, E2-0110, for the vent:

**Vertical:** Vent D.L.O. plus (+) 2-1/8"

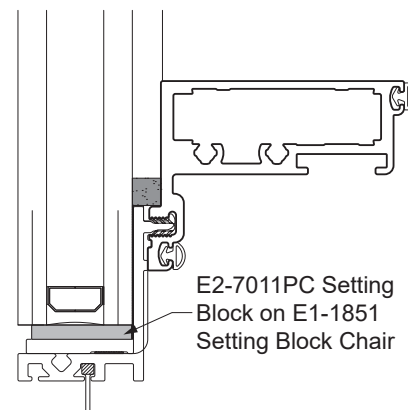
**Horizontal:** Vent D.L.O. plus (+) 1-1/8"

-Install vertical spacers first and then the horizontal spacers between the verticals.

See **Detail 19**.



**DETAIL 19**



## GLAZING

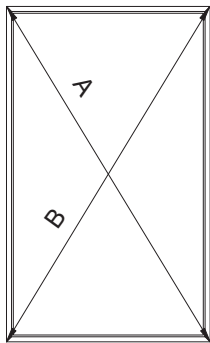
### STEP 3 (Continued) GLAZING

-Check the vent to ensure that it is square by measuring the diagonals (corner to corner). The measured A/B difference should not exceed 1/16":  $A = B (+/- 1/16")$ .

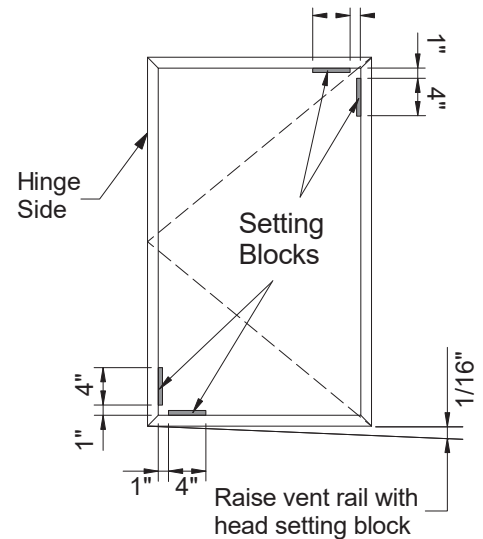
See **Detail 20**.

- Install setting blocks at locations as shown for casement vents.
- Install setting blocks and side blocks for projected vents as shown below.

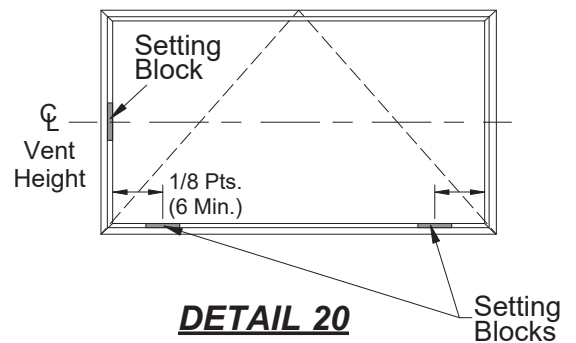
See **Detail 21**.



**DETAIL 20**



- Set the vent down onto the glass, interior side up.
- Check to make sure that the glass is centered in the vent and that it is in full contact with the setting/corner blocks.
- Shim as required.



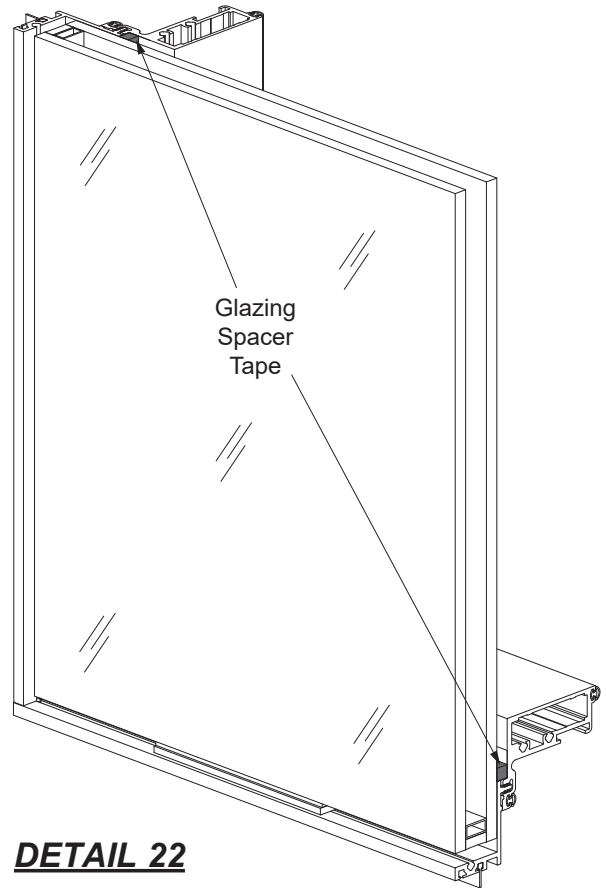
**DETAIL 20**

**GLAZING**

**STEP 3 (Continued)  
GLAZING**

- Carefully lift the vent up and remove the protective film from the top of the glazing spacer tape.
- Press firmly to obtain full adhesion with the glazing spacer.

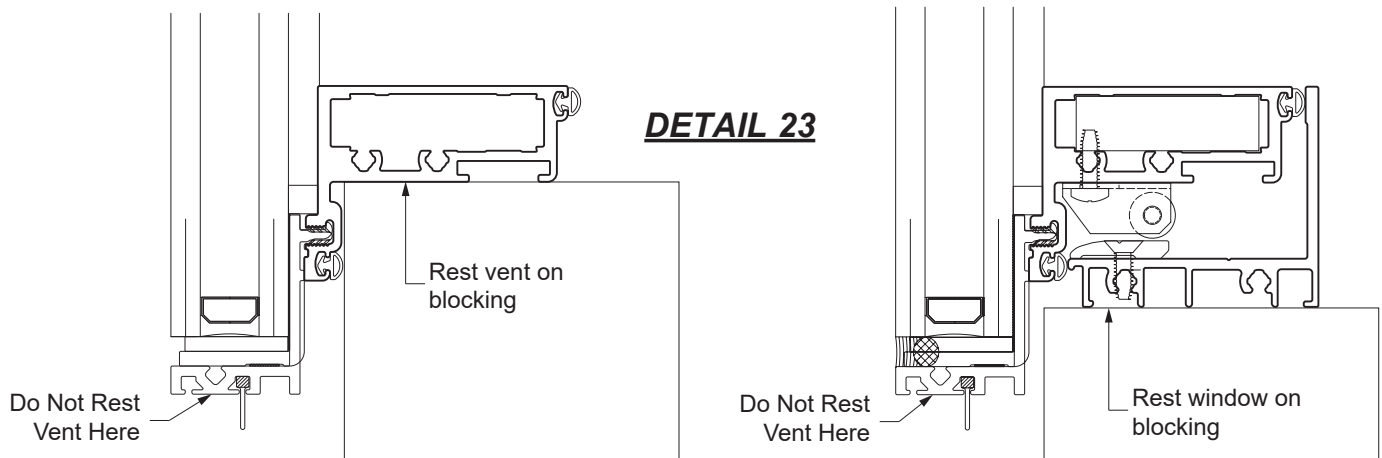
See **Detail 22**.



**DETAIL 22**

**Handling & Storage Note:** Do not allow the vent to rest on vinyl vent adaptors.

See **Detail 23**.



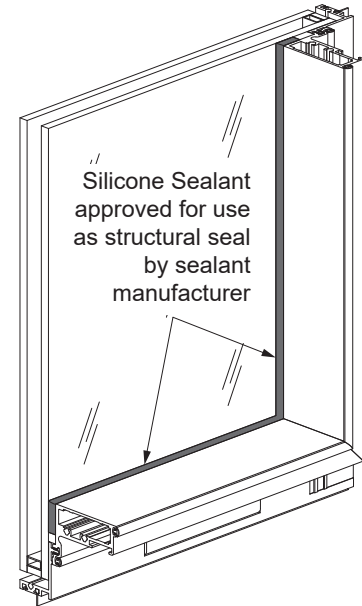
GLAZING

**STEP 4  
APPLY STRUCTURAL SILICONE SEALANT**

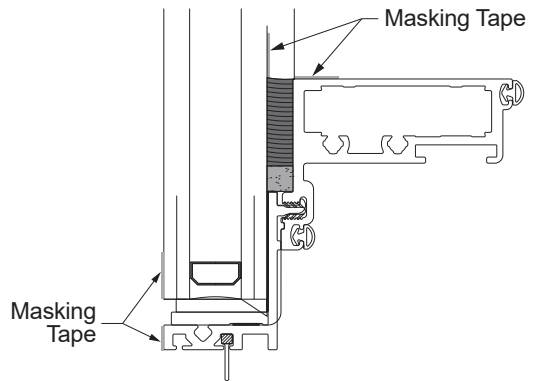
- Apply masking tape to the glass and vent.
- Apply structural silicone sealant using positive pressure to completely fill the cavity between the glass and vent.
- Immediately tool the silicone sealant using positive pressure to ensure that the silicone sealant makes full contact with both the glass and vent.
- Immediately remove the masking tape after tooling, before the silicone sealant skins over.
- Prior to moving the glazed vent, permit the structural silicone to fully cure, as recommended by the sealant manufacturer.

See **Detail 24**.

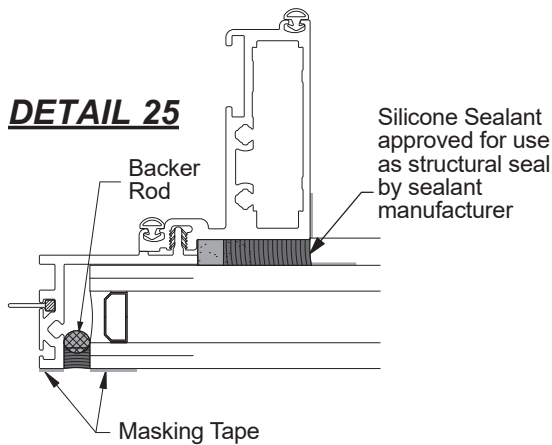
**Caution:** Verify silicone sealant compatibility with seal on the insulating glass unit.



**DETAIL 24**

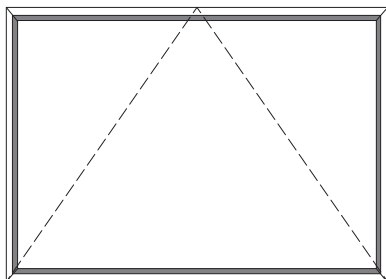


**DETAIL 25**



- Apply silicone weather seal on the exterior of the vent to protect the integrity of the insulating unit.
- Lift up glazed vent, carefully turning the vent over, so that the exterior is facing up.
- Install an approved backer rod between the glass and vent.
- Apply masking tape to the glass and vent.
- Apply sealant to the joint and immediately tool the sealant using positive pressure to ensure that the silicone sealant makes full contact with both the glass and vent.
- Immediately remove the masking tape after tooling. Do not let the sealant cure completely.

See **Details 25 & 26**.



**GLAZING / INSTALLATION**

**STEP 4 (Continued)  
APPLY STRUCTURAL SILICONE SEALANT**

**STEP 5  
INSTALL WINDOW FRAME**

-Set the window frame into the opening and shim as required so that the vent is plumb, square, and level.

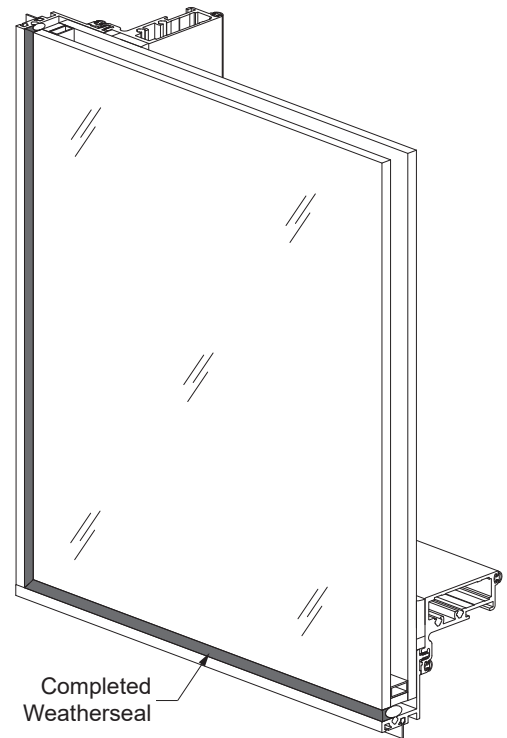
**Note:** Maintain 1/8" to 3/16" setback from the face of the curtain wall members to the front side of the vent frame. If the vent is already installed, maintain 1/4" to 5/16" clearance from the face of the curtain wall members to the back side of the vinyl vent adaptor.

-Anchor the window frame into the surrounding framing:

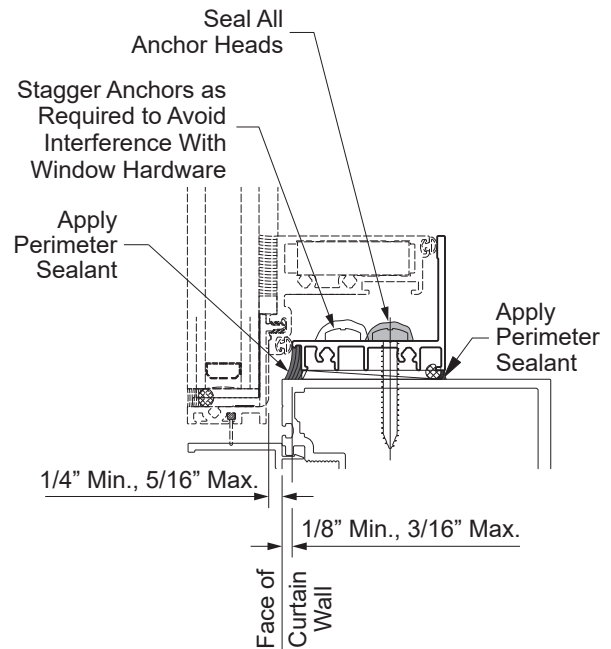
- A maximum of 4" from each corner and a maximum of 13-1/8" on center thereafter; or refer to P.E. calculations or approved Florida Product Approval installation details for fastener type and spacing.

-In addition, anchor and shim at four-bar hinge.

- Seal the heads of all anchor fasteners.
- Install backer rod between the window frame and the curtain wall framing along the interior perimeter of the window.
- Apply a perimeter silicone sealant around both the interior and exterior of the window.
- Tool the sealant to ensure a watertight seal.



**DETAIL 26**



**DETAIL 27**

See **Detail 27**.

## GLAZING / INSTALLATION

### STEP 6

#### ACCESSIBLE WINDOW INSTALLATION

- Accessible Windows require additional care during installation and must be installed plumb, square, and level without twisting, bowing, or racking.
- Final adjustments may be required. Refer to the **Window Products Maintenance Manual** for adjustment directions.

**Caution:** Never use a power screw driver to adjust and/or replace hardware components.

Refer to the Americans with Disabilities Act and Fair Housing Act for more information regarding compliance requirements.

**INSTALLATION**

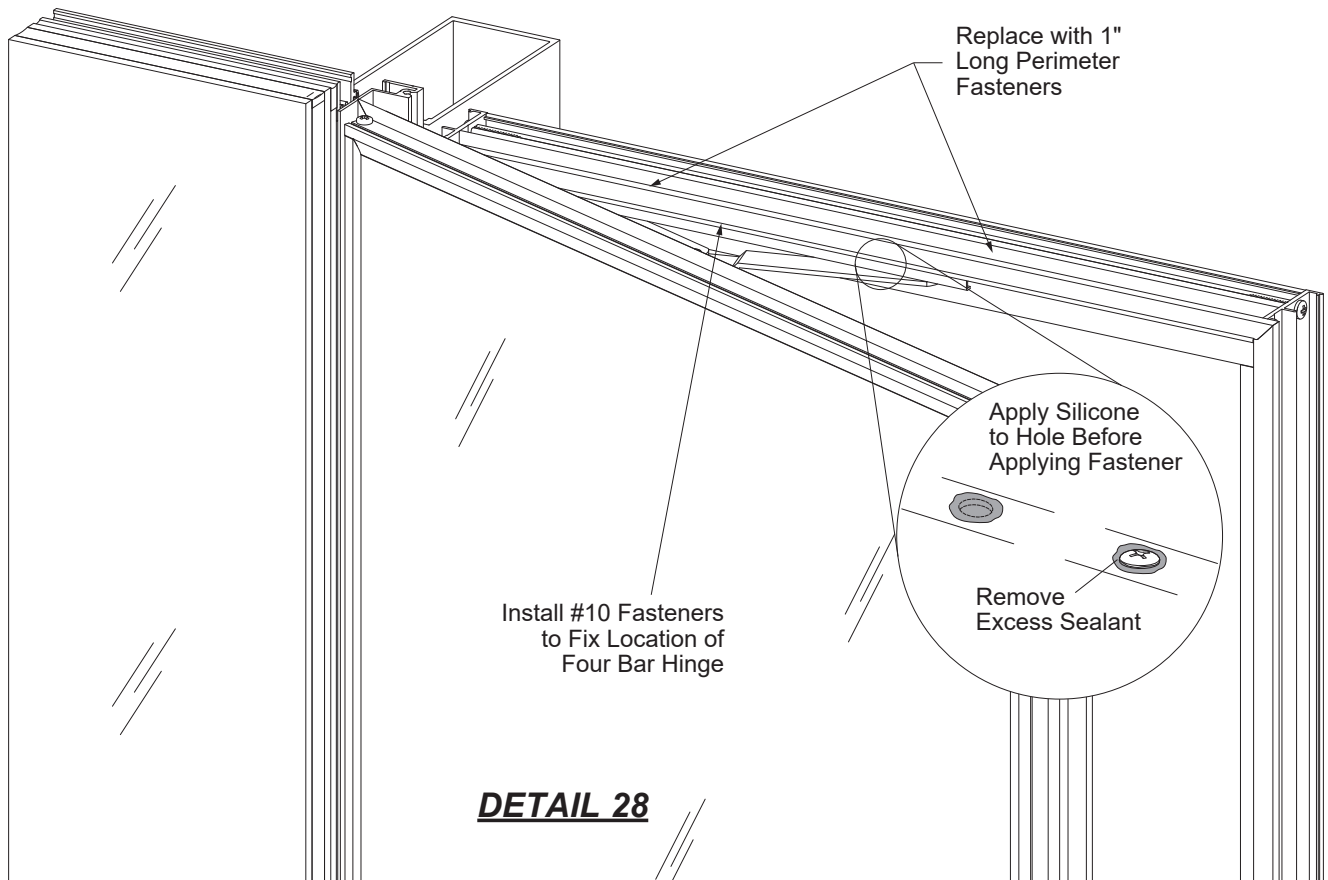
**STEP 7  
INSTALL VENT**

- Carefully set the vent into the window frame and reattach the four bar hinges.
- Loosen the two fasteners that attach each four bar hinge to the vent and adjust the vent so that it operates properly.
- Once adjustments are completed, tighten the two fasteners of each hinge by hand using a screwdriver.

**Note:** Aggressive over-tightening can strip the fasteners.

- Install fasteners that will fix the location of the four bar hinge:
  - Drill a 0.161" diameter (#20 drill bit) hole through the round holes in the four bar hinge at the frame, apply silicone sealant to the hole, and install the #10 stainless steel fasteners provided.
- Remove excess sealant so as to not interfere with operation of four bar hinge.
- Replace the fasteners at each end of the four bar hinge with stainless steel fasteners that are 1" long, to help anchor the window to the surrounding storefront framing.

See **Detail 28**.



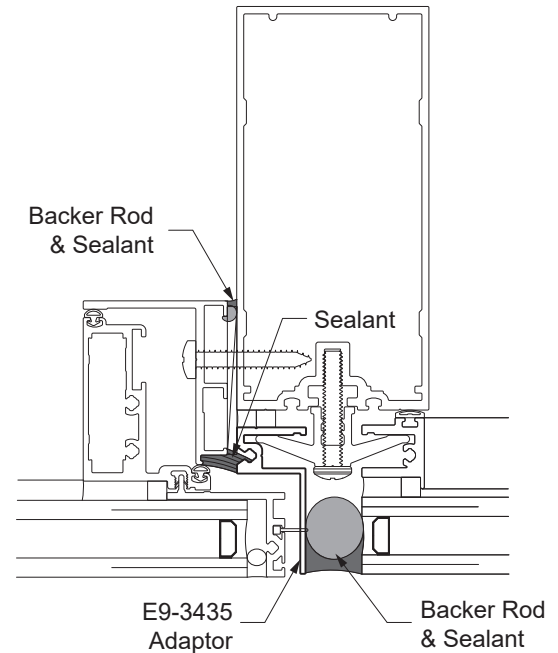


## APPLY PERIMETER SEALANT

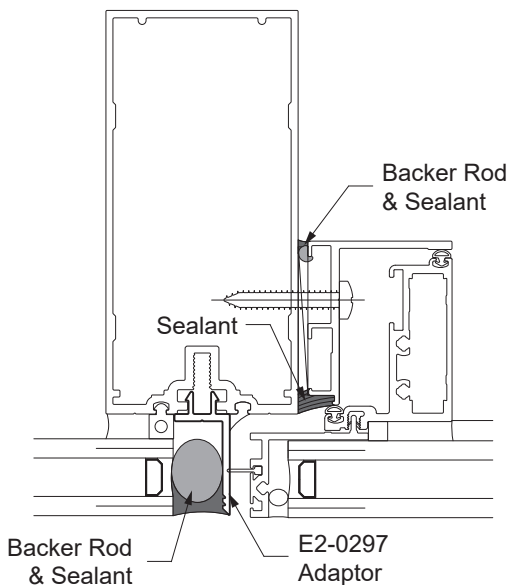
### STEP 8 APPLY PERIMETER SEALANT

-Insert backer rods between the curtain wall adaptors for the vent and the curtain wall glass. Apply and tool sealant according to the curtain wall installation instructions.

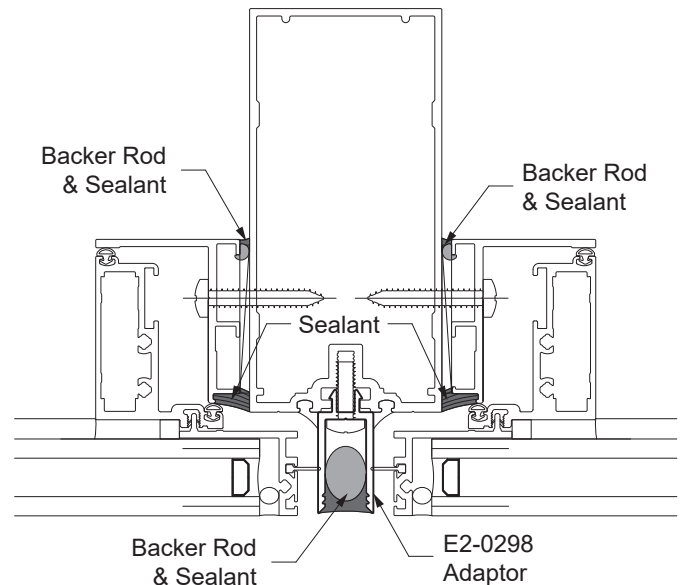
See **Detail 29**.



**DETAIL 29A**  
Vent in 4-sided  
SSG Cassette Glazing



**DETAIL 29B**  
Single Vent in SSG  
Field Glazing



**DETAIL 29C**  
Double Vent in SSG  
Field Glazing



101 Marietta Street NW  
Suite 2100  
Atlanta, Georgia 30303  
[www.ykkap.com](http://www.ykkap.com)