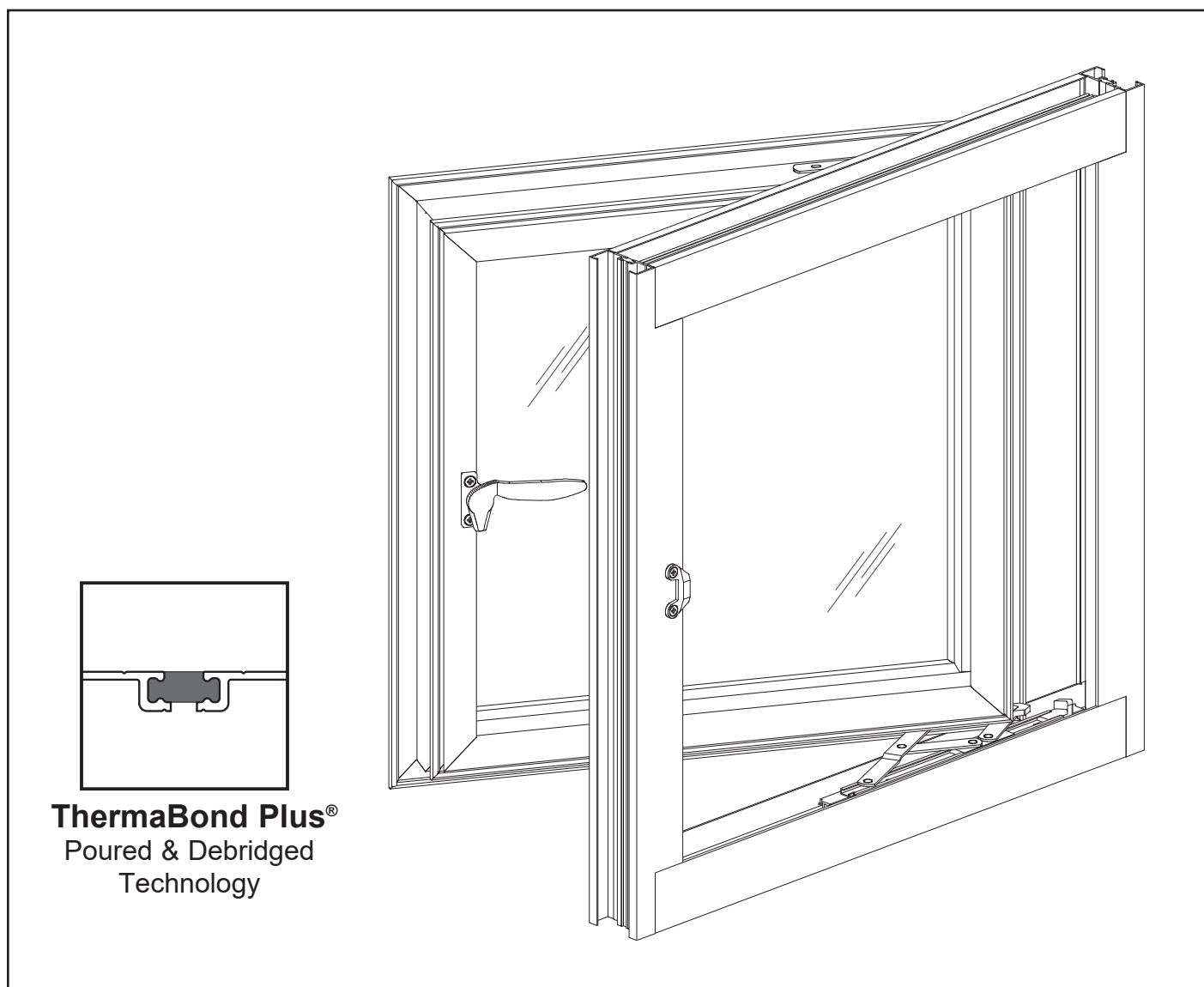


## YOW 225 TU Window System



**ThermaBond Plus®**  
Poured & Debridged  
Technology

### YOW 225 TU SYSTEM DESCRIPTION

- 2-1/4" Overall Depth
- ThermaBond Plus® Poured & Debridged Thermal Break
- Variations: Casement, Projected Vents, & Fixed Windows
- 1" & 1/4" Glazing
- Optional Screens

### YOW 225 TU PERFORMANCE FEATURES

- AAMA/WDMA/CSA 101/I.S.2/A440-08
- AW-65 Rating (Operable)
- AW-100 Rating (Fixed)
- U Value = 0.45 BTU/HR/FT<sup>2</sup>/°F
- CRF of 60
- Factory Assembled & Sealed

## Installation Manual



## TABLE OF CONTENTS

Installation Notes ..... Page ii & iii

### INSTALLATION

Determine Window Reference Point ..... Page 1  
Determine Type of Anchors To Be Used ..... Pages 1 & 2  
Ventilator Installation & Adjustment..... Page 2  
Accessible Window Installation ..... Page 2

### GLAZING

Calculating Glass Sizes..... Pages 3 & 4  
Prep Casement Windows ..... Page 5  
Prep Fixed & Projected Windows..... Page 6  
Prep Projected Windows ..... Page 7  
Install Glass ..... Pages 8 & 9

### INSTALLATION OPTIONS

Install Stacking Mullions / I-Mullion ..... Page 9

### HARDWARE OPTIONS

Locking Point / Keeper Adjustment ..... Page 10  
Anchoring Parts List ..... Page 11  
Hardware Guide ..... Page 12  
Accessible Window Hardware Guide ..... Page 13  
Hardware ..... Pages 14 to 16

### GLAZING ACCESSORIES

Glazing Chart..... Page 17  
Glass Stops ..... Page 17

## **INSTALLATION NOTES**

1. Do not drop, roll or drag boxes of aluminum framing. Move and stack boxes with proper support to prevent distortion. If fork lifts are used, be especially careful about striking the boxes when lifting or moving.
2. Store in a dry, out of the way area. If rain exposure, condensation or any water contact is likely, then all packaging material should be removed. Wet packaging materials will discolor and may stain aluminum finishes and paints.
3. All materials should be checked for quantity and quality upon receipt, YKK AP must be notified immediately of any discrepancies in shipment. Check to make sure that you have the required shims, sealants, supplies, and tools necessary for the installation.
4. Carefully check the openings and surrounding conditions that will receive your material. Remember, if the construction is not per the construction documents, it is your responsibility to notify the general contractor in writing. Any discrepancies must be brought to the general contractor's attention before you proceed with the installation.
5. Collect your shop drawings, materials, packing list, and this installation manual. Carefully review parts location, the sequence of installation, when you glaze it, and how you seal it. Installation instructions are of a general nature and may not cover every condition you will encounter. The shop drawings and/or installation manuals were prepared specifically for the product.
6. Any material substitutions must be of equal or greater quality.
7. Make certain that material samples have been sent for compatibility and adhesion testing for all manufacturer's sealants involved. Make certain that sealants have been installed in strict accordance with the manufacturer's recommendations and specifications.
8. Consult sealant manufacturer for proper sealant and backer rod selection.
9. Remember to isolate, in an approved manner, all aluminum from uncured masonry or other incompatible materials.
10. System-to-structure fasteners are not supplied by YKK AP. Fasteners called out on shop drawings are to indicate minimum sizes for design loading.
11. If any questions arise concerning YKK AP products or their installation, contact YKK AP for clarification before proceeding.

## INSTALLATION NOTES

12. YKK AP window installation is typically completed before drywall, flooring and other products which may still be in process. Take the extra time to wrap and protect the work produced.
13. Cutting tolerances are plus or minus one thirty second of an inch (1/32") unless otherwise specified.
14. YKK AP Model YOW 225 TU windows are prefinished, prefabricated, and preassembled products, and must be protected against damage.
15. Concrete, mortar, plaster, muriatic acid and other alkaline and acid based construction and cleaning materials may be very harmful to window finishes and should be removed with water and mild soap immediately or permanent damage or staining of the finishes will occur. A spot test is recommended before any cleaning agent is used, and abrasive type cleaners must never be used.
16. Windows are never to be used as ladders, step stools, scaffolds or scaffold supports.
17. All work must start from and be referenced to benchmarks, offset lines and/or column centerlines established by the architectural drawings and the general contractor.
18. All windows must be installed plumb, square, and level, and in accordance with approved shop drawings and these installation instructions.
19. Glass and glazing building codes governing the design and use of products vary widely. YKK AP America Inc. does not control the selection of products, product configurations, operating hardware and function, or glazing materials, and YKK AP assumes no responsibility for these design considerations. It is the responsibility of the design professional, owner, architect, specifier, general contractor, and the installer to make these selections in strict accordance with all applicable codes.
20. Do not fasten ceiling support angles, blind pockets, drapery tracks, convactor covers or stools to the windows or the receptors. The window system is not designed to support the additional load and must be free to expand and contract under normal thermal cycling conditions.
21. Check our website, [www.ykkap.com](http://www.ykkap.com), for the latest installation manual update prior to commencing work.



## INSTALLATION

### STEP 1 DETERMINE WINDOW REFERENCE POINT

Establish the window reference lines or the exterior/interior plane of the windows to be installed using either bench marks, offset lines, or column centerlines provided by the general contractor and referenced on the shop drawings. Use the established reference points to determine the installation points for each window opening at the head, jambs, and sill.

Inspect window frame joinery to ensure they have not been stressed or broken during transportation and handling to the opening. Reseal any stressed or broken seals with Tremsil 600 or equal.

### STEP 2 DETERMINE THE TYPE OF WINDOW ANCHORS TO BE USED

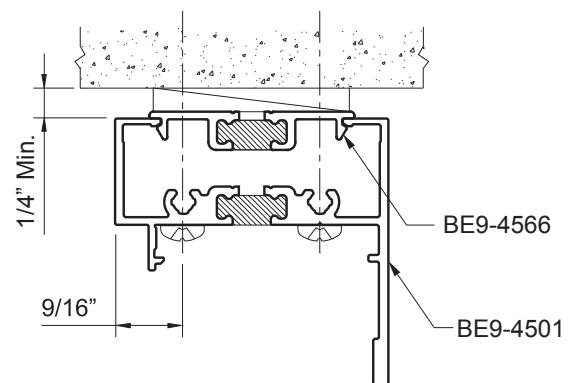
The type of window anchoring used will depend upon the job conditions and the installer's preference. No. 10 fasteners are to be the minimum size used; consult the shop drawings and engineering calculations as the project conditions may require larger fasteners.

See **Details 1 & 2.**

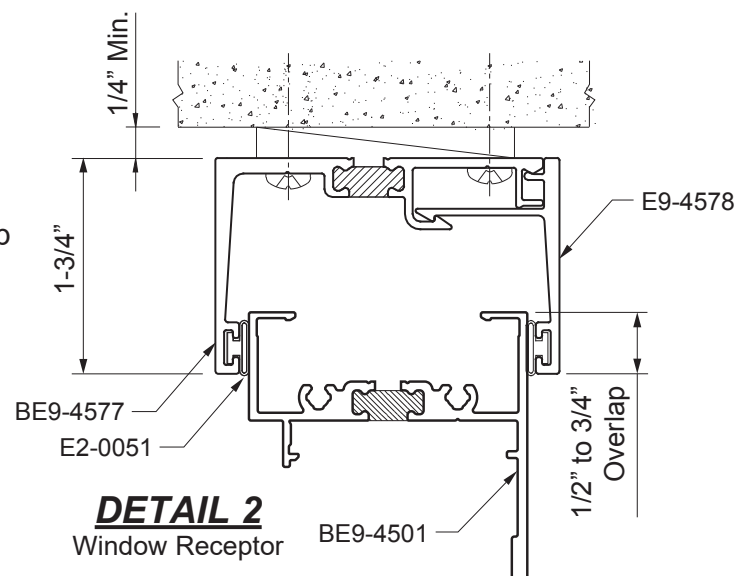
Location of fasteners:

- A maximum of 3" from the corner of all frames and receptors.
- At 15" on center staggered from the front to the back.
- A maximum of 3" on each side from the centerline of ventilator locking points.
- Shim solidly between the window and building substrate and do not "open" window joinery when anchoring.
- Add anchorage at hinges, especially butt hinges.

**Note:** For fabrication and installation of head receptors, sill flashings, strap anchors, steel twist anchors, edge clip anchors, and trim & clip anchors, refer to the **Window Accessories Installation Manual.**



**DETAIL 1**



**DETAIL 2**

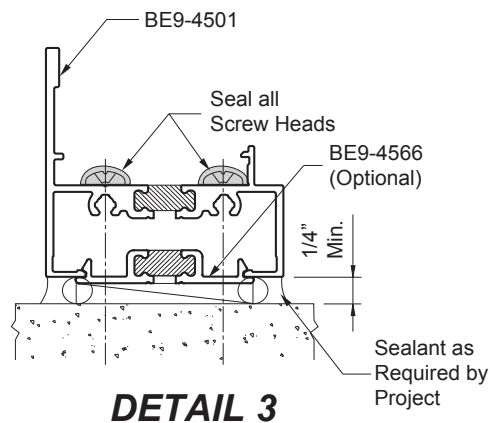
Window Receptor

## INSTALLATION

### STEP 2 (Continued)

#### DETERMINE THE TYPE OF WINDOW ANCHORS TO BE USED

Refer to the specific fastener manufacturer's recommendations for proper edge distance, embedment, and spacing for masonry applications. Seal all screw heads that penetrate the framing and make water tight. See **Detail 3**.



### STEP 3

#### VENTILATOR INSTALLATION AND ADJUSTMENT

- All operating hardware and components must be checked for proper alignment, margins, and operation.
  - If necessary adjust the hinges, keepers, friction arms and pivots to ensure the proper operation of locking devices and the compression of the weather seal.
  - Push hinges as close to the hinge jamb as possible and as tight towards the interior as possible.
  - Check gasket compression between frame and vent. Insert a piece of paper between the frame and vent. Close the vent. Moderate resistance to pulling the paper should be felt. Check all four sides of the vent.
  - All hardware must be cleaned to provide smooth operation.
- See **Page 10** for multi-point lock adjustment.

**Note:** To re-install 4-bar hinges after loosening or removal, tighten the fasteners by hand using a screwdriver or allen wrench, depending on fastener type. Aggressive over-tightening may strip the fasteners.

### STEP 4

#### ACCESSIBLE WINDOW INSTALLATION

- Accessible Windows require additional care during installation and must be installed plumb, square, and level without twisting, bowing, or racking.
- Final adjustments may be required. Refer to the **Window Products Maintenance Manual** for adjustment directions.

**Caution:** Never use a power screw driver to adjust and/or replace hardware components.

Refer to the Americans with Disabilities Act and Fair Housing Act for more information regarding compliance requirements.



**CALCULATING GLASS SIZES**

<b>ELEVATION FIXED WINDOW</b>				
		<b>FIXED GLASS SIZE</b>	<b>GLASS W</b>	$FW - 3 \frac{3}{8}'' [85.7\text{mm}]$
	<b>GLASS H</b>	$FH - 3 \frac{3}{8}'' [85.7\text{mm}]$	$h1, h2 - 2 \frac{15}{16}'' [74.6\text{mm}]$	$FH - 3 \frac{3}{8}'' [85.7\text{mm}]$

<b>ELEVATION CASEMENT OUTSWING INSWING</b>				
		<b>VENT GLASS SIZE</b>	<b>GLASS W</b>	$FW - 5 \frac{7}{8}'' [149.2\text{mm}]$
	<b>GLASS H</b>	$FH - 5 \frac{7}{8}'' [149.2\text{mm}]$	$h1 - 5 \frac{7}{16}'' [138.1\text{mm}]$	$h2 - 5 \frac{7}{16}'' [138.1\text{mm}]$
<b>FIXED GLASS SIZE</b>	<b>GLASS W</b>	N/A	$FW - 3 \frac{3}{8}'' [85.7\text{mm}]$	$FW - 3 \frac{3}{8}'' [85.7\text{mm}]$
	<b>GLASS H</b>	N/A	$h2 - 2 \frac{3}{8}'' [60.3\text{mm}]$	$h1 - 2 \frac{3}{8}'' [60.3\text{mm}]$

<b>ELEVATION CASEMENT OUTSWING INSWING</b>				
		<b>VENT GLASS SIZE</b>	<b>GLASS W</b>	$w1 - 5 \frac{7}{16}'' [138.1\text{mm}]$
	<b>GLASS H</b>	$FH - 5 \frac{7}{8}'' [149.2\text{mm}]$	$FH - 5 \frac{7}{8}'' [149.2\text{mm}]$	$FH - 5 \frac{7}{8}'' [149.2\text{mm}]$
<b>FIXED GLASS SIZE</b>	<b>GLASS W</b>	$w2 - 2 \frac{3}{8}'' [60.3\text{mm}]$	$w2 - 1 \frac{3}{8}'' [34.9\text{mm}]$	N/A
	<b>GLASS H</b>	$FH - 3 \frac{3}{8}'' [85.7\text{mm}]$	$FH - 3 \frac{3}{8}'' [85.7\text{mm}]$	N/A

**NOTE:** GLASS BITE = 1/2" (for 1/4" & 1" Glazing)

## CALCULATING GLASS SIZES

<b>ELEVATION</b>  <b>PROJECT</b> <b>OUTSWING</b> <b>INSWING</b>				
<b>VENT</b> <b>GLASS SIZE</b>	<b>GLASS W</b>	$FW - 5 \frac{7}{8}'' [149.2\text{mm}]$	$FW - 5 \frac{7}{8}'' [149.2\text{mm}]$	$w1, w2 - 5 \frac{7}{16}'' [138.1\text{mm}]$
	<b>GLASS H</b>	$FH - 5 \frac{7}{8}'' [149.2\text{mm}]$	$h1 - 5 \frac{7}{16}'' [138.1\text{mm}]$	$h1 - 5 \frac{7}{16}'' [138.1\text{mm}]$
<b>FIXED</b> <b>GLASS SIZE</b>	<b>GLASS W</b>	N/A	$FW - 3 \frac{3}{8}'' [85.7\text{mm}]$	$w1, w2 - 2 \frac{15}{16}'' [74.6\text{mm}]$
	<b>GLASS H</b>	N/A	$h2 - 2 \frac{3}{8}'' [60.3\text{mm}]$	$h2 - 2 \frac{3}{8}'' [60.3\text{mm}]$

<b>ELEVATION</b>  <b>PROJECT</b> <b>OUTSWING</b> <b>INSWING</b>			
<b>VENT</b> <b>GLASS SIZE</b>	<b>GLASS W</b>	$FW - 5 \frac{7}{8}'' [149.2\text{mm}]$	$FW - 5 \frac{7}{8}'' [149.2\text{mm}]$
	<b>GLASS H</b>	$h2 - 5 \frac{7}{16}'' [138.1\text{mm}]$	$h1, h2 - 5 \frac{7}{16}'' [138.1\text{mm}]$
<b>FIXED</b> <b>GLASS SIZE</b>	<b>GLASS W</b>	$FW - 3 \frac{3}{8}'' [85.7\text{mm}]$	N/A
	<b>GLASS H</b>	$h1 - 2 \frac{3}{8}'' [60.3\text{mm}]$	N/A

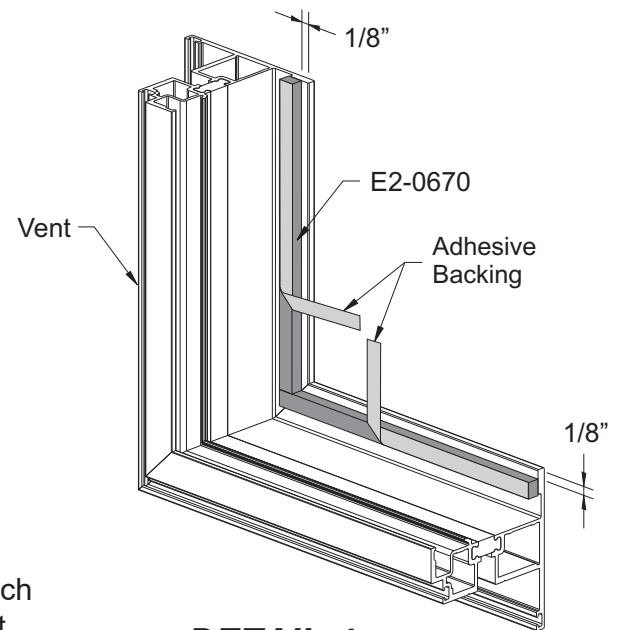
**NOTE:** GLASS BITE = 1/2" (for 1/4" & 1" Glazing)

## GLAZING

### STEP 5A PREP CASEMENT WINDOWS

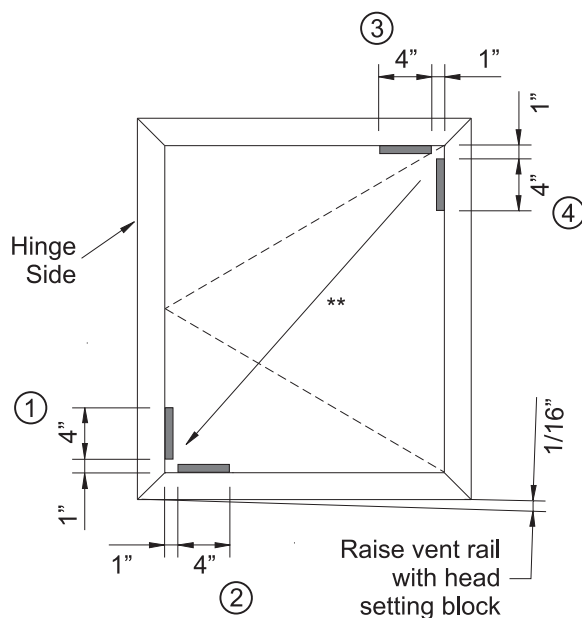
Casement windows require “Corner Blocking” for proper operation.

1. Verify that the frame and vent are properly aligned with a 1/8” margin around the entire perimeter of the vent.
2. Remove the glazing beads and clean the exterior glazing leg with an approved cleaning agent using the “two cloth” cleaning method.
3. Install exterior glazing tape, E2-0670, on all four sides:
  - Leave a 1/8” gap between the edge of the tape and the edge of the ventilator.
  - Make certain that the corners of the tape do not overlap as this will prevent full contact around the perimeter of the glass.
4. Peel back the tape adhesive backing 3” to 4” at each corner and fold them towards the inside of the vent.



**DETAIL 4**

See **Detail 4**.



**DETAIL 5**

\*\* Glass weight is transferred to bottom corner and hinge.

5. Install setting blocks at locations 1,2 and 4.
6. If bench glazing, make sure that the casement vent is fully supported from underneath before proceeding.
7. Unlock the ventilator lock and install a setting block at location 3.
8. Change setting blocks as required to square up the vent.
9. Raise up the vent's locking rail 1/16” and shim so that as the setting blocks compress the locks will align properly.

See **Detail 5**.

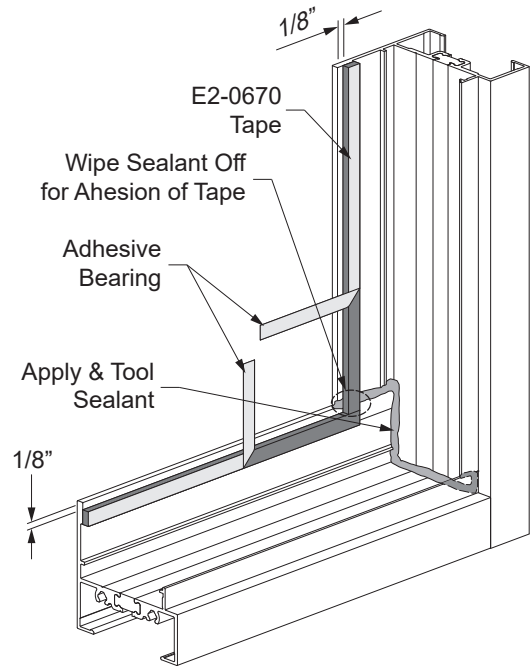
Finish glazing in accordance with standard glazing instructions in **Steps 6 & 7 on Page 8 & 9**.

**GLAZING**

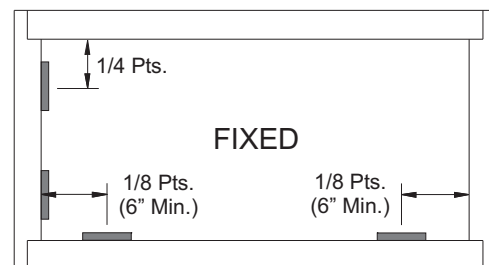
**STEP 5B  
PREP FIXED WINDOWS**

1. Verify that the frame is square.
2. Remove the glazing beads and clean the exterior glazing leg with an approved cleaning agent using the “two cloth” cleaning method. Also clean the interior corners of the frame glazing pocket.
3. Apply and tool sealant to the interior corners of the frame glazing pocket as shown in **Detail 6**.
4. Prior to installing exterior glazing tape, E2-0670, wipe the sealant off where the tape is to be adhered.
5. Install exterior glazing tape on all four sides:
  - Leave a 1/8” gap between the edge of the tape and the edge of the ventilator/frame.
  - Make certain that the corners of the tape do not overlap as this will prevent full contact around the perimeter of the glass.
6. Peel back the tape adhesive backing 3” to 4” at each corner and fold them towards the inside of the vent/window.
7. Install setting blocks at 1/8 points (at least 6” from jambs) for fixed frames and intermediate horizontal mullions.
8. Install (2) side blocks at 1/4 points for fixed frames as shown.

See **Detail 7**.



**DETAIL 6**

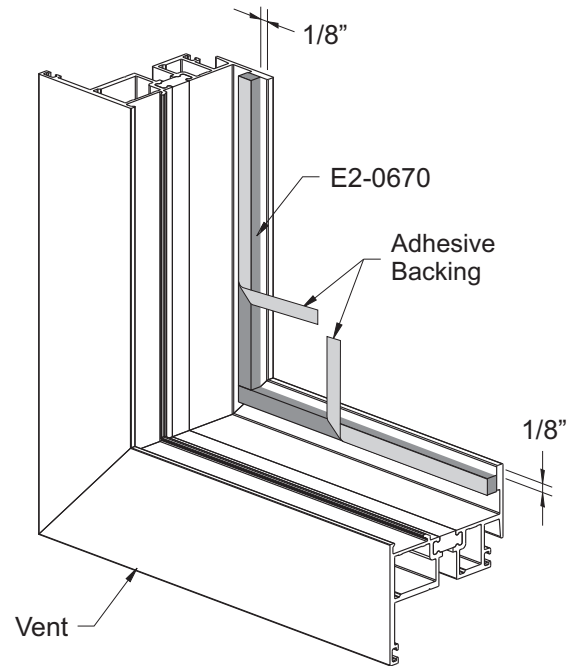


**DETAIL 7**

## GLAZING

### STEP 5C PREP PROJECTED WINDOWS

1. Verify that the frame and vent are properly aligned with a 1/8" margin around the entire perimeter of the vent.
2. Remove the glazing beads and clean the exterior glazing leg with an approved cleaning agent using the "two cloth" cleaning method.
3. Install exterior glazing tape, E2-0670, on all four sides:
  - Leave a 1/8" gap between the edge of the tape and the edge of the ventilator/frame.
  - Make certain that the corners of the tape do not overlap as this will prevent full contact around the perimeter of the glass.
4. Peel back the tape adhesive backing 3" to 4" at each corner and fold them towards the inside of the vent/window.

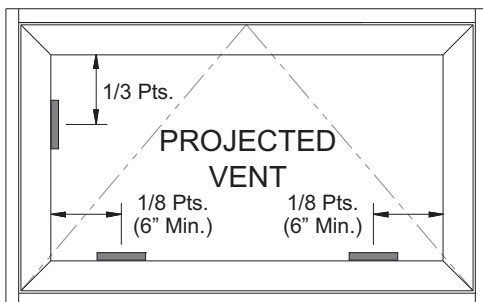


**DETAIL 8**

See **Detail 8**.

5. Install setting blocks at 1/8 points (6" min. from jambs) for vents and intermediate horizontal mullions.
6. Install (1) side block at 1/3 points for projected vents as shown.

See **Detail 9**.



**DETAIL 9**

Finish glazing in accordance with standard glazing instructions in **Steps 6 & 7 on Page 8 & 9**.

## VENT GLAZING

### STEP 6 INSTALL GLASS

1. Center the glass and carefully set the unit down onto the setting blocks.
2. From the exterior of the window gently pull the folded adhesive backing ends to remove it and adhere the glass to glazing tape.

See **Detail 10**.

### STEP 6A FOR WINDOW VENTS ONLY

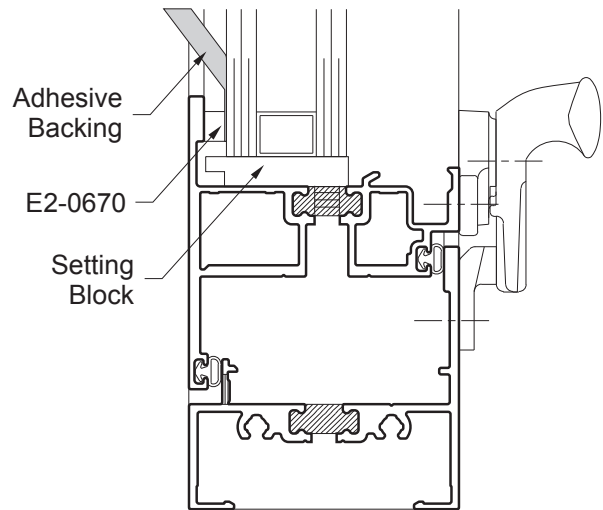
3. Press the glass firmly against the exterior glazing tape.
4. Cut interior preset gasket to the length of the glass stop.
5. Install the preset gasket by sliding it into the glass stops.
6. Snap in the interior glass stops into place, starting with the horizontals, then the verticals.

See **Detail 11**.

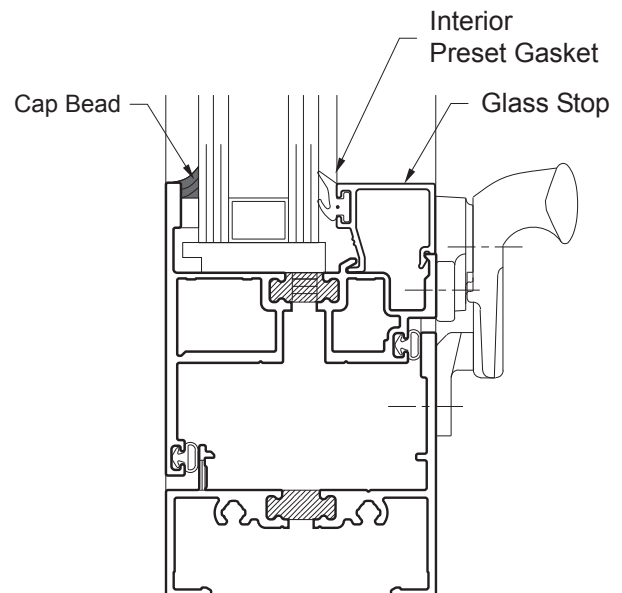
### STEP 6B FOR FIXED WINDOWS ONLY

3. Press glass firmly against the exterior glazing tape.
4. Install the interior glass stops.
5. Cut interior wedge gasket to the day light opening dimension plus 1/8" per foot of D.L.O.
6. Install the wedge gasket by first installing each end and then the center of the gasket; push in the remainder of the gasket working from the center toward each end.

See **Detail 12** on **Page 9**.



**DETAIL 10**



**DETAIL 11**

## FIXED GLAZING

### STEP 7

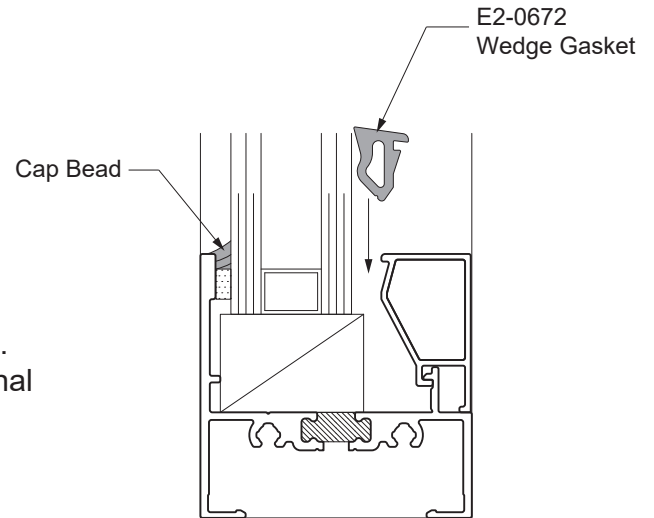
#### APPLY CAP BEAD

(For Fixed or Vent Glazing)

1. Apply Tremco Tremsil® 600 sealant or equal to the joint between the glass and glazing leg. When applying sealant vertically, start at the bottom and work your way up. Make sure the sealant completely fills the joint.
2. Using a non-scratching implement, tool the sealant immediately after running the bead. Exert positive pressure to ensure that the sealant makes complete contact with all surfaces. Cap bead should cover at least 50% of the external glazing leg.

Be careful not to remove too much sealant.

See **Details 11 & 12.**



**DETAIL 12**

## INSTALLATION OPTIONS

### STEP 8 (Optional)

#### INSTALL OPTIONAL STACKING MULLIONS / I-MULLION

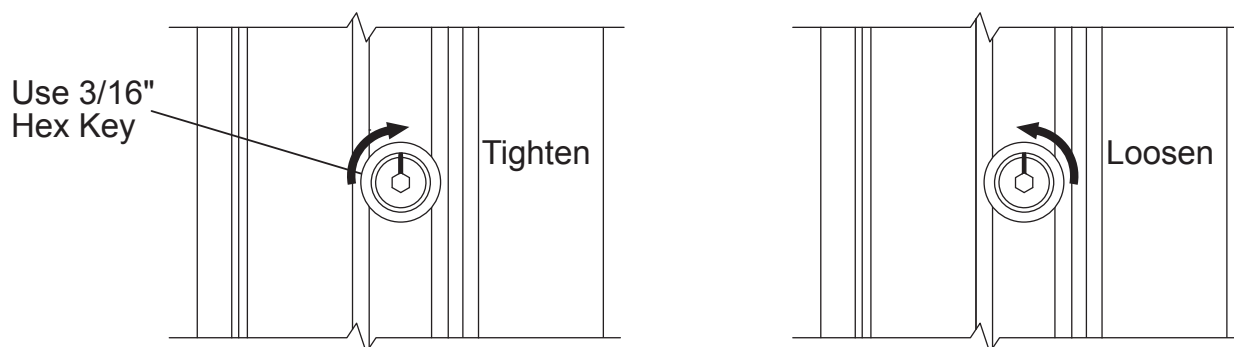
Refer to the **Window Accessories Installation Manual** for installation of optional stacking mullions or I-mullions.

**HARDWARE**

**STEP 9A  
MULTI-POINT LOCK ADJUSTMENT (FOR OUTSWING WINDOWS ONLY)**

Adjust flushness of window keepers as necessary.

1. Neutral as factory installed.  
See **Detail 13**.
2. Use 3/16" hex key to rotate lock point.
  - A. Turn clockwise to tighten seal.
  - B. Turn counter-clockwise to loosen seal.

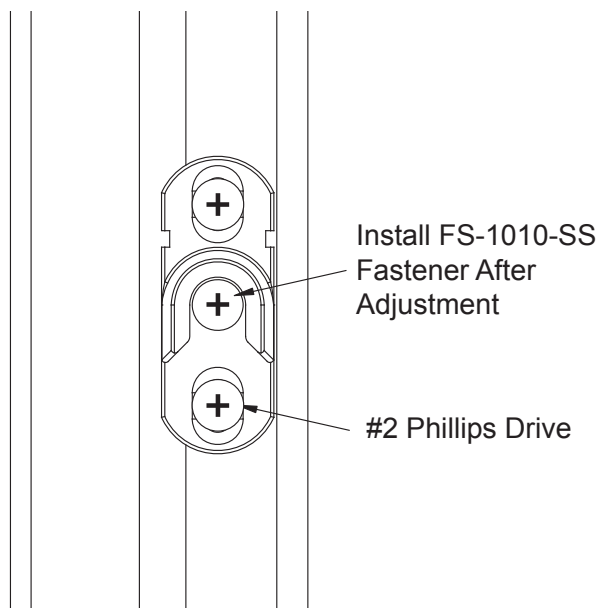


**DETAIL 13 – In/Out**

**STEP 9B  
KEEPER ADJUSTMENT**

Adjust left/right free swing clearance of window keepers as necessary.

1. Neutral as factory installed.  
See **Detail 14**.
2. Use #2 Phillips drive to lightly loosen fastener.
  - A. Slide keeper to allow 1/8" clearance from locking point.
  - B. Using #2 Phillips drive, tighten fastener.
  - C. After final adjustment install FS-1010-SS to lock keeper in place.



**DETAIL 14 – Left/Right**



ANCHORING PARTS LIST

PART	DETAIL	DESCRIPTION	MATERIAL
STRAP ANCHOR	E1-1760	4-1/2" length of BE9-4529, used at indicated locations to add strength at anchor points.	ALUMINUM
TWIST ANCHOR	E1-1970	Twist in anchor located as required. (Approved for up to Wind Zone 3 only)	GALVANIZED STEEL
FLAT ANCHOR	BE9-4566	Fame filler for head, jamb & sill. Use optional E3-0038 with Trim & Clip.	ALUMINUM
	E3-0038		PVC
1" x 1-1/4" TRIM & CLIP	E9-4556 E9-4557	Trim & clip anchor for head, jamb, & sill.	ALUMINUM
1" x 1-11/16" TRIM & CLIP	E9-8538 E9-8537	Trim & clip anchor for head, jamb, & sill.	ALUMINUM
1" x 2" TRIM & CLIP	E9-4032 E9-4031	Trim & clip anchor for head, jamb, & sill.	ALUMINUM
1-1/8" x 3-1/2" TRIM & CLIP	E9-8563 E9-8562	Trim & clip anchor for head, jamb, & sill.	ALUMINUM
ANCHOR CLIP	E9-4035 E1-1922	2" long edge clip with trim cover for head, jamb, & sill.	ALUMINUM
HEAD/JAMB RECEPTOR	BE9-4577  E9-4578	Head or Jamb Receptor. Used with E2-0051 bulb gasket.	ALUMINUM
SILL FLASHING	BE9-4576	Sill flashing used with E2-0367 spacer. Optional sill extensions also available.	ALUMINUM

## YOW 225 TU HARDWARE GUIDE

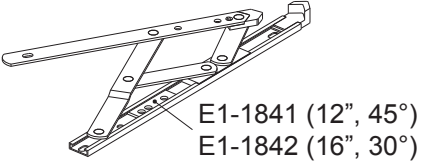
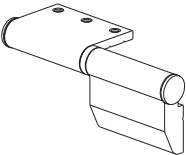
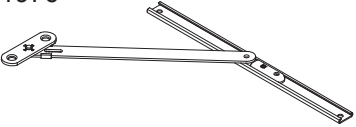
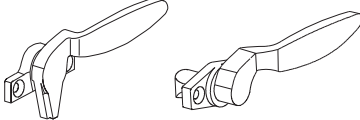

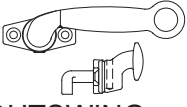
	DESCRIPTION	CASEMENT OUT	CASEMENT IN	PROJECT OUT	PROJECT IN
LOCKING HARDWARE	CAM HANDLES	STANDARD	STANDARD	STANDARD	STANDARD
	CUSTODIAL CAM LOCK (HEX KEY)	OPTIONAL	OPTIONAL	OPTIONAL	OPTIONAL
	MULTI-LOCK HANDLE	OPTIONAL	OPTIONAL	OPTIONAL	
	CUSTODIAL MULTI-LOCK (HEX KEY)	OPTIONAL	OPTIONAL	OPTIONAL	
	POLE RING LOCKS	OPTIONAL	OPTIONAL	OPTIONAL	OPTIONAL
HINGE & LIMIT STOP HARDWARE	4 BAR HINGES	STANDARD	STANDARD	STANDARD	STANDARD
	BUTT HINGES	OPTIONAL	OPTIONAL		
	FRICTION ADJUSTERS	STANDARD W/ BUTT HINGES	STANDARD W/ BUTT HINGES		
	ROTO-OPERATOR	OPTIONAL W/ BUTT HINGES		OPTIONAL	
	4-BAR EGRESS HINGES	OPTIONAL			
	SUPPORT ARM			OPTIONAL	
	LIMIT STOP IN 4-BAR HINGE ONLY	OPTIONAL	OPTIONAL	OPTIONAL	OPTIONAL
	KEYED LIMIT DEVICE	OPTIONAL	OPTIONAL	OPTIONAL	OPTIONAL
	4" LIMIT DEVICE (APPROVED FOR NEW YORK CITY)	OPTIONAL		OPTIONAL	
	SCREENS	OPTIONAL	OPTIONAL	OPTIONAL	OPTIONAL

YOW 225 TU ACCESSIBLE WINDOW HARDWARE GUIDE

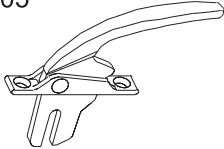
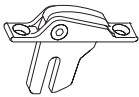
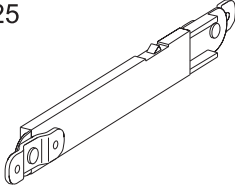
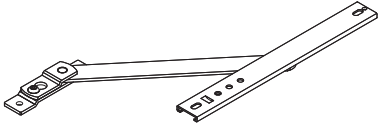
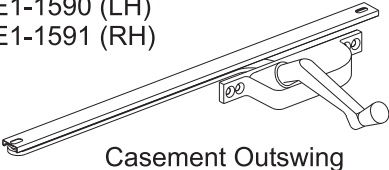
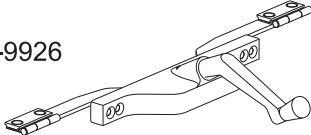
	DESCRIPTION	CASEMENT IN 4-BAR HINGE	CASEMENT IN BUTT HINGE	CASEMENT OUT 4-BAR HINGE	CASEMENT OUT BUTT HINGE	PROJECT OUT
<b>LOCKING HARDWARE</b>	FMPL W/ STANDARD 4" HANDLE			STANDARD	STANDARD	STANDARD
	FMPL W/ EXTENDED 8" HANDLE			OPTIONAL	OPTIONAL	OPTIONAL
	VMPL W/ EXTENDED HANDLE	STANDARD	STANDARD			
	LOCK BAR BASE	STANDARD	STANDARD	STANDARD	STANDARD	STANDARD
	LOCK BAR EXTENSION	STANDARD	STANDARD	STANDARD	STANDARD	STANDARD
	KEEPER	STANDARD	STANDARD	STANDARD	STANDARD	STANDARD
<b>HINGE &amp; LIMIT STOP HARDWARE</b>	SINGLE ARM OPERATOR			STANDARD	STANDARD	
	DUAL ARM OPERATOR					STANDARD
	LARGE HANDLE CRANK			STANDARD	STANDARD	STANDARD
	LOOSE RIVET 4-BAR HINGE					STANDARD
	12" 4-BAR HINGE	STANDARD		STANDARD		
	BUTT HINGE		STANDARD		STANDARD	
	NYC FALL PREVENTION LIMIT DEVICE *	OPTIONAL	OPTIONAL		OPTIONAL	OPTIONAL
	GUIDE ROLLER	STANDARD		STANDARD		
	SCREENS	OPTIONAL	OPTIONAL	OPTIONAL	OPTIONAL	OPTIONAL

\* Refer to Tech Drawings for more information.

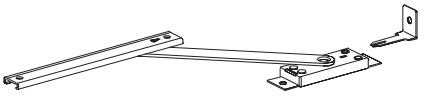
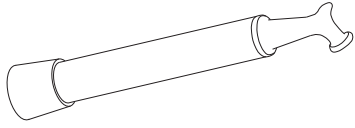
## HARDWARE

PART	DETAIL	DESCRIPTION	MATERIAL
4-BAR HINGES & LIMIT STOPS	4K-14207 (12") 4K-14208 (16", Casement Only) 5K-15284 (16", Project Out Only) E1-1957 (12" Egress, Casement Out Only)  E1-1841 (12", 45°) E1-1842 (16", 30°)	4-bar hinges allow for efficient and durable operation of projected and casement vents.  Limit stops allow vents to be opened to a preset maximum opening.	STAINLESS STEEL
BUTT HINGES	E1-1714 (LH) E1-1715 (RH) 	Butt hinges are optional on casement outswing and inswing vents.	ALUMINUM
FRICTION ADJUSTER (STANDARD)	E1-1976 	Friction adjuster standard on all butt hinge casement windows	STAINLESS STEEL
CAM HANDLES	E1-1541(RH)      E1-1503(LH) E1-1542(LH)      E1-1504(RH) 	White bronze cam handles for manual operation of vents. E1-1541/E1-1542 are standard on outswings; E1-1503/E1-1504 are standard on inswings.	WHITE BRONZE
CUSTODIAL CAM LOCKS (OPTIONAL)	E1-1596      E1-1517 	Custodial locks are offered for maintenance operation. These type of locks are used in place of cam handles.	WHITE BRONZE
POLE RING CAM HANDLE (OPTIONAL)	E1-1853 (LH) — INSWING E1-1854 (RH) — E1-1882 (LH) — E1-1881 (RH) — OUTSWING 	Pole ring handles are offered for windows inaccessible through normal means.	WHITE BRONZE

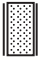





## HARDWARE

PART	DETAIL	DESCRIPTION	MATERIAL
MULTI-LOCK HANDLE	E1-1505 	Multi-Lock handles are used to secure casement inswing and outswing vents.	WHITE BRONZE
CUSTODIAL MULTI-LOCK (OPTIONAL)	E1-1655 	Custodial locks are offered for maintenance operation. These type of locks are used in place of multi-lock handles.	WHITE BRONZE
SUPPORT ARMS (OPTIONAL)	E1-1725 	Support arms hold projected outswing vents in the open position. (Optional)	STAINLESS STEEL
4" LIMIT DEVICE (OPTIONAL, APPROVED FOR NEW YORK CITY)	E1-1904 	Keyed limit device meeting the fall prevention requirements and approved for New York City.  (Note: this hardware may be used in locations outside New York City.)	STAINLESS STEEL
ROTO-OPERATORS (OPTIONAL)	E1-1590 (LH) E1-1591 (RH)  Casement Outswing  E1-9926  Project Out	Casement out roto-operators include E1-1592 (track), E1-1599 (handle), & E2-0656 (gasket)  Roto-operators are available as an option to operate casement outswing and project out vents.  Project out roto-operators include E1-9931 (track), E1-9932 (handle), & E2-9912 (gasket)	WHITE BRONZE

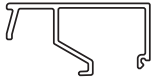

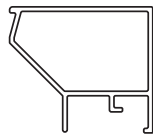

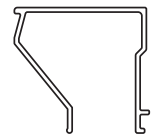


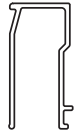
**HARDWARE**

PART	DETAIL	DESCRIPTION	MATERIAL
KEYED LIMIT DEVICE (OPTIONAL)	<p>E1-1572</p> 	<p>Permits the window to be opened a maximum of 6" and return to the closed position without the use of a special tool or key. For maintenance or washing, key releases the window from the limit arm for reversal. When reversed, the window can be washed from the interior. Re-closing of window and re-engagement of limit arm is accomplished without key.</p>	STAINLESS STEEL
PULL RING POLE ASSEMBLY (OPTIONAL)	<p>E1-9930</p> 	<p>White bronze pull ring pole operates the pole ring cam handle. Available in lengths of 4', 6', and 8'.</p>	WHITE BRONZE

**GLAZING CHART**

GLASS/PANEL DEPTH	EXTERIOR		INTERIOR	
	F.C.	BACKER TAPE	F.C.	GASKET
1/4"	1/8"	E2-0670 	1/4"	E2-0672 
1" FIXED	1/8"	E2-0670 	1/4"	E2-0672 
1" @ VENTS	1/8"	E2-0670 	1/4"	E2-0050 

**GLASS STOPS**

1/4" GLAZING		1" GLAZING	
PART NUMBER	DETAIL	PART NUMBER	DETAIL
E9-4521	 For All Vents	E9-4506	 For Fixed Glass
E9-4522	 For Fixed Glass	E9-5218	 For All Vents
E9-4523	 For Fixed Glass (Combination Window)	E9-5219	 For Casement Outswing Vent with Multi-Point Lock
		E9-4507	 For Fixed Glass (Combination Window)
		E9-4508	 For Fixed Glass (Combination Window)

 **YKK AP America Inc.**

270 Riverside Parkway  
Suite 100  
Austell, Georgia 30168  
[www.ykkap.com](http://www.ykkap.com)