

YHW 60 TU Window Wall Installation Manual - Preglazed

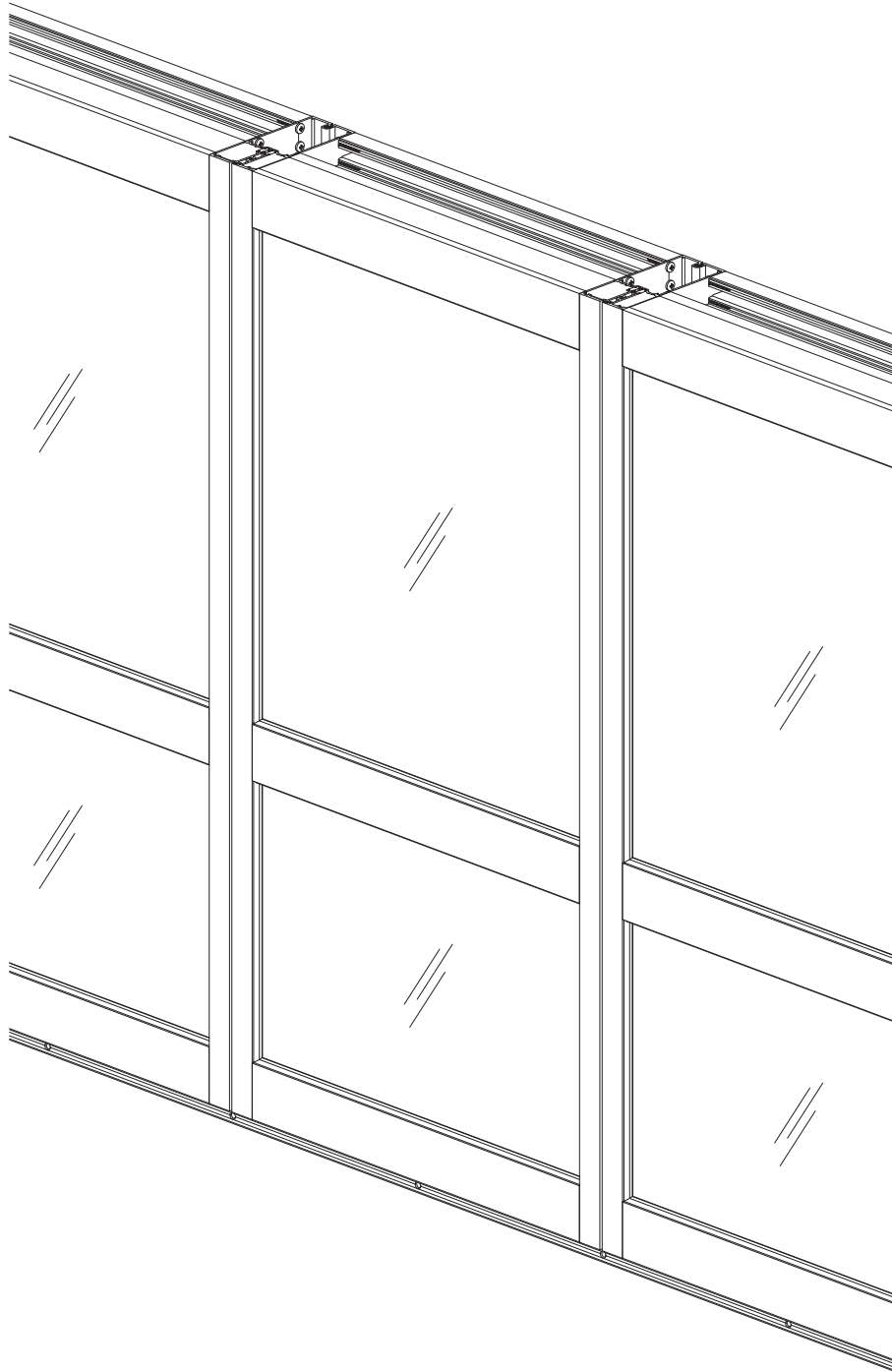








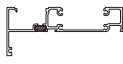

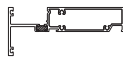

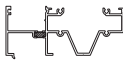



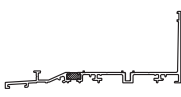
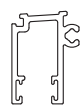
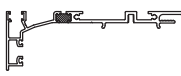


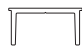

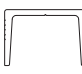


TABLE OF CONTENTS

Installation Notes	Page ii
PARTS DESCRIPTION	
Framing Members	Pages 1 & 2
Accessories	Pages 3 & 4
FRAME FABRICATION	
Determine Frame Size.....	Pages 5 & 6
Fabricate Vertical Members.....	Pages 7 & 8
Fabricate Horizontals.....	Pages 9 & 10
Fabricate Glass Stops	Page 11
Fabricate Sill Flashing	Pages 12 & 13
Fabricate Corner Covers	Page 13
Fabricate Head Receptors.....	Page 14
FRAME ASSEMBLY	
Assemble Frame	Pages 15 to 18
Secure Unit Frame	Page 19
Install Steel Reinforcing (Optional).....	Page 20
Install Perimeter Fillers	Page 21
Install Foam Plugs at Head	Page 22
Install Weather Seal	Page 23
Install Water Deflector	Page 24
GLAZING	
Install Exterior Glazing Gaskets	Pages 25 & 26
Install Setting / Side Blocks	Page 27
Install Glass	Pages 28 & 29
Install Anti-Walk Blocks (Dry Glazing Only)	Page 30
Install Glass Stops.....	Page 31
Install Interior Spacers.....	Pages 32 to 34
Apply Sealant (Wet Glazing)	Page 35
FRAME INSTALLATION	
Install Sill Flashing End Dams.....	Page 36 & 37
Install BE9-2929 Sill Flashing.....	Page 38
Install Flashing Splice Sleeve.....	Pages 38 & 39
Install Slab Edge Covers	Pages 40 to 49
Sill Preparation	Pages 50 to 51
Install Frames	Pages 52 to 55
Apply Perimeter Sealant.....	Pages 56 to 58
Install Interior Covers.....	Page 59






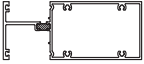

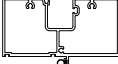


Installation Notes

1. Do not drop, roll or drag boxes of aluminum framing. Move and stack boxes with proper support to prevent distortion. If fork lifts are used, be especially careful about striking the boxes when lifting or moving.
2. Store in a dry, out of the way area. If rain exposure, condensation or any water contact is likely, then all packaging material should be removed. Wet packaging materials will discolor and may stain aluminum finishes and paints.
3. All materials should be checked for quality and quantity upon receipt, YKK AP must be notified immediately of any discrepancies in shipment. Check to make sure that you have the required shims, sealants, supplies and tools necessary for the installation.
4. Carefully check the openings and surrounding conditions that will receive your material. Remember, if the construction is not per the construction documents, it is your responsibility to notify the general contractor in writing. Any discrepancies must be brought to the general contractor's attention before you proceed with the installation.
5. Gather your shop drawings, materials, packing list, and this installation manual. Carefully review parts location, the sequence it goes therein, when you glaze it and how you seal it. Installation instructions are of a general nature and may not cover every condition you will encounter. The shop drawings and/or installation manuals were prepared specifically for the product.
6. Any material substitutions must be of equal or greater quality.
7. Make certain that material samples have been sent for compatibility testing for all manufacturer's sealants involved. Make certain sealants have been installed in strict accordance with the manufacturer's recommendations and specifications.
8. Remember to isolate, in an approved manner, all aluminum from uncured masonry or other incompatible materials.
9. System-to-structure fasteners are not supplied by YKK AP. Fasteners called out on shop drawings are to indicate minimum sizes for design loading.
10. If any questions arise concerning YKK AP products or their installation, contact YKK AP for clarification before proceeding.
11. YKK AP storefront and/or curtain wall framing is typically completed before drywall, flooring and other products which may still be in process. Take the extra time to wrap and protect the work produced.
12. Cutting tolerances are plus zero, minus one thirty second unless otherwise noted.
13. Check our website, www.ykkap.com, for the latest installation manual update prior to commencing work.


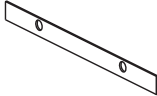

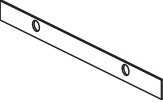

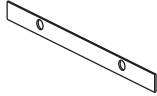
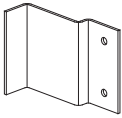
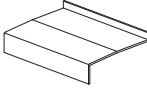
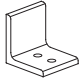
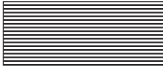
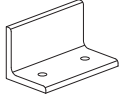

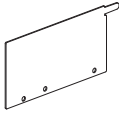





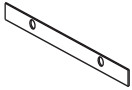

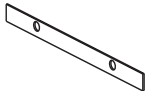

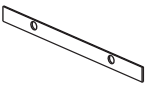

FRAMING MEMBERS

	Male Mullion	BE9-2723		Corner Mullion Half	BE9-2736
	Female Mullion	BE9-2724		90° Corner Cover (Large)	E9-2740
	Jamb 2-1/2" x 6"	BE9-2725		90° Corner Cover (Small)	E9-2741
	Head 2-1/2" x 6"	BE9-2726		135° Corner Cover (Large)	E9-2742
	Horizontal 2-1/2" x 6"	BE9-2727		135° Corner Cover (Small)	E9-2743
	Sill 2-1/2" x 6"	BE9-2728		Glass Stop	E9-2730
	Sill Flashing	BE9-2729		Receptor Snap Cover Used with BE9-2739	E9-8720
	Sill Flashing For Slab Edge Cover	BE9-2735		Aluminum Plate Adaptor For BE9-2735	E9-8222
	Head Receptor	BE9-2739		Interior Cover	E9-2731
	Flat Filler	BE9-2734		Anchor For Impact Glazing	E9-2732
	Heavy Duty Male Mullion	BE9-2737		Receptor Anchor For Impact Glazing at Slab Edge	E9-2744
	Heavy Duty Jamb Mullion	BE9-2738		Strap Anchor	E9-2733





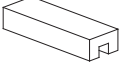
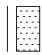

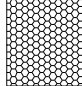
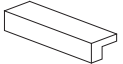




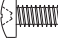





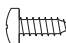




FRAMING MEMBERS

 <p>Flush Filler For Sill</p>	<p>E9-2293</p>	 <p>8" Slab Edge Cover For Use with 7" Slab</p>	<p>E9-8589</p>
 <p>6-1/8" Slab Edge Cover For Use with 5-1/8" Slab</p>	<p>E9-8059</p>	 <p>9" Slab Edge Cover For Use with 8" Slab</p>	<p>E9-8428</p>
 <p>6-5/8" Slab Edge Cover For Use with 5-5/8" Slab</p>	<p>E9-7723</p>	 <p>Mullion / Door Transom Bar</p>	<p>BE9-2745</p>
 <p>7-3/8" Slab Edge Cover For Use with 6-3/8" Slab</p>	<p>E9-8223</p>	 <p>5" x 2-1/2" Door Head O/P</p>	<p>AS-0501</p>
 <p>7-7/8" Slab Edge Cover For Use with 6-7/8" Slab</p>	<p>E9-8231</p>	 <p>Door Jamb Subframe</p>	<p>AS-3180</p>

ACCESSORIES

	Anchor 10" Cut Length, for Non-Impact Glazing	E1-1190		End Cap For E9-8231 Slab Edge Cover Plate	E1-9954
	Head Receptor Anchor 18" Cut Length, for Non-Impact Glazing at Slab Edge	E1-1193		End Cap For E9-8589 Slab Edge Cover Plate	E1-9955
	Jamb Strap Anchor 10" Cut Length, used with BE9-2738	E1-1191		End Cap For E9-8428 Slab Edge Cover Plate	E1-9956
	Jamb Strap Anchor 4" Cut Length, used with BE9-2725	E1-1192		Splice Sleeve For Sill Flashing at Slab Edge	E1-9959
	Door Jamb Mullion Anchor (1-7/8")	E1-1195		Silicone Splice Sleeve	E2-0070
	Door Jamb Anchor (3-5/8")	E1-1199		Flat Filler PVC	E3-0023
	End Dam For Sill Flashing	E1-1198		PVC Perimeter Filler	E3-3664
	End Cap For Head Receptor	E1-1197		Head Receptor Gasket	E2-0097
	End Cap For Slab Edge Sill Flashing Adaptor	E1-1196		Airtight Gasket	E2-0051
	End Cap For E9-8059 Slab Edge Cover Plate	E1-9984		Weather Seal Gasket For Mullion Halves	E2-7010
	End Cap For E9-7723 Slab Edge Cover Plate	E1-9985		Weathering Gasket For Slab Edge Cover	E2-0065
	End Cap For E9-8223 Slab Edge Cover Plate	E1-9953		Anti-Walk Block For Male Mullion	E2-0153

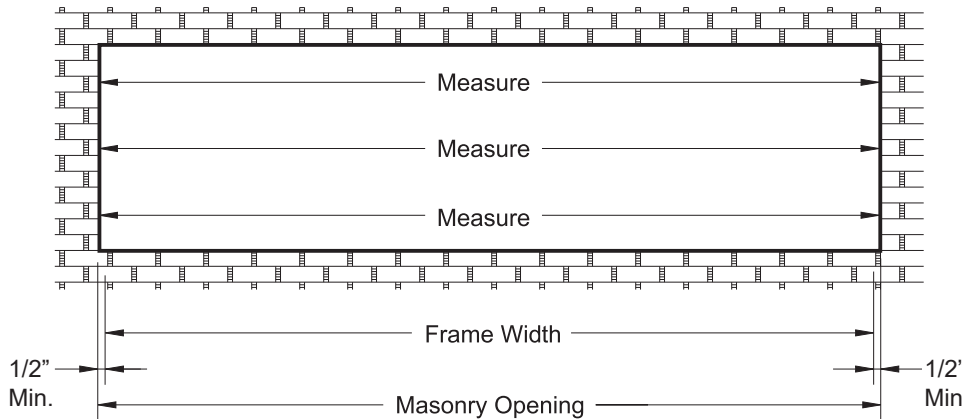
ACCESSORIES

	Anti-Walk Block For Jamb	E2-0519		Wedge Gasket 1/4" F.C.	E2-0802
	Side Block	E2-0096		Dart Gasket For Large Missile Wet Glazing	E2-9801
	Setting Block	E2-0095		Isolator Tape	E2-0256
	Setting Block	E2-0168		Weep Baffle	E2-0099
	Setting Block For Dry Glazed Units	E2-0660		Drill Fixture	H-7265
	Water Deflector	E2-0049		#10" x 3/8" PHMS Stainless Steel, For Corner Cover Attachment	PM-1006 -SS
	Push-in Spacer 1/4" F.C.	E2-0359		1/4" x 1/2" PHMS Stainless Steel, For Anchoring Sill to Sill Flashing	PM-2508 -SS
	Foam Backer Tape 1" x 1-1/4" (Roll)	E2-0259		#12 x 3/4" UFHMS Type A , Zinc Plated Steel, For End Dam Attachment	UA-1212
	1/4" x 1/4" Spacer Tape	E2-0110		#12 x 1" FHSMS Type AB , Used with E1-1192 Strap Anchor	FC-1216
	Exterior Dart Gasket for 1-1/4" GL.	E2-0139		#12 x 5/8" PHMS Type AB , Zinc Plated Steel	PC-1210
	Exterior Dart Gasket for 1-3/16" GL.	E2-0128		#12 x 1-1/4" PHMS Type AB , Zinc Plated Steel	PC-1220
	Dart Gasket 1/4" F.C.	E2-0801		#12 x 1-1/2" PHMS Type AB , Zinc Plated Steel	PC-1224

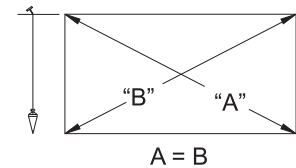
FRAME FABRICATION

STEP 1 DETERMINE FRAME SIZE

Determine Frame Width:



Note: Check opening for squareness of plumb at both ends, units must be installed in a true rectangle.

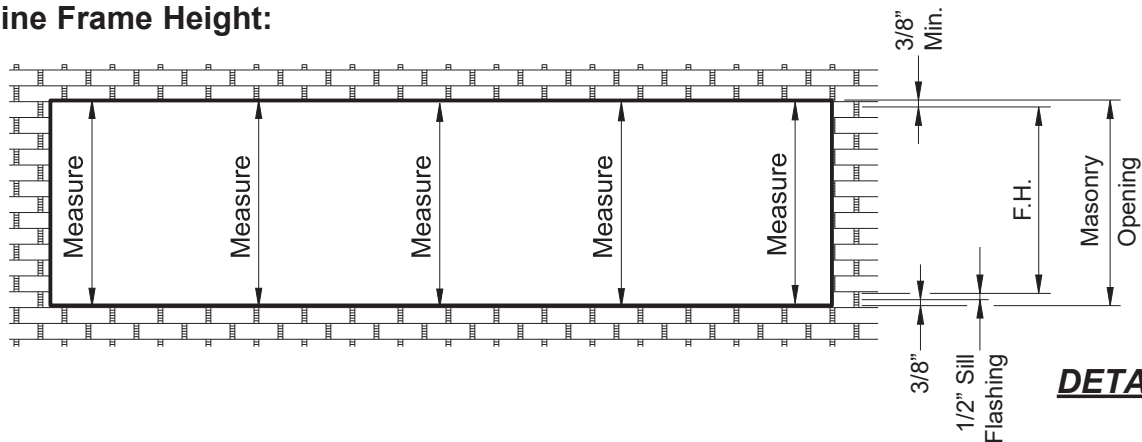


DETAIL 1

- Measure the width of the masonry opening at the top, middle, and bottom.
 - Select the smallest dimension measured and subtract 1" to determine the frame width.
- See **Detail 1**.

Note: For additional possibilities such as slab edge cover application, it is recommended to increase the caulk joint at the jambs to facilitate installation of the last framed unit. (Unit width will proportionally affect caulk joint width.)

Determine Frame Height:



DETAIL 2

- Measure the height of the masonry opening several times along the entire length of opening.
- Select the smallest dimension measured and subtract 1-1/4" to determine the frame height to be used.

Minimum of 3/8" shim/caulk joint at the head.

1/2" for the sill flashing.

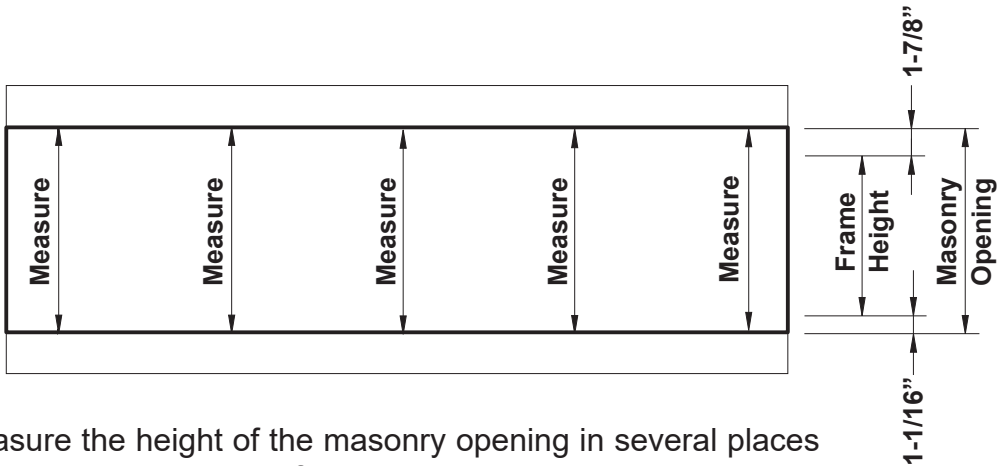
Minimum 3/8" shim/caulk joint below the sill flashing.

See **Detail 2**.

FRAME FABRICATION

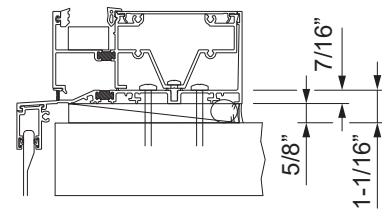
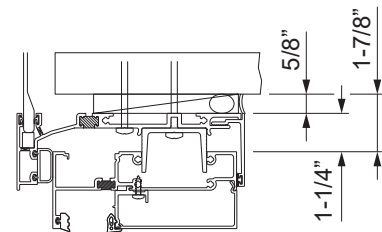
STEP 1 (Continued)
DETERMINE FRAME SIZE

Determine Frame Height for Slab Edge Conditions:



- Measure the height of the masonry opening in several places along the entire length of the opening.
- Select the smallest dimension measured and subtract 2-15/16" to determine the frame height to be used:
 - 5/8" for the shim/caulk joint at the head.
 - 1-1/4" for the head receptor.
 - 7/16" for the sill flashing.
 - 5/8" for the shim/caulk joint below the sill flashing.

Detail 3



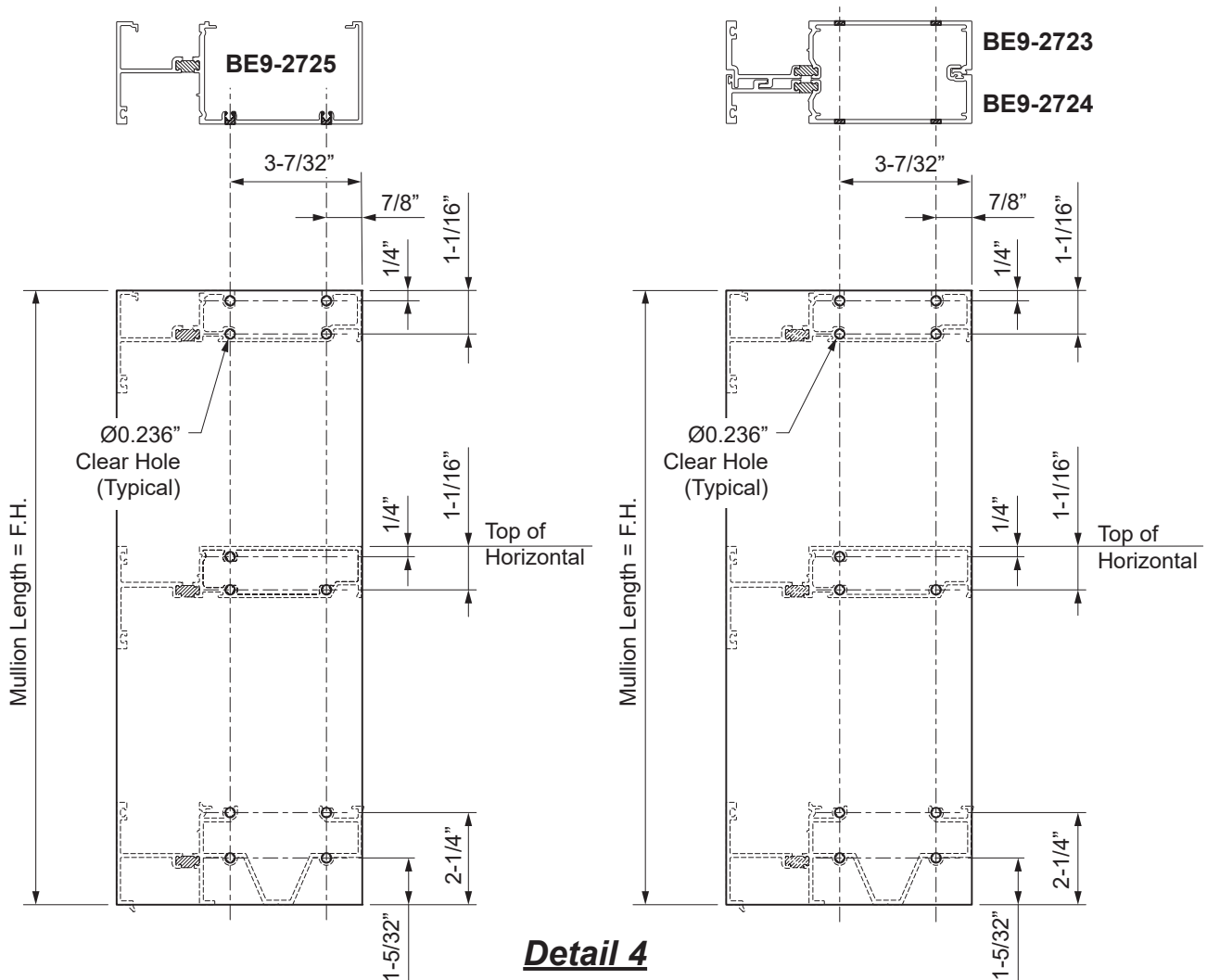
See **Detail 3**.

FRAME FABRICATION

STEP 2 FABRICATE VERTICAL MEMBERS

- Cut all jamb and two piece vertical members to the frame height determined in **Step 1**.
- Fabricate holes in the vertical members for screw spline attachment using one of the methods below:
 - Using short pieces of horizontal members as a template, line up the glazing pockets and mark hole locations through the screw splines of the templates.
 - OR**
 - Layout hole locations on vertical members as shown in **Detail 4**.
- Drill 0.236" diameter (#B drill bit) holes at each location marked.

Note: Additional fabrication will be required for the inclusion of steel reinforcing. Drill fixture plate can be used.



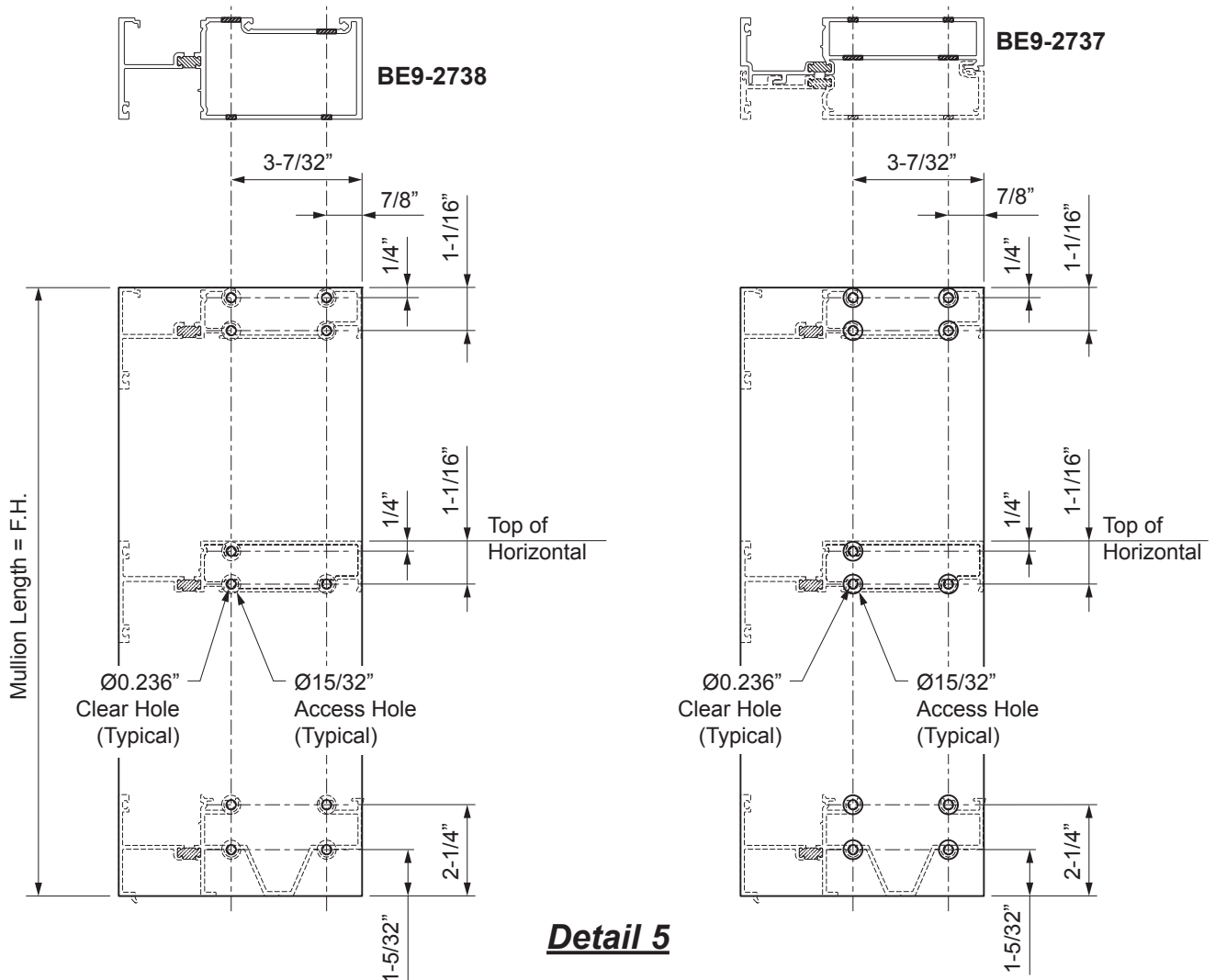
Detail 4

FRAME FABRICATION

**STEP 2 (Continued)
FABRICATE VERTICAL MEMBERS**

-For hollow, heavy duty vertical members, fabricate access holes in addition to the clear holes according to the methods previously shown and in **Detail 5**.

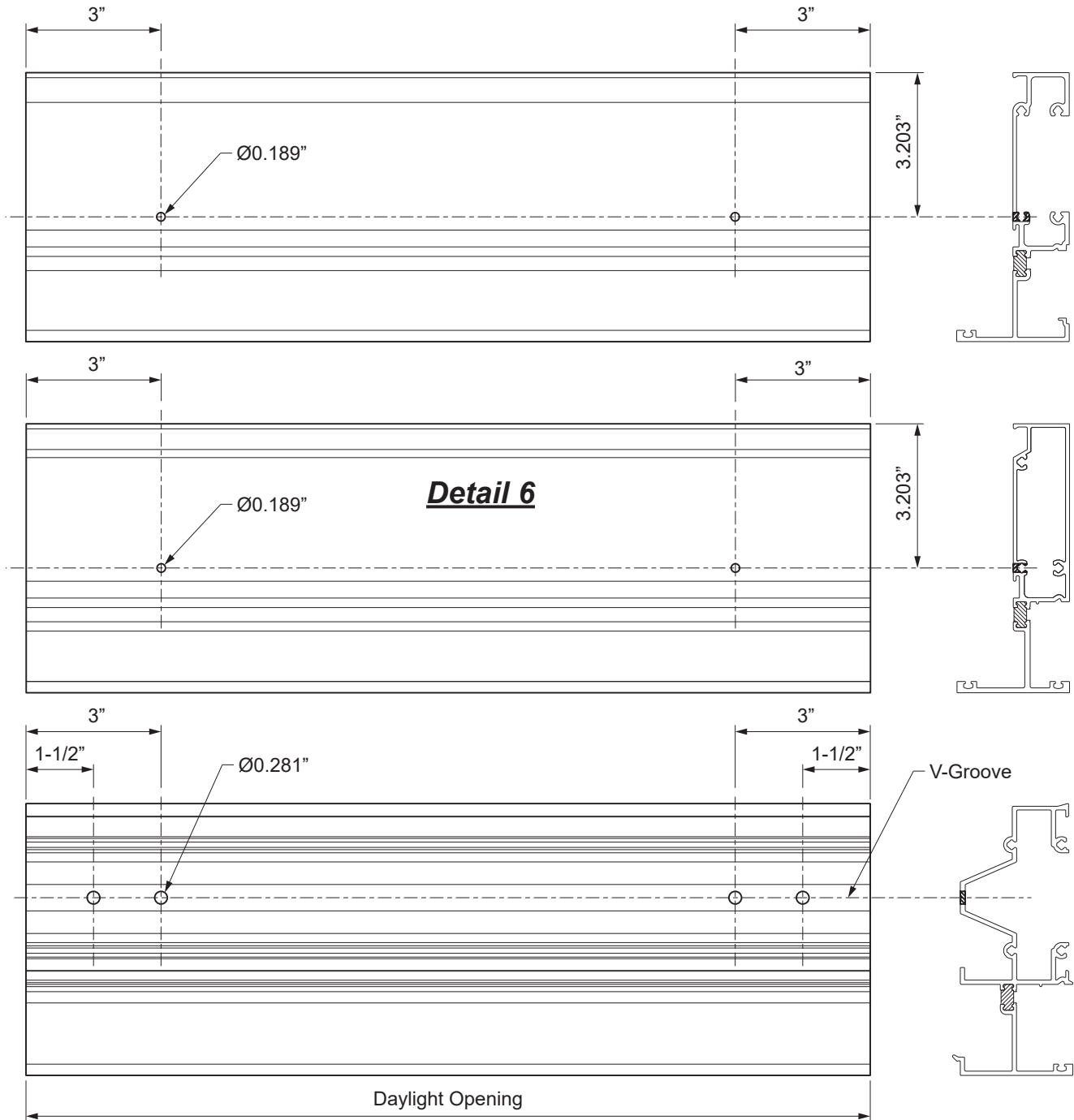
Note: Additional fabrication will be required for the inclusion of steel reinforcing.



FRAME FABRICATION

STEP 3
FABRICATE HORIZONTALS

- Cut all head members, immediate horizontals, and sill members to the horizontal daylight opening.
- Head and intermediate horizontal members will require 0.189" diameter holes for the glass stops, at 3" from the ends, as shown in **Detail 6**.
- Sill members will require additional 0.281" diameter clear holes at 1-1/2" and 3" from the ends, centered along the v-groove as shown in **Detail 6**.



FRAME FABRICATION

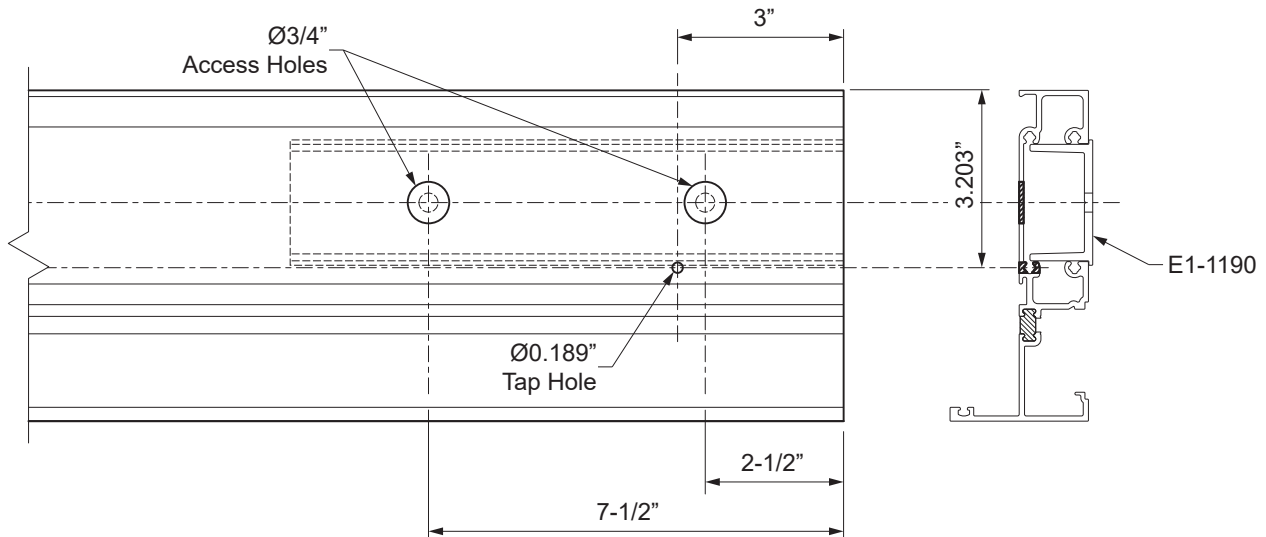
**STEP 3 (Continued)
FABRICATE HORIZONTALS**

When the head is anchored to the substrate with the E1-1190 anchor, access holes will need to be drilled into the head member.

- Temporarily clamp the E1-1190 anchor onto the head where it will be in relation to the head member once anchored to the substrate.
- Drill 5/16" diameter holes into the head in line with the holes in the anchor. Unclamp the anchor. Then drill the access holes out to 3/4" diameter.

Notes: This is in addition to the 0.189" diameter tap holes for the glass stop. Refer to FPA drawings or shop drawings for appropriate fastener and hole locations as determined by a qualified engineer or contact YKK AP.

See **Detail 7**.



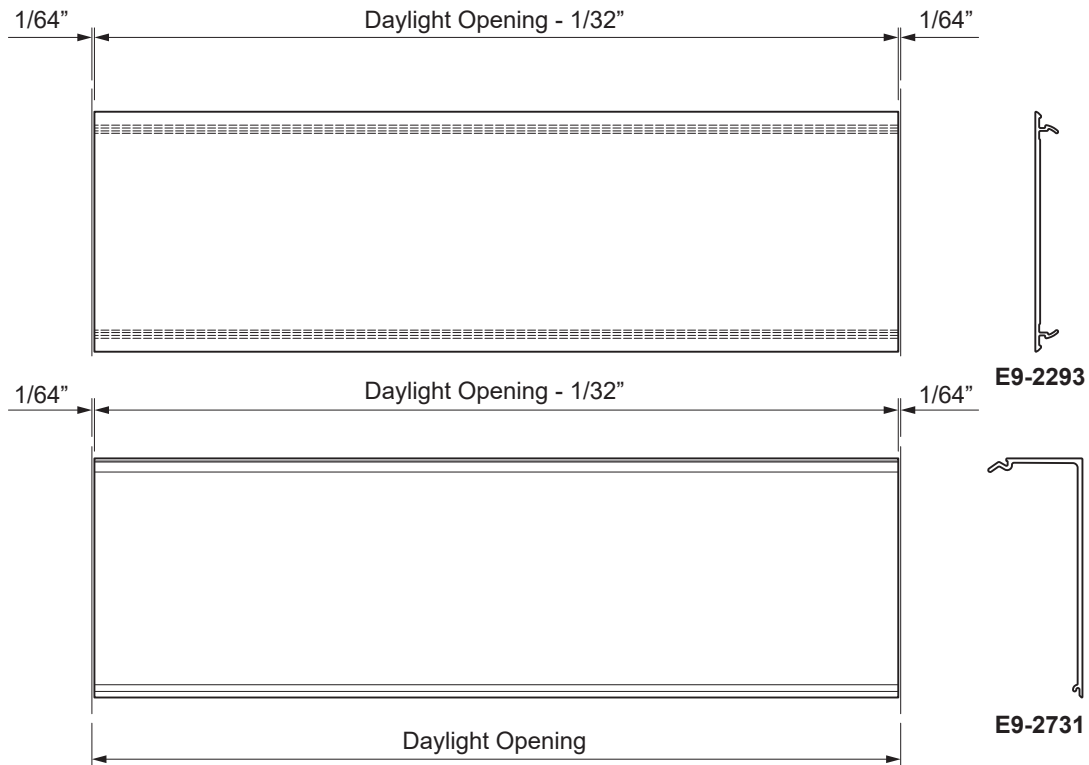
Detail 7

FRAME FABRICATION

STEP 4
FABRICATE FILLERS & GLASS STOPS

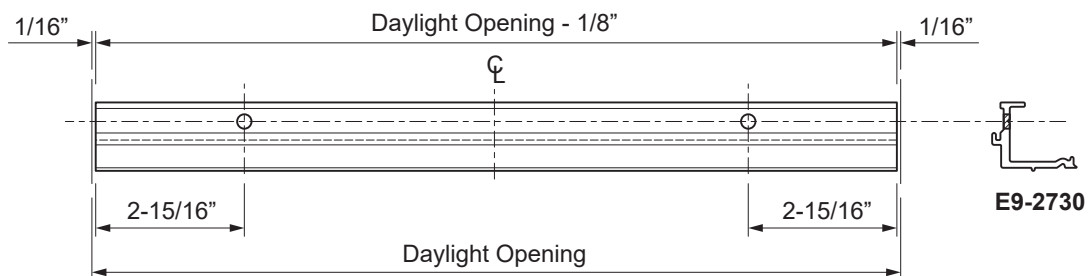
- Cut all vertical perimeter flush or flat fillers to the length of the jambs, except where strap anchors would interfere with the jamb filler.
- Cut all horizontal flush fillers, flat fillers, and E9-2731 interior covers to horizontal daylight opening minus(-) 1/32".

See **Detail 8**.



Detail 8

- Cut E9-2730 glass stops to horizontal daylight opening minus(-) 1/8". Drill two 0.236" diameter clear holes along the v-groove in the glass stop as shown in **Detail 9**.
- Add a third hole at centerline for glass stops over 48" in length.



Detail 9

FRAME FABRICATION

**STEP 5
FABRICATE SILL FLASHING**

-Cut the sill flashing to the Frame Width plus(+) 5/16" at each jamb.

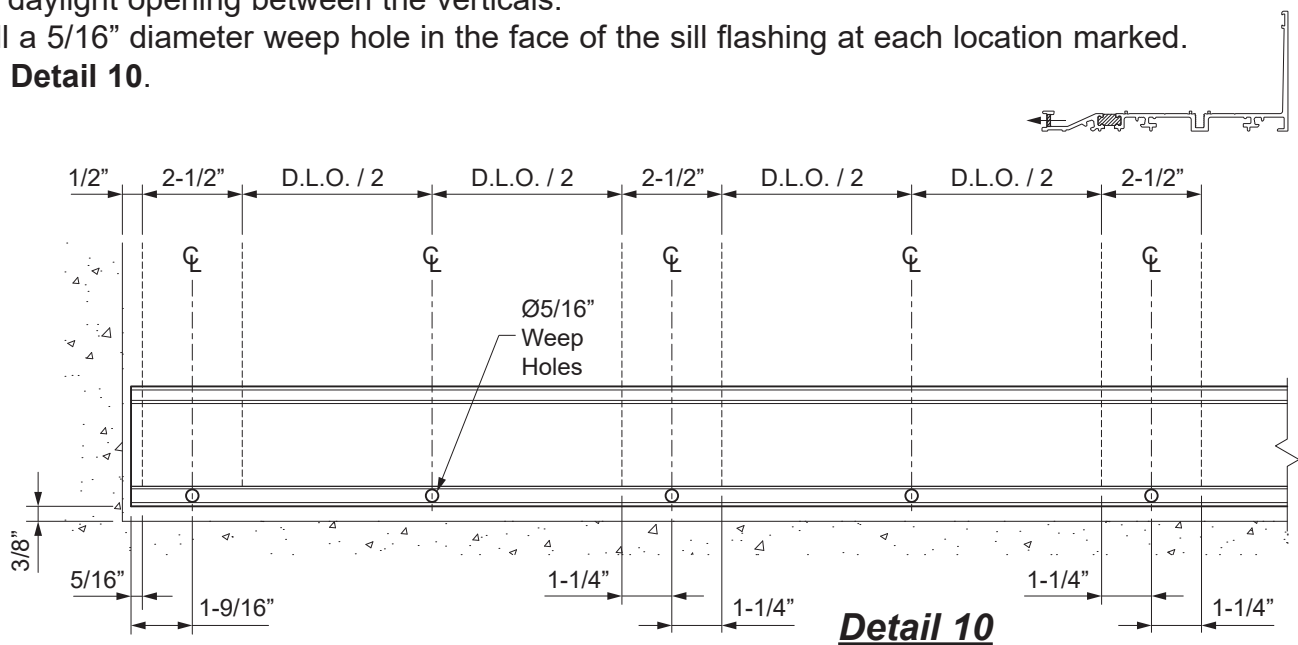
Note: For additional possibilities such as slab edge cover application, it is recommended to provide additional space between the edge of the sill flashing and the jamb substrate.

-For frame openings longer than 24'-0", allow for a 3/8" splice joint between sill flashing members every twelve to fifteen feet at the center of a daylight opening (best location next to the door jamb.)

-Mark the front face of the sill flashing at the center of each vertical location and the midpoint of the daylight opening between the verticals.

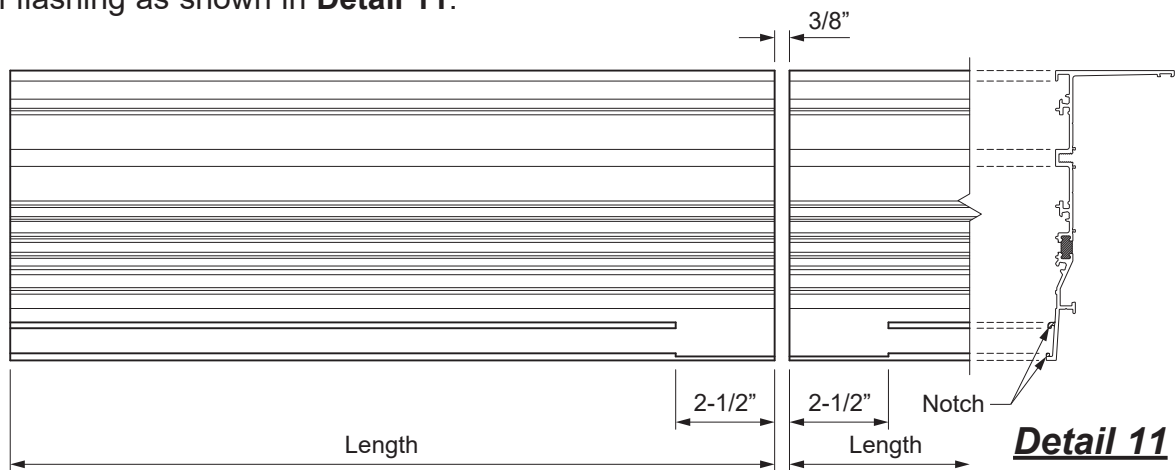
-Drill a 5/16" diameter weep hole in the face of the sill flashing at each location marked.

See **Detail 10**.



Additional fabrication will be required for BE9-2735 sill flashings used at slab edge covers if splices are needed.

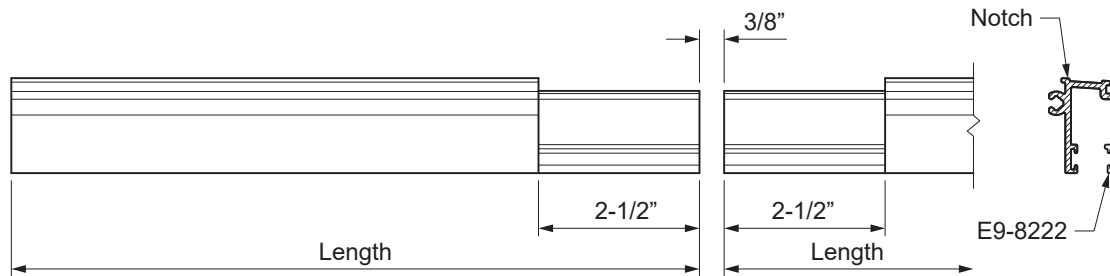
-Notch the sill flashing as shown in **Detail 11**.



FRAME FABRICATION

**STEP 5A
FABRICATE SLAB EDGE PLATE ADAPTOR**

- Cut the aluminum plate adaptor E9-8222 to the same length as the sill flashing.
- Notch the aluminum plate adaptor 2-1/2" from each end at each splice joint location as shown in **Detail 12**.
- Cut slab edge cover plates to length as indicated on the approved shop drawings

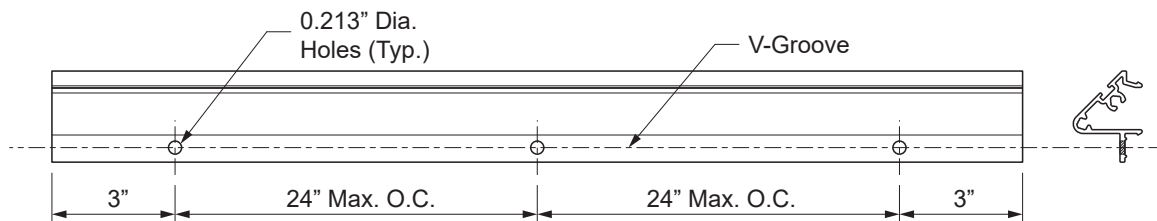


Detail 12

**STEP 6
FABRICATE CORNER COVERS**

- Cut the corner cover components to the mullion length. Drill 0.213" diameter holes into the cover at the v-groove where the cover will be fastened to the mullion at 3" from each end and at 24" maximum on center.

See **Detail 13**.



Detail 13
E9-2741 Shown,
Others Similar

FRAME FABRICATION

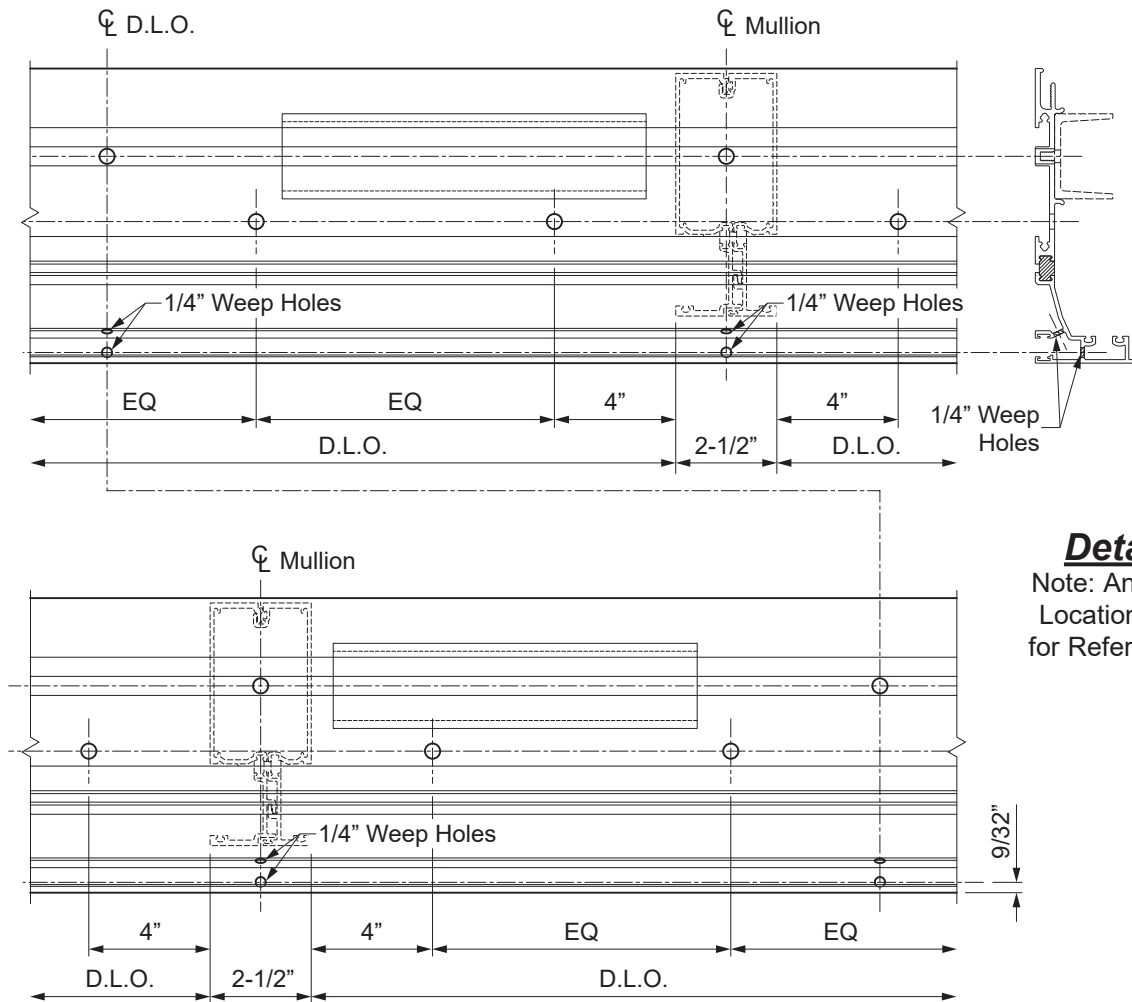
**STEP 7
FABRICATE HEAD RECEPTOR**

-Cut the head receptor to the Frame Width plus(+) 5/16" at each jamb.

Note: For additional possibilities such as slab edge cover application, it is recommended to provide additional space between the edge of the head receptor and the jamb substrate.

- For frame openings longer than 24'-0", allow for a 3/8" splice joint between sill flashing members every twelve to fifteen feet at the center of a D.L.O.
- Mark the front face of the head receptor at the center of each vertical location and the midpoint of the daylight opening between the verticals.
- Drill a 1/4" diameter weep holes in the head receptor at each location marked.
- Drill clear holes for anchor fasteners into the head receptor as indicated on the approved shop drawings and or P.E. calculations.

See **Detail 14**.



Detail 14
Note: Anchor Hole Locations Shown for Reference Only

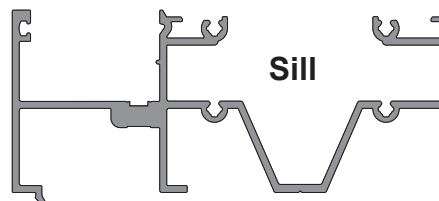
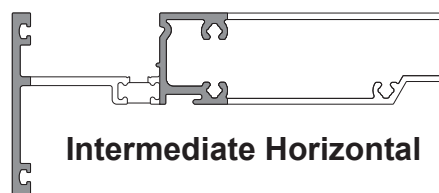
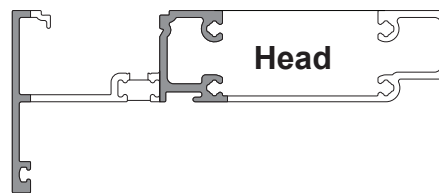
FRAME ASSEMBLY

STEP 8 ASSEMBLE FRAME

Note: It is recommended to lay out the unit pieces face down on a table or saw horses during assembly, fully supporting the mullions. If using saw horses, a brace tying the two together will be required.

- If strap anchors are used at the head, insert them into the head member prior to assembly (2 per Daylight Opening, unless otherwise noted).
- Apply sealant to the end of the horizontal members to be attached to the first mullion or jamb, at the shaded areas of the head and intermediate horizontals and the entire end of the sill.

See **Detail 15**.



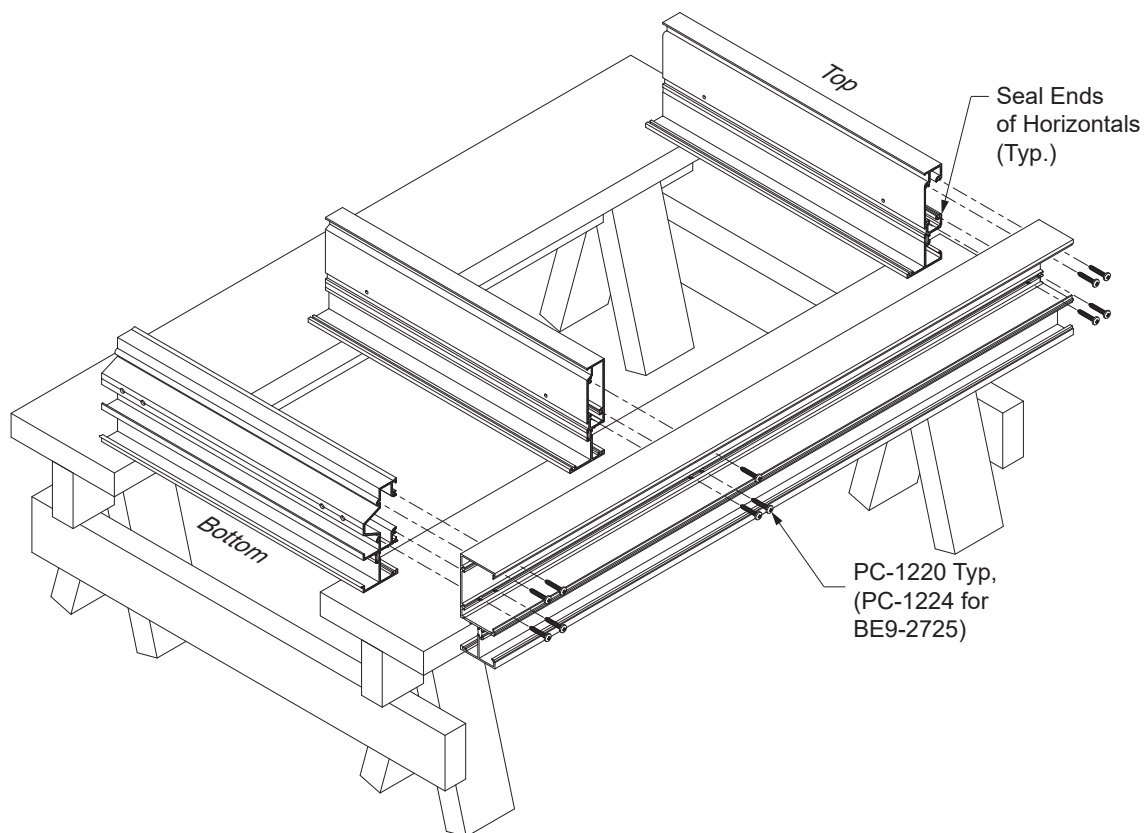
Detail 15

FRAME ASSEMBLY**STEP 8 (Continued)
ASSEMBLE FRAME**

-Attach the horizontal members to the first mullion or jamb using PC-1220 screws.

Note: For attachment to BE9-2725 jamb, use PC-1224 screws.

See **Detail 16**.

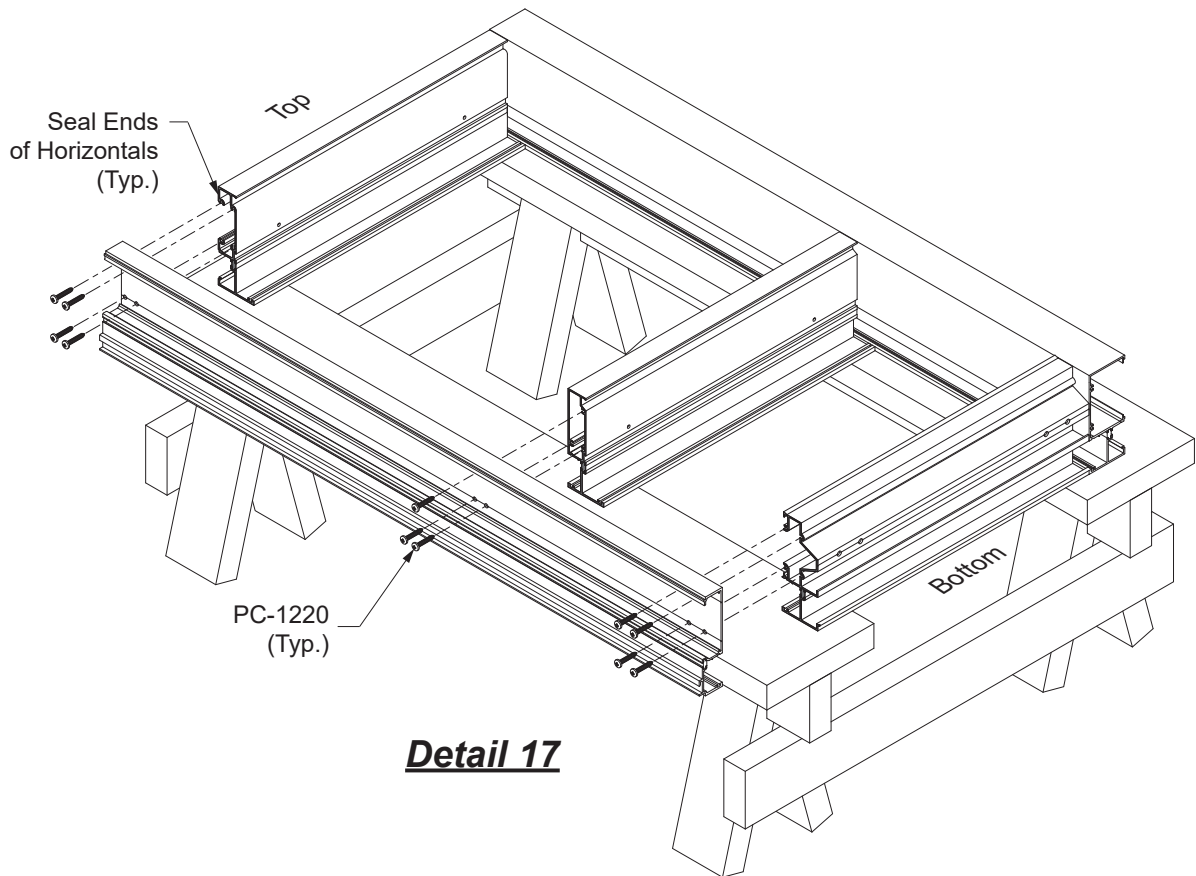


Detail 16
Jamb Mullion shown,
Female Mullion Similar

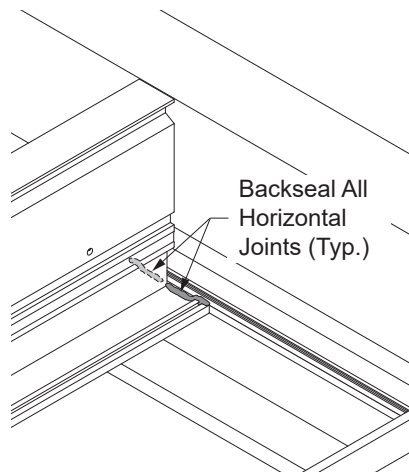
FRAME ASSEMBLY

STEP 8 (Continued) ASSEMBLE FRAME

- Apply sealant to the end of the head, horizontals, and sill that is to be attached to the second mullion or jamb as previously shown in **Detail 16**.
- Attach the horizontal members to the mullion or jamb using PC-1220 screws. See **Detail 17**.
- Apply sealant to the inside of the glazing pocket of the horizontal at the verticals as shown in **Detail 17A**.



Detail 17



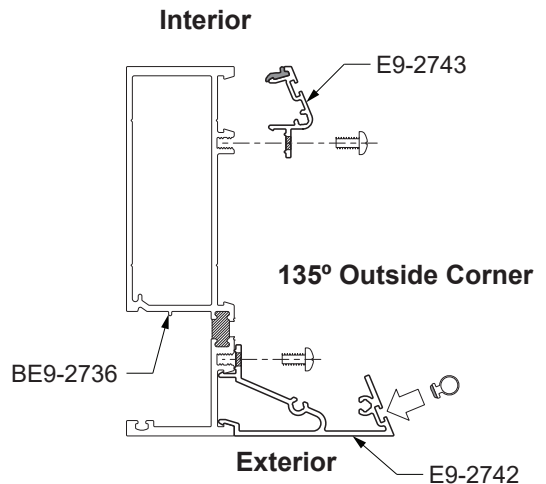
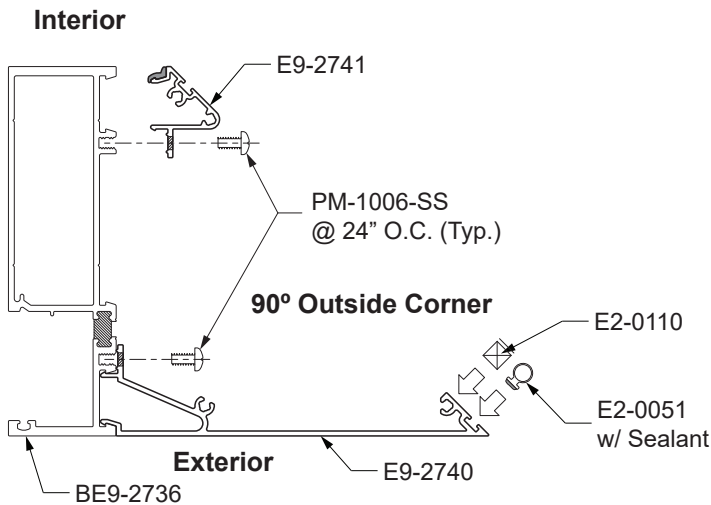
Detail 17A

FRAME ASSEMBLY

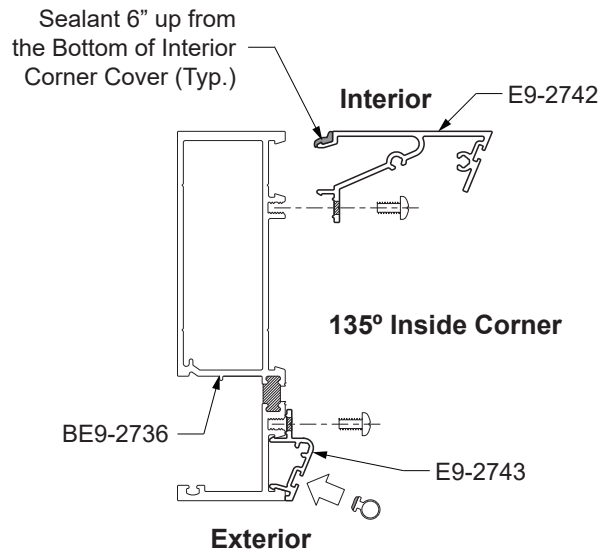
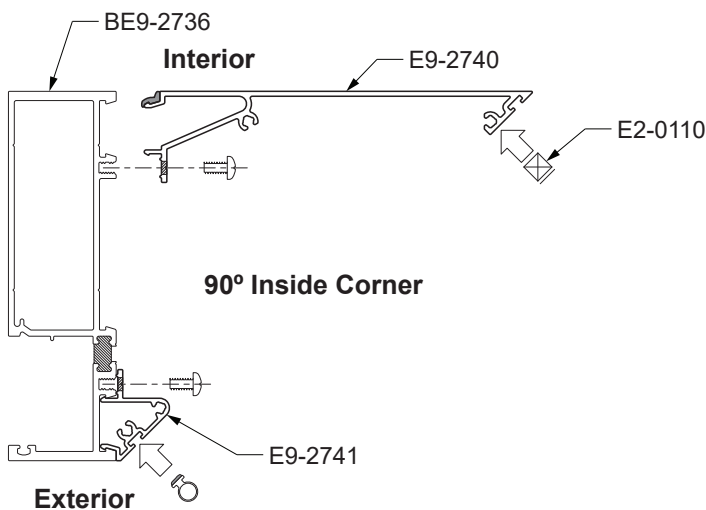
**STEP 8 (Continued)
ASSEMBLE FRAME -- CORNER MULLION**

- Apply sealant to the interior snap interface of the interior corner cover, 6" up from the bottom of the mullion. Snap the cover pieces onto the corner mullion half. Fasten with PM-1006-SS fasteners at the holes previously drilled in fabrication.
- The exterior corner cover will require E2-0051 bulb gaskets cut to the length of the mullion. Apply dabs of sealant to the bottom of the bulb gasket to adhere it to the mullion so that it will not slide out during unit installation. Do not overseal. Insert the gasket into the reglet at the cover.
- The 90° corner cover (E9-2740) will also require an E2-0110 spacer tape adhered the cover for one side of the corner. This will keep the cover from flexing too much. (The other corner half for the adjoining unit will not need this spacer tape as well.)

See **Detail 18**.



Detail 18

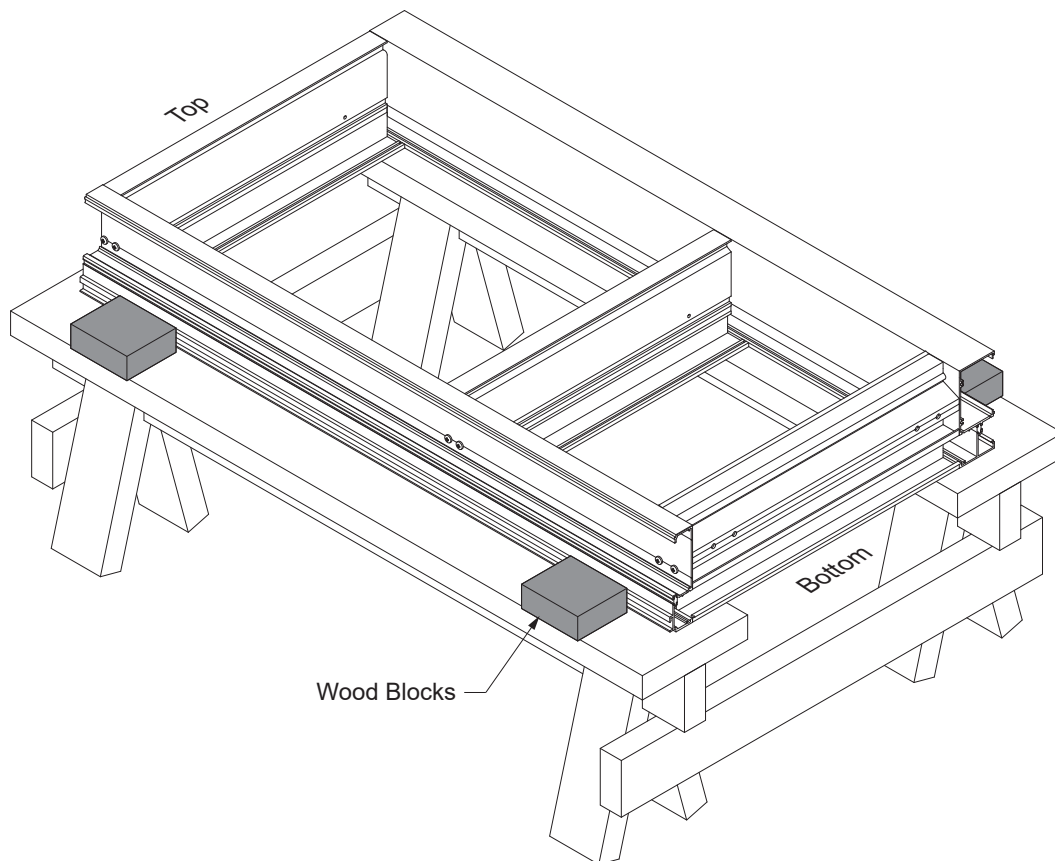


FRAME ASSEMBLY

STEP 9 SECURE UNIT FRAME

-Attach wood blocks to the workspace against the outer edges of the mullions to keep them from shifting during the remainder of the assembly process.

See **Detail 19**.

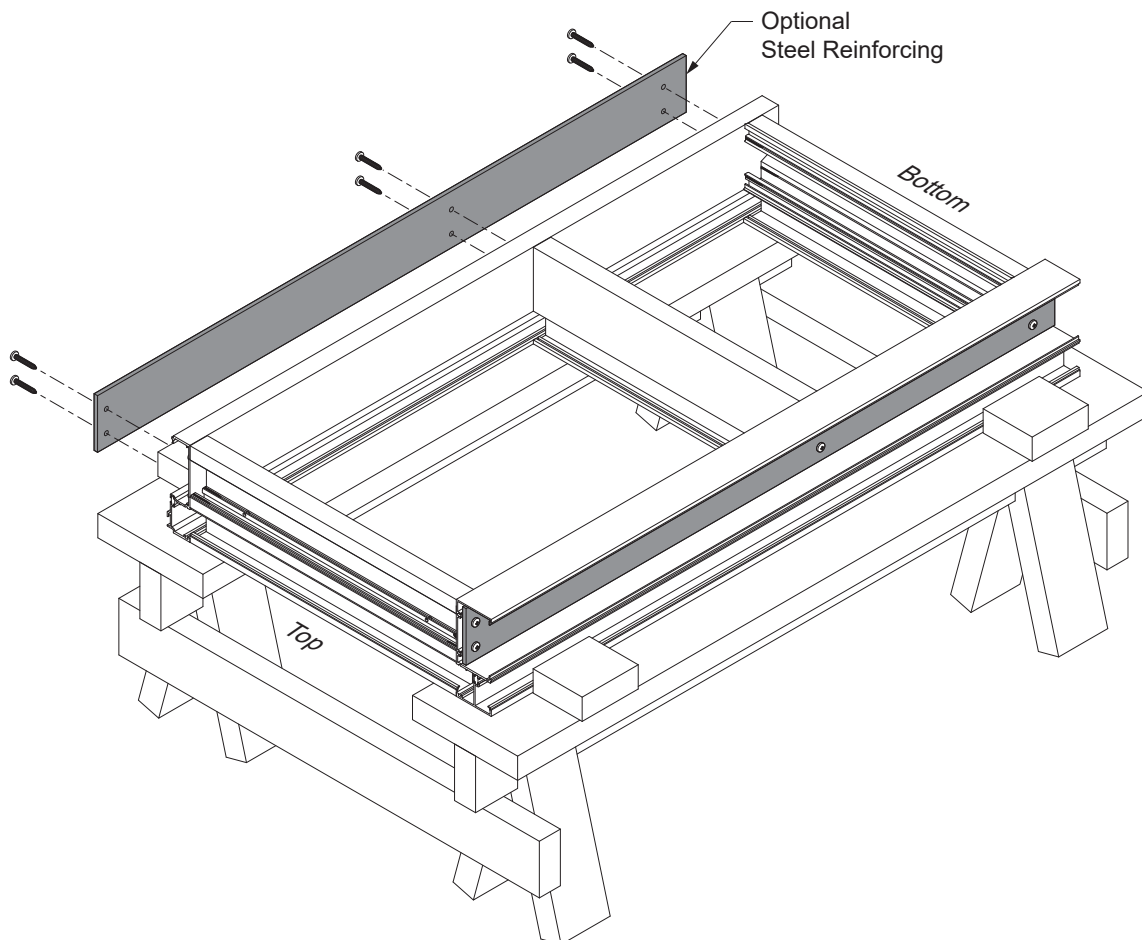


Detail 19

FRAME ASSEMBLY**STEP 10 (Optional)
INSTALL STEEL REINFORCING**

- Install steel reinforcing into the mullions and jambs as required by the P.E. calculations and or approved shop drawings.
- Steel reinforcing may be installed at the head, sill, and horizontals with fasteners, taking care that the fasteners do not interfere with the horizontals nor would be visible when the unit is installed.

See **Detail 20**.



Detail 20

FRAME ASSEMBLY

STEP 11 INSTALL PERIMETER FILLERS

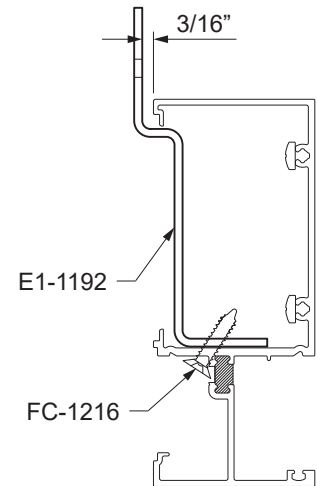
Install perimeter fillers into the jamb mullions and the head member.
-For the head, cut the E3-3664 pocket filler to horizontal daylight opening minus(-) 1/32" and snap it into the perimeter glazing pocket.

-If jamb strap anchors are used, install them into the jambs prior to installing perimeter fillers.
See **Detail 21**.

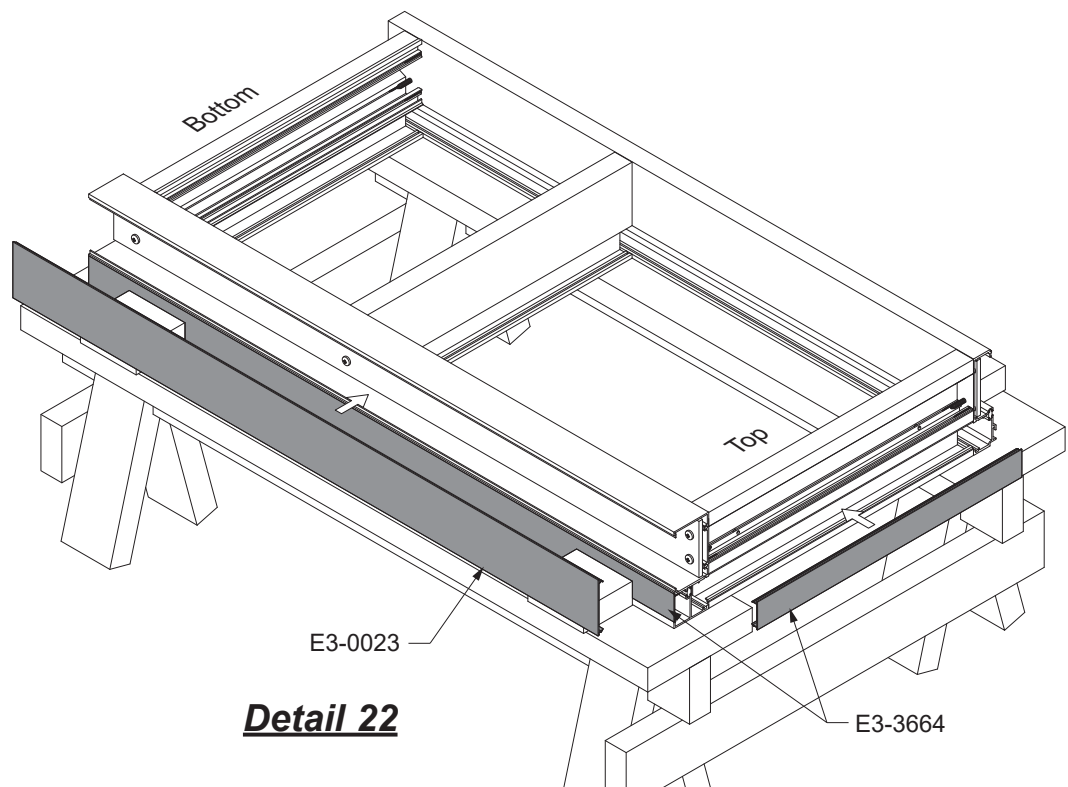
-At the jamb, cut the E3-3664 pocket filler to length of vertical and install it into the jamb.
-Cut the E3-0023 to the length of the jamb, except where strap anchors would interfere. Snap the filler into place.

See **Detail 22**.

Note: E3-0023 is not required for heavy duty jamb mullion.



Detail 21



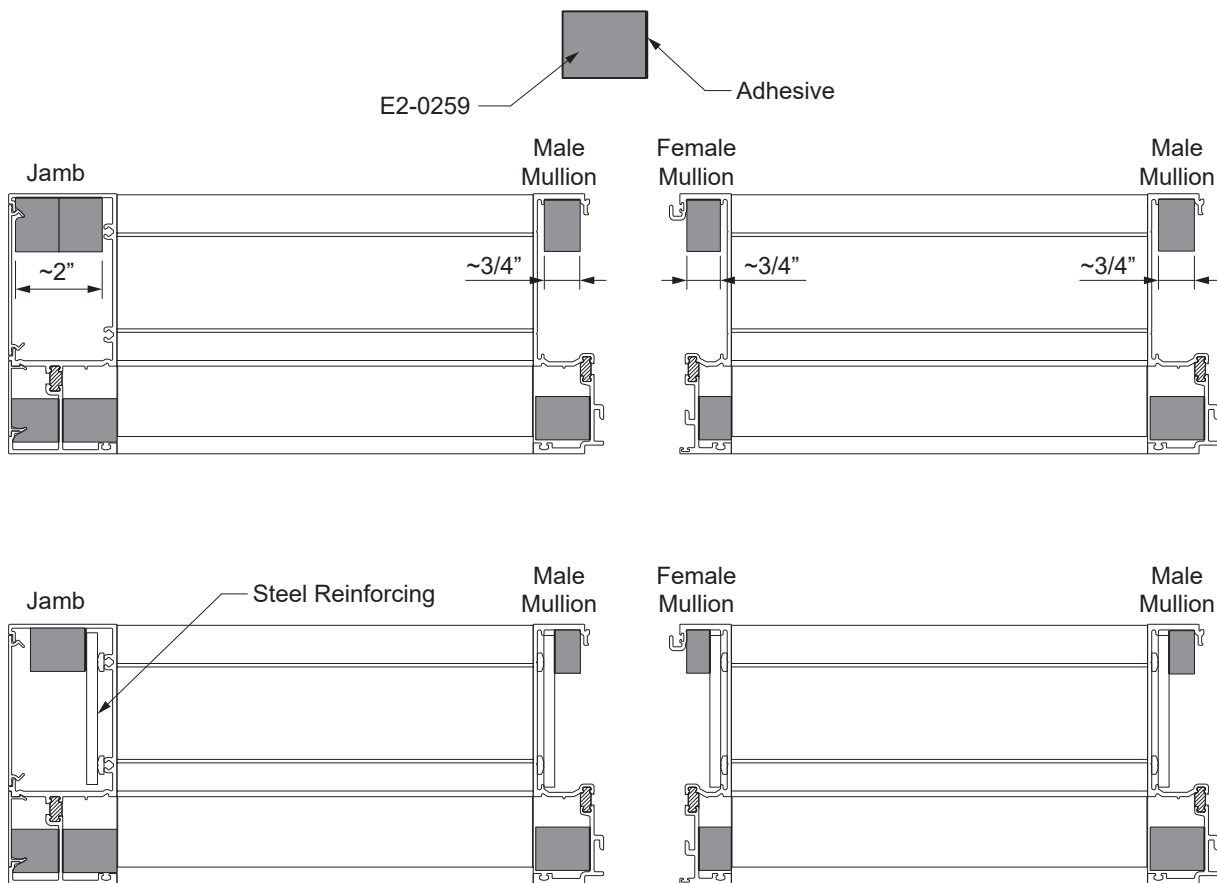
Detail 22

FRAME ASSEMBLY

**STEP 12
INSTALL FOAM PLUGS AT HEAD**

- Cut E2-0259 foam backer tape to be installed at the head only. These will act as end caps for perimeter backer rods and sealant.
- Peel the adhesive tape from the foam and adhere it to the mullion as shown in **Detail 23**. The foam can be easily compressed around physical obstacles in the assembled verticals.
- In the case where steel reinforcing is present at the head, the foam plugs may be adhered to the steel.

Note: For best adhesion, make sure the contact surfaces of the verticals and or steel members are clean and dry.



Detail 23

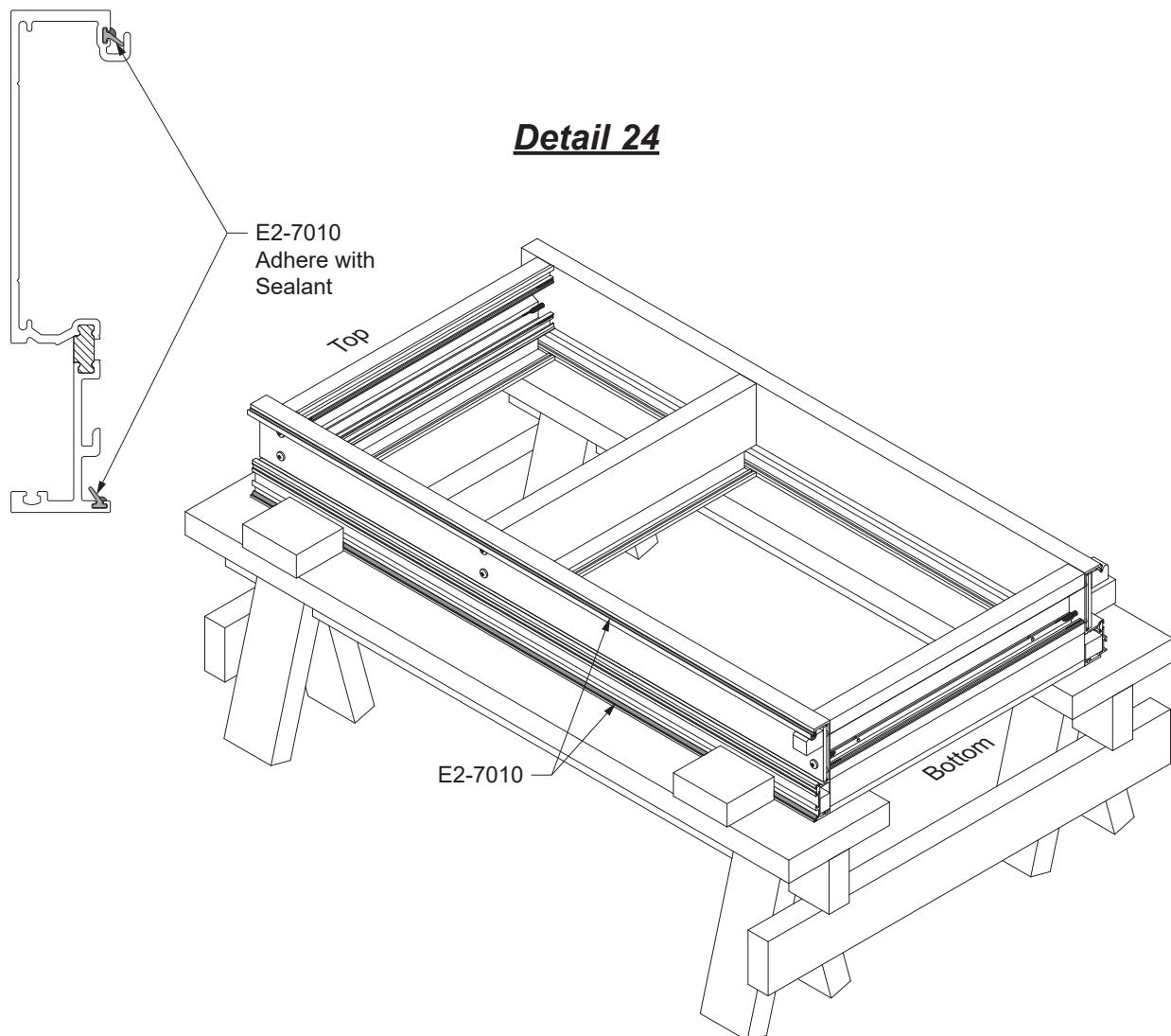
FRAME ASSEMBLY

STEP 13 INSTALL WEATHER SEAL

Weather seal gaskets (E2-7010) are installed in the female mullion only.

-Cut the weather seal gasket to length of the vertical, and install into the reglets of the female mullion in the proper orientation as shown in **Detail 24**.

-Apply dabs of sealant to the bottom of the weather seal gasket to adhere it to the mullion so that it will not slide out during unit installation. Do not overseal. Too much silicone will deter mullion engagement.



FRAME ASSEMBLY

**STEP 14
INSTALL WATER DEFLECTOR**

YHW 60 TU requires the installation of a water deflector, E2-0049, at the ends of every intermediate horizontal to keep water off of the insulating glass units.

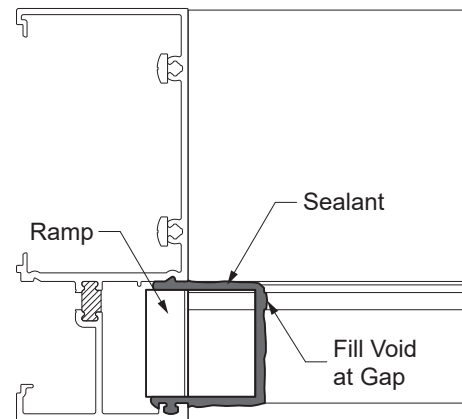
-Peel away the protective paper from the bottom of the water deflector, E2-0049, and install the water deflector at the ends of each horizontal.

See **Detail 25**.

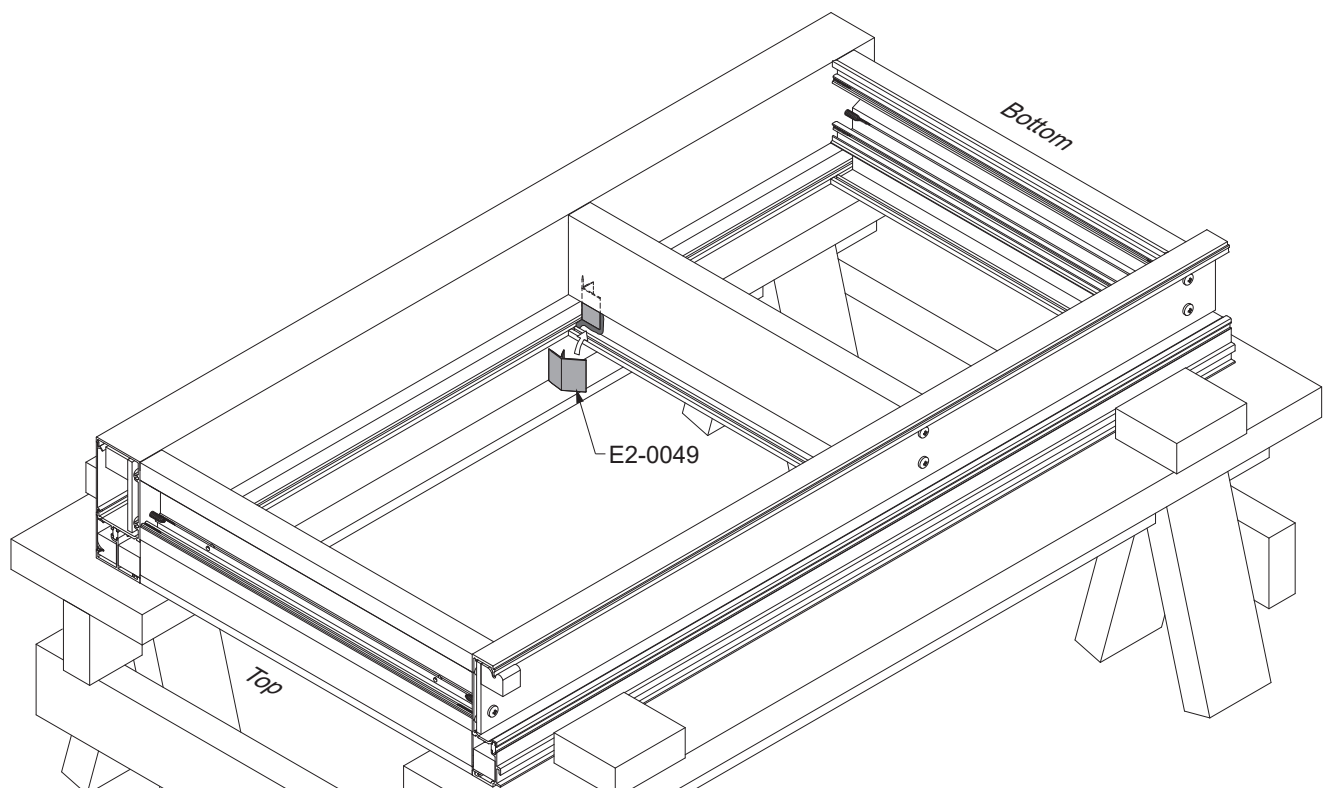
-Position the vertical leg of the water deflector against the end of the horizontal.

Note: For best adhesion, make sure that the horizontal is clean and dry.

-Apply and tool sealant along the edges of the deflector and down onto the horizontal. Seal the ramp of the water deflector to the glazing pocket.



Detail 25
Jamb Mullion shown,
Others Similar



GLAZING

STEP 15 INSTALL EXTERIOR GLAZING GASKETS

For impact glazing: Push-in gasket, E2-0801 must be installed on the exterior prior to glazing.

For non-impact glazing: Push-in gasket, E2-0139 must be installed on the exterior prior to glazing.

-Using a small brush, clean out any dirt that may have accumulated in the gasket reglets.

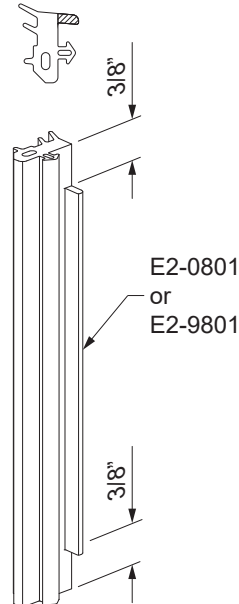
Vertical glazing gaskets must be installed first:

-Cut vertical gaskets to the Daylight Opening plus(+) 3/4" plus(+) an additional 1/4" for each foot of length. For E2-0801 only, notch the ends of the vertical gasket as shown.

-Insert the gasket into the reglets at each end first; then insert the gasket at the midpoint of the opening.

-Push the gasket into the reglet starting at the midpoint and work towards each end.

See **Detail 26**.

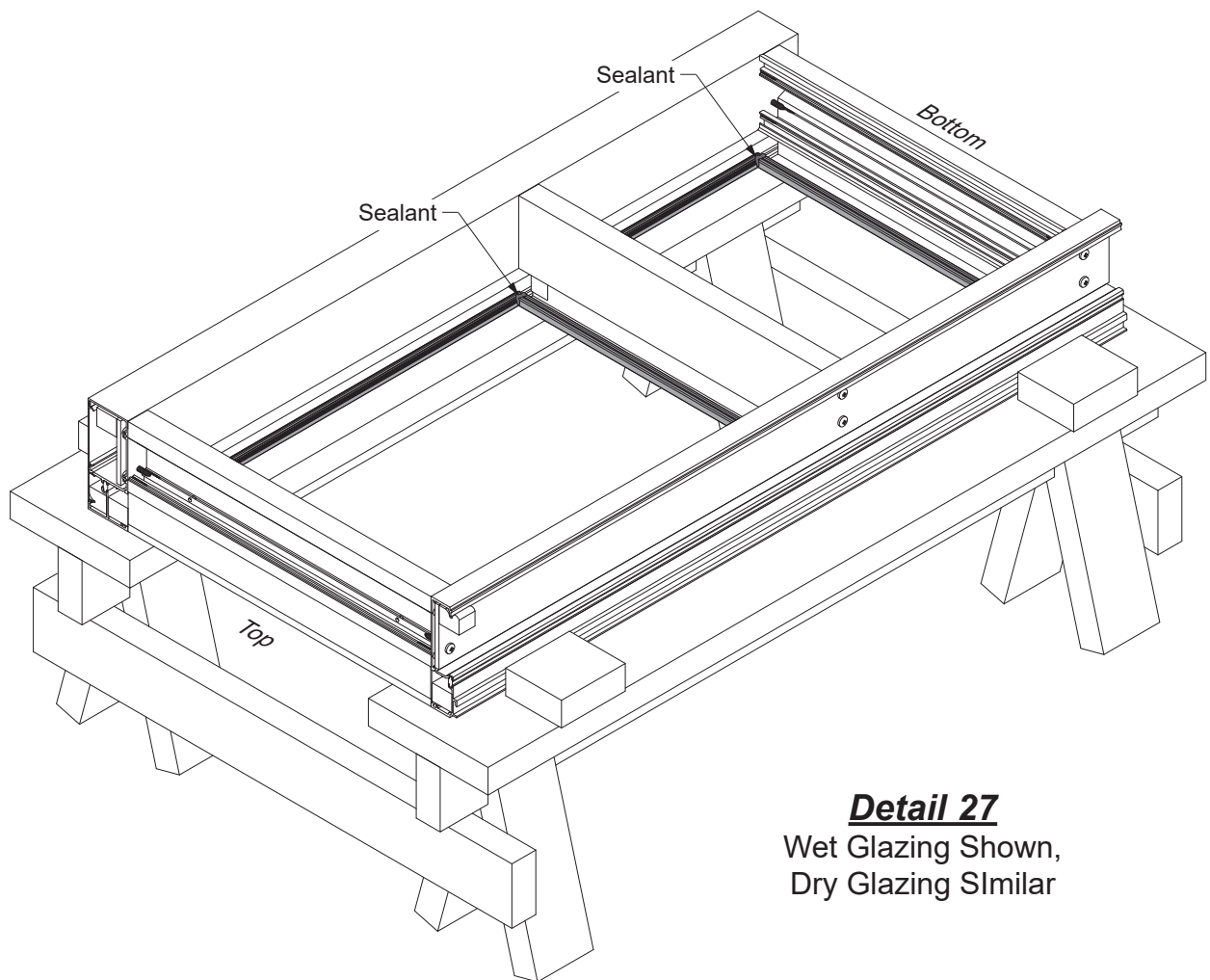


Detail 26
Impact Glazing
Only

GLAZING**STEP 15 (Continued)
INSTALL EXTERIOR GLAZING GASKETS****Install horizontal glazing gaskets next:**

- Cut horizontal glazing gaskets to Daylight Opening plus(+) 1/4" for each foot of length.
- Apply sealant to each end of the horizontal glazing gasket prior to inserting into the reglet.
- Insert the gasket into the reglet at each end first; then insert the gasket at the midpoint of the opening.
- Push the gasket into the reglet starting at the midpoint and work towards each end.
- Tool the excess sealant at the gasket corners to ensure a watertight seal.

See **Detail 27**.

**Detail 27**

Wet Glazing Shown,
Dry Glazing SImilar

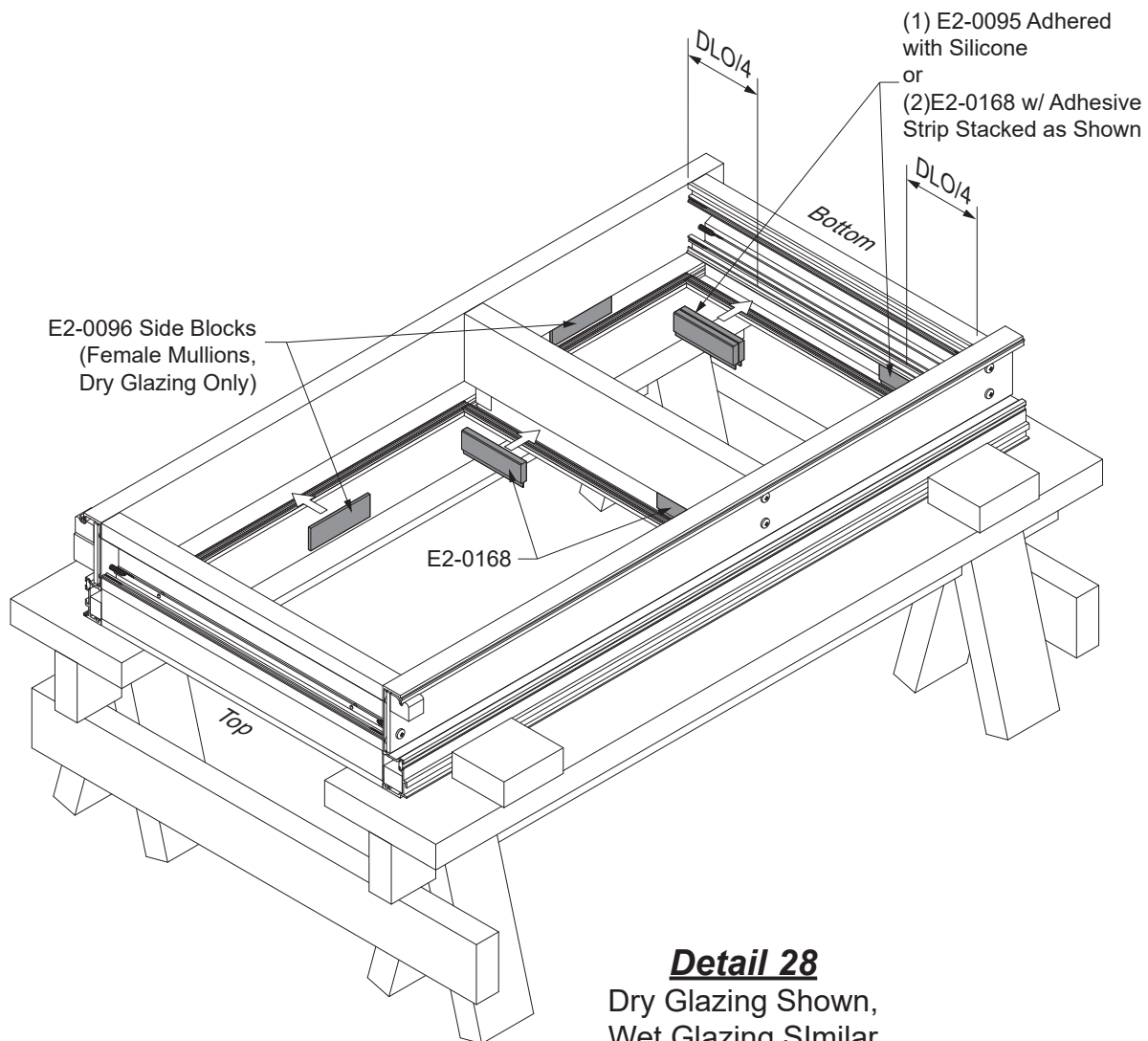
GLAZING

STEP 16 INSTALL SETTING / SIDE BLOCKS

-Apply setting blocks into the glazing pockets for every sill and intermediate horizontal as shown in **Detail 27** at quarter points at every daylight opening.

For Dry Glazing Only:

-Apply side blocks to the female mullion only at the midpoint vertically at every daylight opening as shown in **Detail 28**.



Detail 28
Dry Glazing Shown,
Wet Glazing Similar

Packing/Shipping Notes:

If packing units horizontally, set units with shallow pocket down. Also on conditions with a double pocket, like a jamb/jamb punched opening or similar corner condition, use a setting block on one jamb (ship this side down.)

GLAZING

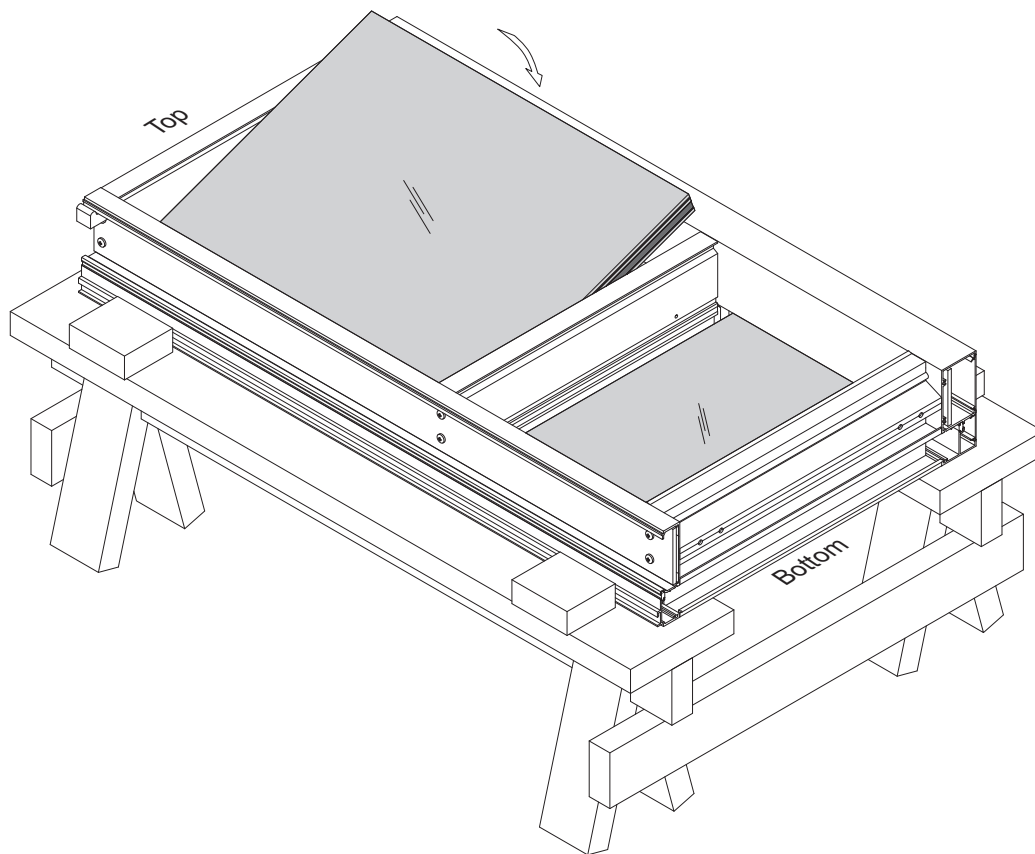
**STEP 17
INSTALL GLASS**

Determine the glass size:

	Width	Height
Standard Glazing	D.L.O. + 1"	D.L.O. + 1"

-Install the glass lites into the daylight openings. Bring the glass lites into the deep glazing pocket first. Then move the glass lites to their proper positions ensuring a 1/2" glass bite all around and tight against the setting blocks.

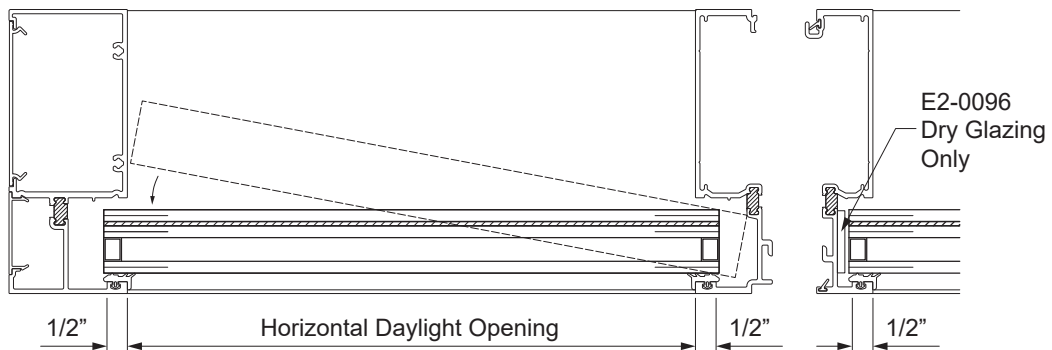
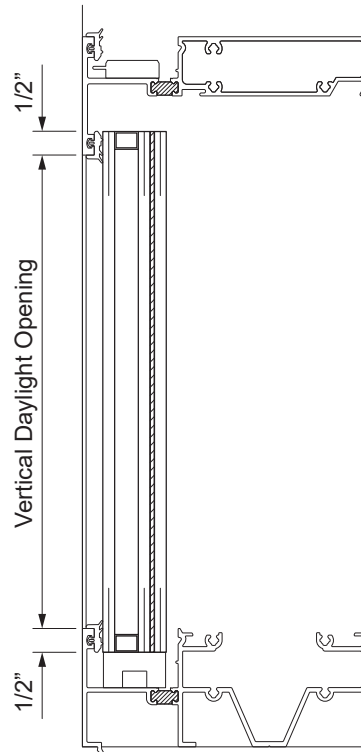
See **Details 29 & 30**.



Detail 29

GLAZING

STEP 17 (Continued)
INSTALL GLASS



Detail 30

GLAZING

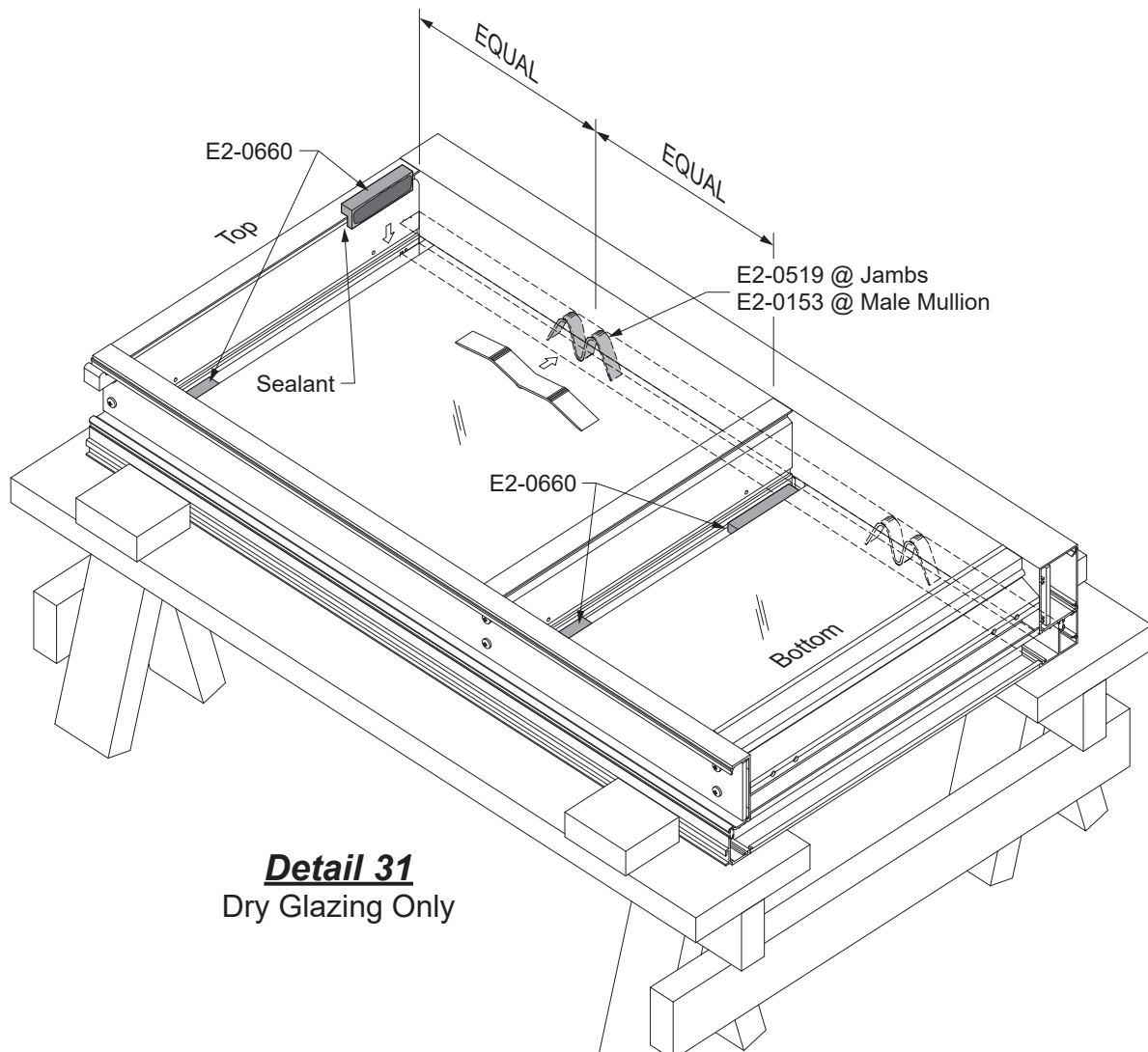
**STEP 18 (DRY GLAZING ONLY)
INSTALL ANTI-WALK BLOCKS**

Anti-walk blocks must be installed in the vertical deep glazing pocket of each lite centered along the daylight opening.

- E2-0519 for all jambs
- E2-0153 at male mullion

-Flatten the anti-walk block against the surface of the glass and push it into the opening between the glass and the mullion until it is released into the glazing pocket.

-Adhere E2-0660 setting blocks with silicone to the frame at the topside of each lite at each end of the daylight opening. Be sure to set the inside face of the setting block flush with the glass and in the proper orientation as shown in **Detail 31**. This will keep the glass from shifting as the unit is raised for installation.



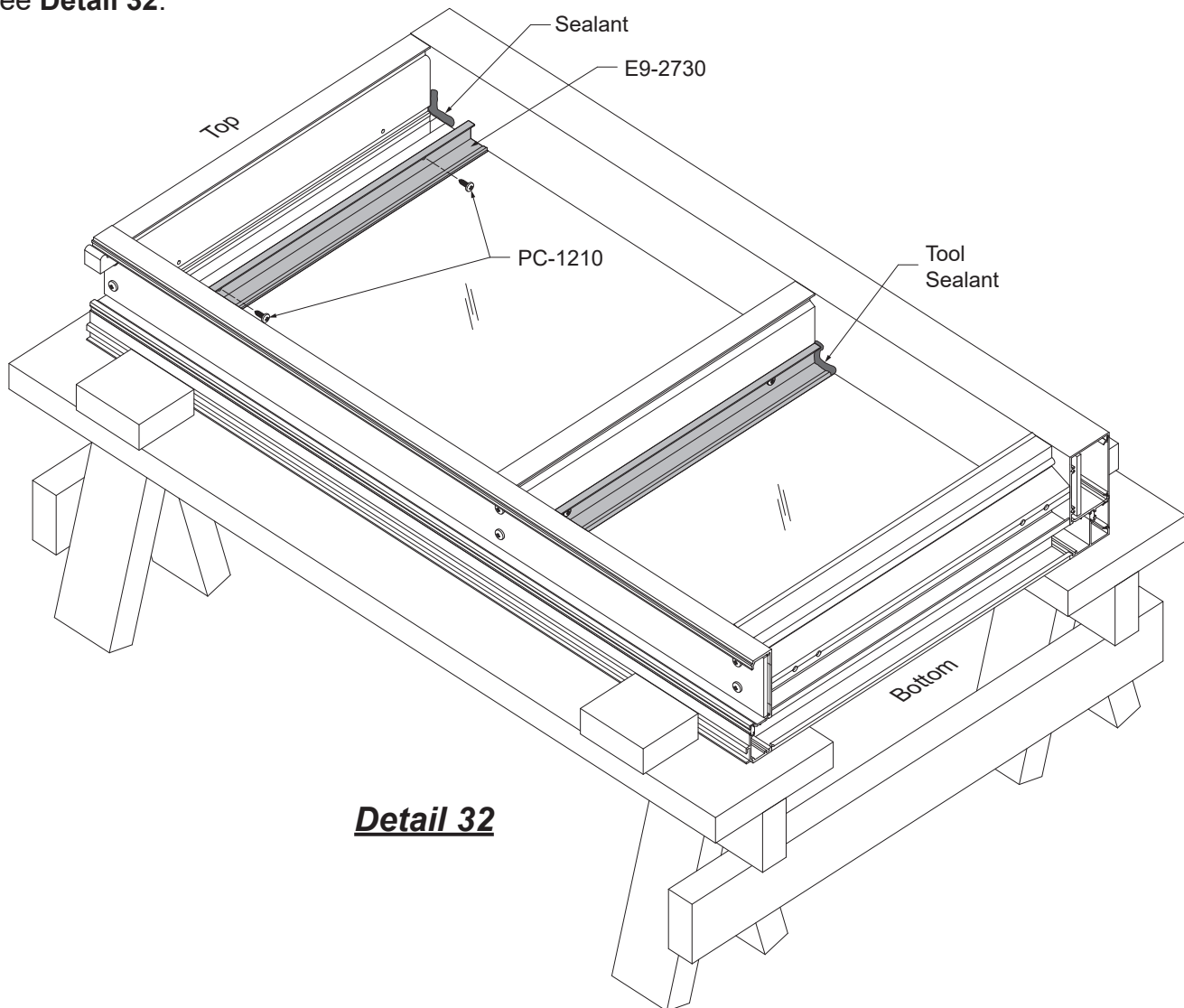
Detail 31
Dry Glazing Only

GLAZING

STEP 19 INSTALL GLASS STOPS

- Apply sealant to the top corners of the mullions where the E9-2730 glass stops will be joined.
- Set the glass stops in place at the top of each daylight opening and secure the stop in place by drilling #12 tap holes (0.189" dia.) and using PC-1210 fasteners.
- Tool sealant at intersection of the glass stop to the vertical mullion.

See **Detail 32**.



Detail 32

GLAZING

STEP 20 INSTALL INTERIOR SPACERS (WET GLAZING)

Vertical interior spacers are to be installed prior to the horizontal spacers.

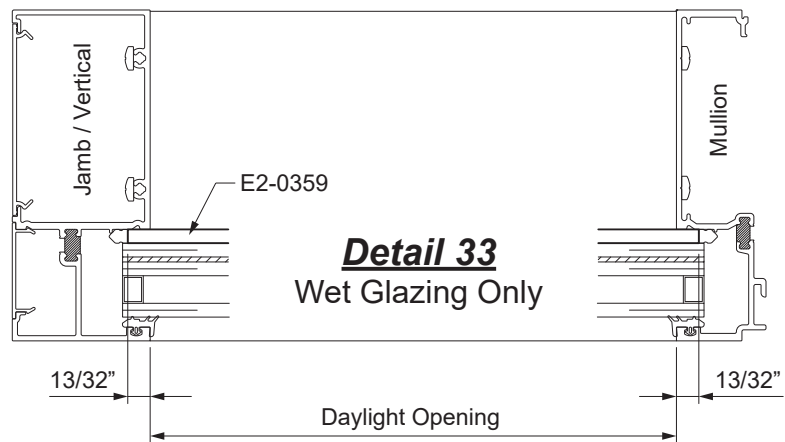
-Cut vertical push-in spacers to Daylight Opening plus(+) 1-1/4”.

-Install vertical spacers, centered on the Daylight Opening at a depth of 13/32” from the Daylight Opening using a spacer block similar of the one shown on **Detail 34** on **Page 33**. Insert the spacer into the glazing pocket at each end first, then insert the spacer at the midpoint of the opening and work towards each end.

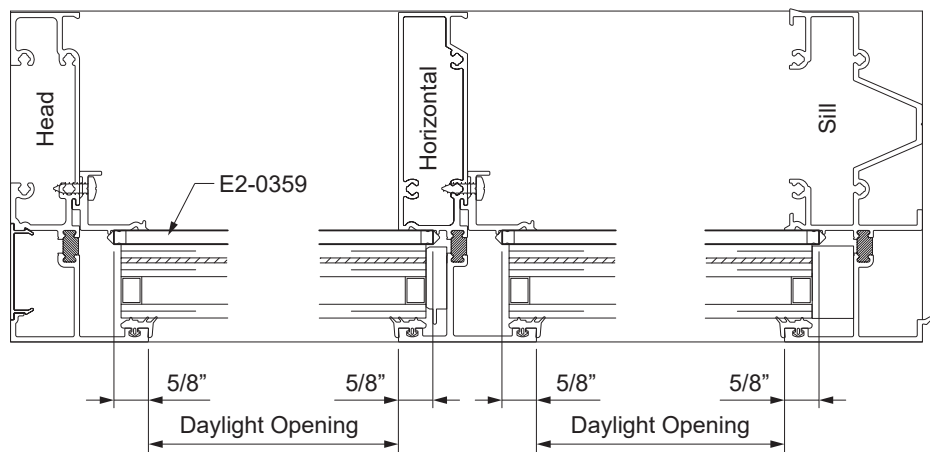
See **Detail 33**.

Note: E2-0359 is used for laminated 1-5/16” glass and should be installed with minimum effort. If the glass is thicker than standard, an alternate spacer will be required to maintain an easy “push in” of the spacer.

Glazing	Ext. Gasket	Int. Gasket
1-3/16” Dry Non-Impact	E2-0128	E2-0802
1-1/4” Dry Non-Impact	E2-0139	E2-0802
1-5/16” Dry* 0.060” Interlayer	E2-0801	E1-0802
1-5/16” Wet* 0.090” Interlayer	E2-9801	E2-0359



* Nominal Dimension

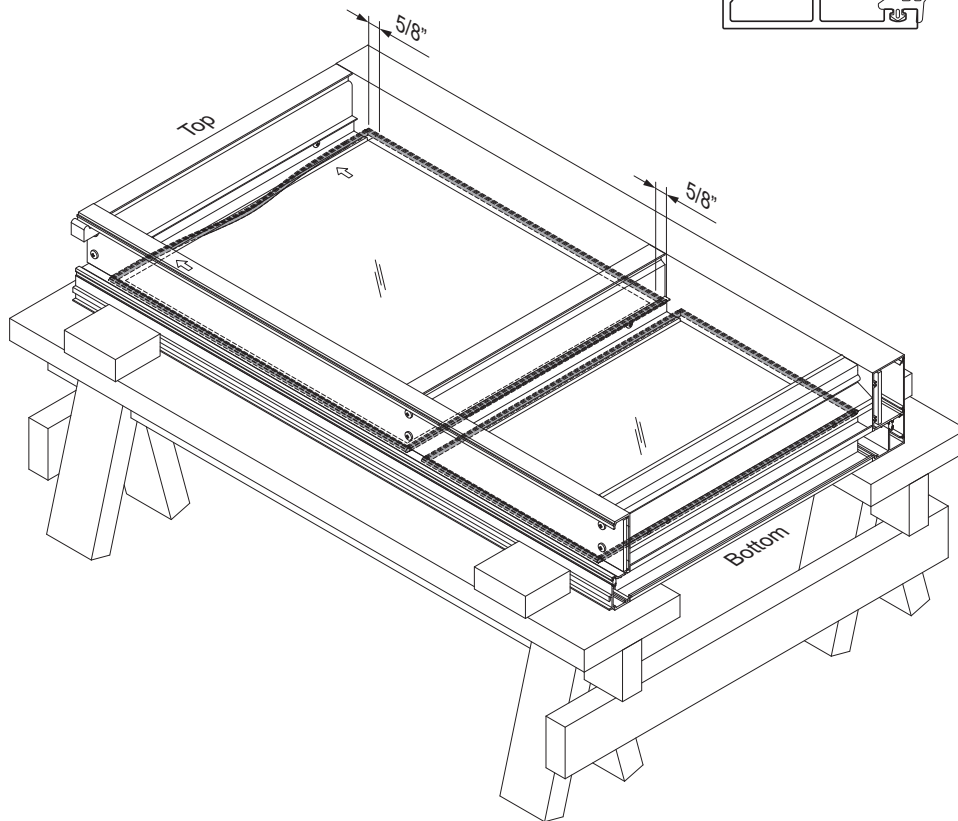
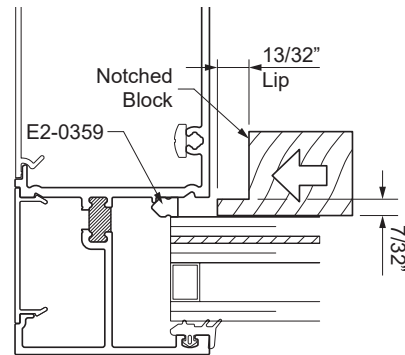


GLAZING

STEP 20 (Continued)
INSTALL INTERIOR SPACERS (WET GLAZING)

- Cut horizontal E2-0359 spacers to Daylight Opening plus(+) 3/4”.
- Insert the spacer into the glazing pocket at each end first; push each end tight against the vertical spacer. Do not lubricate.
- Then insert the spacer at the midpoint of the opening and push spacer into the glazing pocket starting at the midpoint and work towards each end. Use a block a wood similar to that illustrated below and push the spacer to a depth of 13/32”.

See **Detail 34**.



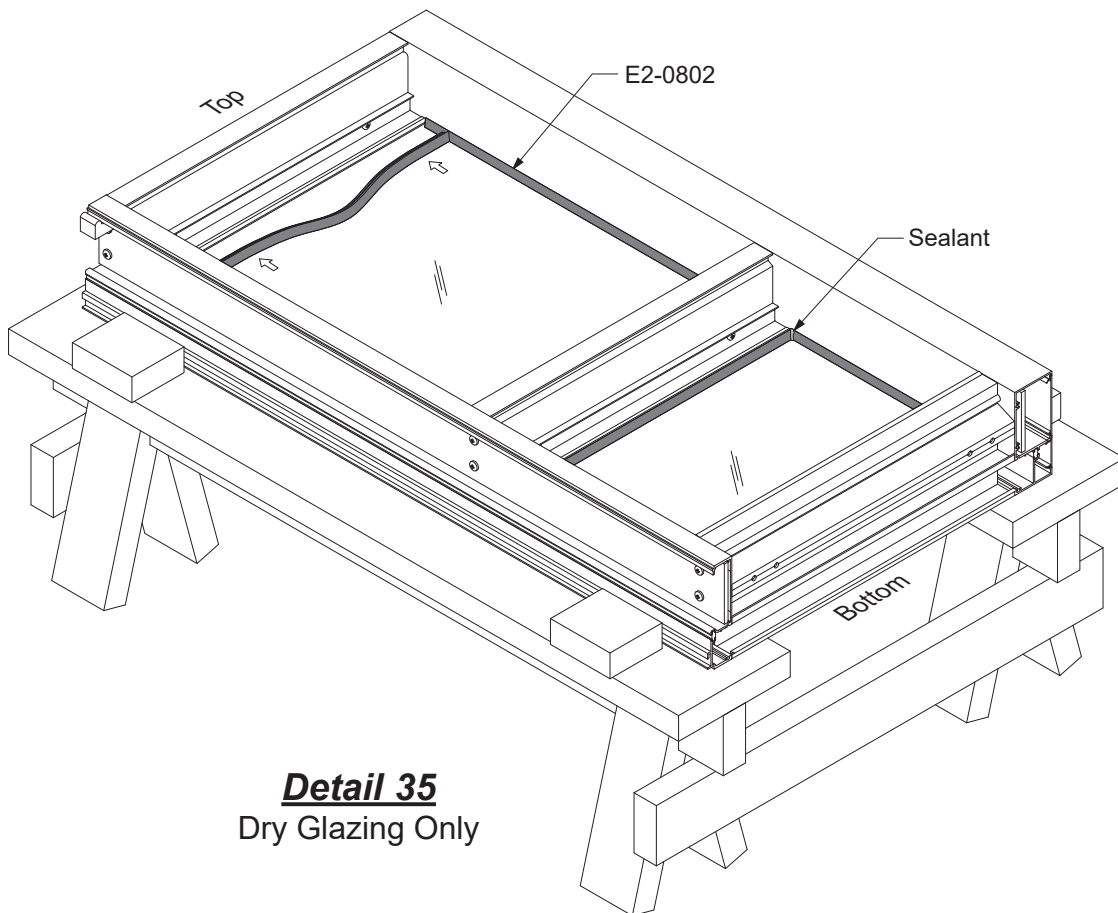
Detail 34
 Wet Glazing Only

GLAZING

**STEP 20 (Continued)
INSTALL INTERIOR SPACERS (DRY GLAZING)**

- Cut E2-0802 interior gaskets to Daylight Opening plus(+) 1/8" per foot of length.
- Install the vertical gaskets first.
- Apply silicone at all corners.
- Next, insert the horizontal gasket into the glazing pocket, centered on the Daylight Opening at each end first; then insert the gasket at the midpoint of the opening and work towards each end. Ensure the horizontal and vertical gaskets are sealed together. Tool excess silicone smooth.

See **Detail 35**.



Detail 35
Dry Glazing Only

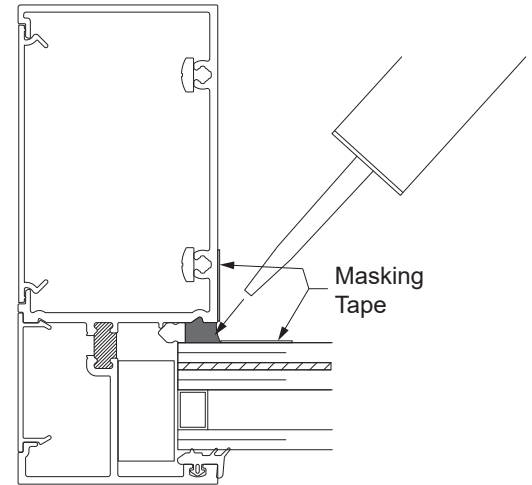
GLAZING

STEP 21 APPLY SEALANT (WET GLAZING)

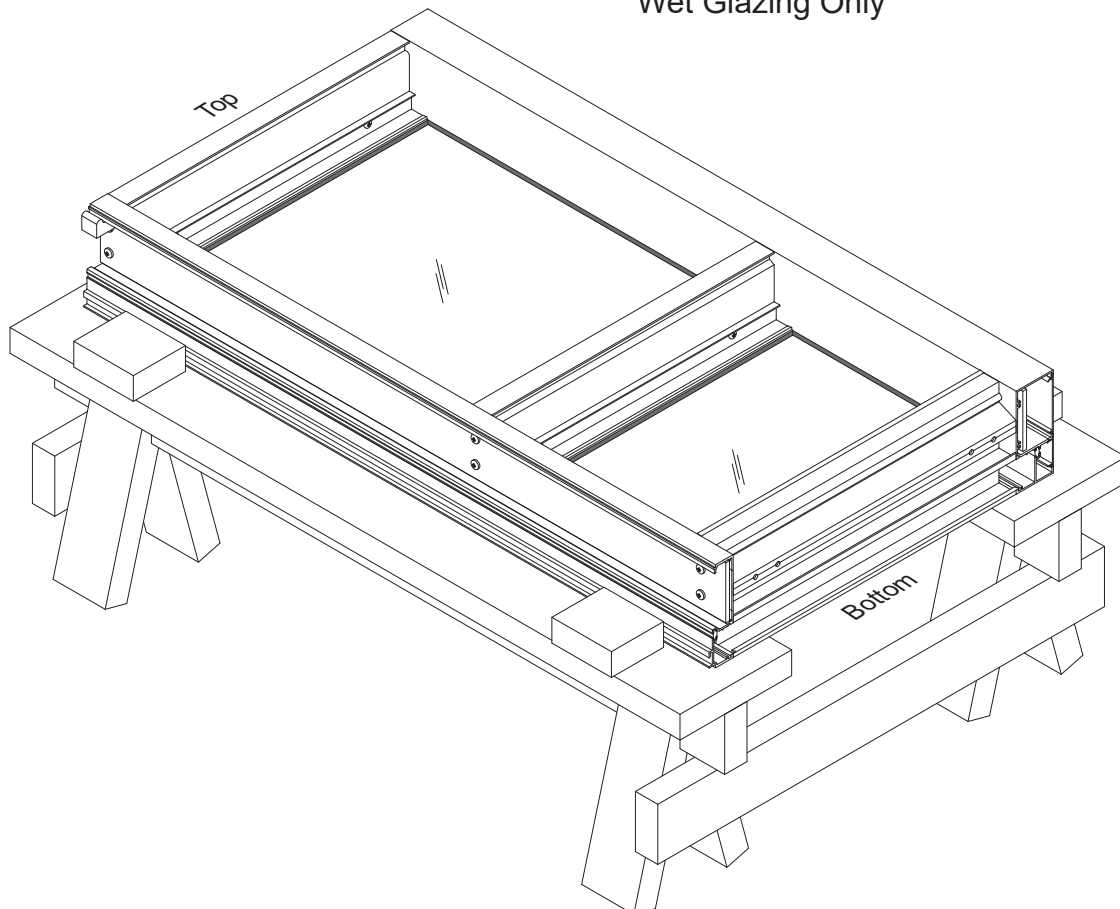
Note: Before wet sealing the glass, double check the unit for squareness and correct if necessary.

- Apply masking tape to the adjacent surfaces of the glass and the framing members as shown in **Detail 36**.
- Apply sealant to the void between the glass and the framing members, filling the void. Tool the sealant.
- Remove masking tape immediately after application. Do not let the sealant skin over.

Note: Do not move the units until the sealant has completely cured.



Detail 36
Wet Glazing Only



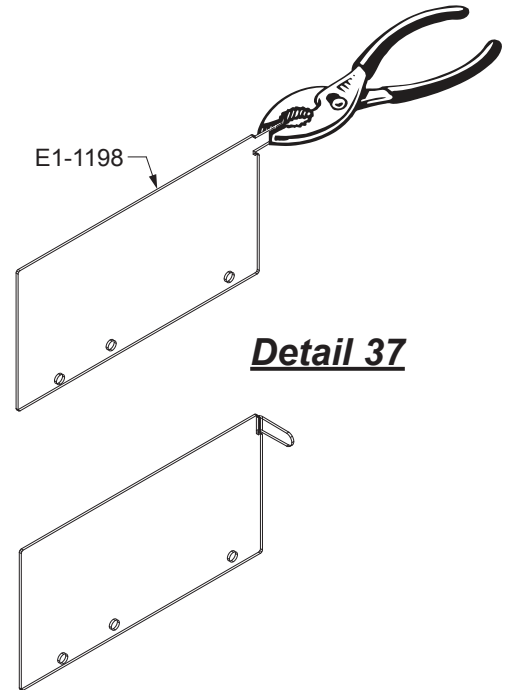
FRAME INSTALLATION

**STEP 22
INSTALL SILL FLASHING END DAMS**

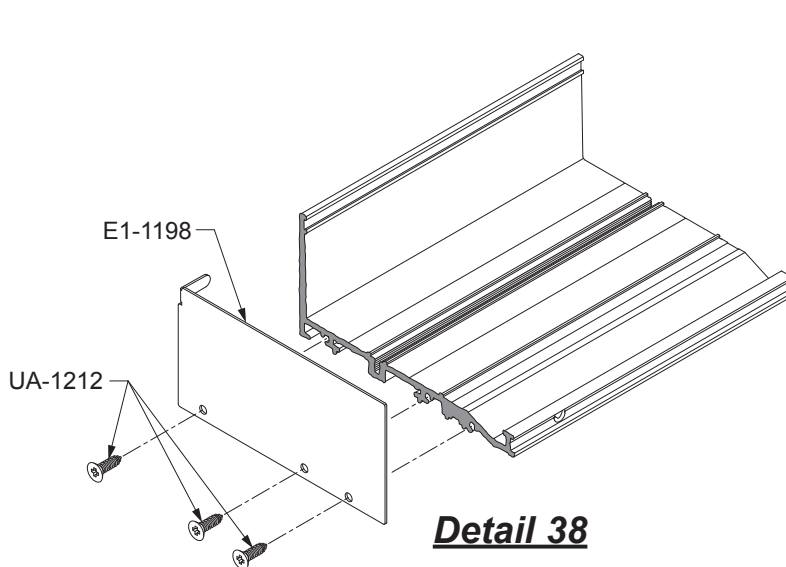
-Bend the end dam tab left or right 90 degrees in order to “hand” the end dam for the left or right end of the flashing.

See **Detail 37**.

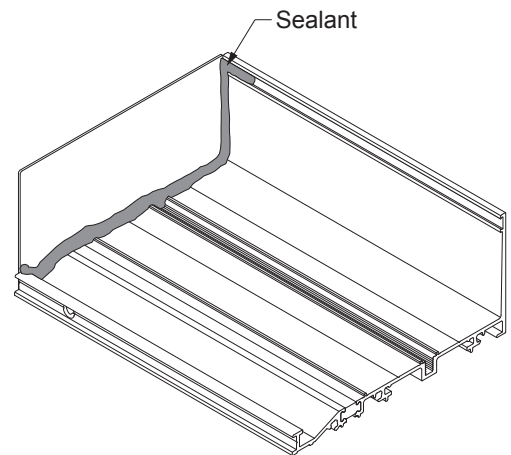
- Clean all joint surfaces using cleaner approved by sealant manufacturer.
- Apply sealant to the end of the sill flashing as shown in **Detail 38**.
- Slide the tab into the top portion of the sill flashing.
- Tap the tab into place with a small tool until the end dam is snug against the end of the flashing.
- Fasten the end dam to the sill flashing with three UA-1212 screws, starting at the back, followed by the front as shown in **Detail 38**.
- Tool sealant along the joint between the end dam and the sill flashing as shown in **Detail 39**.



Detail 37



Detail 38



Detail 39

FRAME INSTALLATION

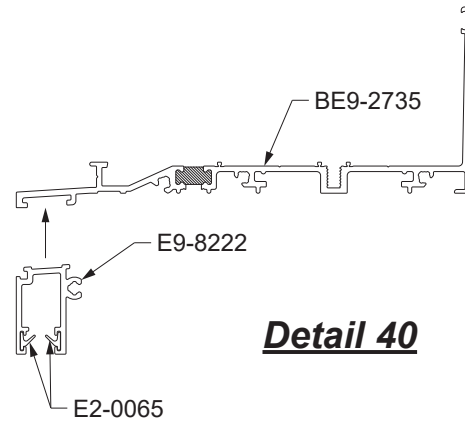
**STEP 22A
INSTALL SILL FLASHING END DAMS FOR SLAB
EDGE COVER**

- Sill flashings with slab edge covers will require an aluminum plate adaptor E9-8222 to be attached prior to field installation.
- Insert (2) E2-0065 weathering gaskets cut to the length of the reglets on the adaptor.
- Slide the slab edge adaptor onto the sill flashing.

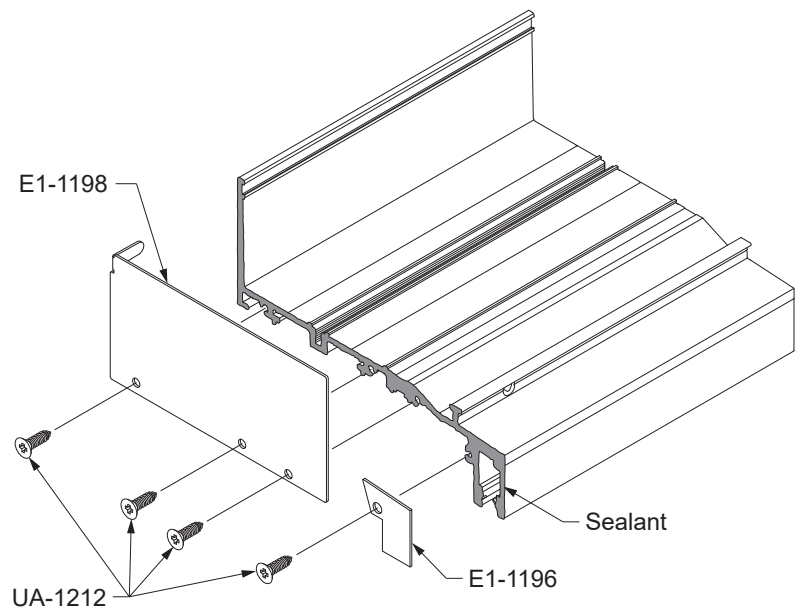
See **Detail 40**.

- Installation of the E1-1198 end dam is the same as illustrated in the previous page, except that the end of the installed slab edge adaptor will also require sealant.
- Fasten an E1-1196 end cap onto the slab edge assembly using an additional UA-1212 screw.

See **Detail 41**.



Detail 40



Detail 41

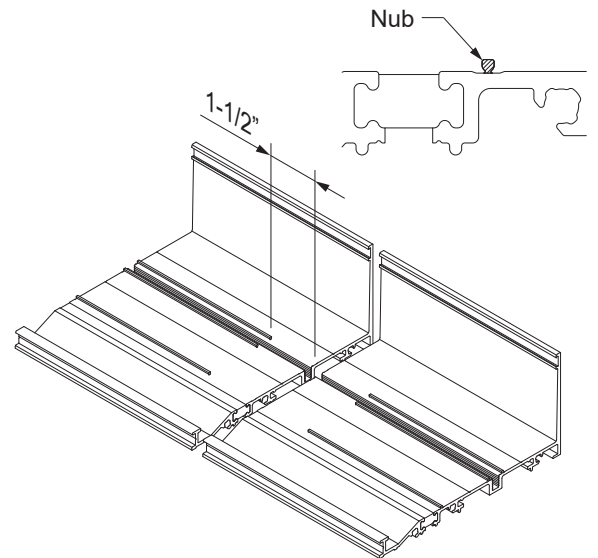
GLAZING

**STEP 23
INSTALL BE9-2729 SILL FLASHING**

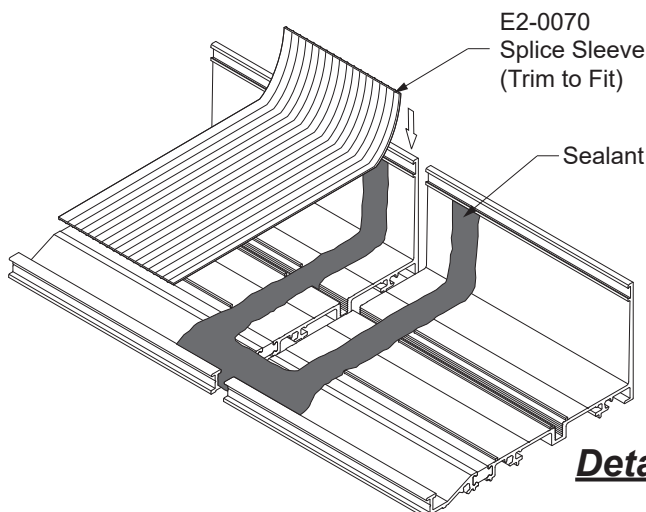
- Prior to installing the sill flashing, slide in E1-1191 strap anchors (2 per DLO) if they are being used.
- Install the sill flashing with a minimum of 3/8" shim space underneath. Sill flashing must be installed level.
- Anchor the sill flashing to the structure a maximum of 4" from each end and then 18" to 24" on center, per P.E. calculations, or per FPA drawings.
- Apply and tool sealant to cover the heads of all anchors and screws.

**STEP 24
INSTALL SILL FLASHING SPLICE SLEEVE**

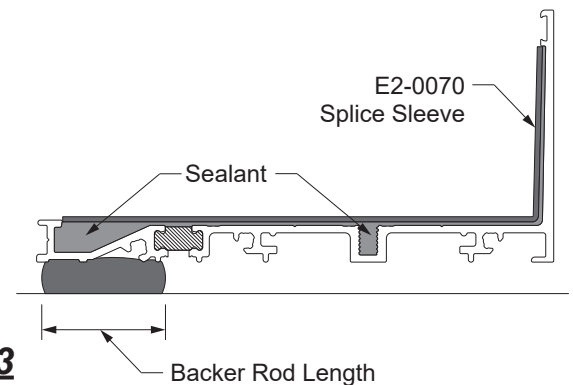
- Remove the nub with a chisel or pliers on both sides of the splice joint 1-1/2" as shown in **Detail 42**.
- After the sill flashing has been shimmed and anchored to the building structure, insert a small backer rod under the sill flashing as shown in **Detail 43**.
- Position the Silicone Splice Sleeve against the back wall below the groove.
- Bend the Silicone Splice Sleeve into the front on the channel as shown. Mark and cut the sleeve at this position.
- Clean Sill Flashing and Silicone Splice Sleeve with isopropyl alcohol at the splice location.
- Seal the flashing at the splice location as shown in **Detail 43**, before positioning the flashing. Set the Silicone Splice Sleeve into the sealant.
- Tool sealant tight as shown in **Detail 43**, squeezing the sheet flat with a seam roller.



Detail 42



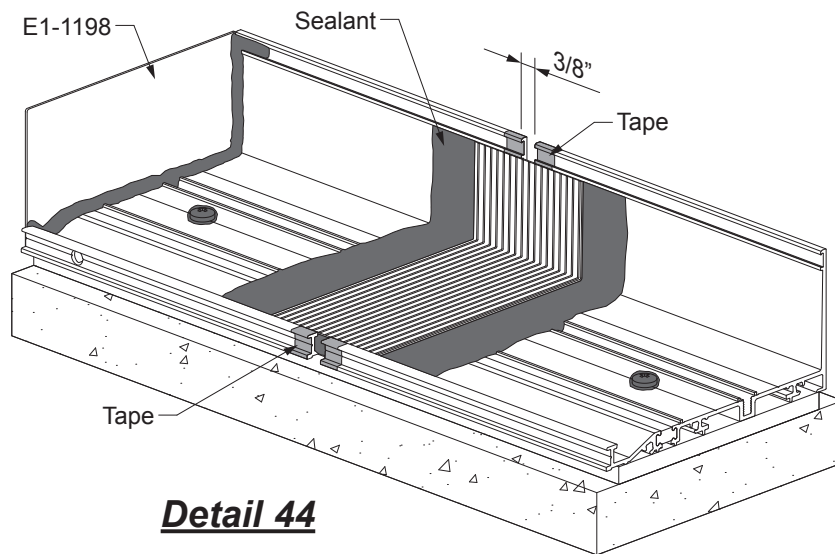
Detail 43



FRAME INSTALLATION

STEP 24 (Continued) INSTALL SILL FLASHING SPLICE SLEEVE

-Thoroughly seal the small joint directly in front of the Silicone Splice Sleeve as shown in **Detail 44**.



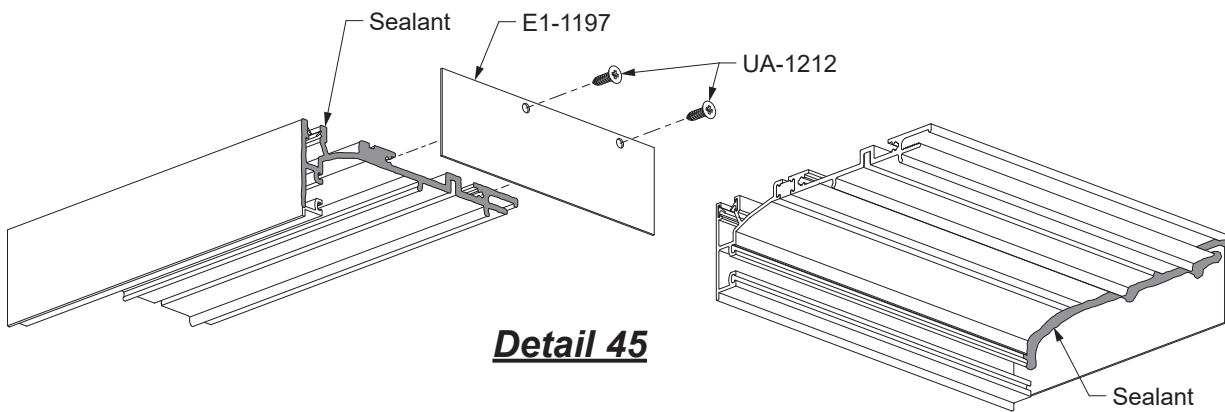
FRAME INSTALLATION

**STEP 25
SLAB EDGE COVER INSTALLATION**

Slab edge covers are installed from the head of the lowest elevation on upward. The head receptors are installed first, then slab edge plates, then the BE9-2735 sill flashings with the E9-8222 slab edge adaptors.

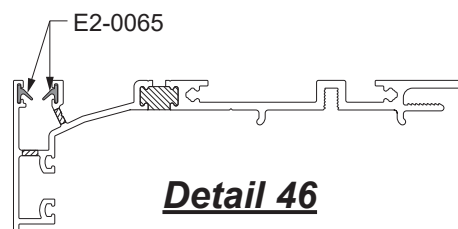
**STEP 25A
INSTALL HEAD RECEPTOR END DAMS & WEATHERING GASKETS**

- Clean all joint surfaces using cleaner approved by sealant manufacturer.
- Apply sealant to the end of the head receptor as shown in **Detail 35**.
- Fasten the end dam to the head receptor with two UA-1212 screws, starting at the back, followed by the front.
- Tool sealant along the joint between the end dam and the end dam as shown in **Detail 45**.
- Tape down the top corners to hold the end cap in place until the sealant cures.



Detail 45

- Cut the E2-0065 slab edge weathering gaskets to head receptor length. Insert the gaskets into the slab edge reglets in the orientation as shown in **Detail 46**.

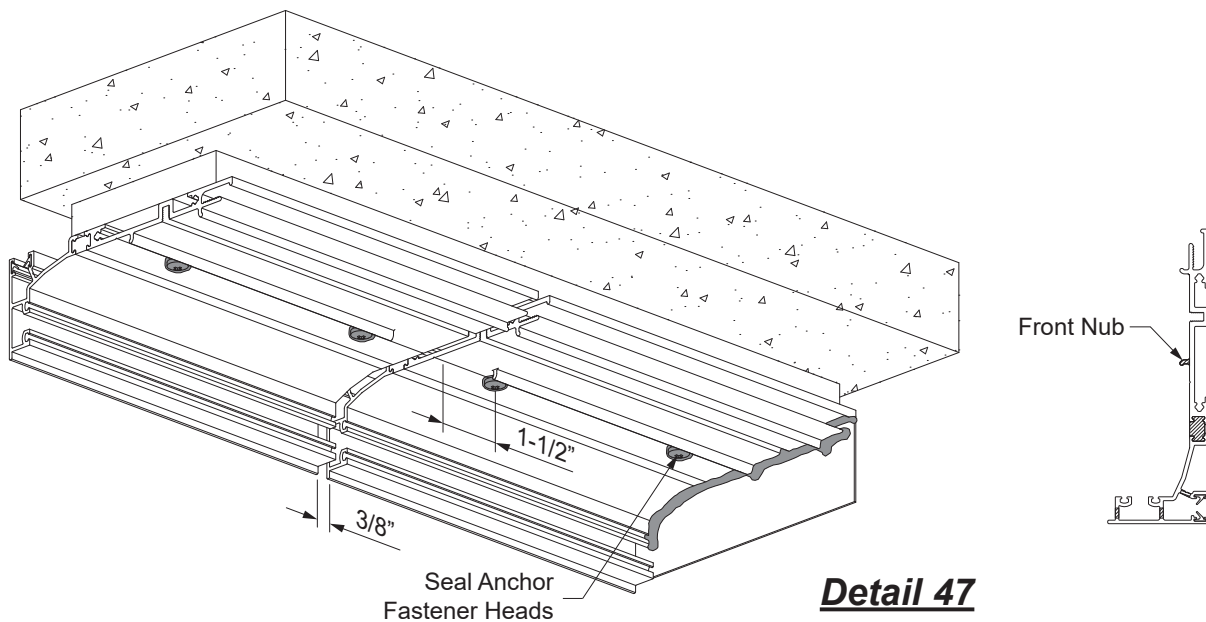


Detail 46

FRAME INSTALLATION

STEP 25B INSTALL HEAD RECEPTOR

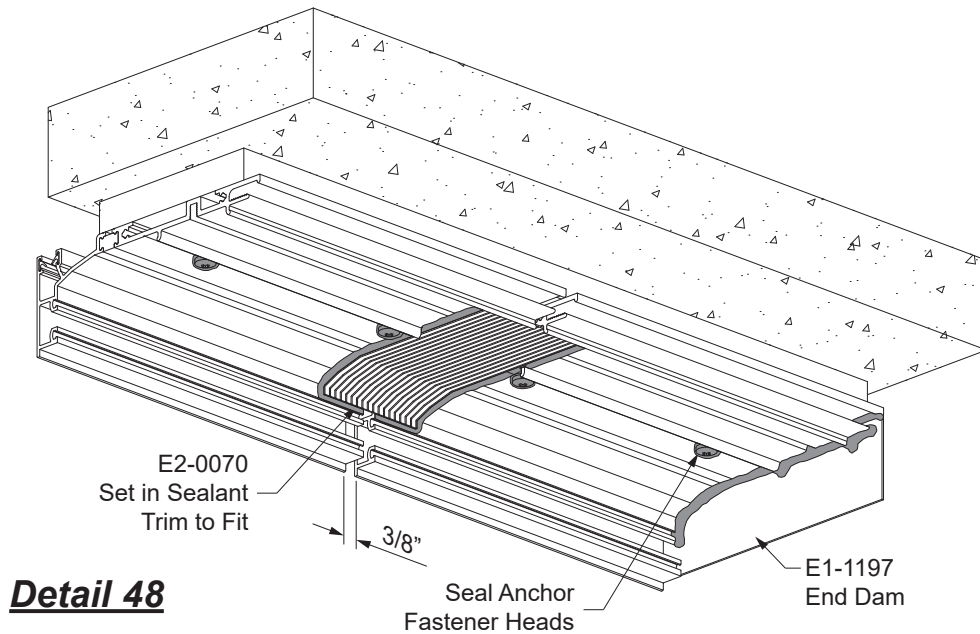
- Starting at the smallest opening height, install the head receptor with a minimum of 5/8" shim underneath. Head receptor must be installed level.
 - Anchor the head receptor to the structure according to approved shop drawings and or P.E. calculations.
 - Apply and tool sealant to the heads of all fasteners.
- Remove the front nub with a chisel or pliers on both sides of the splice joint 1-1/2" as shown in **Detail 47**.



FRAME INSTALLATION

STEP 25B (Continued)
INSTALL HEAD RECEPTOR

- Position the Silicone Splice Sleeve against the front wall inside the head receptor, centered on the splice joint. Trim the splice sleeve at the rear nub of the head receptor.
- Clean head receptor and Silicone Splice Sleeve with isopropyl alcohol at the splice location.
- Seal the receptor at the splice location as shown in **Detail 48**, before positioning the flashing. Set the Silicone Splice Sleeve into the sealant.
- Tool sealant tight as shown in **Detail 48**, squeezing the sheet flat with a seam roller.



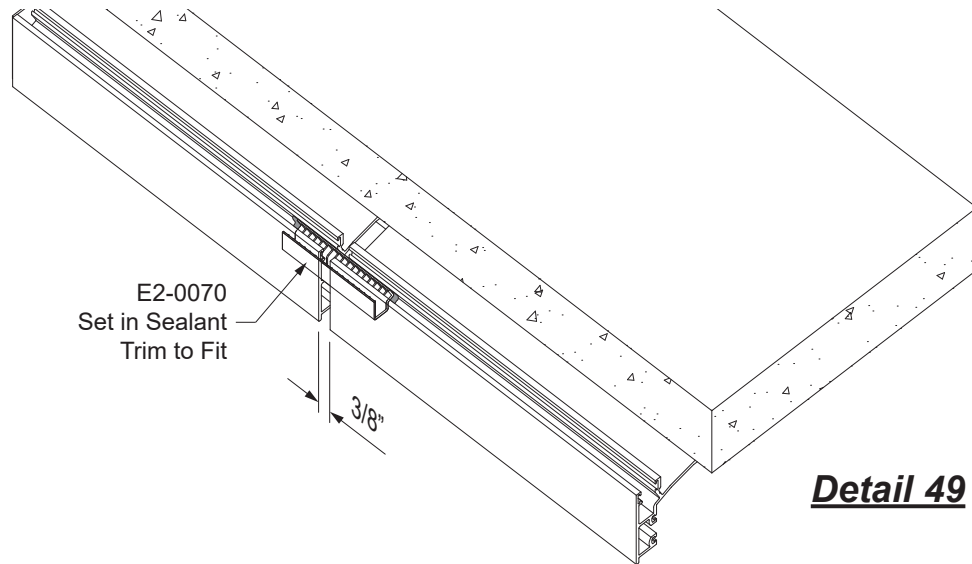
Detail 48

FRAME INSTALLATION

STEP 25B (Continued)
INSTALL HEAD RECEPTOR SPLICE SLEEVE

-At the slab edge receptacle of the head receptor, position an E2-0070 silicone splice sleeve centered on the splice joint, trim to fit in the receptacle. Do not allow the splice sleeve to interfere with the gasket reglets. Set the splice sleeve in sealant, similar to the procedure previously outlined for the underside of the head receptor.

See **Detail 49**.

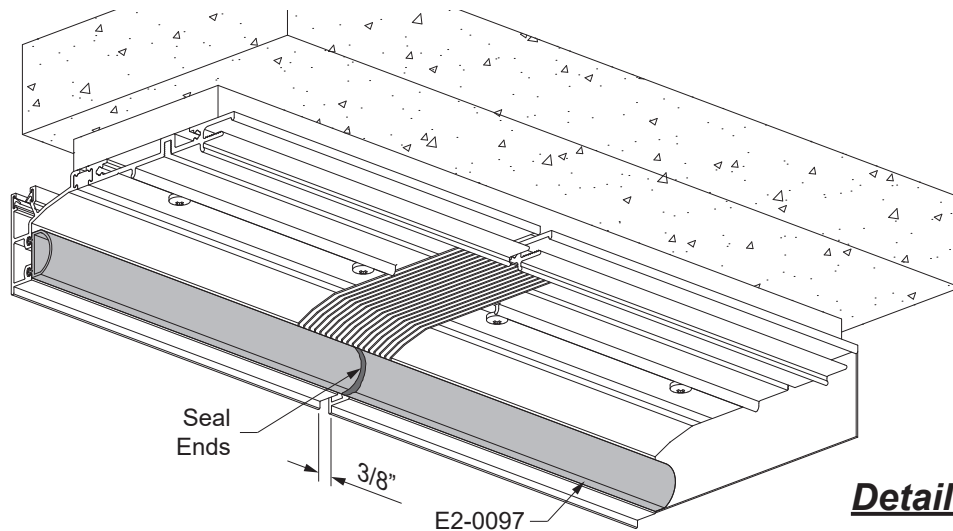


Detail 49

STEP 25B (Continued)
INSTALL HEAD RECEPTOR GASKETS

-Cut the E2-0097 head receptor gasket to receptor length plus 3/16" at each end for the splice joint.
 -Insert the D-gasket into the head receptor as show, and seal the ends together at the splice joint.

See **Detail 50**.



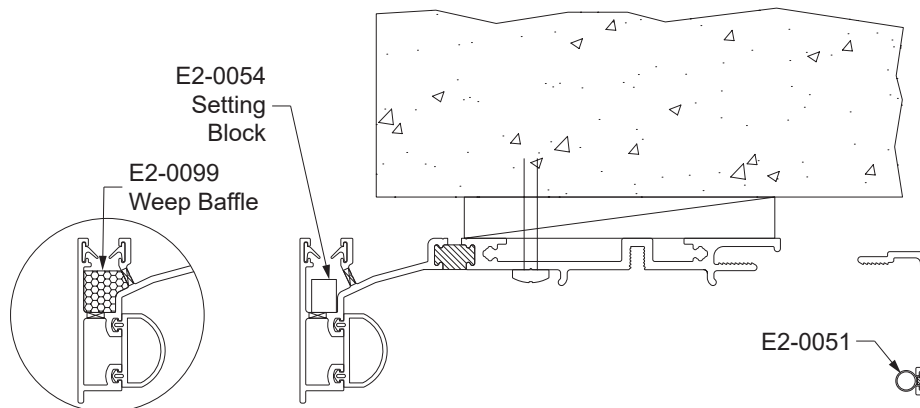
Detail 50

FRAME INSTALLATION

**STEP 25B (Continued)
INSTALL HEAD RECEPTOR GASKETS**

- Install E2-0054 setting blocks at 1/4 points of the aluminum plate.
- Install a weep baffle, E2-0099, over every weep hole location.
- Install gasket, E2-0051 onto the head receptor snap cover. Do not install the snap cover yet.

See **Detail 51**.

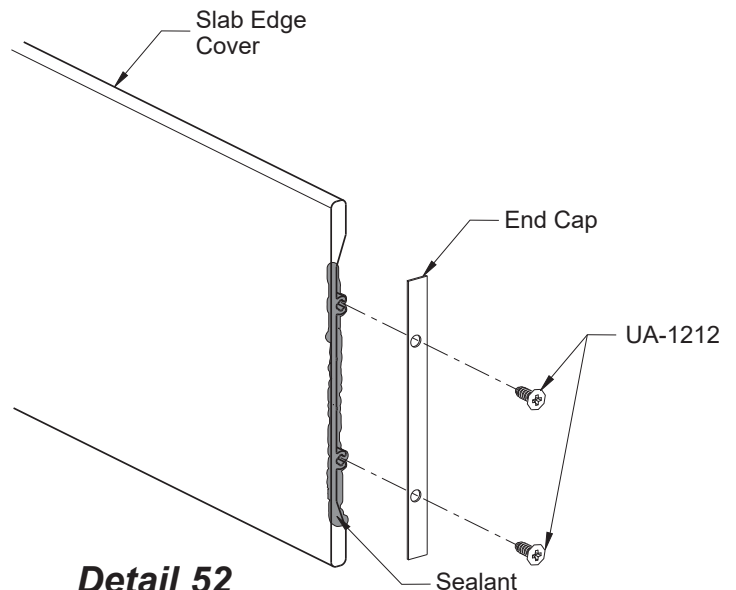


Detail 51

**STEP 25C
ASSEMBLE SLAB EDGE COVER PLATES**

- Clean the ends of the slab edge cover and attachment areas of end caps using a cleaner approved by sealant manufacturer.
- Apply and tool sealant to each end of the slab edge cover prior to attaching the end caps.
- Attach end caps to each end of the slab edge cover using (2) UA-1212 fasteners.
- Tool and wipe away any excess sealant at the joints.

See **Detail 52**.



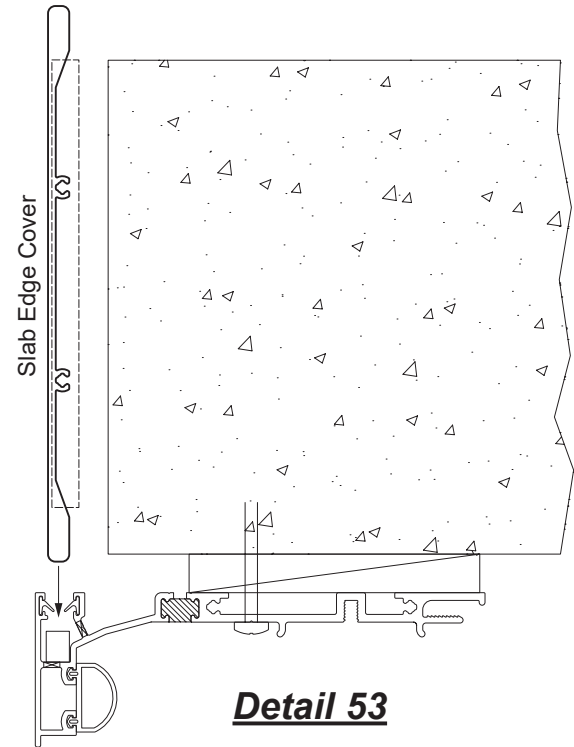
Detail 52

FRAME INSTALLATION

STEP 25D INSTALL SLAB EDGE COVER FASCIA

- Slide the slab edge cover plate into the head receptor receptacle, seating it on top of the setting blocks.
- Be sure to leave a 3/8" joint between the plates for runs longer than 24'-0".

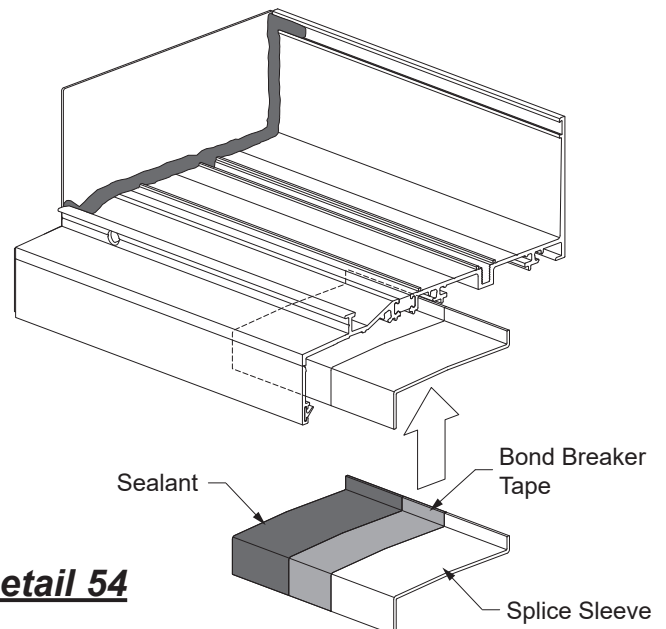
See **Detail 53**.



STEP 25E INSTALL SILL FLASHING SPLICE SLEEVE FOR SLAB EDGE COVER

Before installing the sill flashing, install an E1-9959 splice sleeve at the underside of the sill flashing and slab edge adaptor.

- Apply bond breaker tape down the middle of the splice sleeve and sealant to one side of the splice sleeve as shown in **Detail 54**.
- Adhere the sealed half of the splice sleeve to the underside of the sill flashing.

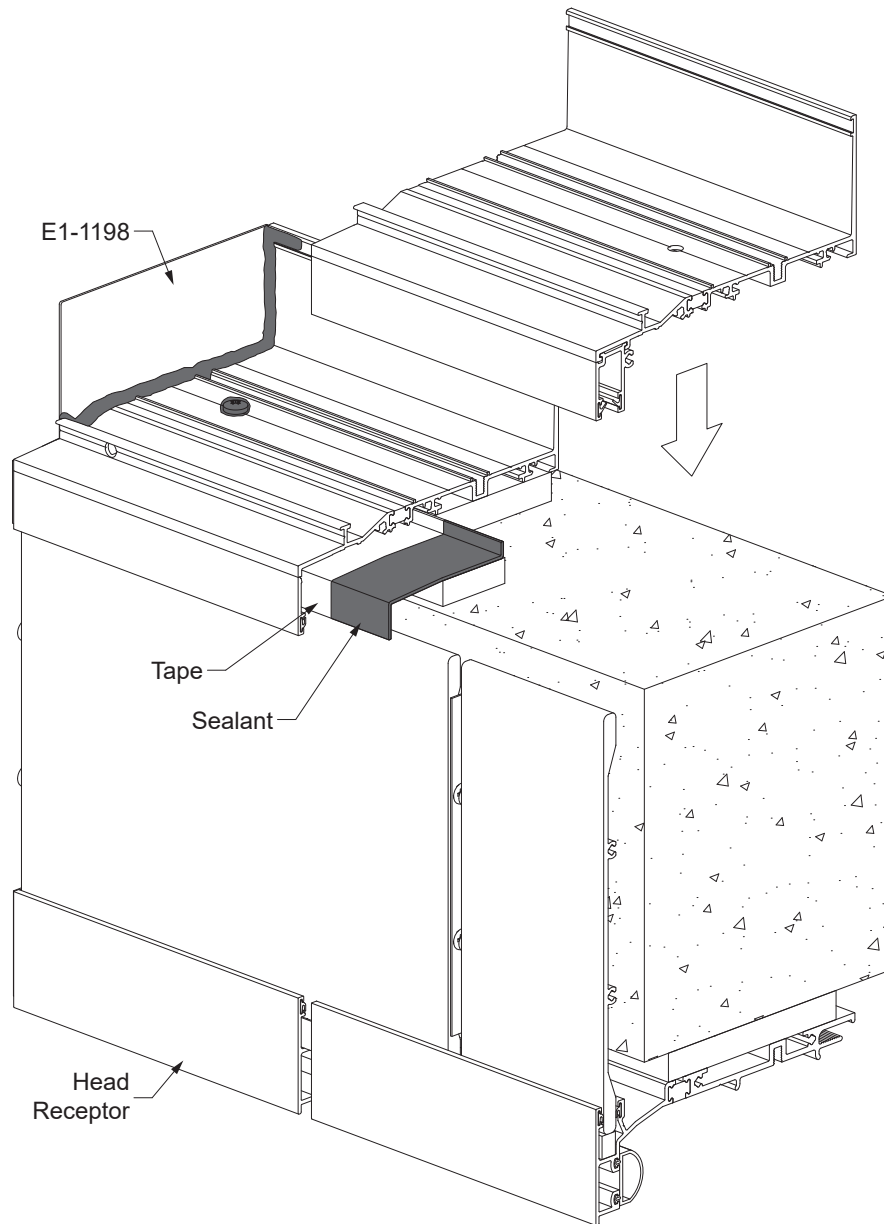


FRAME INSTALLATION

STEP 25E (Continued)

INSTALL SILL FLASHING SPLICE SLEEVE AT SLAB EDGE

- Install the sill flashing assembly onto the substrate, engaging the slab edge cover plates below and sealing all anchor fastener heads.
- Install the next slab edge sill flashing assembly onto the splice sleeve as shown in **Detail 55**. Be sure to leave a 3/8" joint between the sill flashing assemblies.



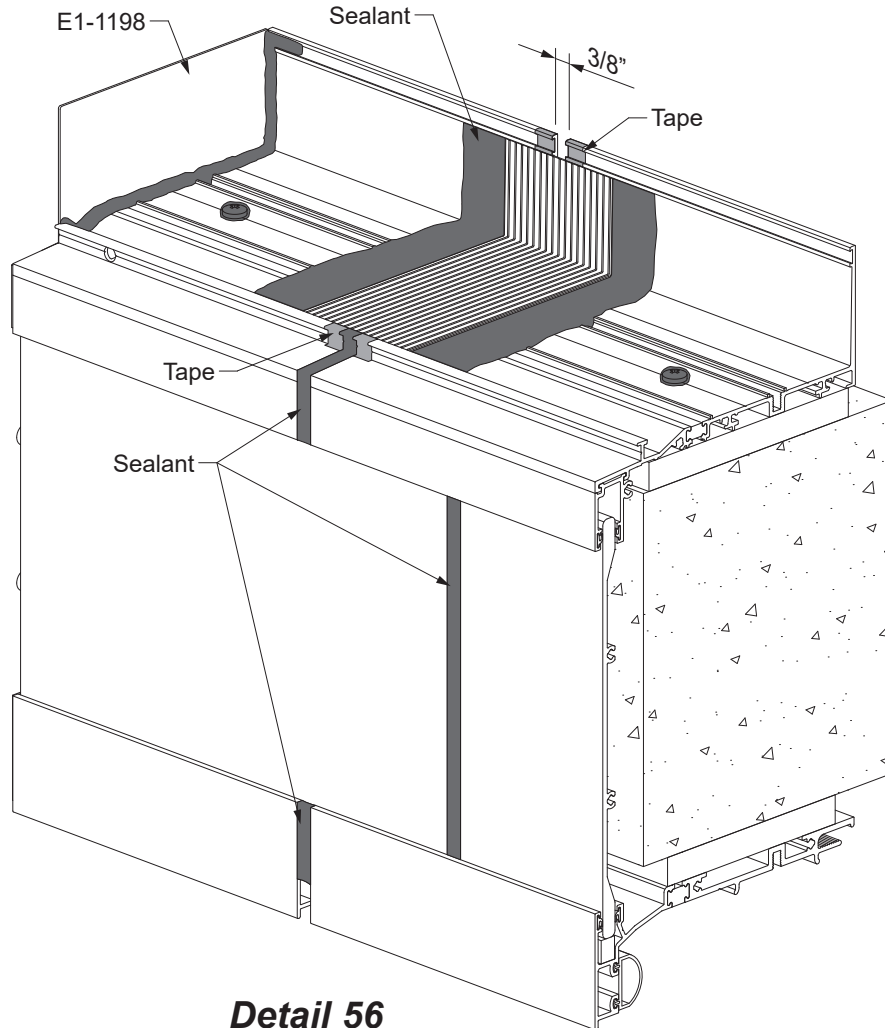
Detail 55

FRAME INSTALLATION

STEP 25E (Continued)

INSTALL SILL FLASHING SPLICE SLEEVE AT SLAB EDGE

-Installation of the E2-0070 splice sleeve is the same as previously outlined in **Step 24**, except to apply sealant to the joint at the slab edge cover plate, adaptor, and head receptor as shown in **Detail 56**.



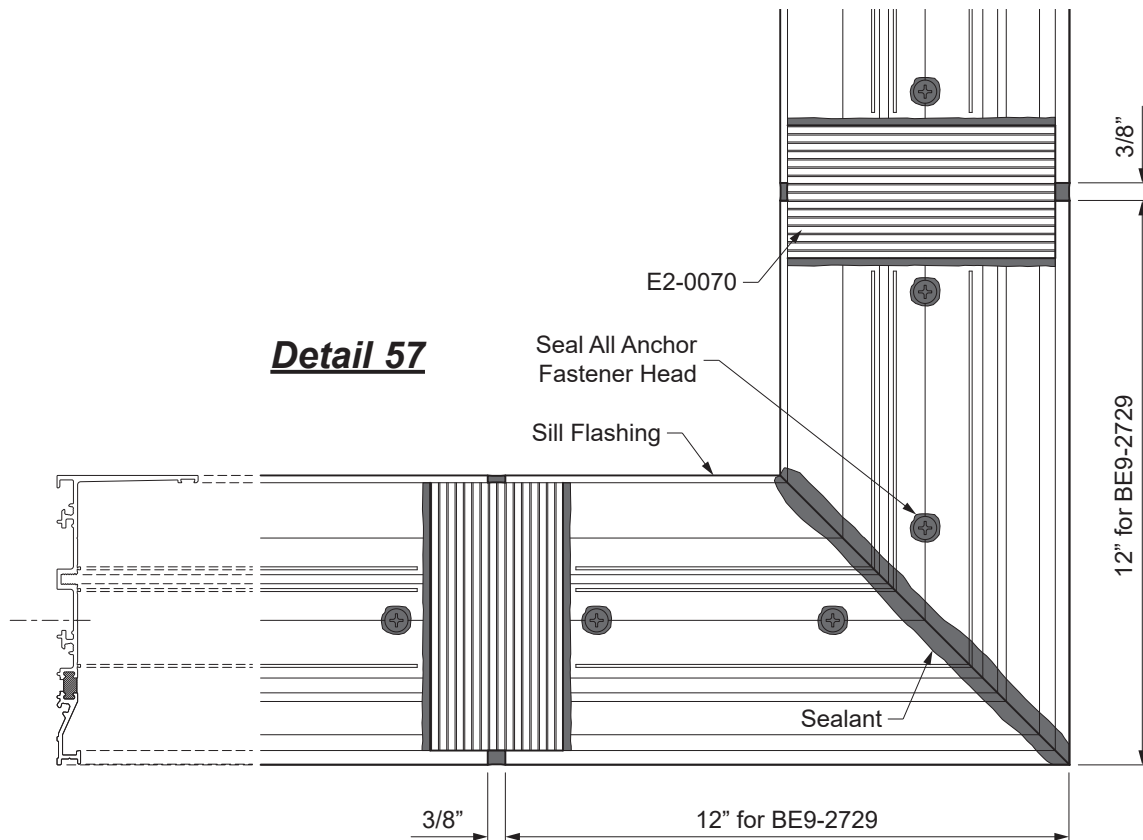
FRAME INSTALLATION

**STEP 26
INSTALL BE9-2729 SILL FLASHING AT CORNERS**

- Cut two 12" long pieces of sill flashing and miter(45° for 90° corners).
- Align the two pieces at the corner condition with the mitered ends pushed together tight and anchor the sill flashing as indicated on the approved shop drawings and or P.E. calculations.
- Apply and tool sealant to the mitered joint and anchor heads.

See **Detail 57**.

- Continue installing the rest of the sill flashing providing a 3/8" expansion joint at splices as shown in **Step 23 & 24 on Page 38 & 39**.



FRAME INSTALLATION

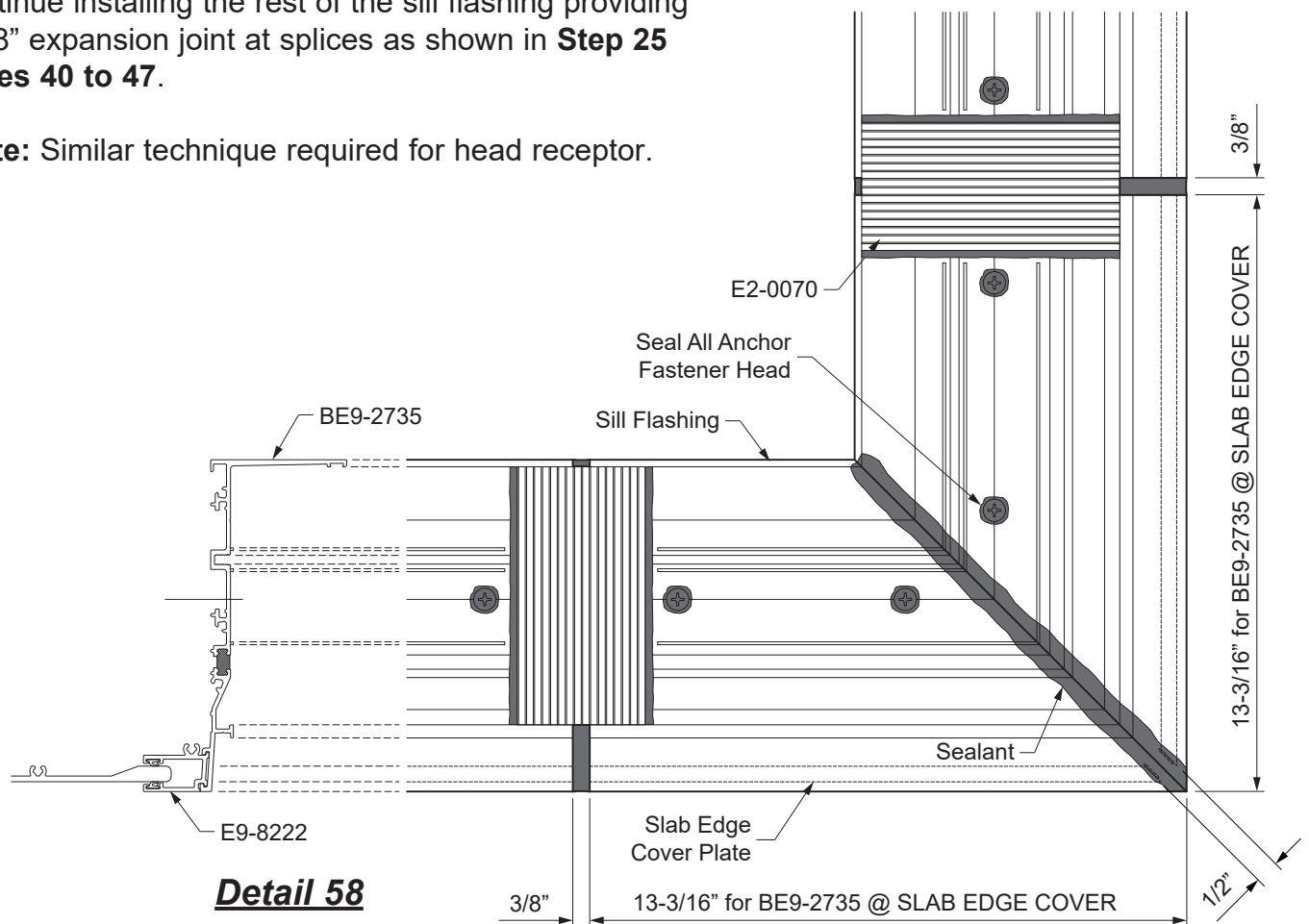
STEP 26A
INSTALL BE9-2735 SILL FLASHING AT CORNERS *

- Cut two 13-3/16" long pieces of BE9-2735 sill flashing and E9-8222 slab edge cover adaptor, and miter (45° for 90° corners). The head receptor that is to be installed below will also receive the same miter cut fabrication.
- Install the head receptor using similar procedure as previously described for the sill flashing.
- Miter cut the slab edge cover plates 45° for 90° corners, such that upon installation, they leave a 1/2" gap at the corner.
- Fasten end caps onto the edge of the slab edge cover plates.
- Install the slab edge plates onto the setting blocks of the head receptor below.
- Align the two pieces of the BE9-2735 sill flashing at the corner condition with the mitered ends pushed together tight and anchor the sill flashing as indicated on the approved shop drawings and or P.E. calculations.
- Apply and tool sealant to the mitered joint and anchor heads.

See **Detail 58**.

- Continue installing the rest of the sill flashing providing a 3/8" expansion joint at splices as shown in **Step 25 Pages 40 to 47**.

* **Note:** Similar technique required for head receptor.

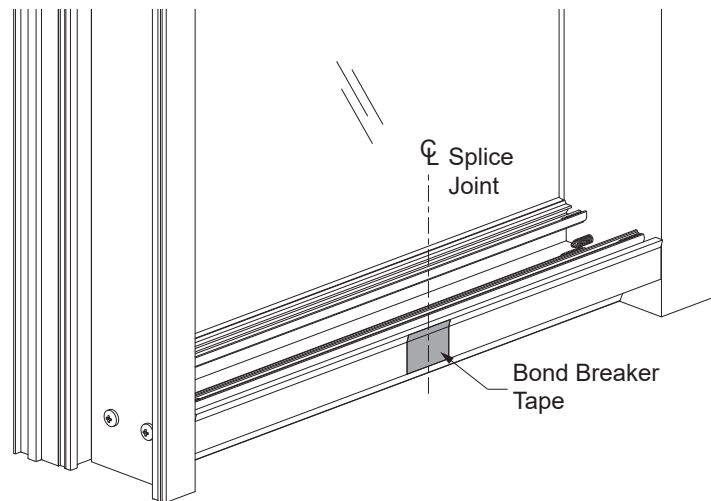


Detail 58

FRAME INSTALLATION**STEP 27
SILL PREPARATION**

At every splice condition, apply bond breaker tape to the back of the sill member before the joint is sealed between the sill and sill flashing.

See **Detail 59**.



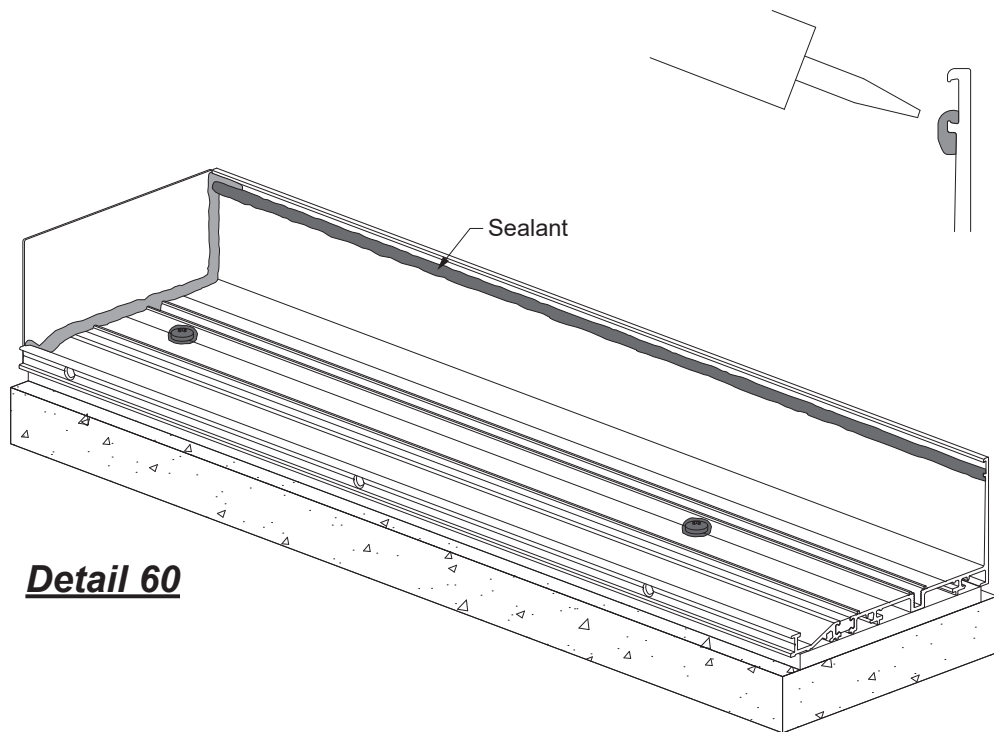
Detail 59

FRAME INSTALLATION

STEP 27 (Continued)
SILL PREPARATION

- Frame installation begins at the left jamb unit, working to the right. The female mullion half of the next unit engages into the male mullion half of the previously installed unit, from the front.
- Just prior to installing the first framing unit, apply sealant to the bottom lip at the back of the sill flashing as shown in **Detail 60**, immediately where the unit is to be installed.

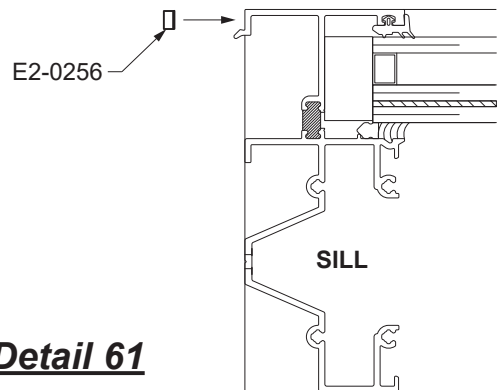
Note: Overfilling this area will not allow engagement of the sill into the flashing.



Detail 60

- Cut E2-0256 to the full length of the sill member and adhere it to the bottom of the sill at the face of the sill member.

See **Detail 61**.



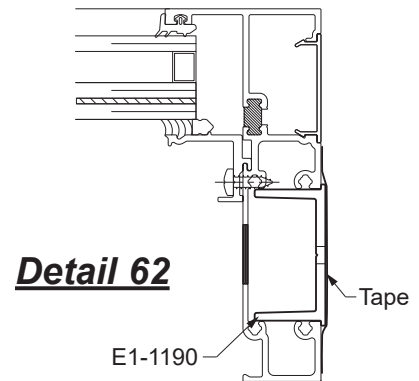
Detail 61

FRAME INSTALLATION

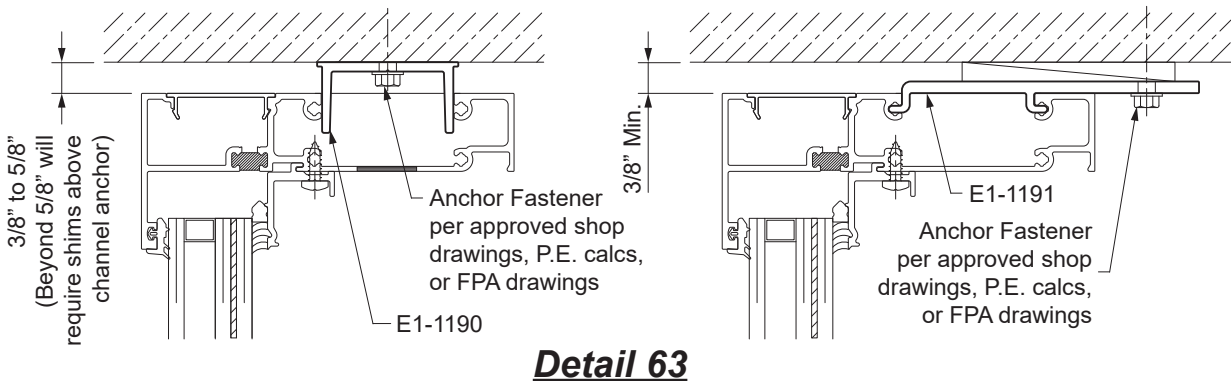
**STEP 28
INSTALL FRAMES**

Note: For impact glazing, channel or strap anchors are cut to Daylight Opening minus(-) 1/8" or per P.E. calculations.

- For frames that utilize the E1-1190 channel shaped head anchor, secure the anchor to the head using masking tape as shown in **Detail 62** prior to installation into the frame opening.
- Set the frame into place. See **Detail 63** for shim space at head.
- Taking care to ensure the framing unit is plumb, level, square, and true, anchor the framing unit to the substrate, first at the head using fasteners as specified by engineering calculations.



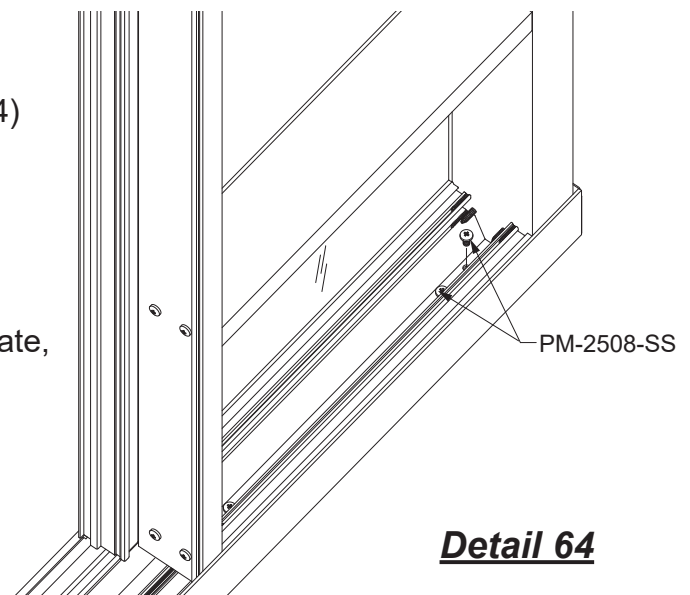
See **Detail 63**.



-Then fasten the sill to the sill flashing using four (4) PM-2508-SS screws at 1-1/2" and 3" from each end of the sill.

See **Detail 64**.

-Then anchor the jamb strap anchors to the substrate, if applicable.

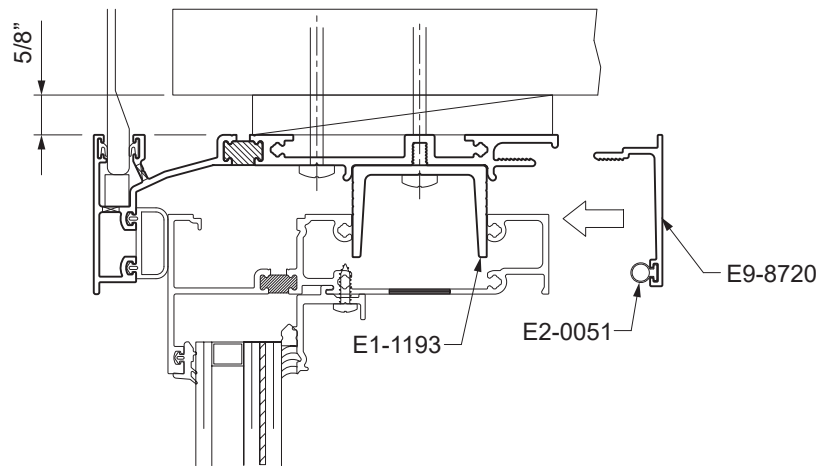
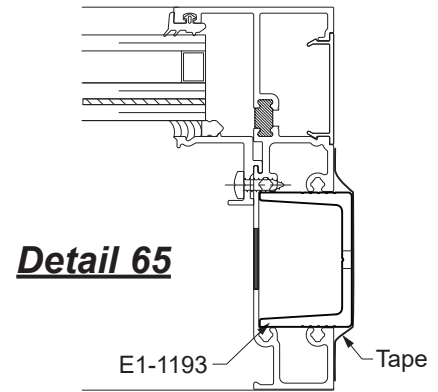


FRAME INSTALLATION

STEP 28 (Continued)
 INSTALL FRAMES WITH SLAB EDGE COVER

Note: For impact glazing, the E9-2744 channel anchors are cut to Daylight Opening minus(-) 1/8" or per P.E. calculations.

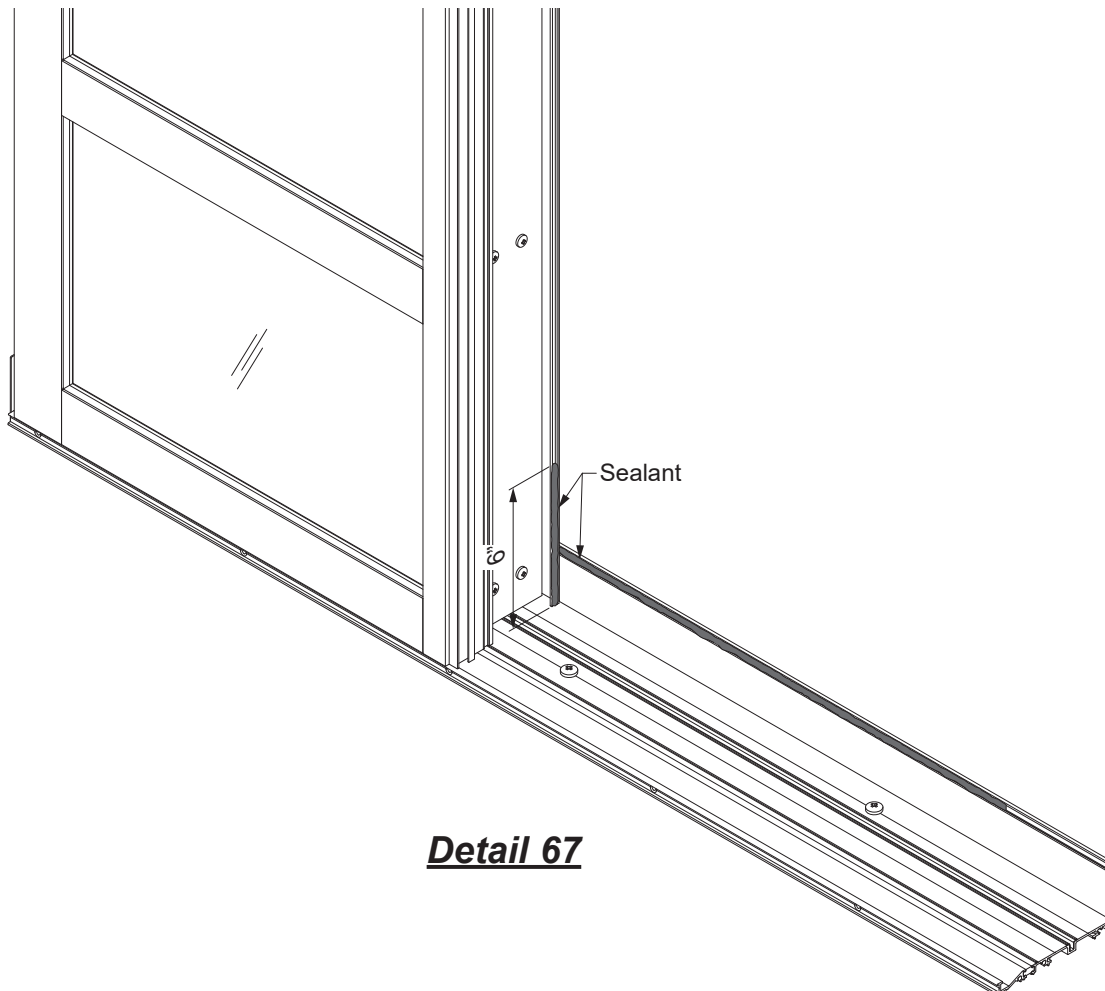
- For frames with slab edge cover, secure the E1-1193 anchor to the head using masking tape as shown in **Detail 65** prior to installation into the frame opening.
- Set the frame into place. See **Detail 66** for shim space at head.
- Taking care to ensure the framing unit is plumb, level, square, and true, anchor the framing unit to the head receptor using fasteners as specified by engineering calculations.
- Installation of the anchor fasteners at the jambs and sill is the same as previously outlined on **Page 52**.
- Snap the interior cover onto the head receptor.



Detail 66

FRAME INSTALLATION**STEP 28 (Continued)
INSTALL FRAMES**

- Just prior to installing the next unit, apply sealant to the back of the male mullion where it will interface with the female mullion of the next unit (from bottom of mullion and 6" up.)
- Apply sealant to the back of the sill flashing as shown in **Detail 67** immediately where the next unit is to be installed.

**Detail 67**

FRAME INSTALLATION

STEP 28 (Continued)
INSTALL FRAMES

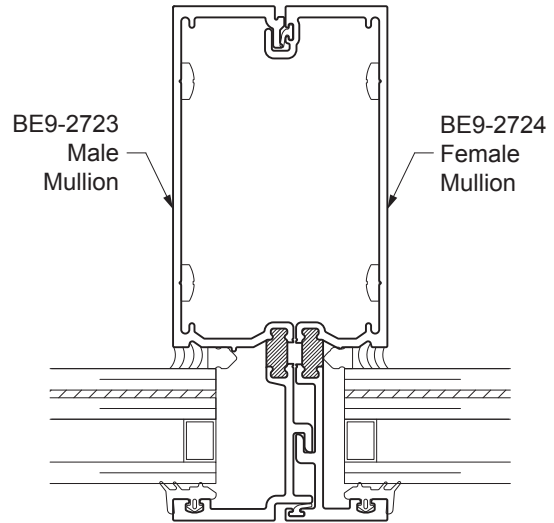
-Install the next framing unit, taking care to ensure that the unit is plumb, level, square, and true, and that the female mullion fully interfaces with the male mullion from the previous unit.

See **Detail 68 & 68A**.

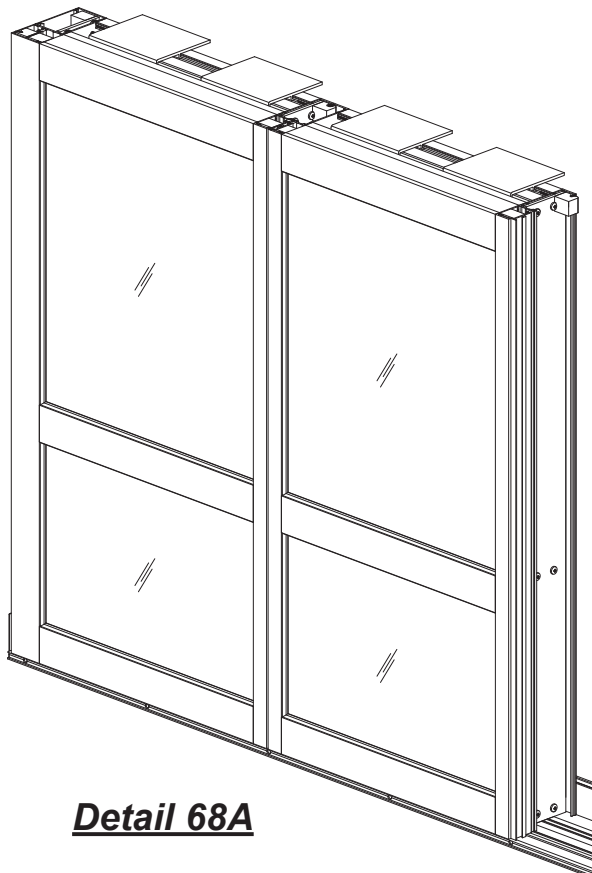
-Fill the void between the two units at the back of the sill flashing with sealant.

See **Detail 69**.

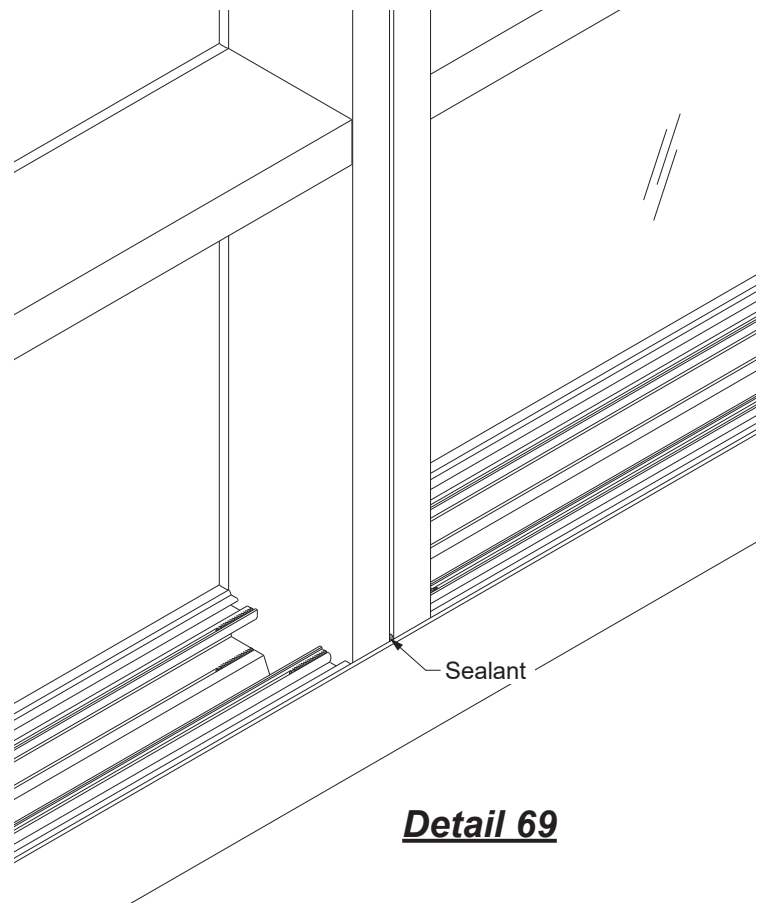
-Repeat **Step 23** until all units are installed.



Detail 68



Detail 68A



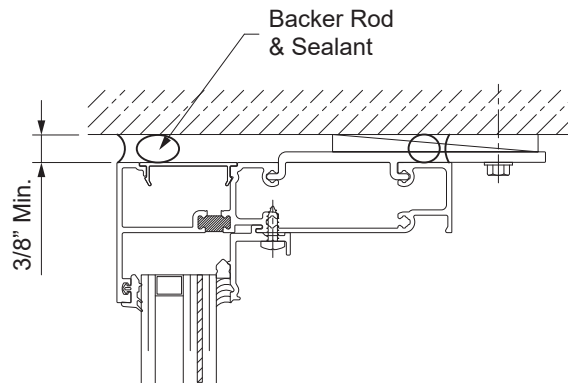
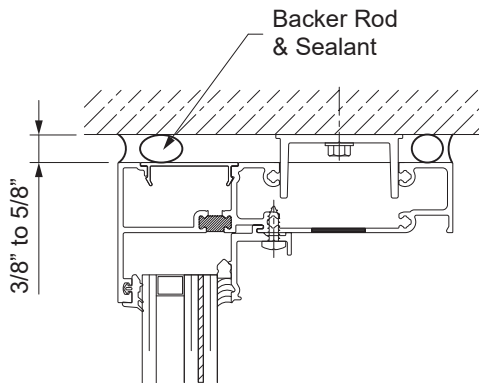
Detail 69

FRAME INSTALLATION

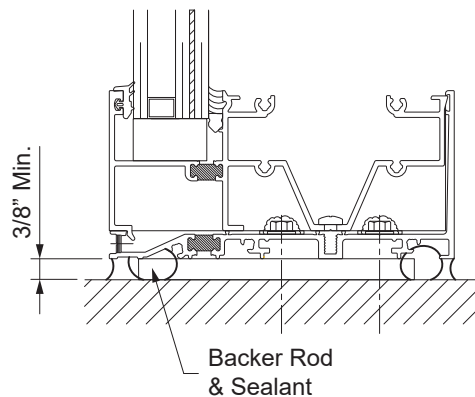
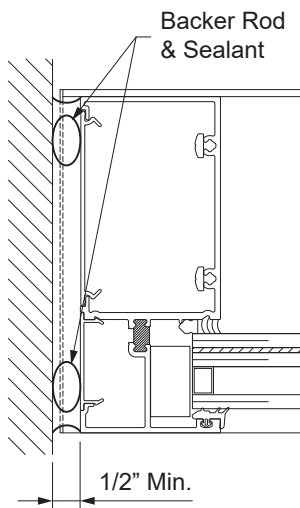
**STEP 29
APPLY PERIMETER SEALANT**

- Once all the units are installed in the frame unit, apply perimeter sealant required on interior and exterior of the window wall system.
- Install backer rod around the perimeter of the frame.
- Apply perimeter sealant to the joint between the frame and the structure.
- Do not** seal sill flashing weep holes.

See **Detail 70**.



Detail 70

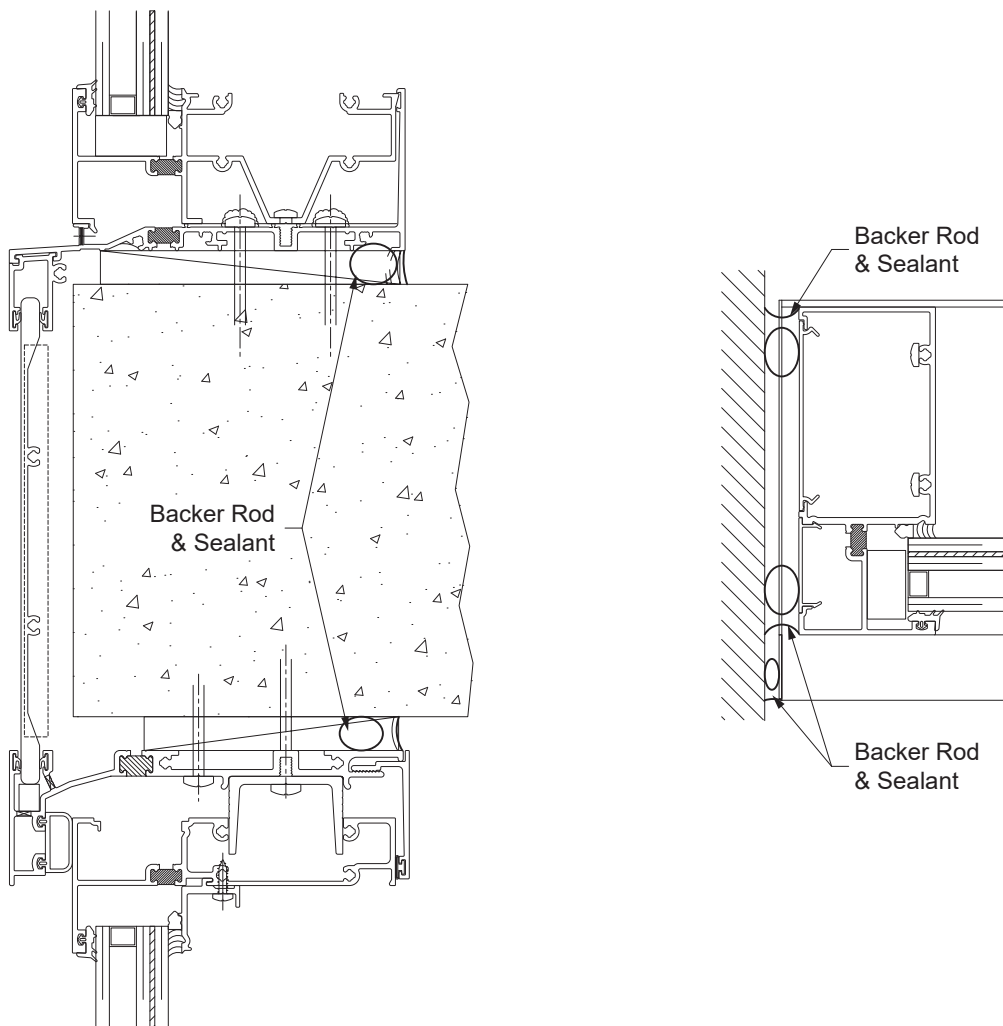


FRAME INSTALLATION

STEP 29A APPLY PERIMETER SEALANT AT SLAB EDGE COVERS

- For slab edge covers at the head and sill, install a backer rod and apply sealant to the back of the sill flashing and head receptor.
- Tool sealant prior to skinning over.
- Install a backer rod and seal the jamb edge of the slab edge covers.

See **Detail 71**.

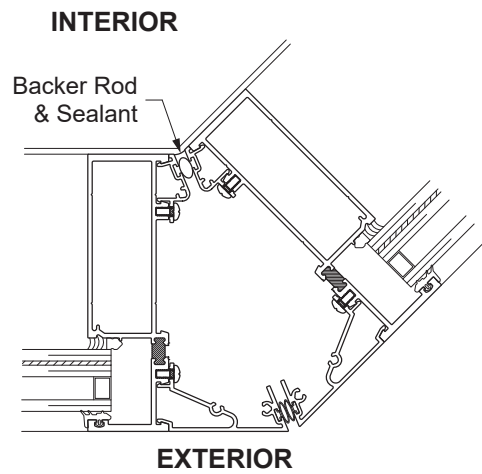
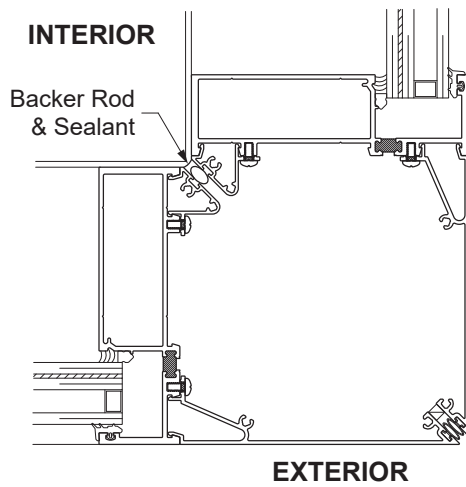
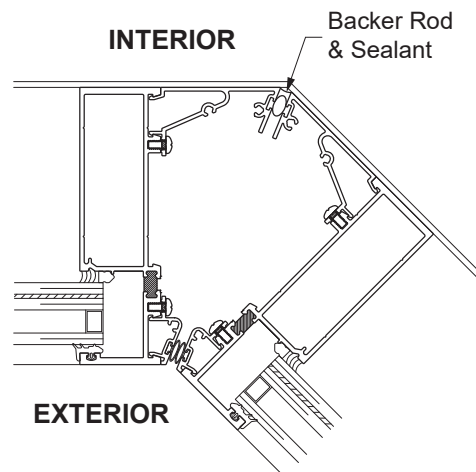
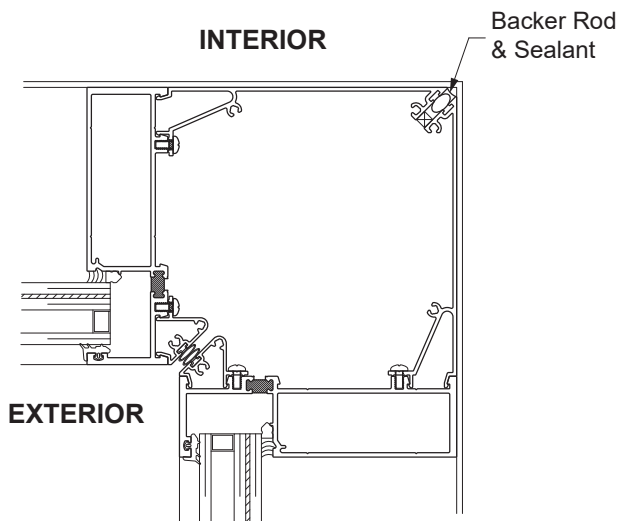


Detail 71

FRAME INSTALLATION**STEP 29B
APPLY SEALANT AT CORNER MULLIONS**

-Apply backer rod and sealant the at the interior of the corner mullion, the full height of the mullion.
Do not seal the exterior side.

See **Detail 72**.

**Detail 72**

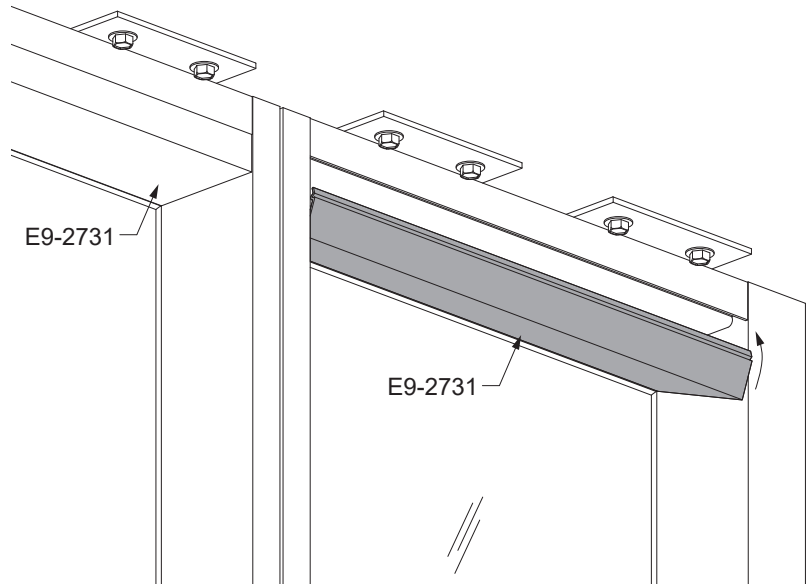
FRAME INSTALLATION

STEP 30
INSTALL INTERIOR COVERS

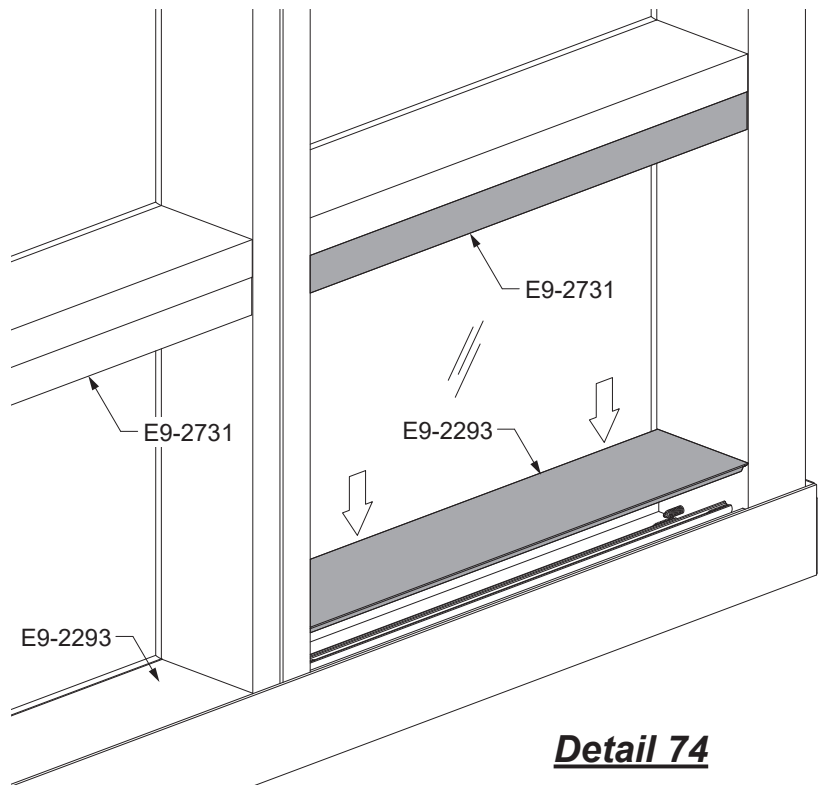
-Snap on the interior covers at the head, horizontals, and sills.

- E9-2731 @ head & horizontals
- E9-2293 @ sill

See **Details 73 & 74.**



Detail 73



Detail 74

 **YKK AP America Inc.**

101 Marietta Street NW

Suite 2100

Atlanta, Georgia 30303

www.ykkap.com