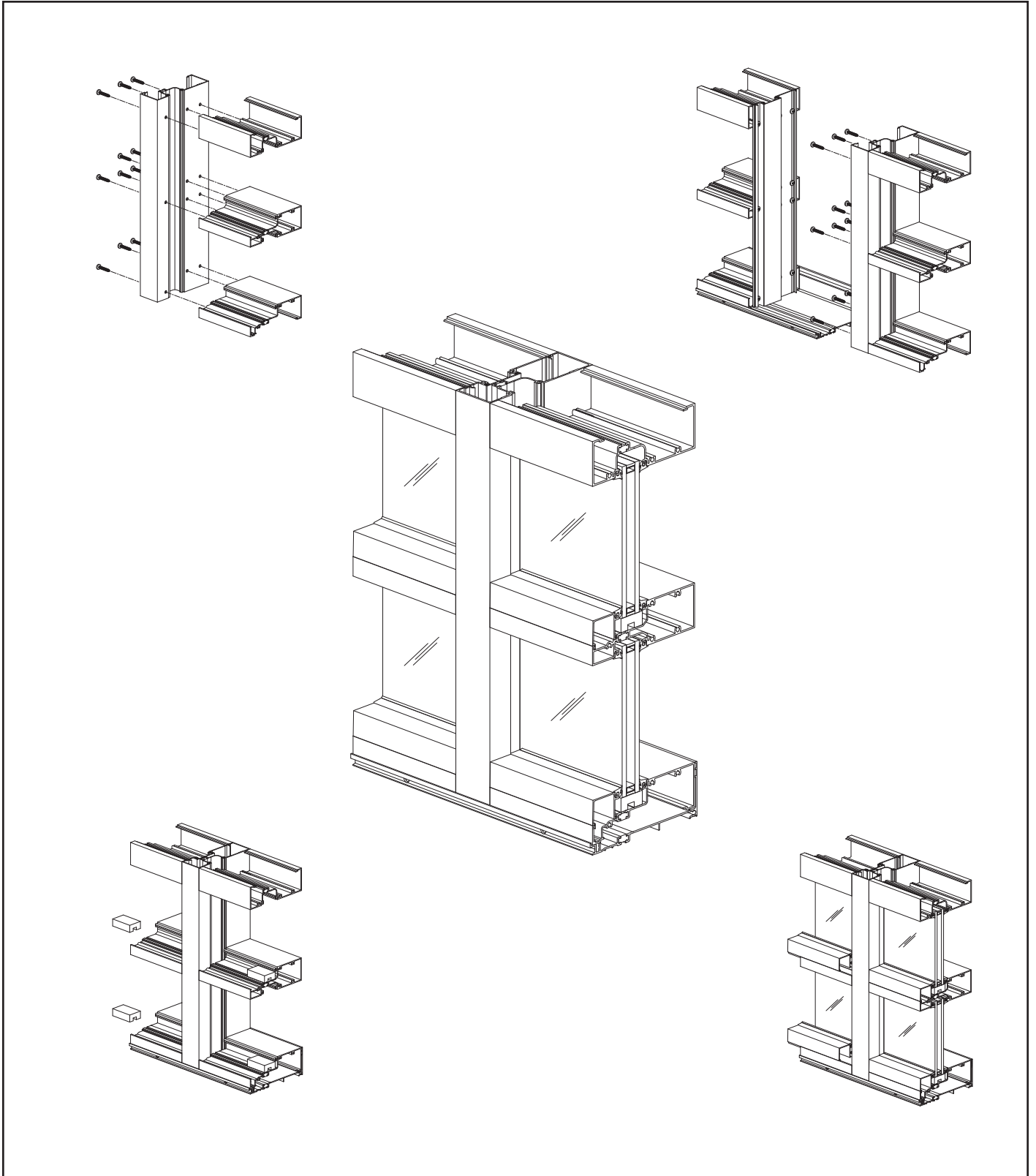


YES 60 FI/TU Storefront System



Installation Manual


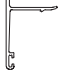






















TABLE OF CONTENTS

Installation Notes	Page ii
PARTS DESCRIPTION	
YES 60 FI Framing Members	Page 1
YES 60 TU Framing Members	Page 2
YES 60 FI/TU Door Framing Members	Page 3
YES 60 FI/TU Accessories	Page 4
FRAME FABRICATION	
Determine Frame Size	Page 5
Fabricate Two Piece Mullions for Screw Spline Assembly	Page 6
Fabricate Head, Horizontal & Sill Members	Page 7
Fabricate Glass Stops & Glazing Adaptors	Page 7
Fabricate Sill Members	Page 8
Fabricate Sill Flashing	Pages 8 to 10
FRAME ASSEMBLY	
Assemble Frames For Screw Spline Assembly	Page 11
FRAME INSTALLATION	
Install Sill Flashing End Dams	Page 12
Install Sill Flashing	Page 13
Install Sill Flashing Splice Sleeve	Pages 13 & 14
Sill Preparation	Page 14
Install Sill Flashing for Corners	Page 15
Prepare Door Jambs	Page 16
Install Frames	Page 17
Install Expansion Mullions Where Required	Page 18
Install Corner Corner Assemblies	Page 19 & 20
Install Optional Compound Vertical Mullions	Pages 21 & 22
Apply Perimeter Sealant	Page 23
Install Water Deflectors	Page 24
Apply Internal Sealant	Page 25
Install Glazing Adaptors	Page 25
Install Optional Compound Horizontals	Pages 26 to 28
GLAZING	
Install Interior Glazing Gaskets	Page 29
Install Glass	Page 30
Install Anti-Walk Blocks	Page 31
Install Exterior Glass Stops & Gaskets	Page 31

Installation Notes





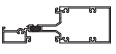












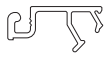






1. Do not drop, roll or drag boxes of aluminum framing. Move and stack boxes with proper support to prevent distortion. If fork lifts are used be especially careful about striking the boxes when lifting or moving.
2. Store in a dry, out of the way area. If rain exposure, condensation or any water contact is likely, then all packaging material should be removed. Wet packaging materials will discolor and may stain aluminum finishes and paints.
3. All materials should be checked for quality and quantity upon receipt, YKK AP must be notified immediately of any discrepancies in shipment. Check to make sure that you have the required shims, sealants, supplies and tools necessary for the installation.
4. Carefully check the openings and surrounding conditions that will receive your material. Remember, if the construction is not per the construction documents, it is your responsibility to notify the general contractor in writing. Any discrepancies must be brought to the general contractor's attention before you proceed with the installation.
5. Gather your shop drawings, materials, packing list, and this installation manual. Carefully review parts location, the sequence it goes therein, when you glaze it and how you seal it. Installation instructions are of a general nature and may not cover every condition you will encounter. The shop drawings and/or installation manuals were prepared specifically for the product.
6. Any material substitutions must be of equal or greater quality.
7. Make certain that material samples have been sent for compatibility testing for all manufacturer's sealants involved. Make certain sealants have been installed in strict accordance with the manufacturer's recommendations and specifications.
8. Remember to isolate, in an approved manner, all aluminum from uncured masonry or other incompatible materials.
9. System-to-structure fasteners are not supplied by YKK AP. Fasteners called out on shop drawings are to indicate minimum sizes for design loading.
10. Entrances are to be installed plumb, square, level, and true.
11. If any questions arise concerning YKK AP products or their installation, contact YKK AP for clarification before proceeding.
12. YKK AP storefront and/or curtain wall framing is typically completed before drywall, flooring and other products which may still be in process. Take the extra time to wrap and protect the work produced.
13. Cutting tolerances are plus zero (0"), minus one thirty second (-1/32") unless otherwise noted.
14. Check our website, www.ykkap.com, for the latest installation manual update prior to commencing work.

YES 60 FI FRAMING MEMBERS (2" x 6")

	Mullion 2" x 6"	E9-2911		Head Receptor Stop	E9-1033
	Head / Jamb	E9-2904		Expansion Mullion (Female)	Y7-9969
	Horizontal	E9-2903		Expansion Mullion (Male)	Y7-9970
	Horizontal / Sill	E9-2902		90° Corner Cover (Male)	E9-2938
	Glass Stop	E9-1015		90° Corner Cover (Female)	E9-2939
	Flat Filler	E9-2905		Adaptor for High Sill Cover	E9-2937
	Sill Flashing	E9-2901		135° Corner Mullion	E9-2940
	Heavy Duty Mullion 2" x 6"	E9-2606		Glazing Adaptor For 1/2", 5/8" & 3/4" glazing	E9-1039
	Heavy Duty Mullion 2-1/4" x 6"	E9-2943		Glazing Adaptor For 3/16", 1/4", 5/16", & 3/8" glazing	E9-1040
	Pocket Filler	E9-2907		Flush Pocket Filler	E9-1020
	Deep Pocket Filler	E9-2934		2-1/2" x 3/4" Face Cover * For Custom Mullions and Horizontals	E9-1206
	Head Receptor	E9-7361		5" x 3/4" Face Cover * For Custom Mullions and Horizontals	E9-3542

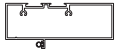









* Other sizes available. Contact YKK AP for more information.

YES 60 TU FRAMING MEMBERS (2" x 6")



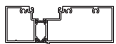


	Mullion 2" x 6"	E9-2911		Head Receptor Stop	E9-1033
	Head / Jamb	BE9-2904		Expansion Mullion (Female)	BY7-9969
	Horizontal	BE9-2903		Expansion Mullion (Male)	BY7-9970
	Horizontal / Sill	BE9-2902		90° Corner Cover (Male)	E9-2938
	Glass Stop	E9-1015		90° Corner Cover (Female)	E9-2939
	Flat Filler	BE9-2905		Adaptor for High Sill Cover	BE9-2937
	Sill Flashing	BE9-2913		135° Corner Mullion	BE9-2940
	Pocket Filler	BE9-2910		Glazing Adaptor For 1/2", 5/8" & 3/4" glazing	E9-1039
	Deep Pocket Filler	BE9-2912		Glazing Adaptor For 3/16", 1/4", 5/16", & 3/8" glazing	E9-1040
	Heavy Duty Mullion 2" x 6"	BE9-2906		Pocket Filler	BE9-2570
	Heavy Duty Mullion 2-1/4" x 6"	BE9-2943		2-1/2" x 3/4" Face Cover * For Custom Mullions and Horizontals	E9-1206
	Head Receptor	BE9-7361		5" x 3/4" Face Cover * For Custom Mullions and Horizontals	E9-3542

* Other sizes available. Contact YKK AP for more information.

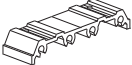







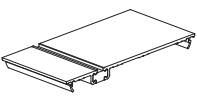

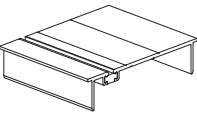
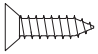
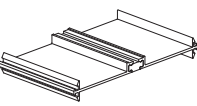
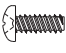
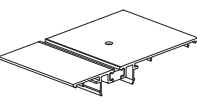

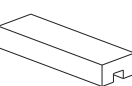






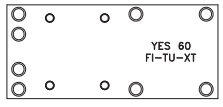
YES 60 FI/TU DOOR FRAMING MEMBERS (2" x 6")

	6" x 2" Door Head O/P	AS-9480		Door Stop O/P Assembly E9-0409 and E2-0051	AS-0409
	6" Door Jamb	AS-9562		Door Stop Base Used with AS-0409	E9-1113
	6" x 2" Door Head OHCC	E9-2945		Transom Glass Stop For 1" glazing	E9-0413
	Door Stop For OHCC	AS-0215		Transom Glazing Pocket For 1" glazing	E9-0435
	Door Stop For 35XT, OHCC	AS-0718		Threshold 1/2" x 4"	E9-0407

YES 60 TU THERMAL DOOR FRAMING MEMBERS (2" x 6")

	6" Door Jamb O/P For 25T/35T/50T E2-0051 Gasket Not included	BE9-2950		Transom Glass Stop For 1" Glazing Used with BE9-2583	E9-1592
	6" x 2" Door Head O/P For 25T/35T/50T E2-0051 Gasket Not included	BE9-2951		Threshold 1/2" x 4-1/2" For 25T/35T/50T	BE9-0465
	Transom Glazing Pocket For 25T/35T/50T Used with E9-1592	BE9-2583			

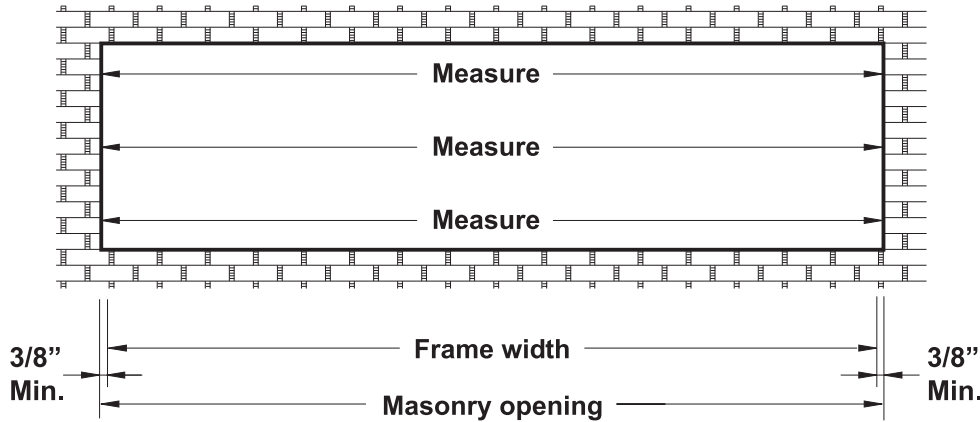
ACCESSORIES

	Shear Block For Transom Bar E9-2945	E1-0317		Glazing Gasket 3/16" F.C.	E2-0052
	End Dam For Sill Flashing BE9-2913	E1-9989		Glazing Gasket 1/8" F.C.	E2-0053
	Splice Sleeve For Sill Flashing E9-2901 & BE9-2913	E2-0070		Glazing Gasket 1/4" F.C.	E2-0064
	PVC Flat Filler 12'-0" Long	E3-9905		Elastomer Weathering For Head Receptor	E2-0051
	Flat Filler Use at all anchor locations	E1-2903		Weathering Gasket For Expansion Mullion	K2-2441
	Optional Head Anchor 4" Long	E1-2905		#10 x 3/4" FHSMS Type AB, Zinc Plated Steel For Attachment of Horizontal to Shear Block E1-0317	FC-1012
	Mullion Clip 3" Long	E1-2906		#10-24 x 1/2" PHMS Stainless Steel For Attachment of Sill to Sill Flashing	PM-1008-SS
	Sidelite Base Clip For compound horizontals, 3" Long	E1-2907		#12 x 3/4" UFHSMS Type A Zinc Plated Steel For End Dam Attachment	UA-1212
	Setting Block For outside glazed Horizontal & sill	E2-0020		#12 x 1" PHSMS Type AB, Zinc Plated Steel For Screw Spline Attachment	PC-1216
	Water Deflector	E2-0047		#12 x 1-1/4" PHSMS Type AB, Zinc Plated Steel, For Screw Spline Attachment When Using BE9-2904 as Vertical	PC-1220
	"W" Side Block For Deep Pocket	E2-0153		#12 x 1-1/4" PHSMS Type AB, Zinc Plated Steel For Attachment of Shear Block E1-0317 to Vertical	PC-1228
	Pile Weathering Seal	E2-0062		Drill Fixture	H-7204

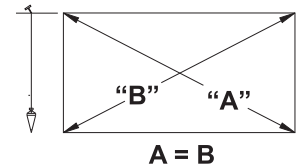
FRAME FABRICATION

STEP 1 DETERMINE FRAME SIZE

Determine Frame Width:



Note: Check the opening for squareness and plumb at both ends. Units must be installed in a true rectangle.

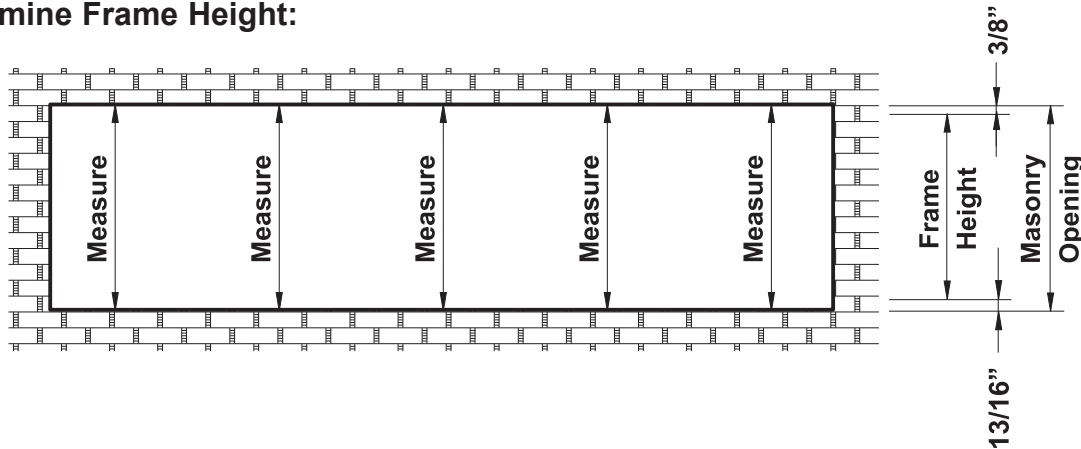


Detail 1

- Measure the width of the masonry opening at the top, middle and bottom.
- Select the smallest dimension measured and subtract 3/4" to the determine the frame width to be used. See **Detail 1**.

NOTE: Frame widths over 24'-0" require expansion mullions every 12 to 15 feet (best location at vertical next to the door jamb.)

Determine Frame Height:



Detail 2

- Measure the height of the masonry opening in several places along the entire length of the opening.
- Select the smallest dimension measured and subtract 1-3/16" to determine the frame height to be used:

Minimum 3/8" shim/caulk joint at the head.

7/16" for sill flashing.

Minimum 3/8" shim/caulk joint below the sill flashing.

See **Detail 2**.

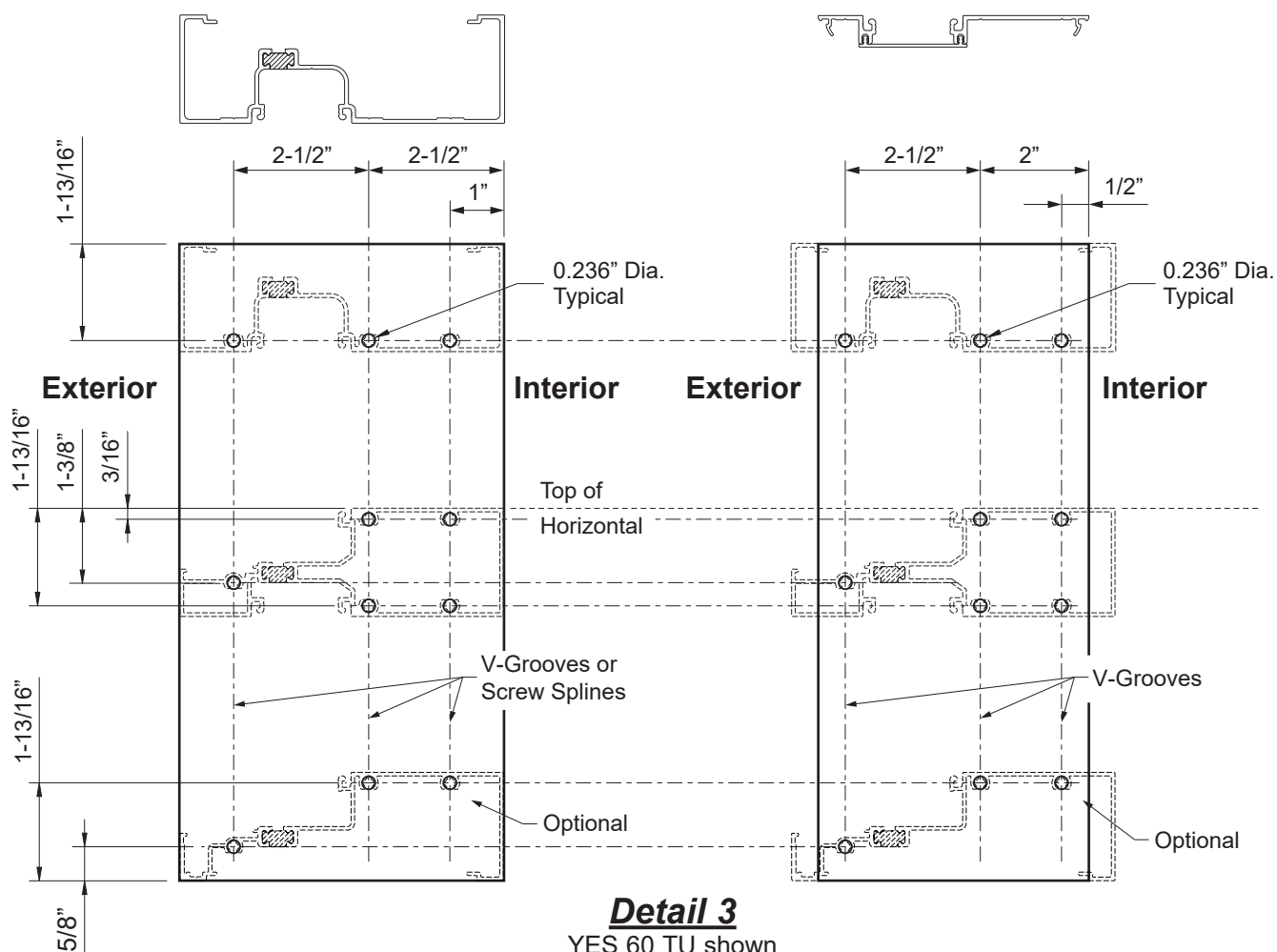
FRAME FABRICATION

**STEP 2
FABRICATE TWO PIECE VERTICAL MULLIONS
FOR SCREW SPLINE ASSEMBLY**

-Cut the two piece vertical and jamb members to the frame height determined in **Step 1**.
-Fabricate holes in vertical members for screw spline attachment using one of the methods below:

1. Layout the hole locations as shown in **Detail 3** and drill a 0.236" dia. (#B drill bit) clearance hole at each location marked.
2. Use the YKK AP drill fixture, H-7204, to drill the holes.
3. Use punch press with appropriate die set.

See **Detail 3**.



FRAME FABRICATION

STEP 3

FABRICATE HEAD, HORIZONTAL & SILL MEMBERS

-Cut head, horizontal, and sill members to the daylight opening (D.L.O.) as indicated on the shop drawings.

STEP 4

FABRICATE GLASS STOPS & GLAZING ADAPTORS

-Cut glass stops to the same dimensions as their respective horizontals minus(-) 1/32".

-Cut vertical glazing adaptors to the frame height.

-Cut horizontal glazing adaptors to the daylight opening minus(-) 1/32".

FRAME FABRICATION

STEP 5 FABRICATE HOLES FOR SILL MEMBERS

-For mullion end reactions over 500 lbs., fabricate sill members for anchoring to sill flashing:

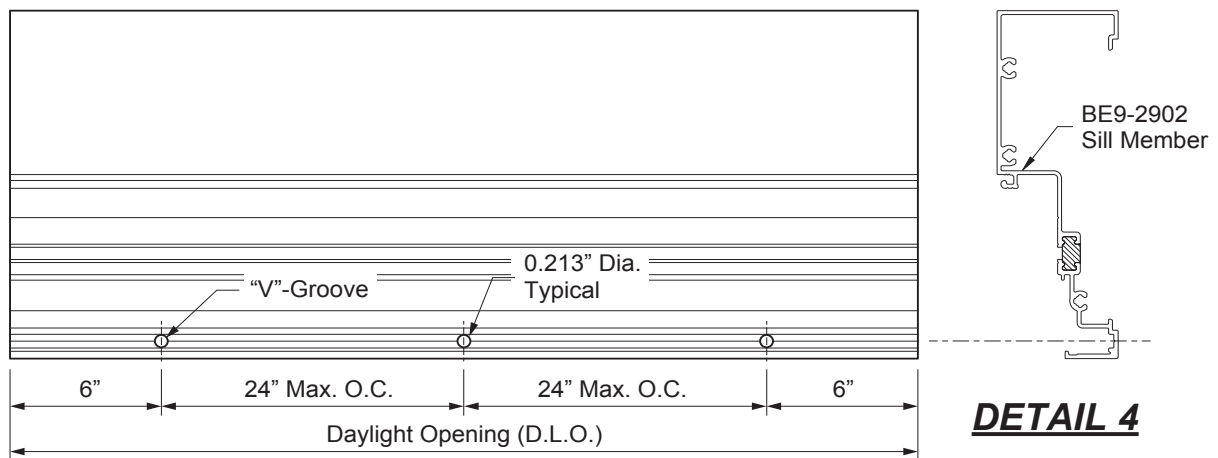
-Measure in 6" from each end of the sill member and mark hole locations along the "V"-groove as shown in **Detail 4**.

-Mark additional hole locations a maximum of 24" on center (O.C.).

-Drill a 0.213" diameter (#3 drill bit) hole at each location marked.

-If mullion end reaction is under 500 lbs., one (1) 0.213" dia. weep hole is required at the center of each daylight opening.

See **Detail 4**.



STEP 6 FABRICATE SILL FLASHING

For elevations without door framing:

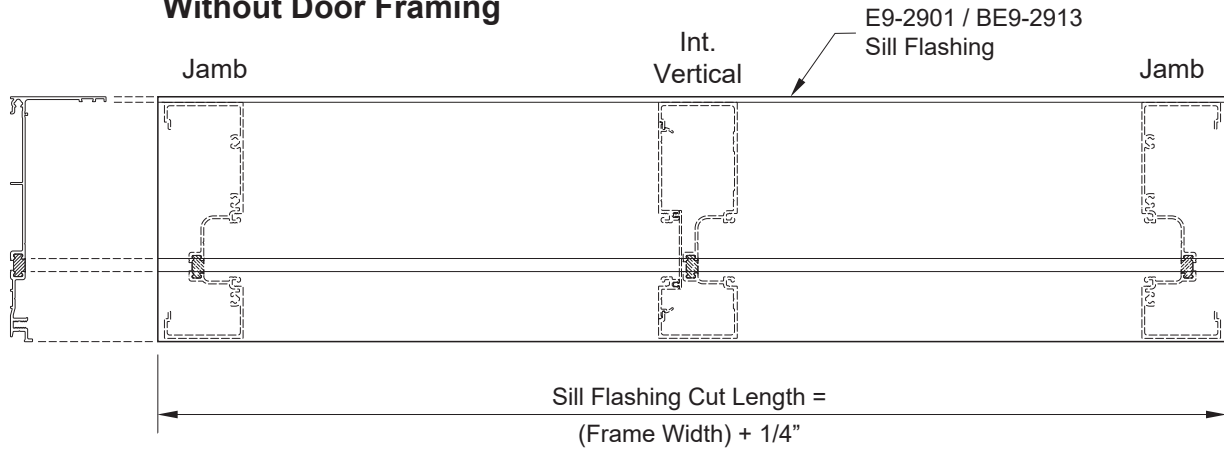
-Cut sill flashing, E9-2901 / BE9-2913 to the length of frame width plus (+) 1/4".

For elevations with door framing:

-Cut the sill flashing to length as shown in **Detail 5** and or as shown in the approved shop drawings.

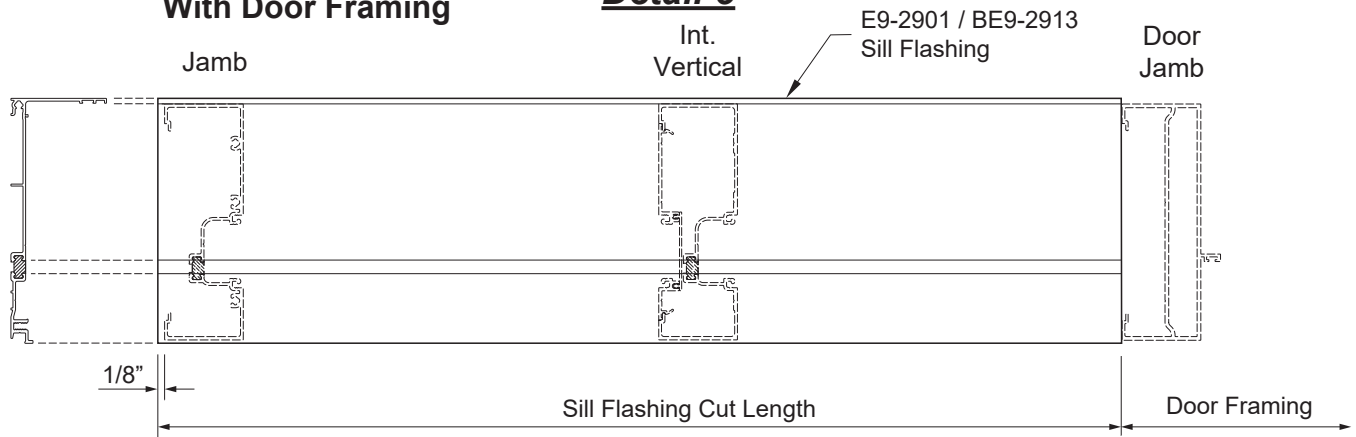
FRAME FABRICATION

Without Door Framing



With Door Framing

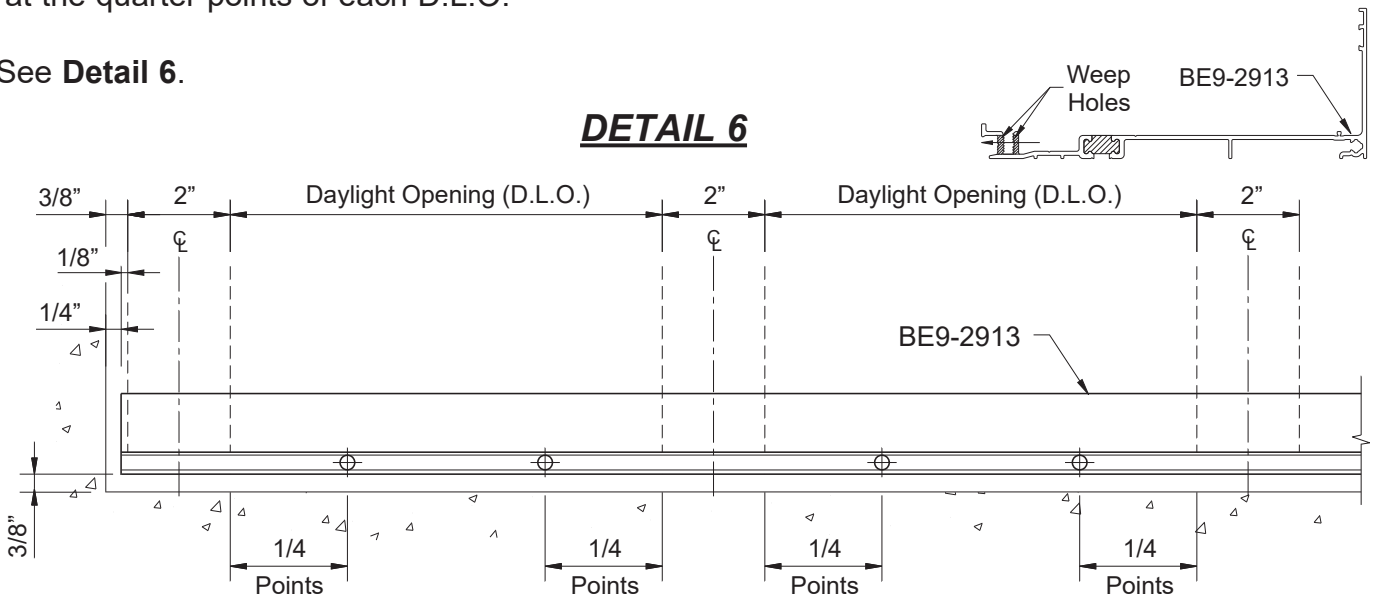
Detail 5



-Drill 5/16" diameter weep holes in the front of the sill flashing at the quarter points of each D.L.O.

See **Detail 6**.

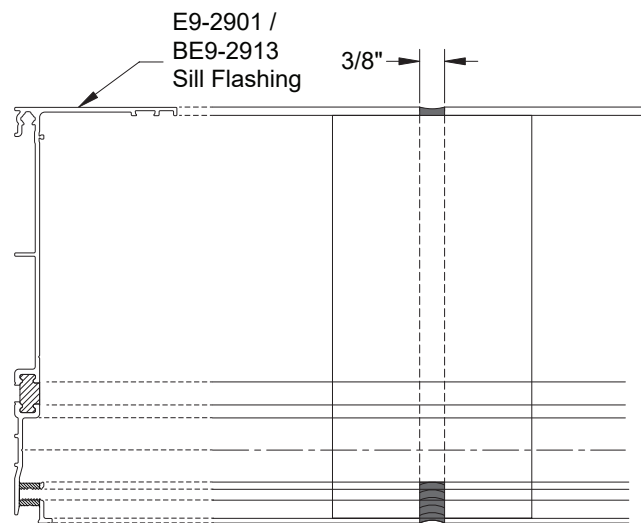
DETAIL 6



FRAME FABRICATION**STEP 6 (Continued)
FABRICATE SILL FLASHING**

- For openings longer than 24'-0" the sill flashing needs to be spliced every twelve to fifteen feet at the center of a D.L.O.
- Allow for a 3/8" joint for expansion between sill flashing members.

See **Detail 7**.



DETAIL 7

FRAME ASSEMBLY

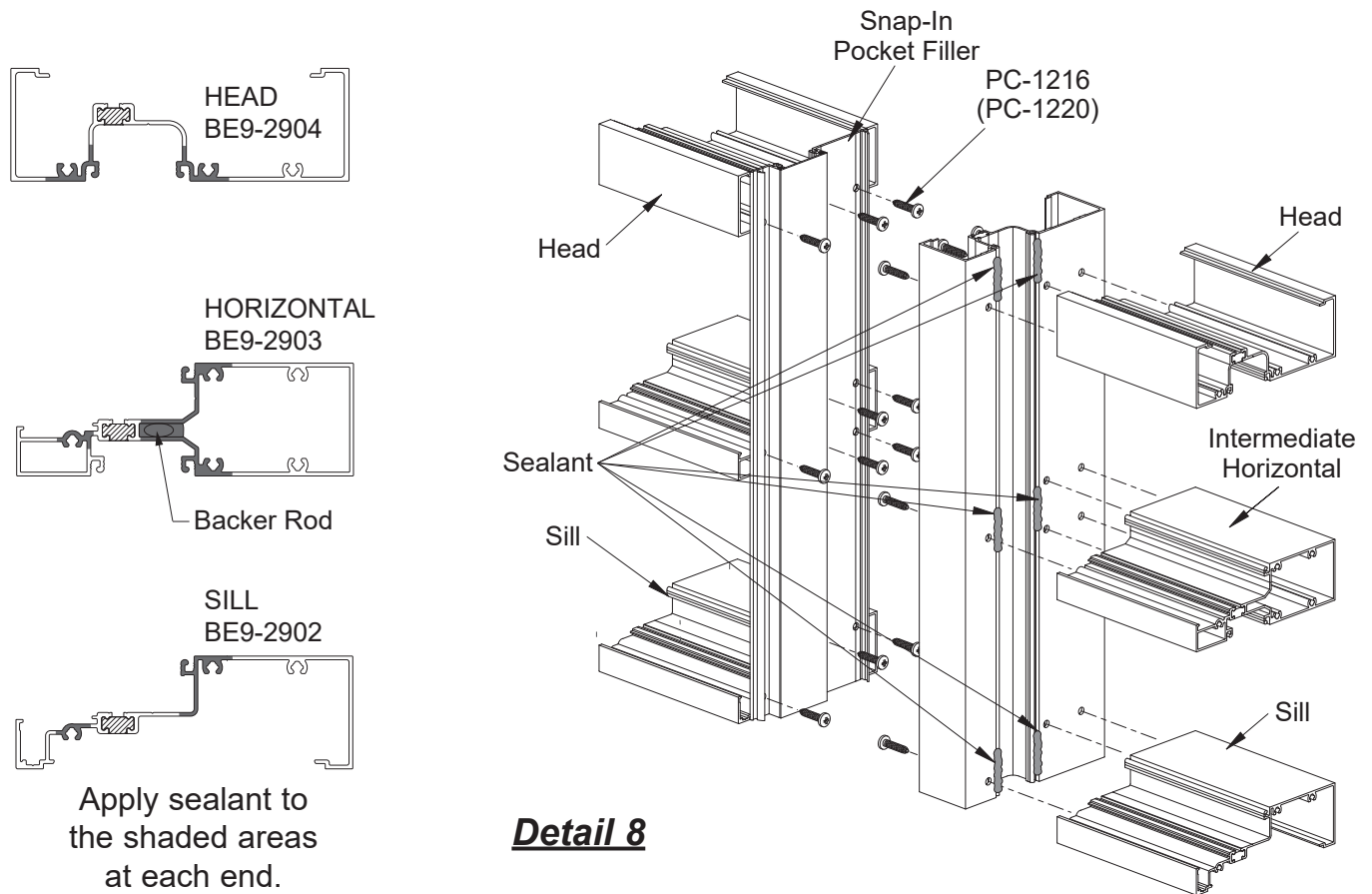
STEP 7

ASSEMBLE FRAMES (SCREW SPLINE ASSEMBLY)

- Clean all joint surfaces using cleaner approved by sealant manufacturer.
- Apply sealant to both ends of head, horizontal and sill members just prior to assembly.
- Install a small piece of backer rod into the hollow area under the glass pocket 1/8" beyond the end of the horizontal. Apply silicone to the hollow section and tool flat to the end of the horizontal as shown.
- Attach head, intermediate horizontal, and sill members to vertical mullions and pocket fillers with PC-1216 fasteners at each end as shown in **Detail 8**.

Note: Fastener PC-1220 must be substituted for PC-1216 when the head member (with screw splines) is used as a vertical.

- Tool the sealant into the joints and wipe away any excess sealant.
- See **Detail 8**.



CAUTION: Always assemble frames such that each lite of glass will have a minimum of one deep vertical glazing pocket.

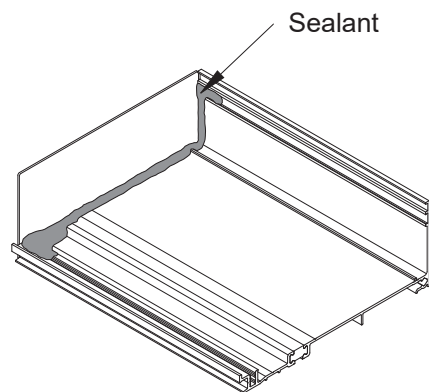
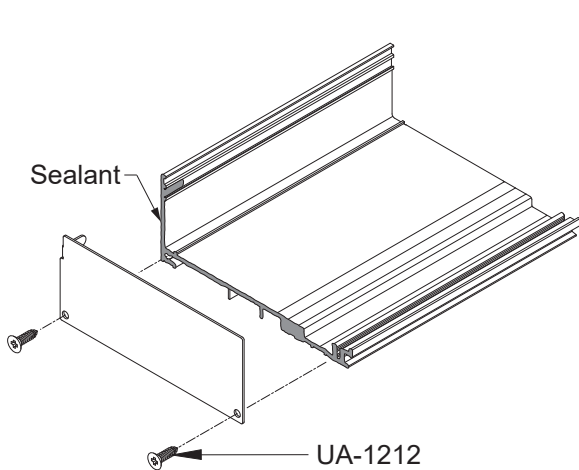
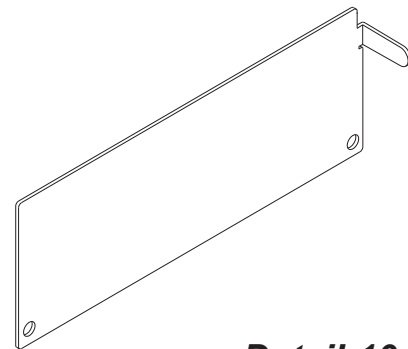
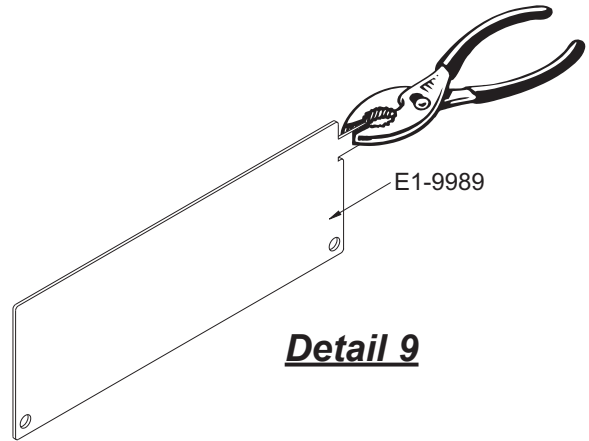
FRAME INSTALLATION

**STEP 8
INSTALL SILL FLASHING END DAMS**

-Bend the end dam tab left or right 90 degrees in order to “hand” the end dam for the left or right end of the flashing.

See **Details 9 & 10.**

- Clean all joint surfaces using cleaner approved by sealant manufacturer.
- Apply sealant to the end of the sill flashing as shown in **Detail 11.**
- Slide the tab into the top portion of the sill flashing.
- Tap the tab into place with a small tool until the end dam is snug against the end of the flashing.
- Fasten the end dam to the sill flashing with two UA-1212 screws, starting at the back, followed by the front as shown in **Detail 11.**
- Tool sealant along the joint between the end dam and the sill flashing as shown in **Detail 12.**
- Seal over any exposed screw threads.



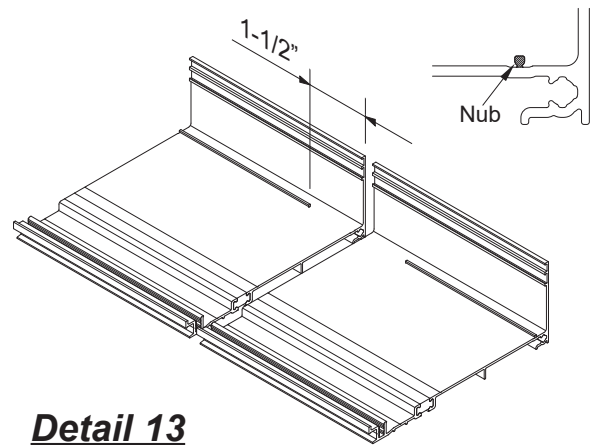
FRAME INSTALLATION

STEP 9 INSTALL SILL FLASHING

- Install the sill flashing with a minimum of 3/8" shim space underneath. Sill flashing must be installed level.
- Anchor the sill flashing to the structure a maximum of 4" from each end and then 18" to 24" on center, or per P.E. calculations.
- Apply and tool sealant to cover the heads of all anchors and screws.

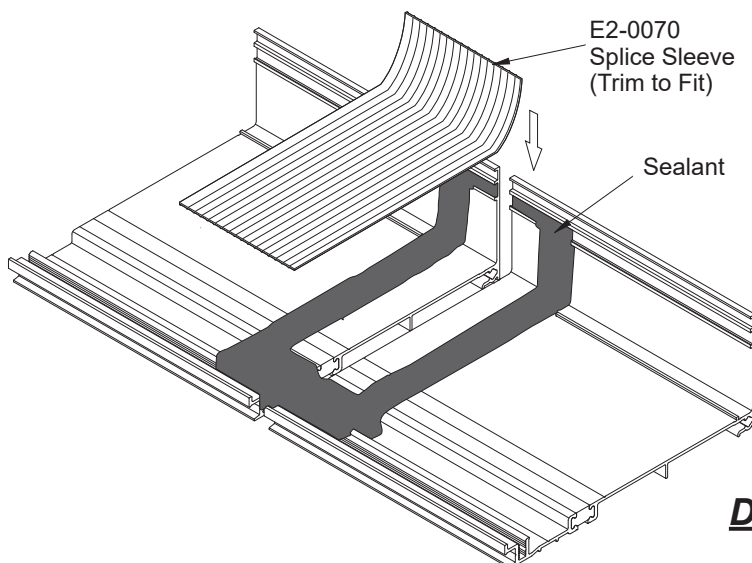
STEP 10 INSTALL SILL FLASHING SPLICE SLEEVE

- Remove the nub with a chisel or pliers on both sides of the splice joint 1-1/2" as shown in **Detail 13**.
- After the sill flashing has been shimmed and anchored to the building structure, insert a small backer rod under the sill flashing as shown in **Detail 14**.
- Position the Silicone Splice Sleeve against the back wall below the groove.
- Bend the Silicone Splice Sleeve into the front on the channel as shown. Mark and cut the sleeve at this position.
- Clean Sill Flashing and Silicone Splice Sleeve with isopropyl alcohol at the splice location.
- Seal the flashing at the splice location as shown in **Detail 14**, before positioning the flashing. Set the Silicone Splice Sleeve into the sealant.
- Tool sealant tight as shown in **Detail 14**, squeezing the sheet flat with a seam roller.

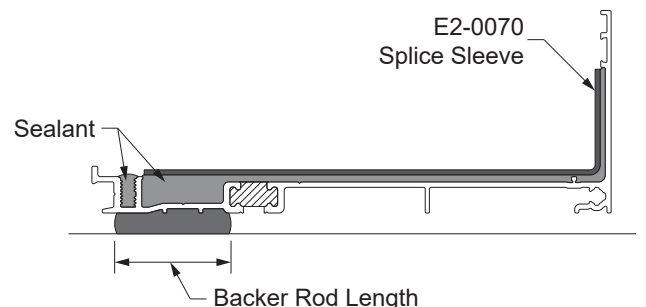


Detail 13

When using E2-0070, a compatible Silicone Sealant must be used at the splice. Compatible Silicone Sealants include Tremco® Spectrem 2 and Dow Corning® 795.



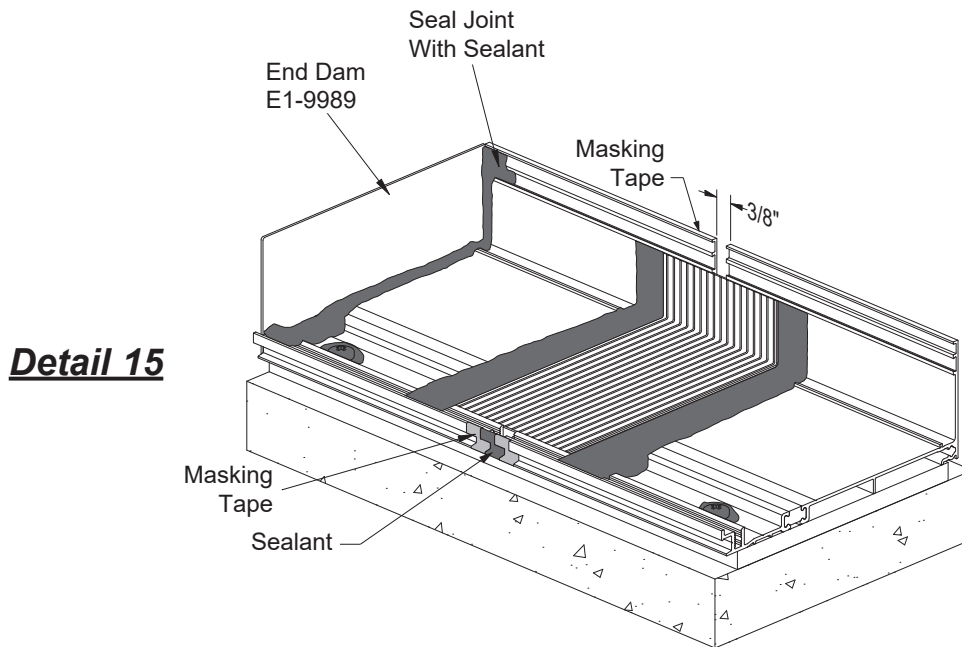
Detail 14



FRAME INSTALLATION

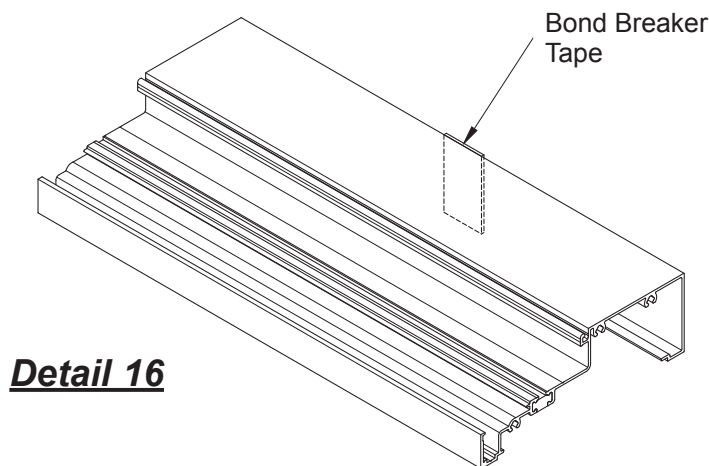
**STEP 10
INSTALL SILL FLASHING SPLICE SLEEVE (Continued)**

- Apply masking tape to the back of the sill flashing at the splice and at the front as shown in **Detail 15**.
- Thoroughly seal the small joint directly in front of the Silicone Splice Sleeve. Carefully remove masking tape from the front gap before the sealant skins over.



**STEP 11
SILL PREPARATION**

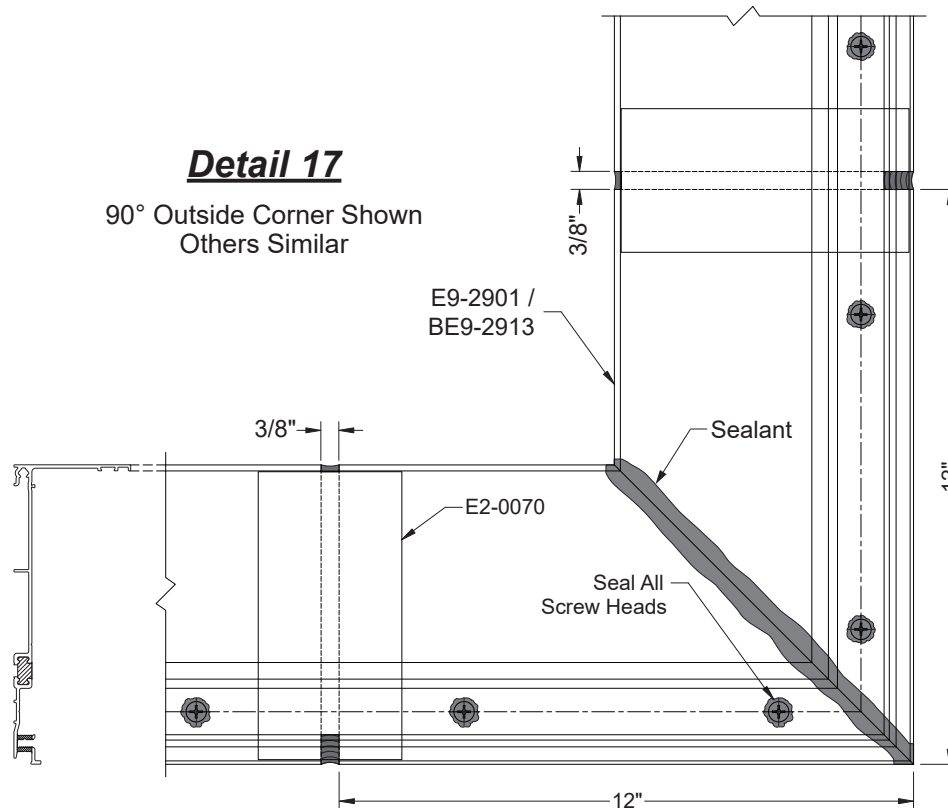
- At every splice condition, apply bond breaker tape to the back of the sill member before the joint is sealed between the sill and sill flashing.
- See **Detail 16**.



FRAME INSTALLATION

STEP 12 INSTALL SILL FLASHING FOR CORNERS

- Cut two 12" long pieces of sill flashing E9-2901 / BE9-2913 and miter (45° for 90° corners and 67.5° for 135° corners).
- Align the two pieces at the corner condition with the mitered ends pushed together tight and anchor the sill flashing as called out on shop drawings.
- Apply and tool sealant to the mitered joint and anchor heads.
- See **Detail 17**.
- Continue installing the rest of the sill flashing providing a 3/8" expansion joint at splices as shown in **Step 10** on **Page 14**.



FRAME INSTALLATION

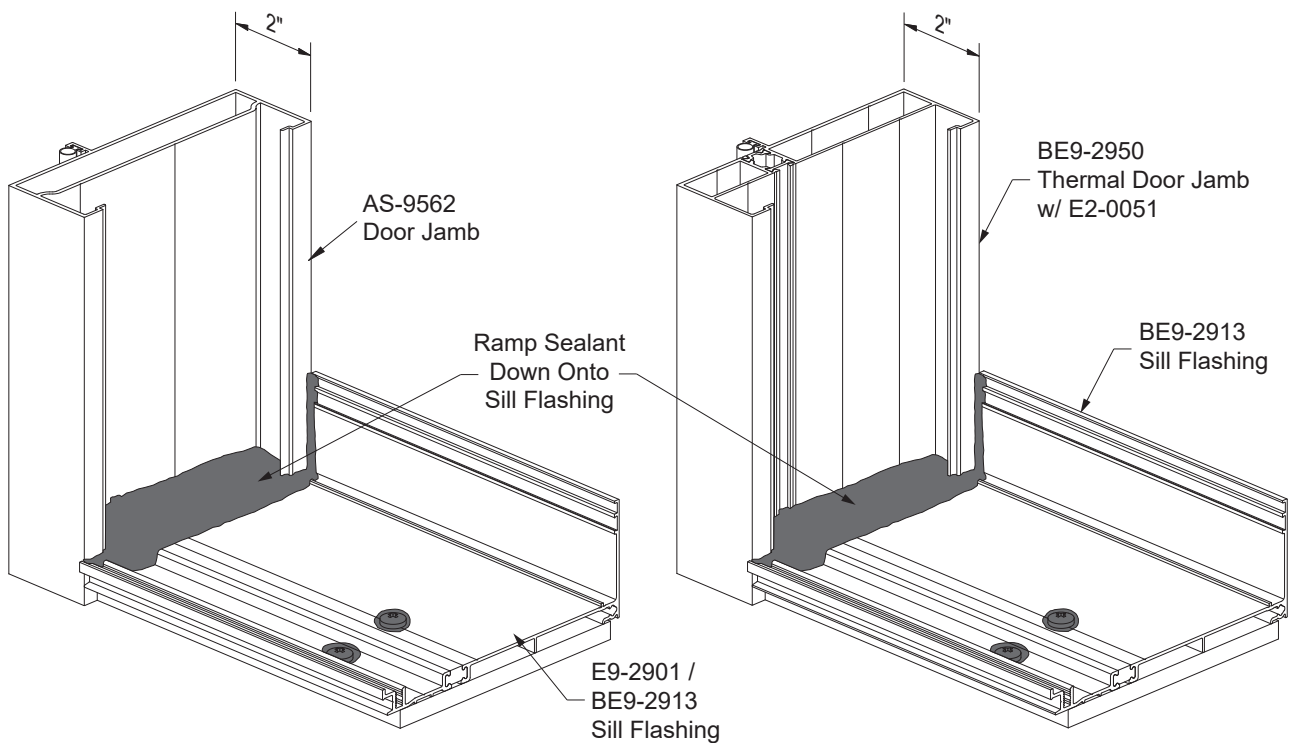
**STEP 13
PREPARE DOOR JAMBS**

Prior to snapping the assembled frames into the door jamb, the end of the sill flashing needs to be sealed to the door jamb.

- Apply and tool sealant at all sill flashing to door jamb joints.
- Apply sealant to completely fill the door jamb cavity and ramp the sealant down onto the sill flashing.

See **Detail 18**.

Refer to the **Entrances Installation Manual** for door installation instructions.



Detail 18

FRAME INSTALLATION

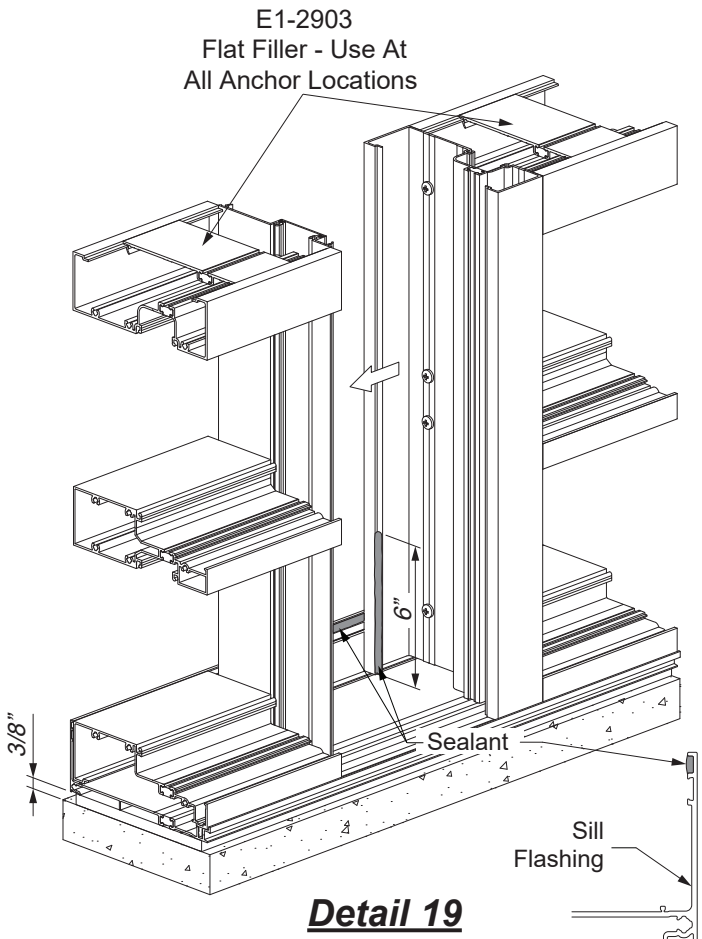
STEP 14 INSTALL FRAMES

- Snap in flat fillers, E1-2903, or 2-1/2" long pieces of BE9-7362 at head and jamb anchor locations (E1-2904 for YES 60 FI.)
- Prior to snapping the assemble frames together, apply sealant to the interior snap interface of the mullion, 6" up from the bottom.
- Apply sealant continuously to the front of the back leg of the sill flashing and immediately set the frame into the opening.
- Snap assembled frames together if using screw spline assembly.

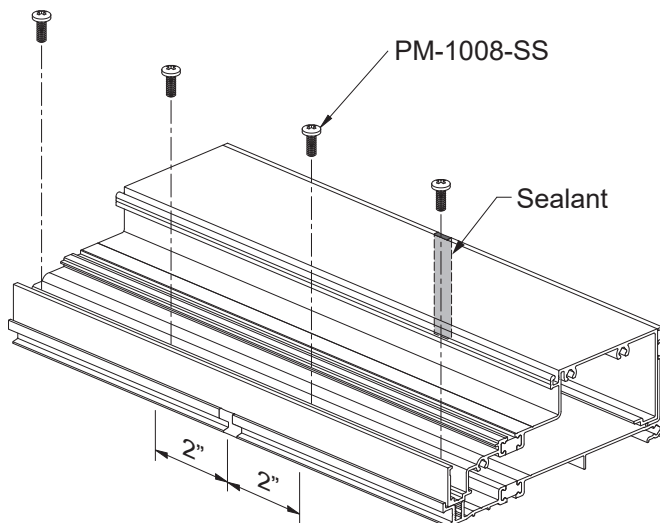
See **Detail 19**.

- Shim jamb and head members with a minimum of 3/8" shim.
- Anchor the frame to the structure at the sill*, head, and jamb: 3" from the ends and then 24" on center, or as required by P. E. calculations.
- Always shim at all anchor locations.

Note: Use only flat head fasteners at head and jamb conditions.



Detail 19



Detail 20

- For mullion end load reactions over 500 lbs., attach the sill to the sill flashing using PM-1008-SS screws.*
- Also add one (1) PM-1008-SS fastener 2" in both directions from the center line of the splice.

-Apply and tool sealant to the gap in the back of the sill flashing splice. Remove the masking tape after application.
See **Detail 20**.

*To determine end load reactions, consult YKK AP DirecTech or refer to approved shop drawings or P. E. calculations.

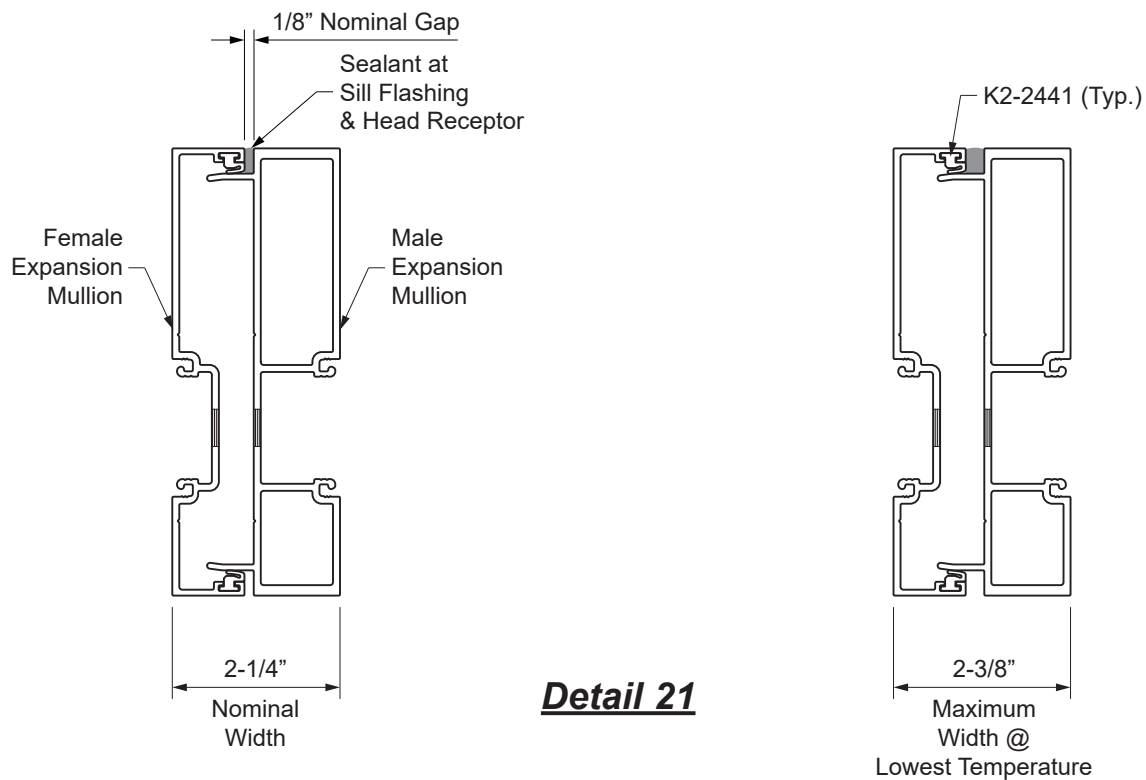
FRAME INSTALLATION

STEP 14 (Continued)

INSTALL EXPANSION MULLIONS WHERE REQUIRED

- Expansion mullions require the K2-2441 weathering gasket in both front and rear reglets.
- During installation, the current air temperature should be taken into account to determine the proper spacing between the mullion halves such that the expansion mullion stays within its allowable width limits during its service in hot and cold weather conditions.
- Fill the interior gap between the mullion halves with sealant at the sill flashing and head receptor.

See **Detail 21**.



Detail 21

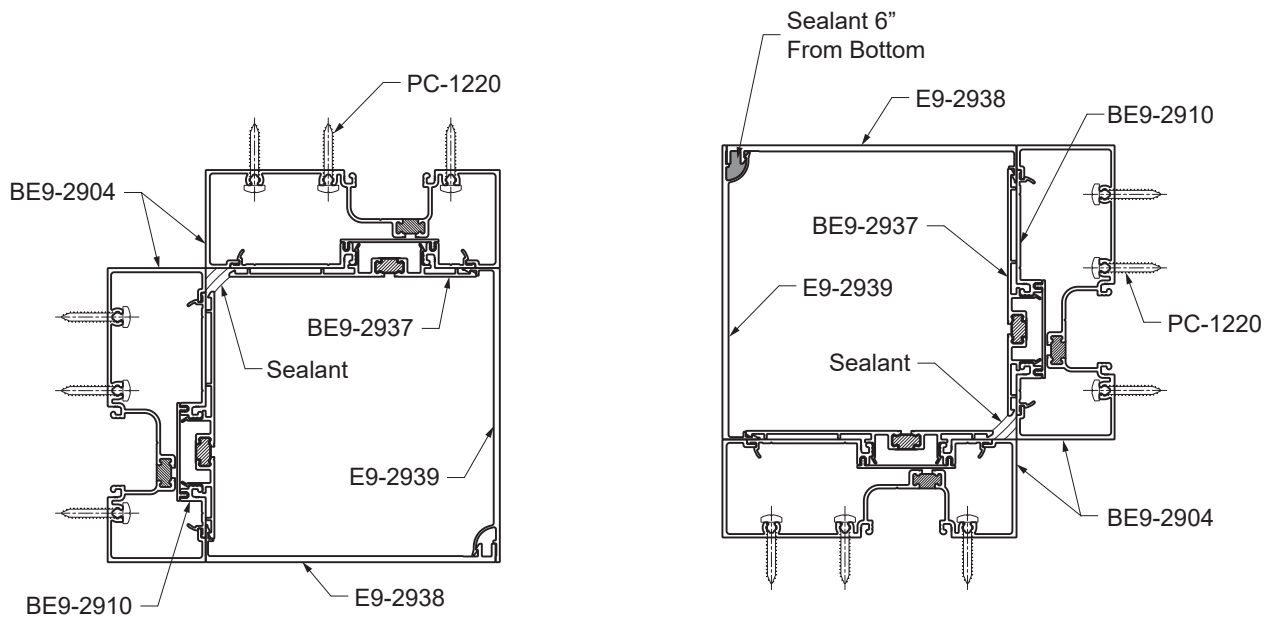
FRAME INSTALLATION

STEP 14 (Continued) INSTALL CORNER ASSEMBLIES

For 90° Corner Assemblies:

- Attach horizontal members to standard mullions as shown before in **Step 7**.
- Attach the other end of the horizontals to the jamb mullions to be used at the corners.
- Attach shallow pocket fillers to the jamb mullions and snap the E9-2937 / BE9-2937 adaptors to the pocket fillers.
- Apply sealant to the cavity between the adaptors at the jamb mullions. Tool the sealant. For inside corners, apply sealant to the snap receptor of the E9-2939 female corner cover, 6" up from the bottom.
- Snap the E9-2939 female corner cover onto the corner first, then snap on the E9-2938 male corner cover.

See **Detail 22**.



90° Outside Corner

Detail 22

YES 60 TU shown,
YES 60 FI similar

90° Inside Corner

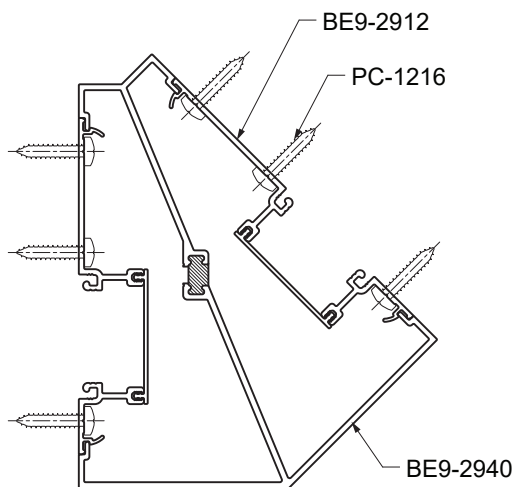
FRAME INSTALLATION

**STEP 14 (Continued)
INSTALL CORNER ASSEMBLIES**

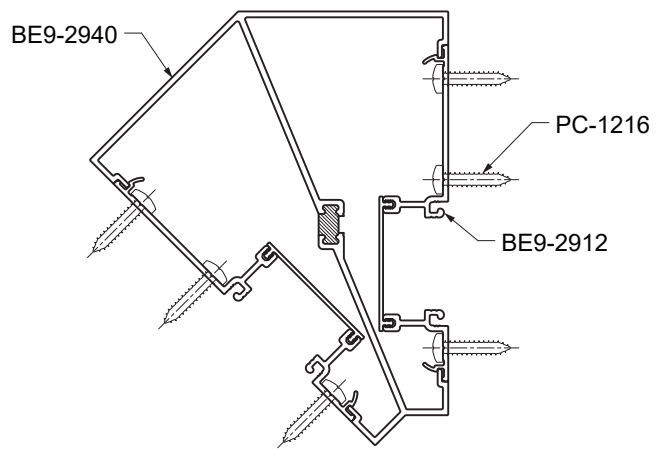
For 135° Corner Assemblies:

- Attach horizontal members to standard mullions as shown before in **Step 7**.
- Attach the other end of the horizontals to the deep pocket fillers using the same technique.
- Snap the corner framing members together to form the corner assemblies.
- Carefully move the corner assembly into place and snap it into the rest of the frame one side at a time.

See **Detail 23**.



135° Outside Corner



135° Inside Corner

Detail 23

YES 60 TU shown,
YES 60 FI similar

FRAME INSTALLATION

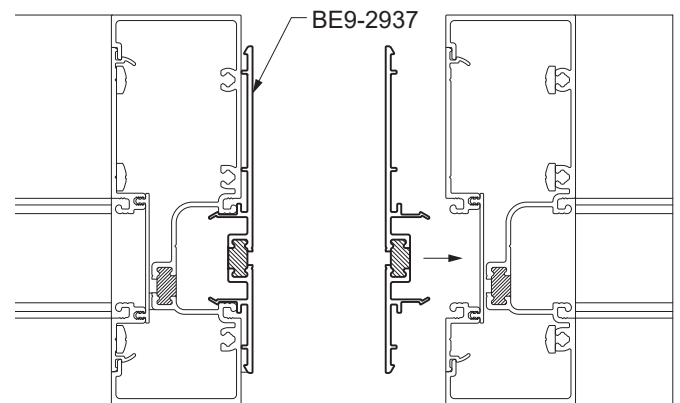
STEP 14 (Continued) INSTALL OPTIONAL COMPOUND MULLIONS

-Snap in the BE9-2937 adaptors (cut full length of the mullion) into the mullions for each frame as shown in **Detail 24**.

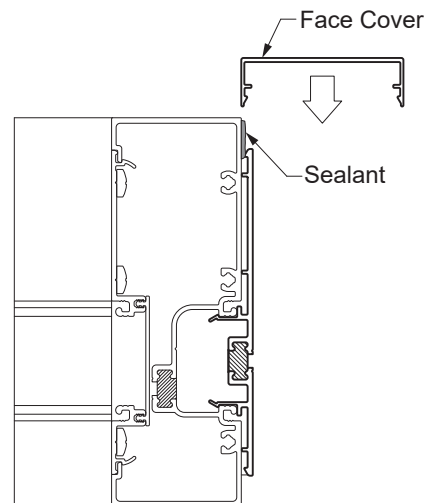
-Apply sealant to the full length of the first mullion for which the rear face cover will snap into.

-Snap the face cover into place.

See **Detail 25**.



Detail 24



Detail 25

FRAME INSTALLATION

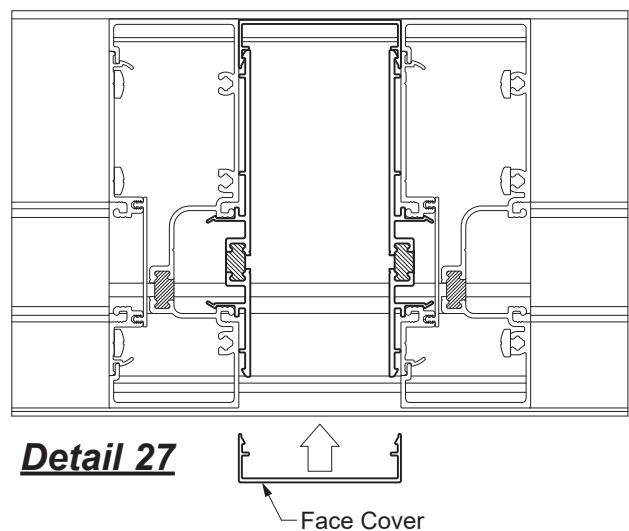
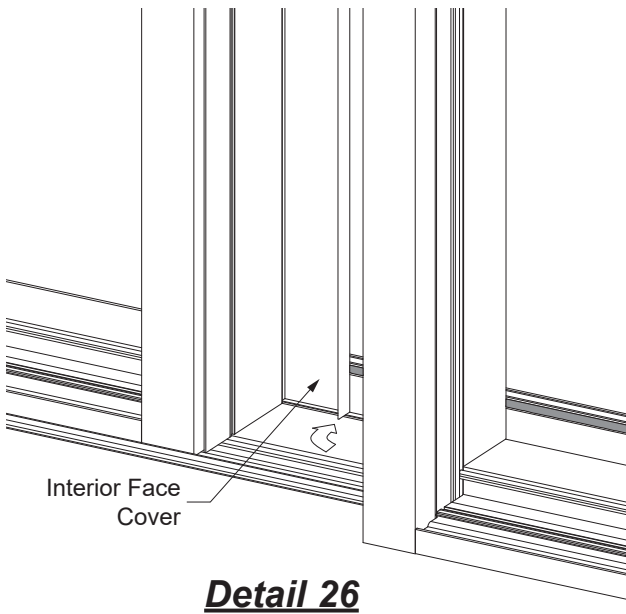
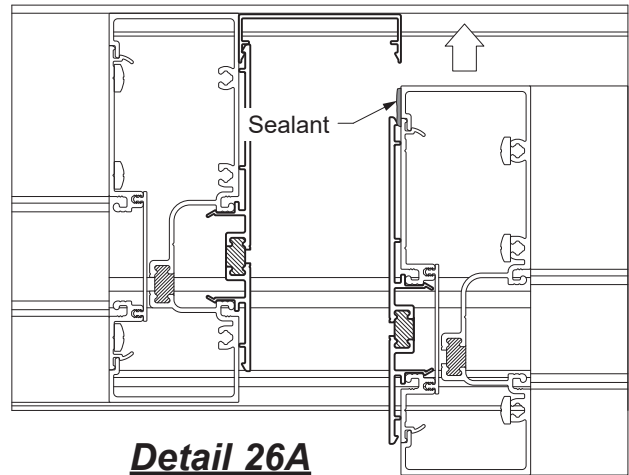
**STEP 14 (Continued)
INSTALL OPTIONAL COMPOUND MULLIONS**

-Apply sealant to the full length of the mullion for the second frame.

-Snap the second frame into place from the front, engaging the face cover as shown in **Details 26 & 26A**.

-Snap the front face cover into both frames. Start at the sill to clear the front lip of the sill flashing.

See **Detail 27**.



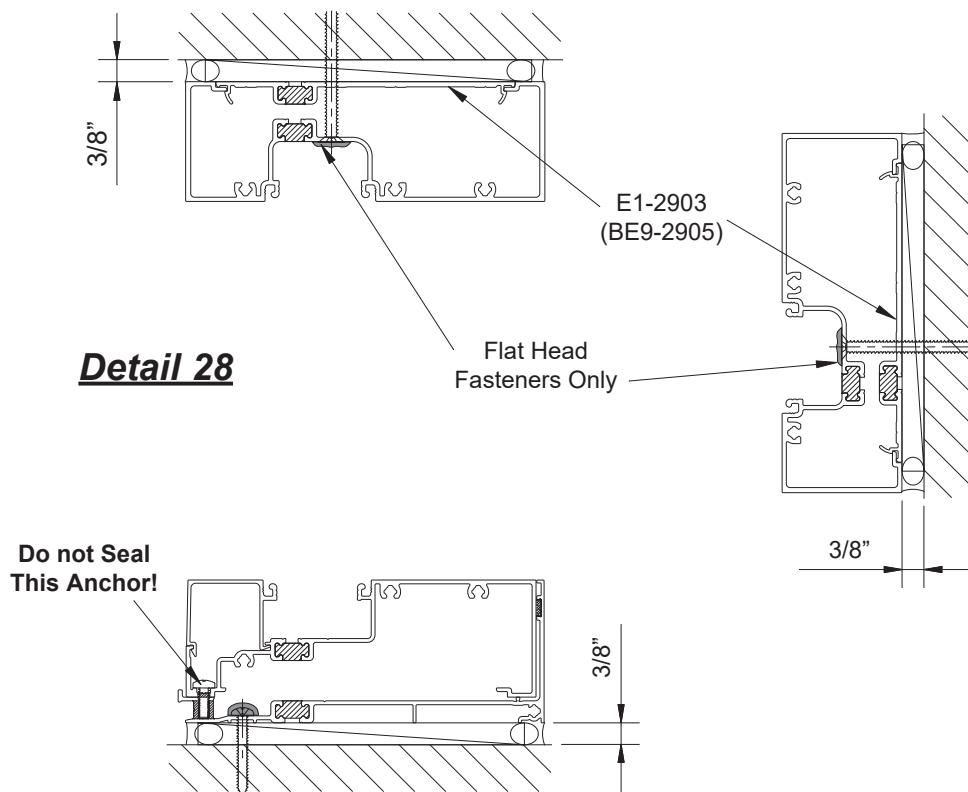
FRAME INSTALLATION

STEP 15

APPLY PERIMETER SEALANT

- Perimeter seal required on interior and exterior.
- Install backer rod around the perimeter of the frame.
- Apply and tool perimeter sealant to the joint between the frame and the structure.
- Do not** seal sill flashing weep holes.
- Seal anchor heads at head and jambs.

See **Detail 28**.



FRAME INSTALLATION

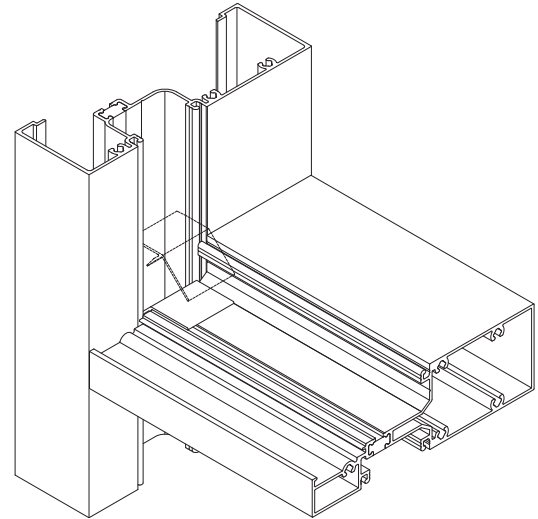
STEP 16 INSTALL WATER DEFLECTORS

YES 60 FI and TU requires the installation of a water deflector, E2-0047, at the ends of every intermediate horizontal to keep water off of the insulating glass units (IGU). Optional compound horizontals require water deflectors at the ends of both horizontal members.

- Peel away the protective paper from the bottom of the water deflector, E2-0047, and install the water deflector by rotating it over each end of the horizontal.
- Position the vertical leg of the water deflector against the end of the horizontal.

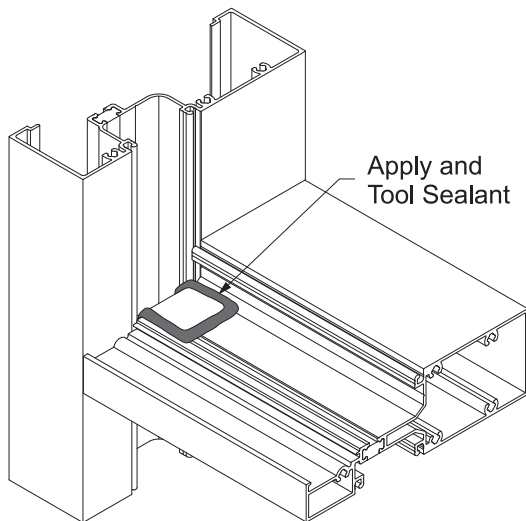
Note: For best adhesion, make sure that the horizontal is clean and dry.

See **Detail 29**.



Detail 29

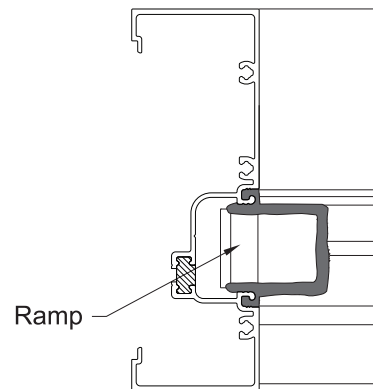
YES 60 TU Shown
YES 60 FI Similar



Apply and
Tool Sealant

Detail 30

YES 60 TU Shown
YES 60 FI Similar



Ramp

Detail 31

YES 60 TU Shown
YES 60 FI Similar

-Apply and tool sealant along the edges of the water deflector and down onto the horizontal.
See **Detail 30**.

-Seal the ramp of the water deflector to the sides of the vertical gasket reglets.
See **Detail 31**.

FRAME INSTALLATION

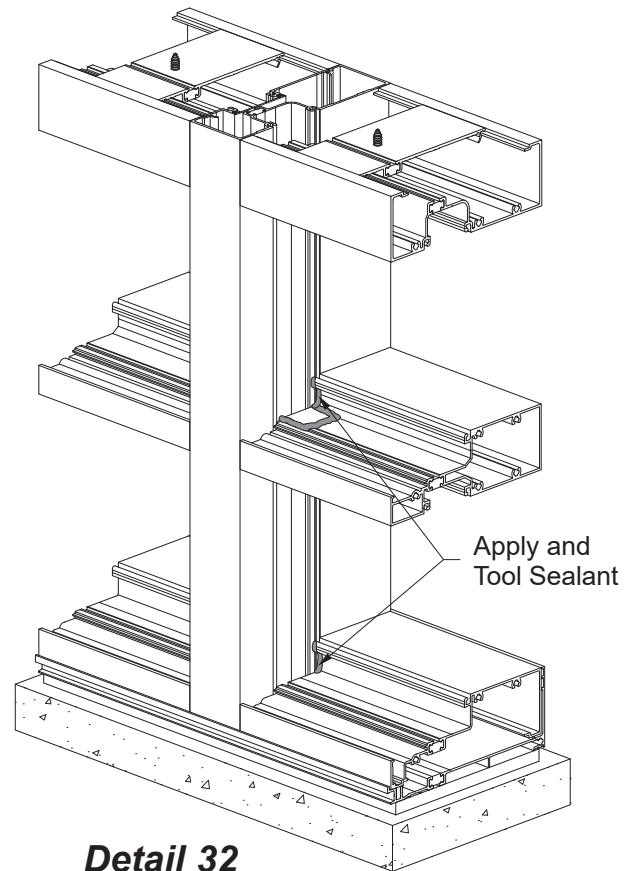
STEP 17 APPLY INTERNAL SEALANT

- Apply sealant to the vertical intersection of the horizontal and vertical members.
- Tool all of the sealant to ensure a water tight joint.

See **Detail 32**.

Glazing Table - YES 60 FI/TU

Glass Thickness	Adaptor	Exterior	Interior
3/16"	E9-1040	E2-0052	E2-0064
1/4"	E9-1040	E2-0052	E2-0052
5/16"	E9-1040	E2-0053	E2-0052
3/8"	E9-1040	E2-0053	E2-0053
1/2"	E9-1039	E2-0064	E2-0064
5/8"	E9-1039	E2-0052	E2-0052
3/4"	E9-1039	E2-0053	E2-0053
7/8"	—	E2-0064	E2-0064
1"	—	E2-0052	E2-0052



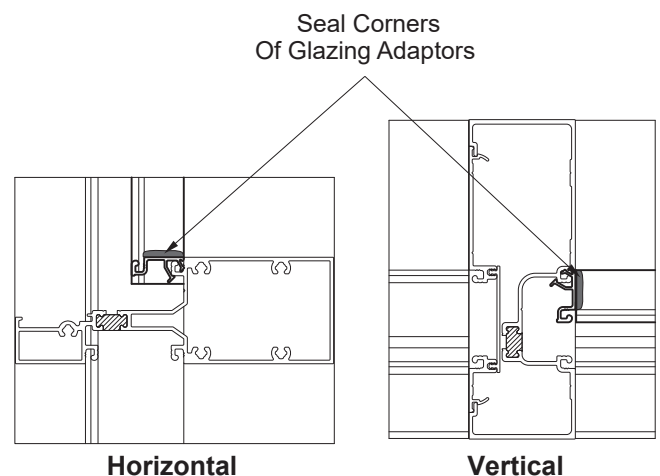
Detail 32

STEP 18 (Optional) INSTALL GLAZING ADAPTORS

Glazing adaptors, E9-1039 and E9-1040, allow for glazing infills other than the standard 1/4" or 1". Please refer to the glazing tables above for possible adaptor/gasket combinations.

- Snap glazing adaptors into the interior gasket reglets of the verticals.
- Snap glazing adaptors into the interior gasket reglets of the horizontals.
- Apply and tool sealant to the joint between vertical and horizontal glazing adaptors.

See **Detail 33**.



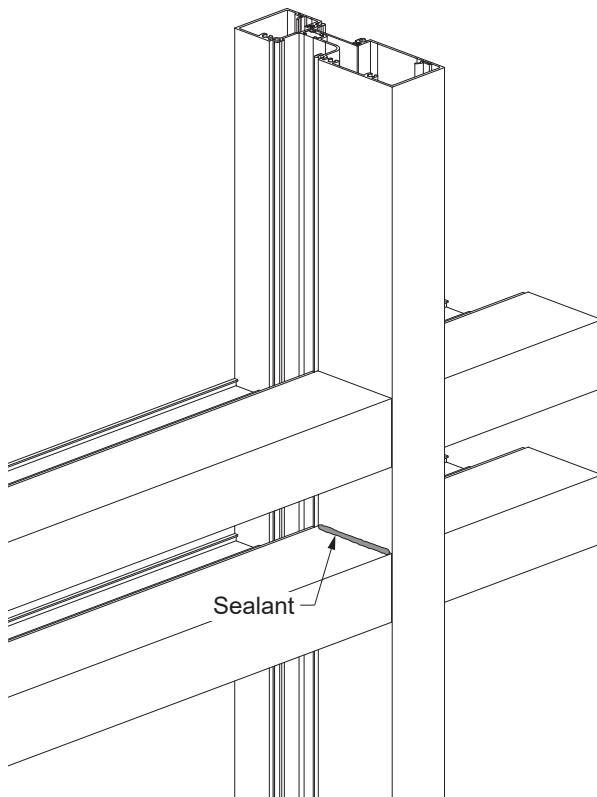
Detail 33

FRAME INSTALLATION**STEP 19 (Optional)
INSTALL OPTIONAL COMPOUND HORIZONTALS**

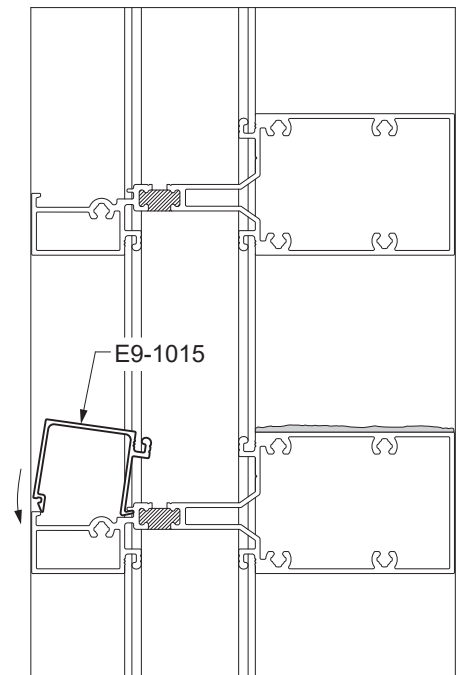
-Apply sealant to the top of of the lower horizontals where they intersect with the vertical. Tool the sealant. Do not seal the upper horizontal.

See **Detail 34**.

-Snap the E9-1015 glass stop into the lower horizontal as shown in **Detail 35**. Do not snap glass stops into the upper horizontals yet.



Detail 34

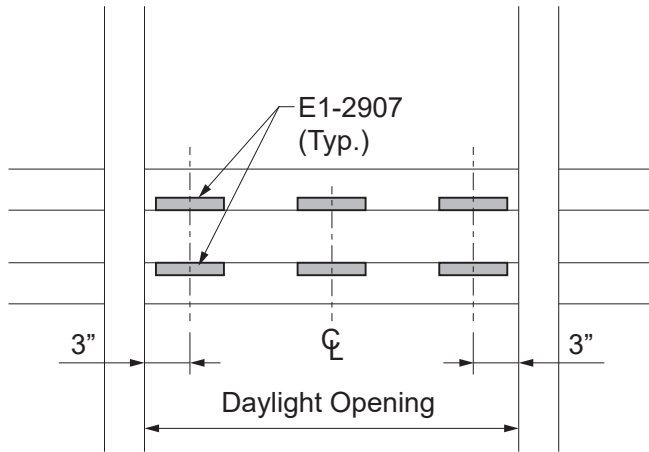


Detail 35

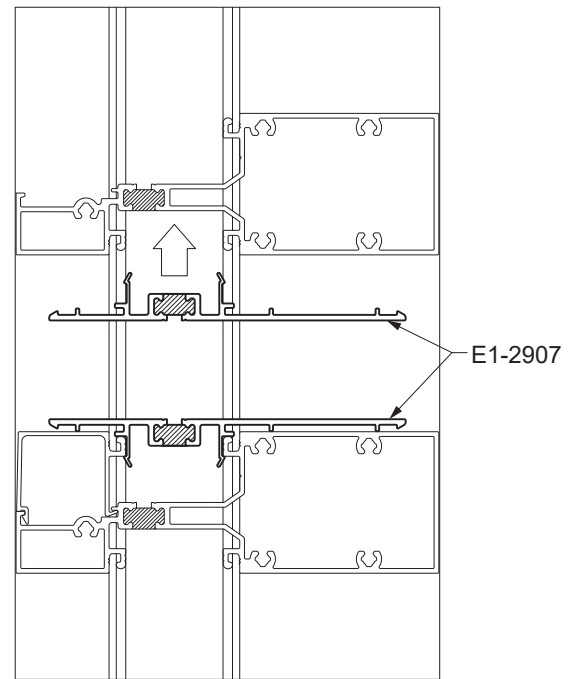
FRAME INSTALLATION

STEP 19 (Optional, Continued) INSTALL OPTIONAL COMPOUND HORIZONTALS

-Snap in the E1-2907 adaptors into the horizontals, one at 3" from each end of each horizontal and one at the middle of each horizontal as shown in **Details 36 & 37**.



Detail 36



Detail 37

FRAME INSTALLATION

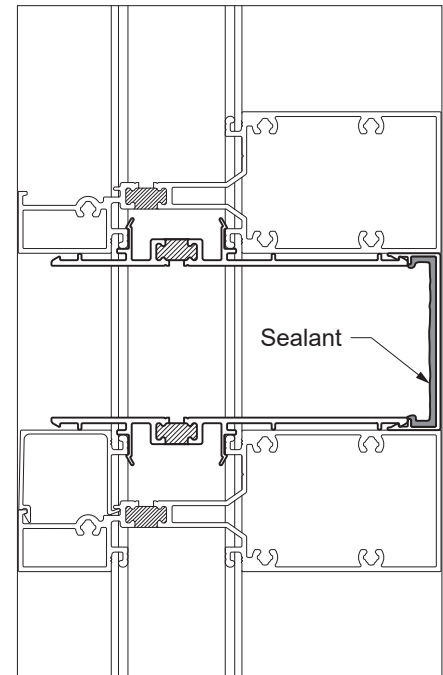
**STEP 19 (Optional, Continued)
INSTALL OPTIONAL COMPOUND HORIZONTALS**

-Cut the front and rear horizontal face covers to Daylight Opening minus(-) 1/16". Apply continuous sealant to the full length of the back of both horizontals where the rear face cover will snap into as shown in **Detail 38**. Snap the rear face cover into place.

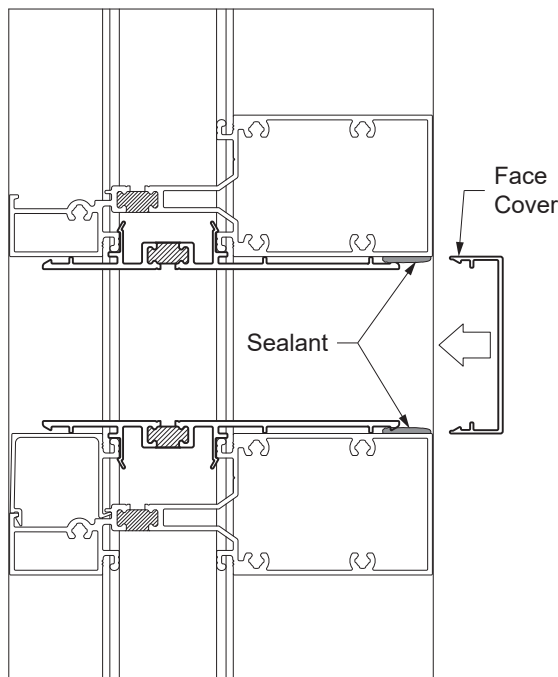
-Seal the joint between the edge of the face cover and the verticals as shown in **Detail 39**.

-Snap the front face cover into place.

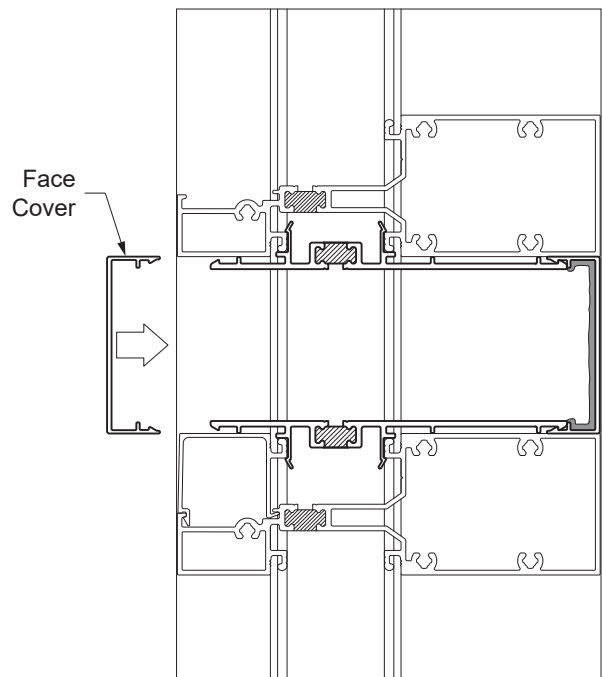
See **Detail 40**.



Detail 39



Detail 38



Detail 40

GLAZING

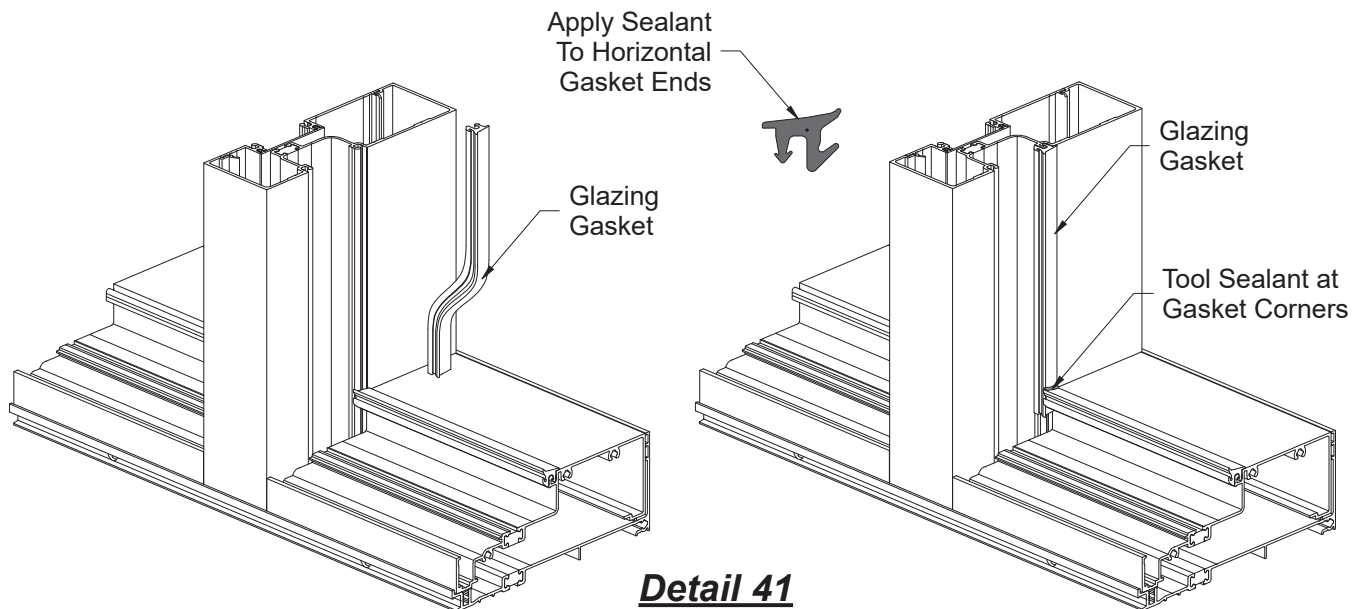
STEP 20 INSTALL INTERIOR GLAZING GASKETS

The interior glazing gaskets must be installed prior to the glazing process.

-Using a small brush clean out any dirt that may have accumulated in the gasket reglets.

Vertical glazing gaskets must be installed first:

- Cut vertical glazing gaskets to Daylight Opening plus(+) 1/4" for each foot of length.
- Insert the gasket into the reglet at each end first, and then insert the gasket at the midpoint of the opening.
- Push the gasket into the reglet starting at the midpoint and work towards each end.



Install horizontal glazing gaskets next:

- Cut horizontal glazing gaskets to Daylight Opening plus(+) 1/4" for each foot of length.
- Apply sealant to each end of the horizontal glazing gasket prior to inserting into the reglet.
- Insert the gasket into the reglet at each end first and push each end tight against the vertical gasket.
- Then insert the gasket at the midpoint of the opening and push the gasket into the reglet starting at the midpoint and work towards each end.
- Tool the excess sealant at the gasket corners to ensure a watertight seal.

See **Detail 41**.

GLAZING

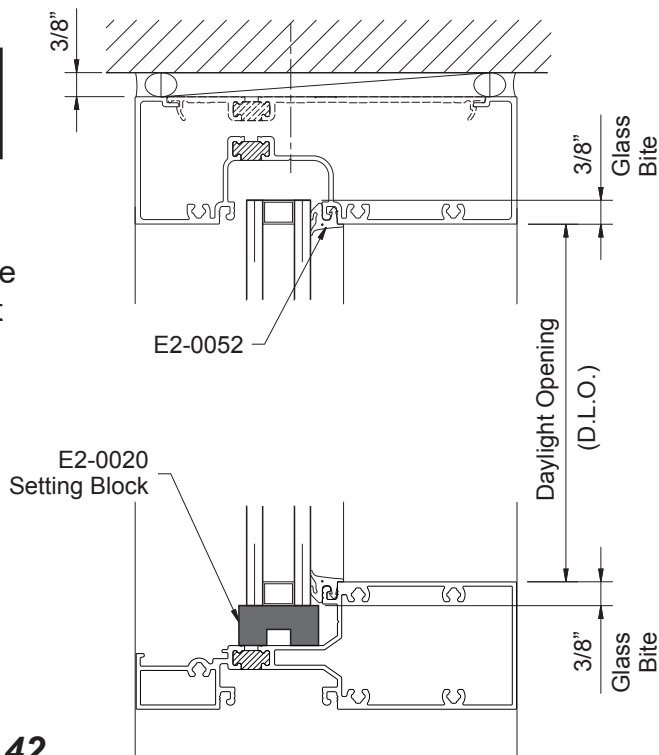
**STEP 21
INSTALL GLASS**

Determine the glass size:

Horizontal Glass Size = D.L.O. plus(+) 3/4"
Vertical Glass Size = D.L.O. plus(+) 3/4"

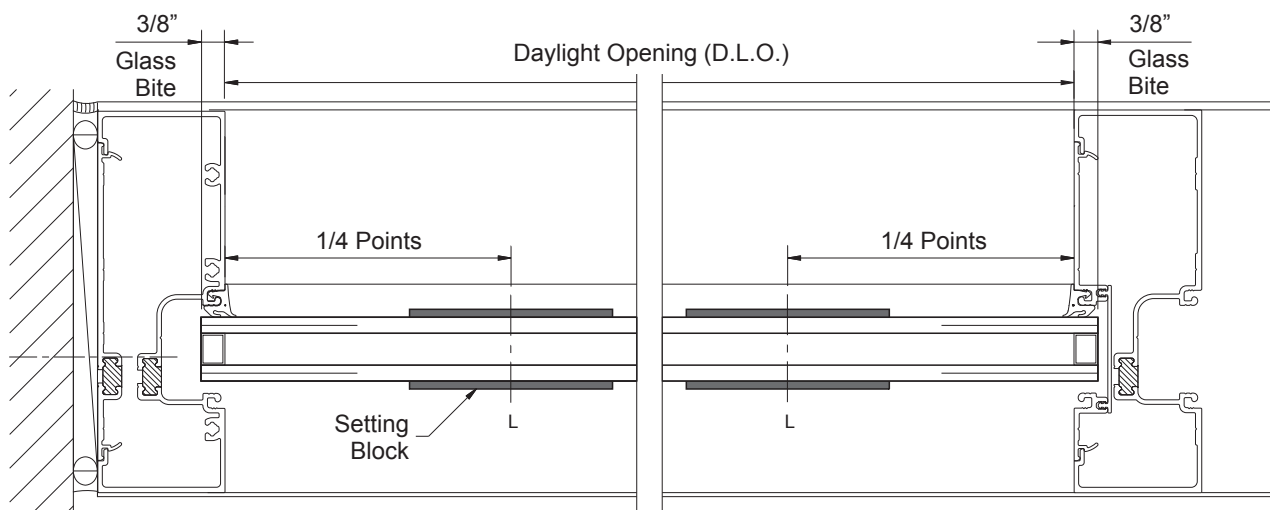
- Carefully install the glass into the opening: insert the leading edge of the lite up and into the deep pocket first and then rotate the trailing edge in place.
- Carefully lift lite of glass, install setting blocks at quarter points of horizontal D.L.O. or according to engineering calculations.
- Make sure the glass is properly positioned on all setting blocks.

See **Detail 42**.



Detail 42

YES 60 TU shown,
YES 60 FI similar



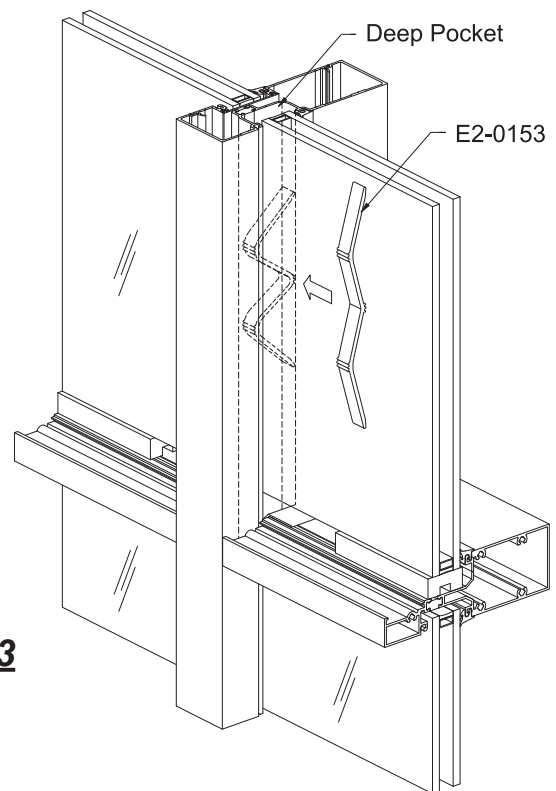
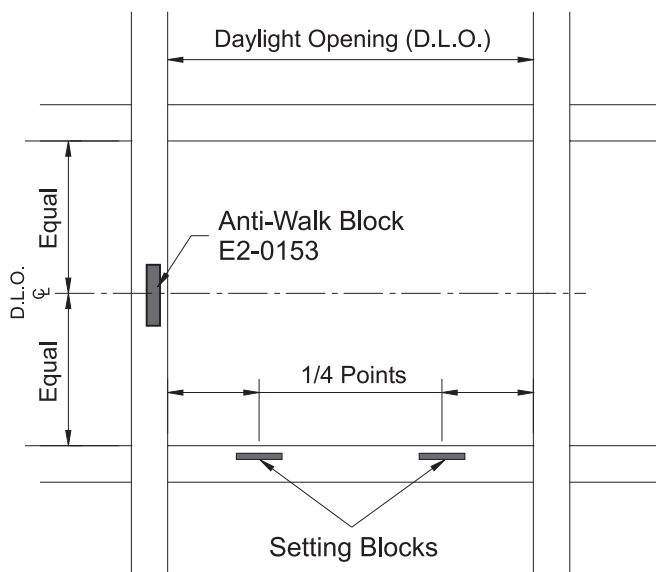
GLAZING

STEP 22 INSTALL ANTI-WALK BLOCKS

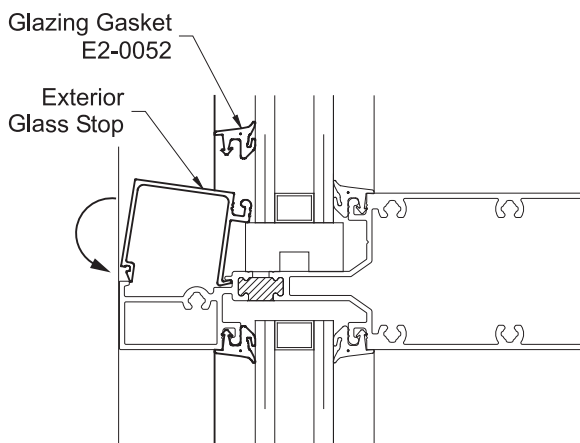
YES 60 FI and TU frames require the installation of an anti-walk block, E2-0153, in the deep mullion glazing pocket of each lite centered on the daylight opening.

-Flatten the anti-walk block against the exterior surface of the glass and push it into the opening between the glass and the mullion until it is released into the glazing pocket.

See **Detail 43**.



Detail 43



Detail 44

YES 60 TU shown,
YES 60 FI similar

STEP 23 INSTALL EXTERIOR GLASS STOPS & GLAZING GASKETS

-Snap the exterior glass stops into place as shown in **Detail 44**.

-Install the exterior glazing gaskets using the same technique described in **Step 20** on **Page 29**. Always install the vertical glazing gasket first.

Repeat **Steps 20 through 23** until all lites are installed.



101 Marietta Street NW
Suite 2100
Atlanta, Georgia 30303
www.ykkap.com