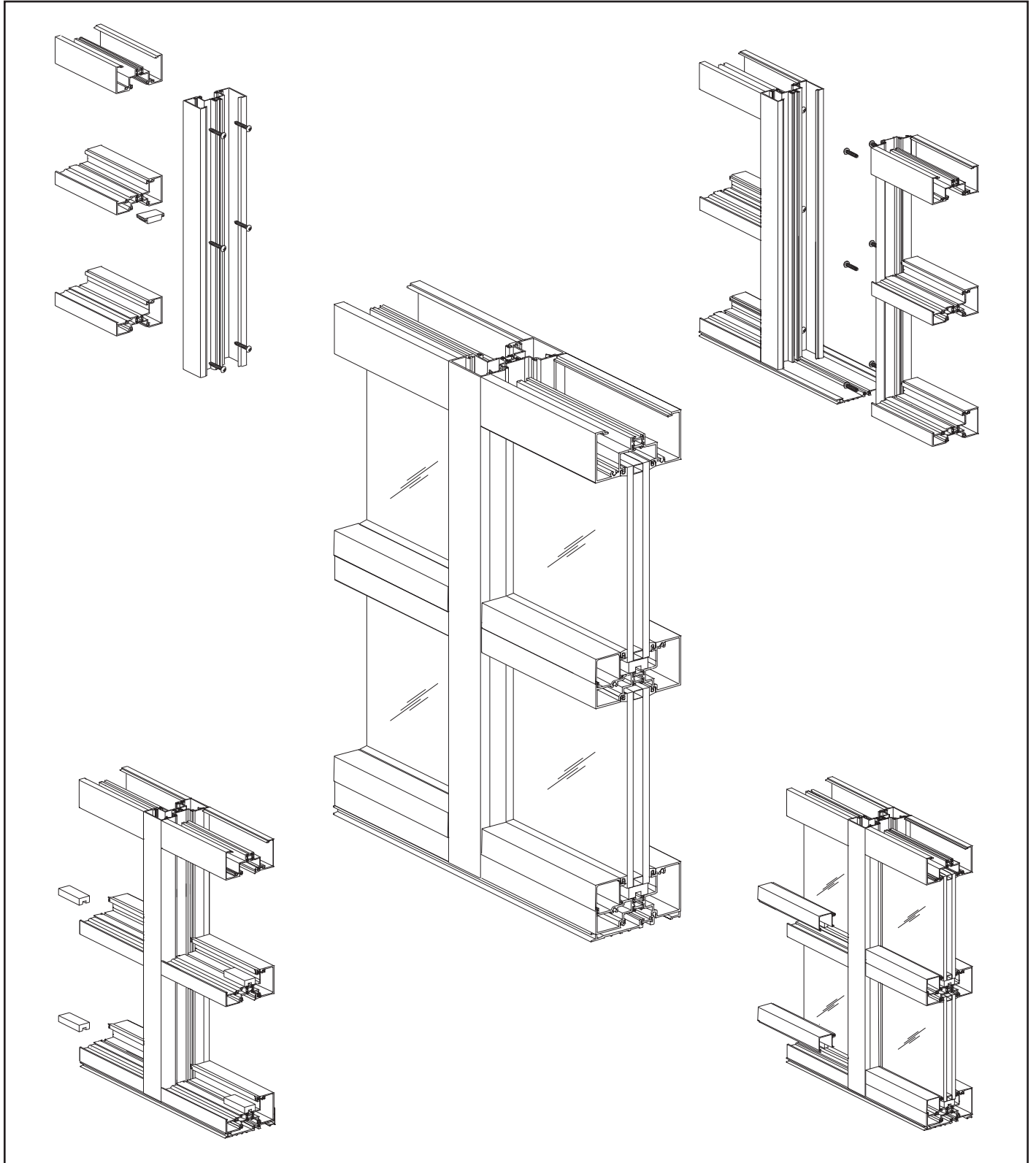


YES 45 FT Thermal Storefront System



Installation Manual

TABLE OF CONTENTS

Installation Notes	Page ii
PARTS DESCRIPTION	
Framing Members	Pages 1 & 2
Door Framing Members.....	Pages 2 & 3
Accessories	Page 4
FRAME FABRICATION	
Determine Frame Size	Page 5
Fabricate Sill Flashing	Page 6
Fabricate Two Piece Verticals for Screw Spline Assembly	Page 7
Fabricate Tubular Verticals for Shear Block Assembly	Page 8
Fabricate Head, Horizontal & Sill Members.....	Page 9
FRAME ASSEMBLY	
Assemble Frames For Screw Spline Assembly.....	Page 10
Assemble Frames For Shear Block Assembly	Page 11
FRAME INSTALLATION	
Install Sill Flashing.....	Pages 12 & 13
Install Sill Flashing for Corners	Page 14
Sill Preparation	Page 15
Prepare Door Jambs.....	Page 15
Install Frames	Page 16
Install Expansion Mullions Where Required	Page 17
Install Corner Assemblies.....	Page 18
Install Optional Compound Mullions	Pages 19 & 20
Apply Perimeter Sealant.....	Page 21
Install Water Deflectors.....	Page 22
Apply Internal Sealant.....	Page 23
Install Glazing Adaptors.....	Page 23
Install Optional Compound Horizontals	Pages 24 to 26
GLAZING	
Install Glazing Gaskets.....	Page 27
Install Glass	Page 28
Install Anti-Walk Blocks	Page 29
Install Glass Stops.....	Page 29

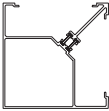

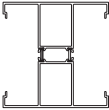



Installation Notes

1. Do not drop, roll or drag boxes of aluminum framing. Move and stack boxes with proper support to prevent distortion. If fork lifts are used be especially careful about striking the boxes when lifting or moving.
2. Store in a dry, out of the way area. If rain exposure, condensation or any water contact is likely, then all packaging material should be removed. Wet packaging materials will discolor and may stain aluminum finishes and paints.
3. All materials should be checked for quality and quantity upon receipt, YKK AP must be notified immediately of any discrepancies in shipment. Check to make sure that you have the required shims, sealants, supplies and tools necessary for the installation.
4. Carefully check the openings and surrounding conditions that will receive your material. Remember, if the construction is not per the construction documents, it is your responsibility to notify the general contractor in writing. Any discrepancies must be brought to the general contractor's attention before you proceed with the installation.
5. Gather your shop drawings, materials, packing list, and this installation manual. Carefully review parts location, the sequence it goes therein, when you glaze it and how you seal it. Installation instructions are of a general nature and may not cover every condition you will encounter. The shop drawings and/or installation manuals were prepared specifically for the product.
6. Any material substitutions must be of equal or greater quality.
7. Make certain that material samples have been sent for compatibility testing for all manufacturer's sealants involved. Make certain sealants have been installed in strict accordance with the manufacturer's recommendations and specifications.
8. Remember to isolate, in an approved manner, all aluminum from uncured masonry or other incompatible materials.
9. System-to-structure fasteners are not supplied by YKK AP. Fasteners called out on shop drawings are to indicate minimum sizes for design loading.
10. Entrances are to be installed plumb, square, level and true.
11. If any questions arise concerning YKK AP products or their installation, contact YKK AP for clarification before proceeding.
12. YKK AP storefront and/or curtain wall framing is typically completed before drywall, flooring and other products which may still be in process. Take the extra time to wrap and protect the work produced.
13. Cutting tolerances are plus zero (0"), minus one thirty second (-1/32") unless otherwise noted.
14. Check our website, www.ykkap.com, for the latest installation manual update prior to commencing work.

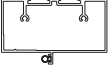

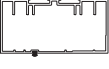





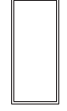
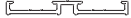



YES 45 FT FRAMING MEMBERS (2-1/4" x 4-1/2")

	Head/Jamb/Vertical	BE9-1503		Sidelite Base (4-1/2" x 4-1/2")	BE9-1513
	Horizontal	BE9-1506		Vertical/Horizontal (4-1/2" x 4-1/2")	BE9-1514
	Sill/Horizontal	BE9-1504		Expansion Mullion Male	BE9-1516
	Glass Stop	E9-1015		Expansion Mullion Female	BE9-1517
	Tubular Vertical	BE9-1507		Hinged Mullion 0° to 15° Male	BE9-1522
	Heavy Duty Two Piece Vertical	BE9-1515		Hinged Mullion 0° to 15° Female	BE9-1523
	Shallow Pocket Filler (Slotted)	BE9-1512		Head Receptor Elastomer Weathering E2-0051 Not Included	BE9-1520
	Two Piece Vertical/Jamb	BE9-1518		Head Receptor Stop Elastomer Weathering E2-0051 Not Included	E9-1033
	Shallow Pocket Filler (MegaTherm®) Use with BE9-1518 Only	BE9-1519		Glazing Adaptor For 5/8" & 3/4" Glazing	E9-1039
	Sill Flashing	BE9-1510		Glazing Adaptor For 3/16", 1/4", 5/16", & 3/8" Glazing	E9-1040

YES 45 FT FRAMING MEMBERS (2-1/4" x 4-1/2")





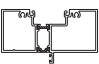


	Two Way 90° Corner Post Use with BE9-1509	BE9-1511		2-1/2" x 3/4" Face Cover * For Custom Mullions and Horizontals	E9-1206
	Vertical (4-1/2" x 4-1/2") Use with BE9-1509	BE9-1521		Deep Pocket Filler	BE9-1509
	Adaptor for High Sill	BY7-9478		Flat Filler	E9-1038

YES 45 FT DOOR FRAMING MEMBERS

	Single Acting Transom Bar Elastomer Weathering E2-0051 Included	AS-1565		Transom Glass Stop For 1/4" Glazing	E9-0403
	Double Acting Transom Bar Pile Weathering E2-0062 Included	AS-1566		Transom Glass Stop For 1" Glazing	E9-0413
	Single Acting Door Jamb Elastomer Weathering E2-0051 Included	AS-0411		Transom Glazing Pocket For 1/4" Glazing	E9-0434
	Double Acting Door Jamb	E9-0415		Transom Glazing Pocket For 1" Glazing	E9-0435
	Intermediate Door Jamb	E9-9312		Sash Base Use with E9-0403 or E9-0413 Glass Stops	E9-0408
	Door Stop O/P Assembly Elastomer Weathering E2-0051 Included Used with E9-1113	AS-0409		Threshold 1/2" x 4"	E9-0407
	Door Stop Base Used with AS-0409	E9-1113			

* Other sizes available. Contact YKK AP for more information.

YES 45 FT THERMAL DOOR FRAMING MEMBERS

 <p>Single Acting Door Jamb For 25T/35T/50T Doors Elastomer Weathering E2-0051 Not Included</p>	<p>BE9-2581</p>	 <p>Transom Glazing Pocket For 1" Glazing</p>	<p>BE9-2583</p>
 <p>Deep Pocket Filler</p>	<p>BE9-2609</p>	 <p>Snap-in Pocket Filler</p>	<p>BE9-2571</p>
 <p>Transom Bar For 25T/35T/50T Doors Elastomer Weathering E2-0051 Not Included</p>	<p>BE9-2582</p>	 <p>Threshold 1/2" x 4-1/2" For 25T/35T/50T Doors</p>	<p>BE9-0465</p>
 <p>Transom Glass Stop For 1" Glazing</p>	<p>E9-1592</p>		

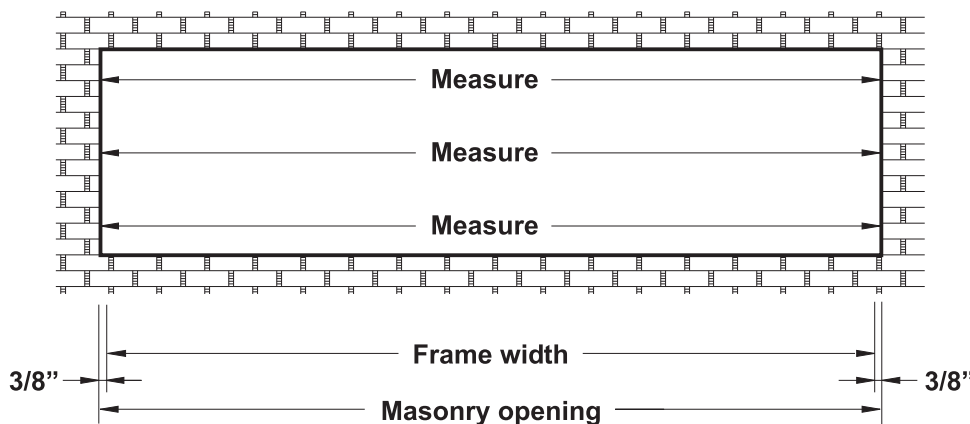
YES 45 FT Accessories

	Shear Block For Head, Horizontal & Sill (Interior Side)	E1-1014		Glazing Gasket	E2-0052
	Shear Block For Head, Horizontal & Sill (Exterior Side)	E1-1015		Glazing Gasket	E2-0053
	End Dam For Sill Flashing BE9-1510	E1-0168		Glazing Gasket	E2-0064
	Splice Sleeve For Sill Flashing BE9-1510	E1-0174		Elastomer Weathering	E2-0051
	Head Anchor 4" Long	E1-2602		Pile Weathering	E2-0062
	Flat Filler Use at all Head & Jamb Anchor Locations	E1-1054		Weathering Gasket	K2-2441
	Setting Block	E2-0020		#10 x 1-3/4" PHSMS Type AB, Zinc Plated Steel For Attachment of Shear Blocks to Verticals	PC-1028
	Setting Block For Transom Head 1" Glazing	E2-0056		#12 x 3/4" FHSMS Type AB, Zinc Plated Steel For Attachment of Head to Shear Block	FC-1212
	Water Deflector	E2-0047		#12 x 5/8" PHSMS Type AB, Zinc Plated Steel For Attachment of Horizontal & Sill to Shear Block	PC-1210
	Anti-Walk Block For Deep Pockets	E2-0154		#12 x 1-1/4" PHSMS Type AB, Zinc Plated Steel For Screw Spline Attachment	PC-1220

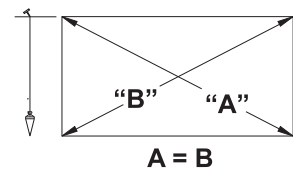
FRAME FABRICATION

STEP 1 DETERMINE FRAME SIZE

Determine Frame Width:



Note: Check the opening for squareness and plumb at both ends. Units must be installed in a true rectangle.

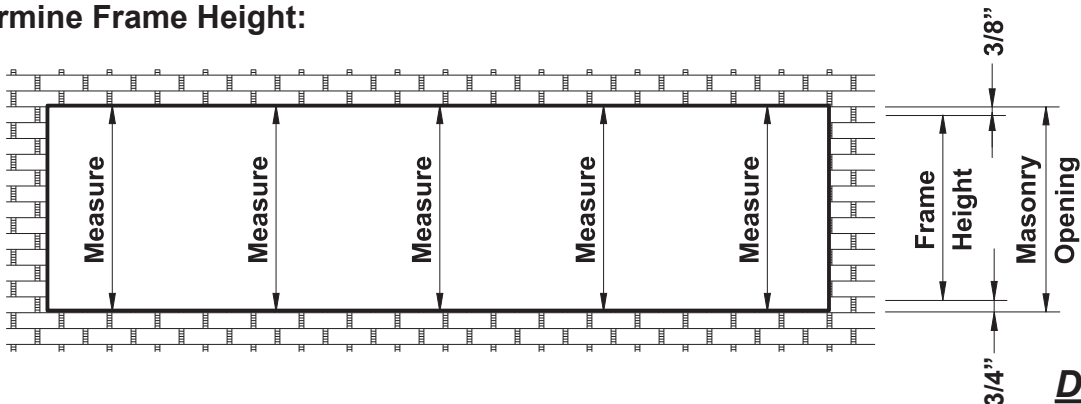


Detail 1

- Measure the width of the masonry opening at the top, middle and bottom.
 - Select the smallest dimension measured and subtract 3/4" to the determine the frame width to be used.
- See **Detail 1**.

NOTE: Frame widths over 24'-0" require expansion mullions every 12 to 15 feet (best location at vertical next to the door jamb.)

Determine Frame Height:



Detail 2

- Measure the height of the masonry opening in several places along the entire length of the opening.
- Select the smallest dimension measured and subtract 1-1/8" to determine the frame height to be used:
 - 3/8" shim/caulk joint at the head.
 - 3/8" for sill flashing, BE9-1510.
 - 3/8" shim/caulk joint below the sill flashing.

See **Detail 2**.

FRAME FABRICATION

STEP 2 FABRICATE SILL FLASHING

For elevations without door framing:

-Cut sill flashing, BE9-1510, to the frame width determined in **Step 1**.

For elevations with door framing:

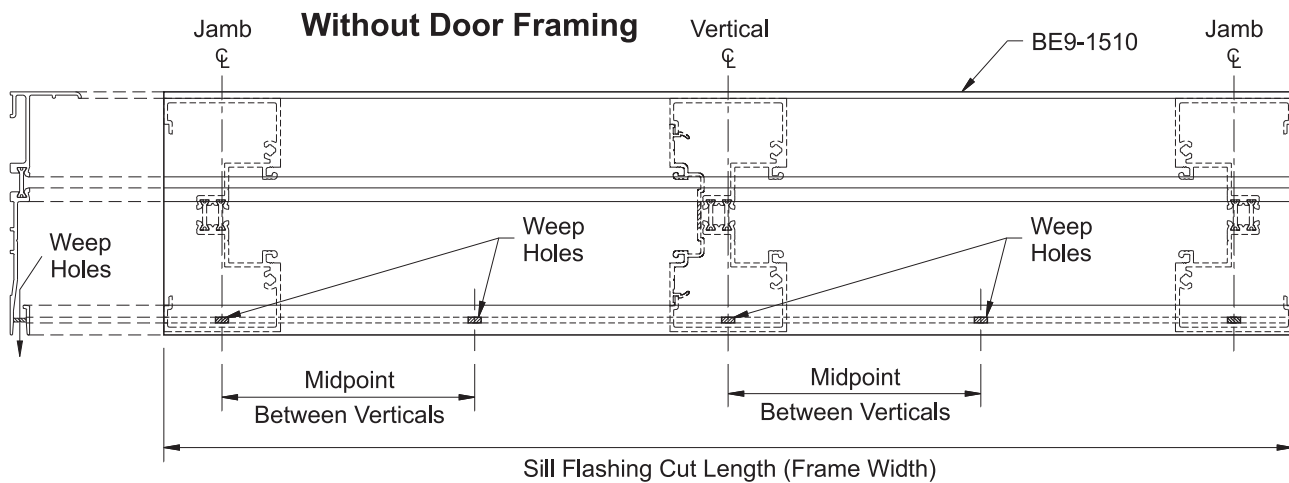
-Cut the sill flashing, BE9-1510, from the end of the frame to the door jamb.
(See approved shop drawings for this dimension)

See **Detail 3**.

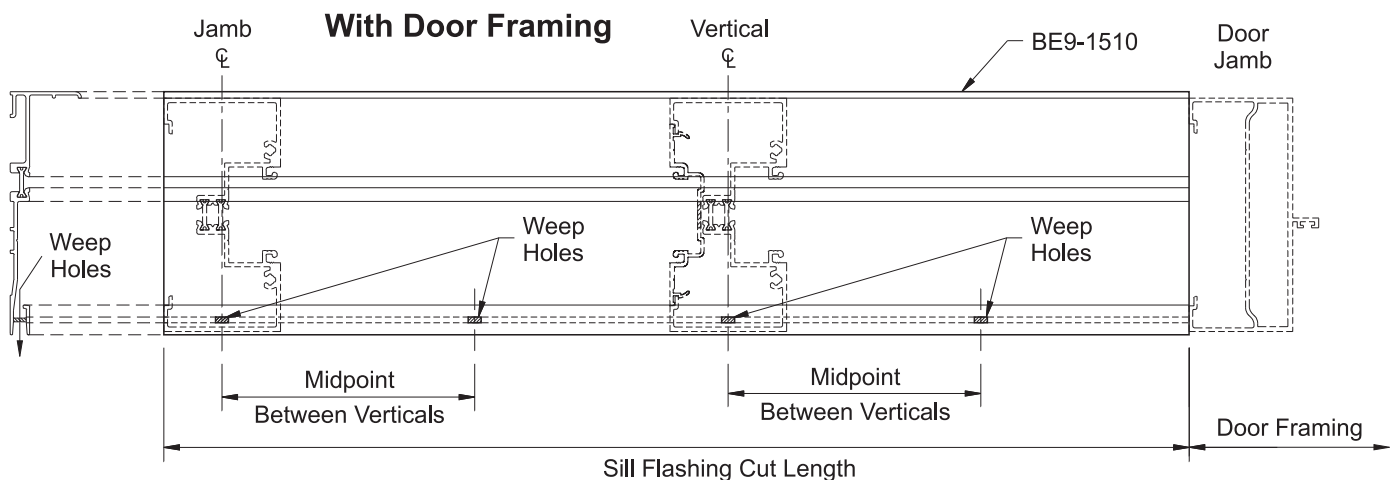
Fabricate Weep Holes in Sill Flashing:

-Mark the centerline of each vertical and the midpoint between verticals on the sill flashing.
-Drill a 1/4" diameter weep hole in the face of the sill flashing at each location marked.

Note: For openings longer than 24'-0" the sill flashing needs to be spliced every twelve to fifteen feet. Allow a 3/8" joint for expansion between sill flashing members.



Detail 3



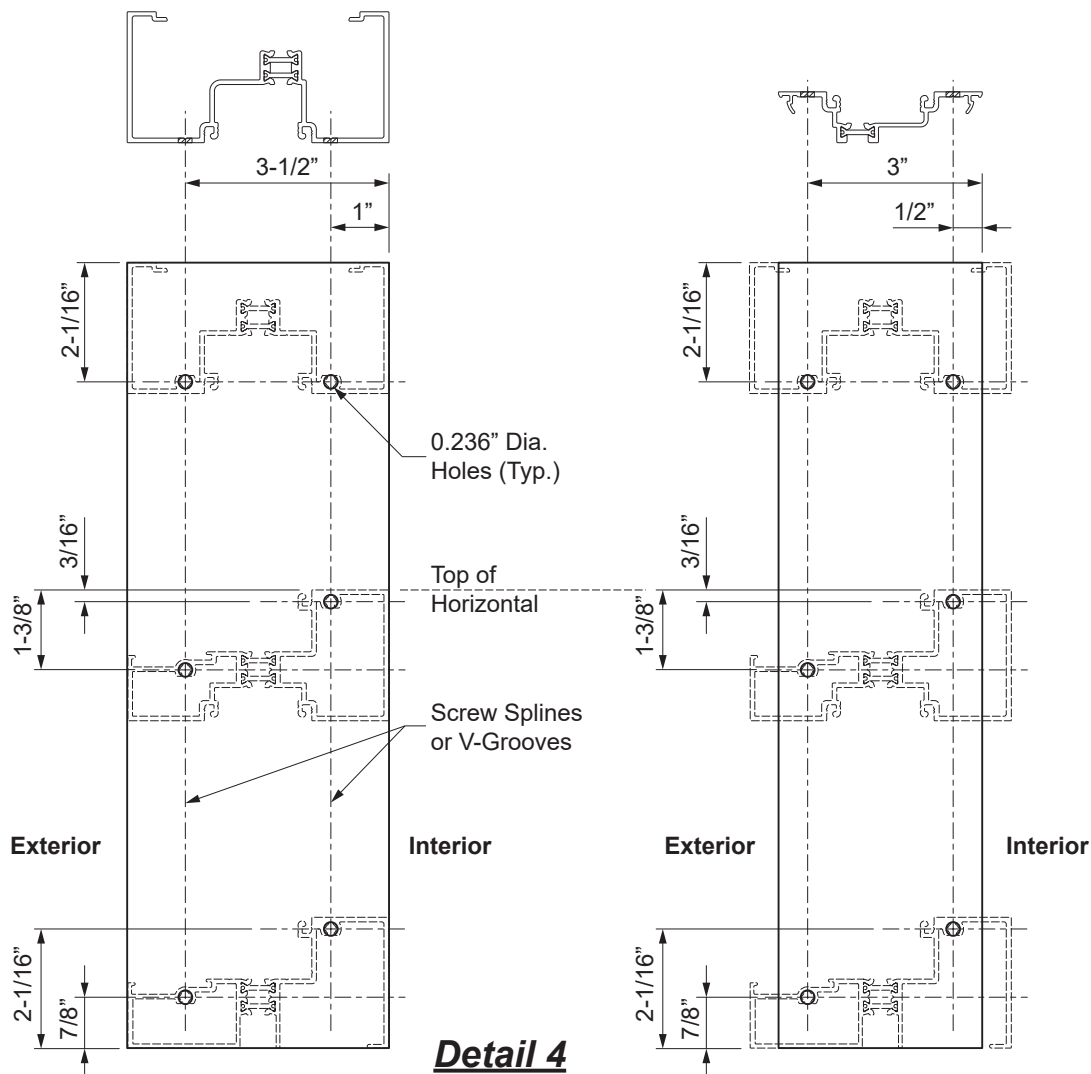
FRAME FABRICATION

STEP 3 FABRICATE TWO PIECE VERTICALS FOR SCREW SPLINE ASSEMBLY

-Cut the vertical, pocket filler, and jamb members to the frame height determined in **Step 1**.

-Fabricate vertical members for screw spline attachment using one of the methods below:

1. Using a short piece of each horizontal member as a template, center the template on the face of the vertical member, mark the location of each hole, and drill 0.236" diameter holes at each location.
2. Lay out the hole locations as shown in **Detail 4** and drill 0.236" diameter holes at each location.
3. Use the YKK AP drill fixture, H-7201, to drill the holes.
4. Use punch press with appropriate die set.



FRAME FABRICATION

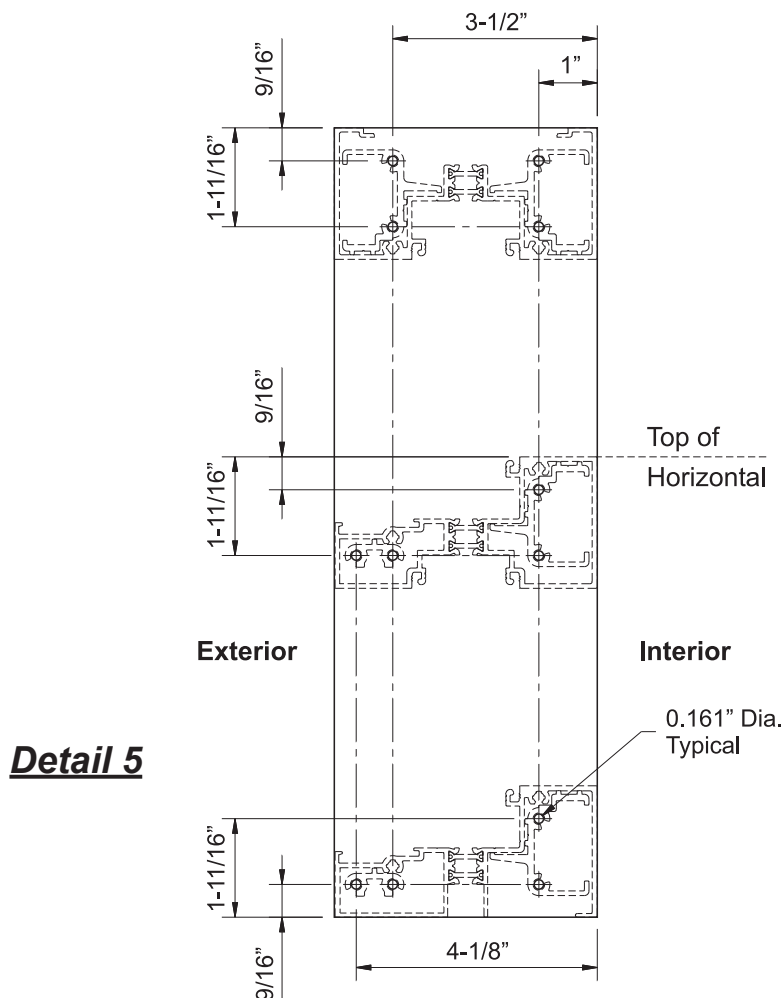
**STEP 4
FABRICATE TUBULAR VERTICALS
FOR SHEAR BLOCK ASSEMBLY**

- Cut the vertical and jamb members to the frame height determined in **Step 1**.
- Tubular verticals require shear blocks for the attachment of head, horizontal & sill members.
- Mark the location for each shear block using one of the methods below:
 1. Using a short piece of each horizontal member with shear blocks installed as a template, center the template on the face of the vertical and mark each hole location.

OR

2. Layout the hole locations for the shear blocks as shown in **Detail 5**.

-Drill a 0.161" diameter (#20 drill bit) hole at each location marked.



FRAME FABRICATION

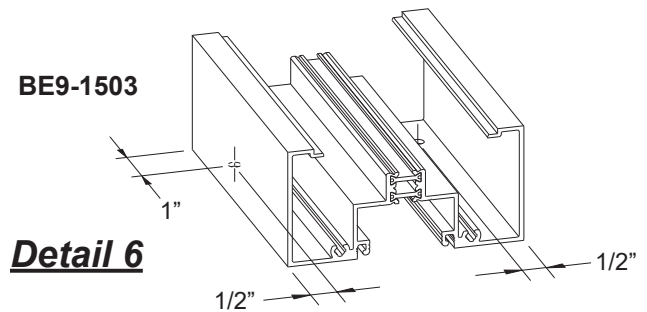
STEP 5 FABRICATE HEAD, HORIZONTAL & SILL MEMBERS

-Cut head, horizontal and sill members to the appropriate daylight opening indicated on the shop drawings.

-Horizontal members that will be attached to shear blocks require additional fabrication:

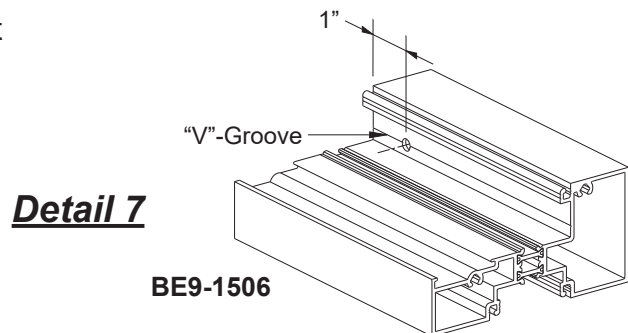
Head Members:

- Mark two hole locations at each end, 1" from the ends and 1/2" from the sides of the head.
 - Drill a 0.236" diameter (# B drill bit) hole at each location marked and countersink for a #12 flat head fastener (FC-1212).
- See **Detail 6**.



Horizontal & Sill Members:

- Mark a hole location at each end, 1" from the ends centered along the "V"-groove.
 - Drill a 0.236" (# B drill bit) diameter hole at each location marked.
- See **Detail 7**.



STEP 6 FABRICATE GLASS STOPS & GLAZING ADAPTORS

-Cut glass stops to the same dimension their respective horizontals minus(-) 1/32".

-Cut glazing adaptors to the daylight opening minus(-) 1/32".

FRAME ASSEMBLY

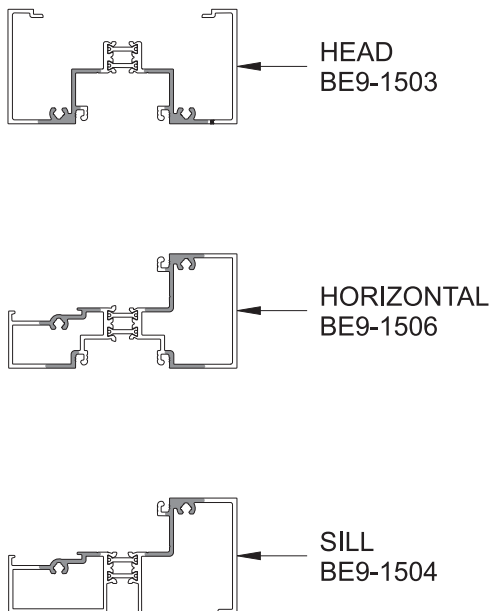
**STEP 7
ASSEMBLE FRAMES**

Screw Spline Assembly:

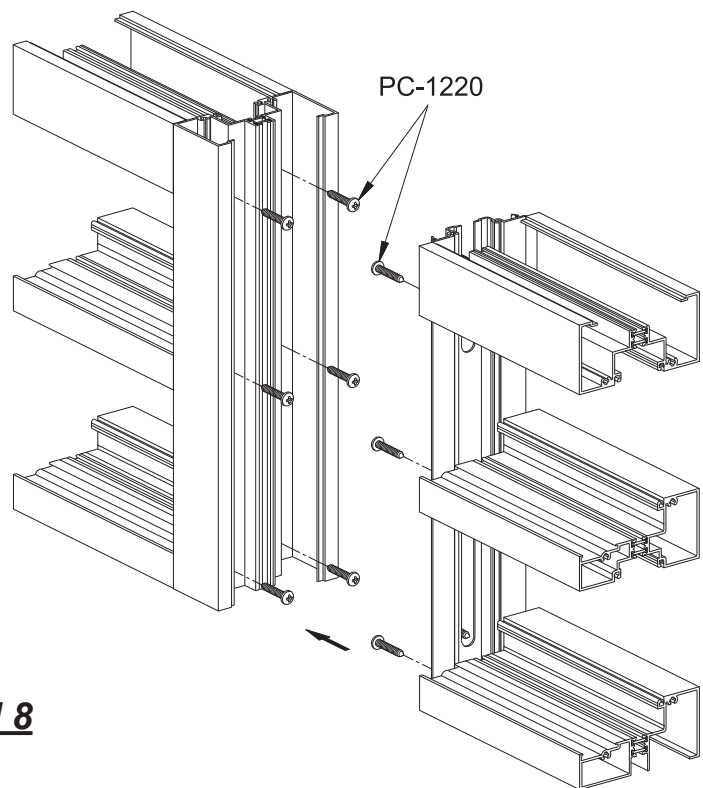
- Clean all joint surfaces using cleaner approved by sealant manufacturer.
- Apply sealant to both ends of head, horizontal and sill members just prior to assembly.
- Attach head, horizontal, and sill members to vertical members with two (2) PC-1220 fasteners at each end.
- Tool the sealant into the joints and wipe away any excess sealant.

See **Detail 8**.

CAUTION: Always assemble frames such that each lite of glass will have a minimum of one deep vertical glazing pocket.



Apply sealant to the shaded areas at each end.



Detail 8

FRAME ASSEMBLY

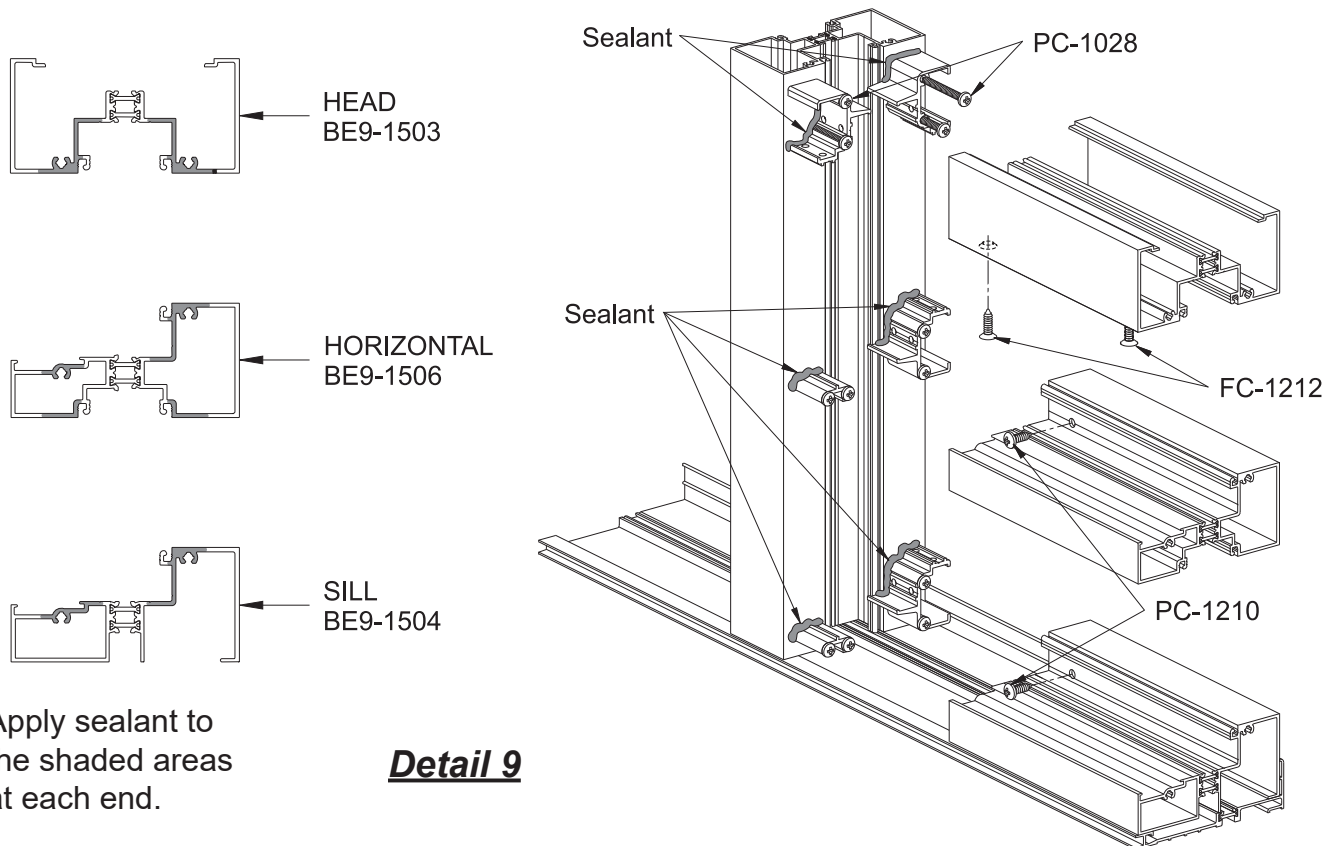
STEP 7 (Continued) ASSEMBLE FRAMES

Shear Block Assembly:

- Clean all joint surfaces using cleaner approved by sealant manufacturer.
- Apply sealant to both ends of head, horizontal and sill members just prior to assembly.
- Apply sealant to the shear blocks as shown.
- Attach head members to shear blocks with two (2) FC-1212 fasteners at each end.
- Attach horizontal and sill members to shear blocks with one (1) PC-1210 fastener at each end.

See **Detail 9**.

CAUTION: Always assemble frames such that each lite of glass will have a minimum of one deep vertical glazing pocket.



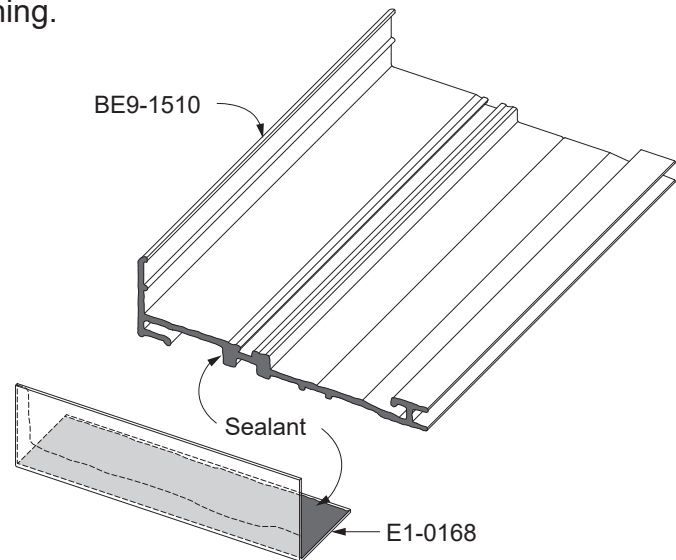
Apply sealant to the shaded areas at each end.

Detail 9

FRAME INSTALLATION**STEP 8
INSTALL SILL FLASHING**

- Clean all joint surfaces using cleaner approved by sealant manufacturer.
- Apply sealant to each end of the sill flashing.
- Apply sealant to the contact surfaces of the E1-0168 end dam and adhere it to each end of the sill flashing.

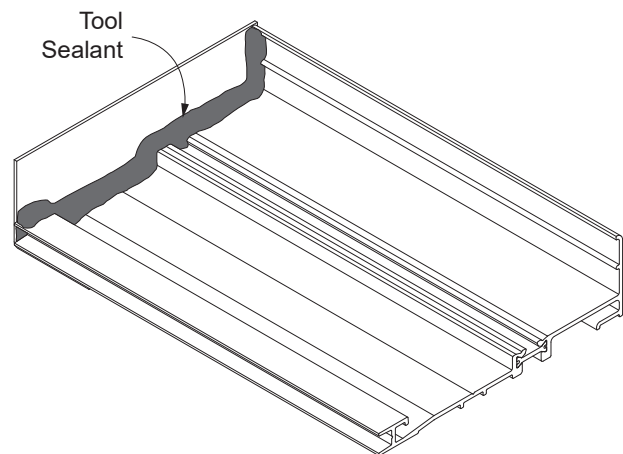
See **Detail 10A**.



Detail 10A

- Apply and tool sealant along the joint between the end dam and the sill flashing. Tape down the back corners to hold the end dam in place until the sealant cures.

See **Detail 10B**.



Detail 10B

FRAME INSTALLATION

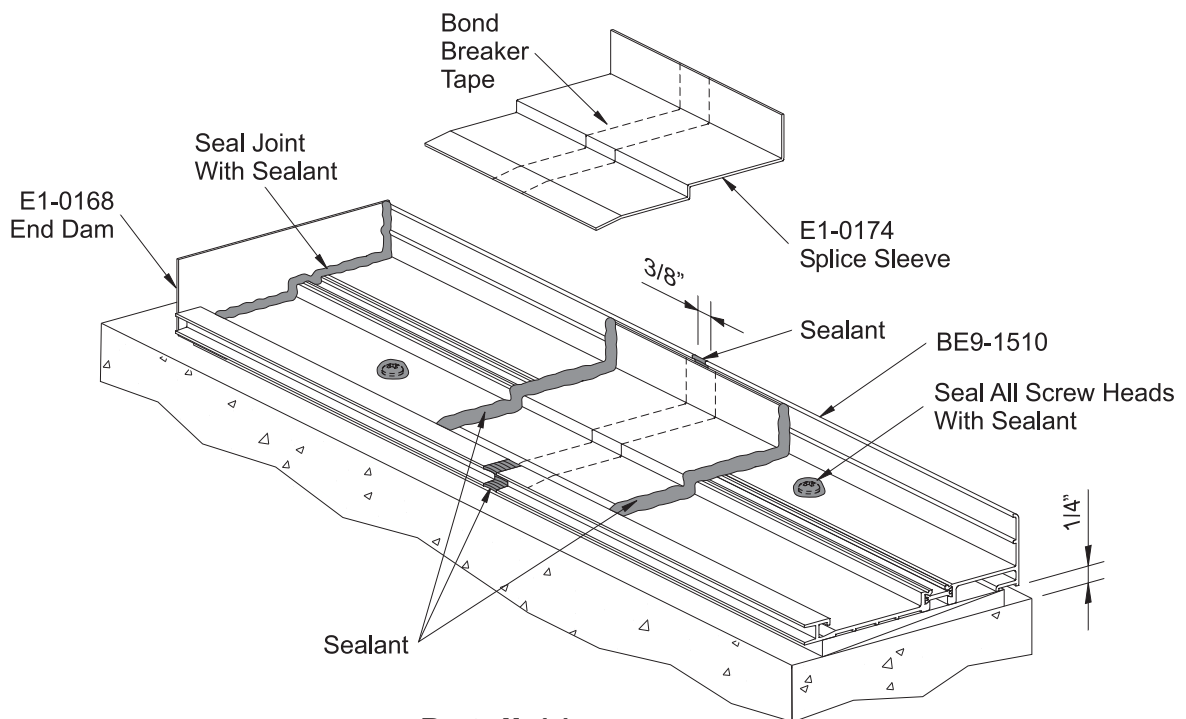
STEP 8 INSTALL SILL FLASHING

- Starting at the smallest opening height, install the sill flashing with a minimum of 1/4" shim underneath. Sill flashing must be installed level.
- Anchor the sill flashing to the structure a maximum of 4" from each end and then 18" to 24" on center. Alternate the anchors from front to back.
- Apply and tool sealant to the heads of all fasteners.

The sill flashing must be spliced every twelve to fifteen feet using splice sleeve, E1-0174:

- Apply bond breaker tape to center of the splice sleeve on the underside.
- Apply a generous amount of sealant to both sides of the sill flashing splice.
- Center the splice sleeve over the 3/8" splice joint.
- Tool the sealant up and over the edges of the splice sleeve to completely seal the joint.
- Apply and tool sealant at the front and back faces of the splice joint.

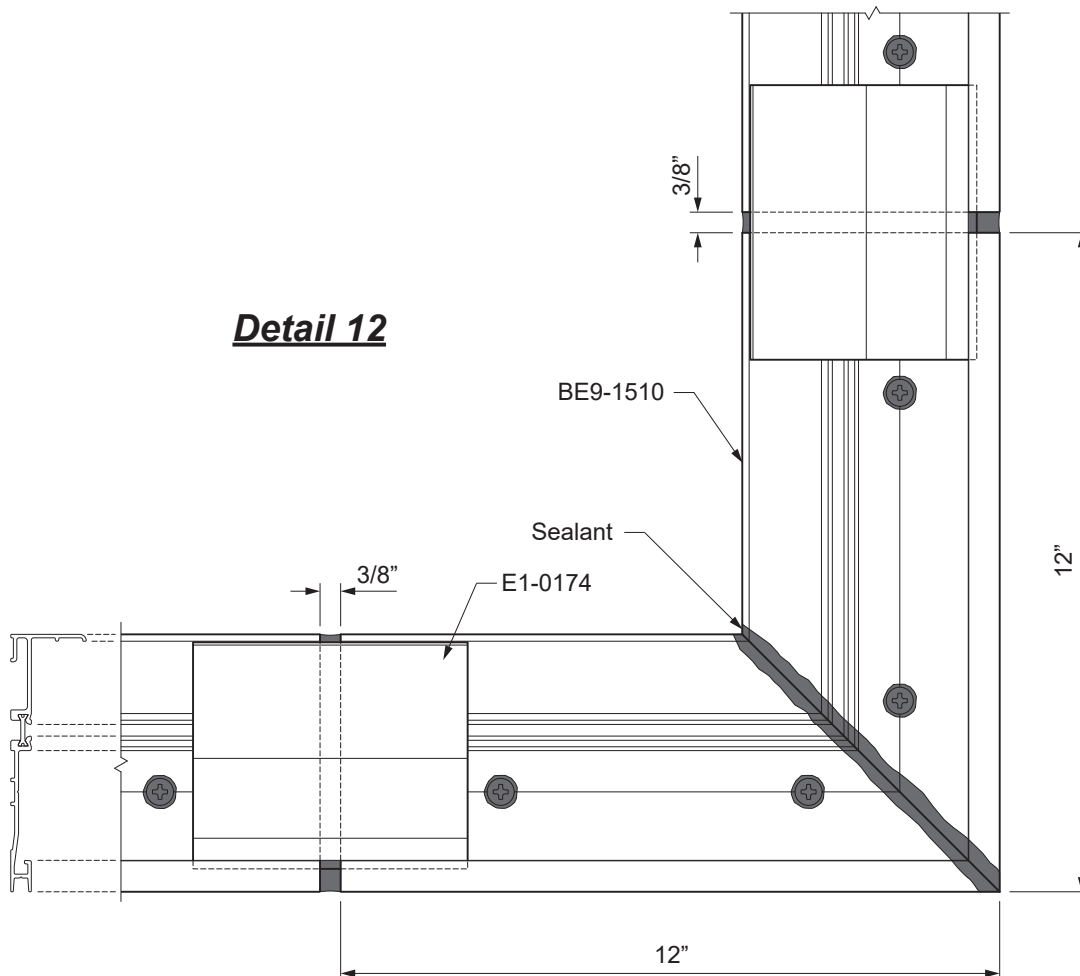
See **Detail 11**.



FRAME INSTALLATION

**STEP 8
INSTALL SILL FLASHING FOR CORNERS**

- Cut two 12" long pieces of sill flashing BE9-1510 and miter (45° for 90° corners.)
- Align the two pieces at the corner condition with the mitered ends pushed together tight and anchor the sill flashing as called out on the approved shop drawings.
- Apply and tool sealant to the mitered joint and anchor heads.
- See **Detail 12**.
- Continue installing the rest of the sill flashing, providing a 3/8" expansion joint at splices as shown in **Step 8** on **Page 13**.

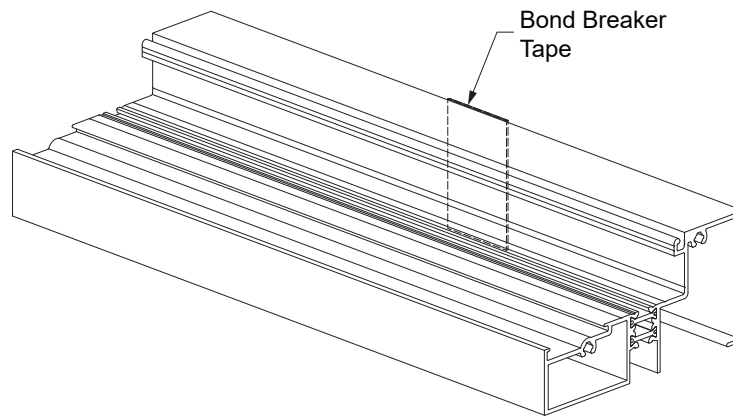


FRAME INSTALLATION

STEP 9 SILL PREPARATION

At every splice condition, apply bond breaker tape to the back of the sill member before the joint is sealed between the sill and sill flashing.

See **Detail 13**.



Detail 13

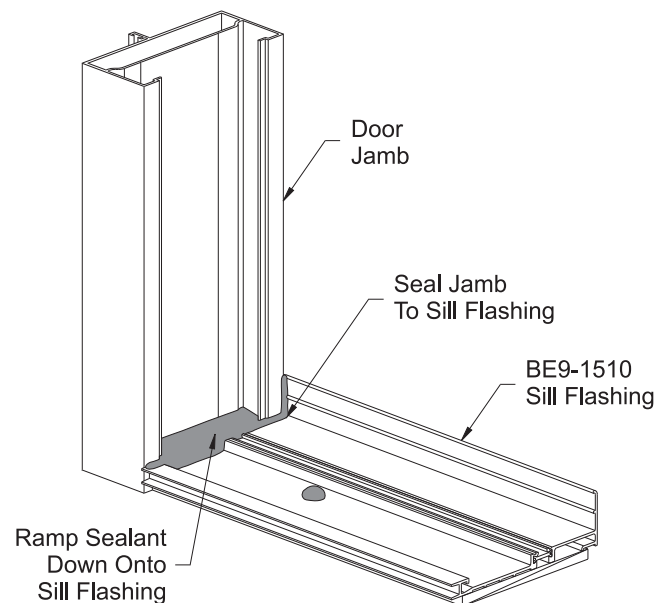
STEP 10 PREPARE DOOR JAMBS

Prior to snapping the assembled frames into the door jamb, the end of the sill flashing needs to be sealed to the door jamb.

- Apply and tool sealant to all sill flashing to door jamb joints.
- Apply sealant to completely fill the door jamb cavity and ramp the sealant down onto the sill flashing.

See **Detail 14**.

Refer to the **Entrances Installation Manual** for door installation instructions.



Detail 14

FRAME INSTALLATION

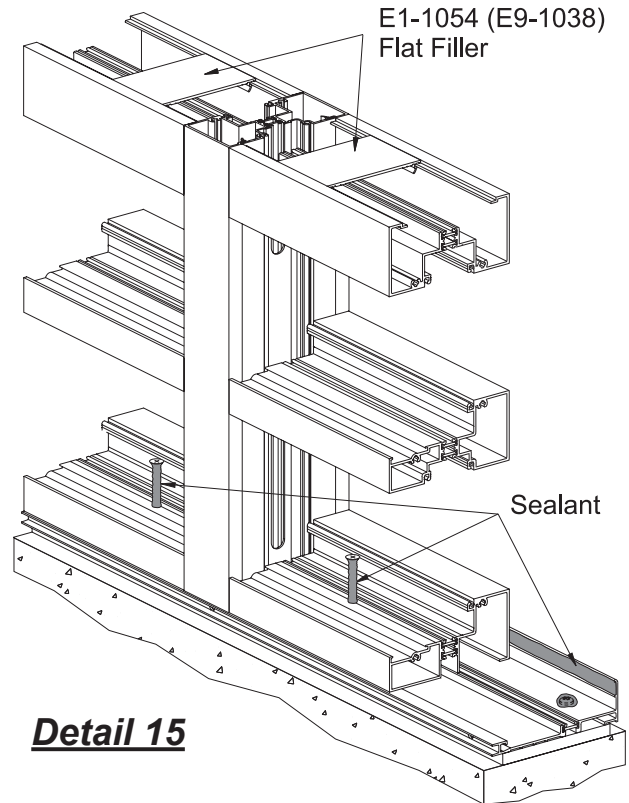
STEP 11 INSTALL FRAMES

- Snap in flat fillers, E1-1054, or 2-1/2" pieces of E9-1038 at head and jamb anchor locations.
- Snap assembled frames together if using screw spline assembly.
- Apply sealant to the front of the back leg of the sill flashing and immediately set the frame into the opening.

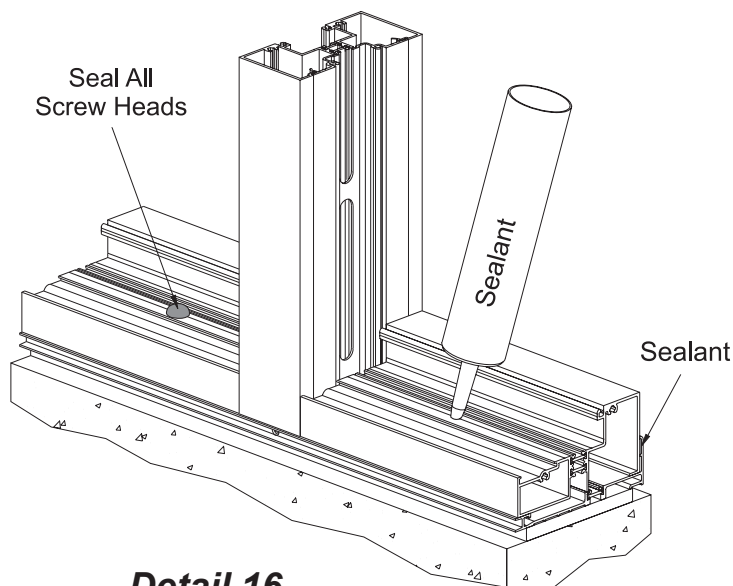
See **Detail 15**.

- Shim jamb and head members with a minimum of 3/8" shim.
- Anchor the frame to the structure at sill*, head, and jamb: 3" from the ends and then 18" to 24" on center. Make sure to locate anchors away from thermal break material.
- Always install a shim at anchor locations.
- Alternate anchors from front to back for head and jamb members.

Note: When anchoring through the thermal break material, install a 1/4" flat washer underneath the anchor head.



Detail 15



Detail 16

*Sill anchors penetrate the sill flashing and must be sealed watertight.

Prior to installing sill anchors:

- Force sealant down through the anchor holes in the sill member.
- Apply sealant to the screw threads of the sill anchor fastener.

-Apply and tool sealant to cover the sill anchor screw heads.

See **Detail 16**.

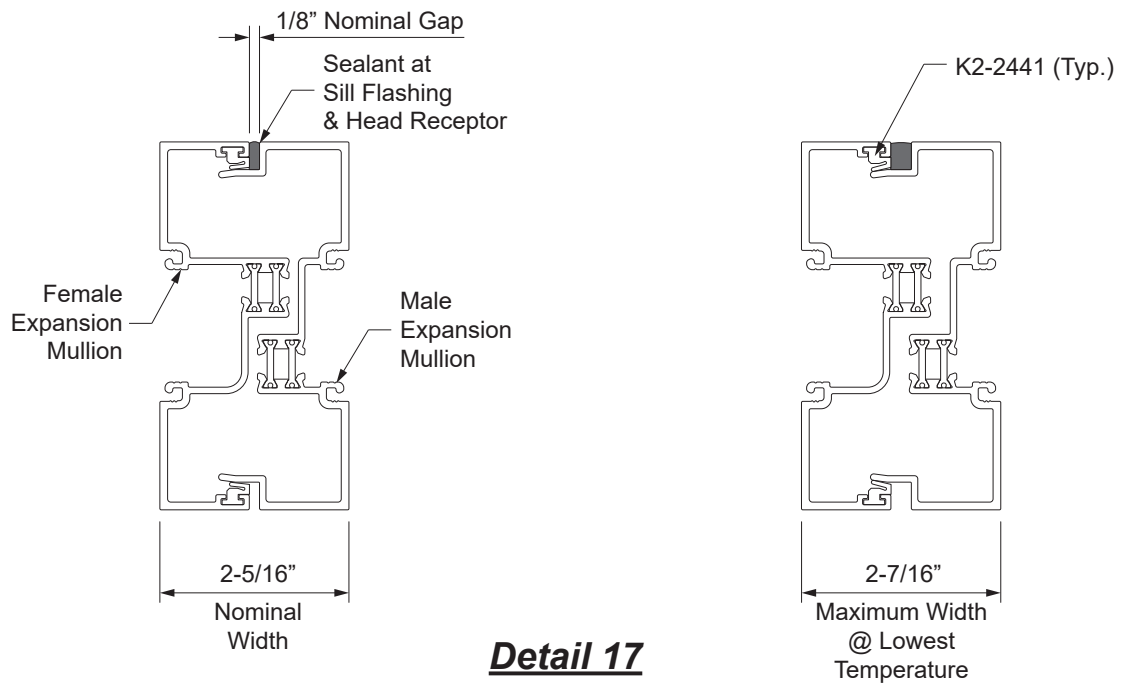
FRAME INSTALLATION

STEP 11 (Continued)

INSTALL EXPANSION MULLIONS WHERE REQUIRED

- Expansion mullions require the K2-2441 weathering gasket in both front and rear reglets.
- During installation, the current air temperature should be taken into account to determine the proper spacing between the mullion halves such that the expansion mullion stays within its allowable width limits during its service in hot and cold weather conditions.
- Fill the interior gap between the mullion halves with sealant at the sill flashing and head receptor.

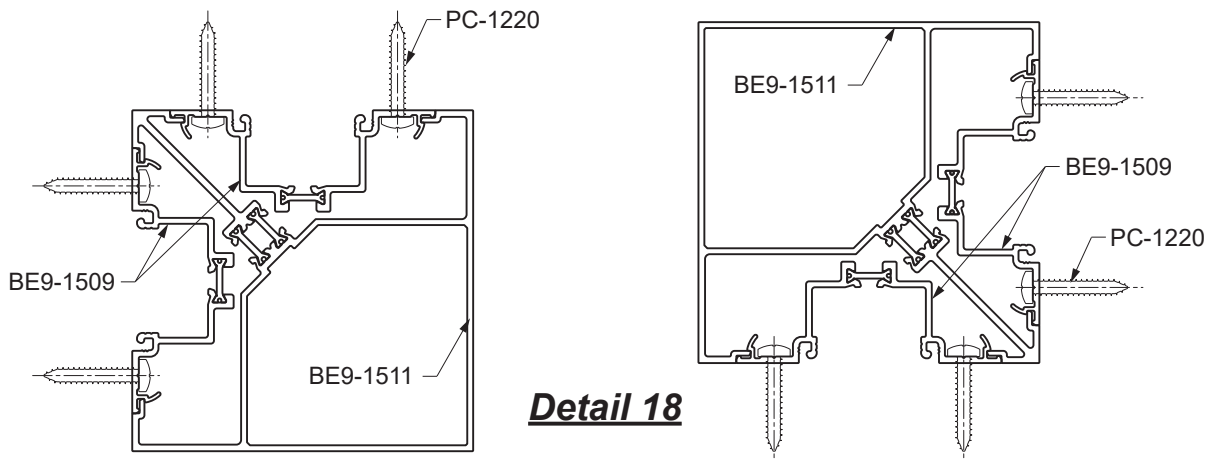
See Detail 17.



FRAME INSTALLATION**STEP 11 (Continued)
INSTALL CORNER ASSEMBLIES**

- Attach horizontal members to standard mullions as shown before in **Step 7**.
- Attach the other end of the horizontal to the deep pocket fillers to be used at the corners.
- Snap the corner framing members together to form the corner assemblies.
- Carefully move the corner assembly into place and snap it into the rest of the frame one side at a time.

See Detail 18.



FRAME INSTALLATION

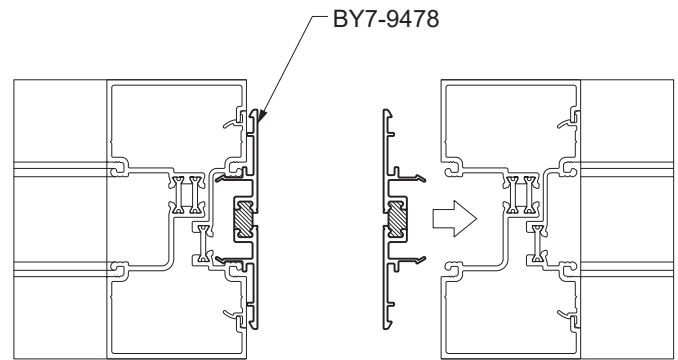
STEP 11 (Continued) INSTALL OPTIONAL COMPOUND MULLIONS

-Snap in the BY7-9478 adaptors (cut full length of the mullion) into the mullions for each frame as shown in **Detail 19**.

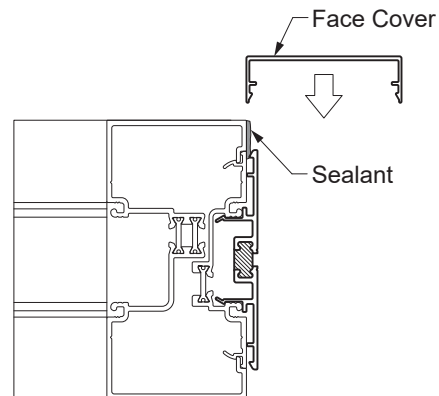
-Apply Sealant to the full length of the first mullion for which the rear face cover will snap into.

-Snap the face cover into place.

See **Detail 20**.



Detail 19



Detail 20

FRAME INSTALLATION

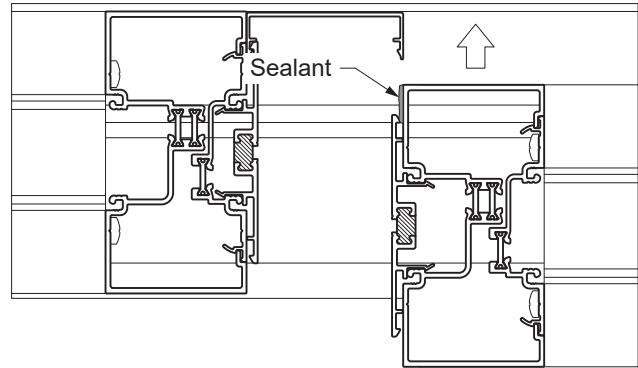
**STEP 11 (Continued)
INSTALL OPTIONAL COMPOUND MULLIONS**

-Apply sealant to the full length of the mullion for the second frame.

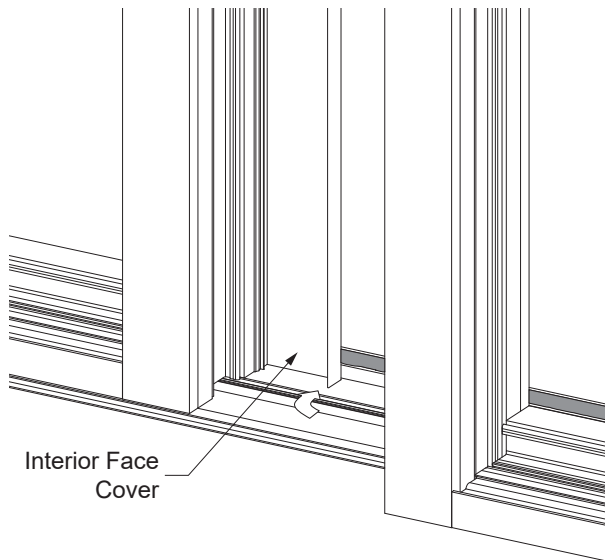
-Snap the second frame into place from the front, engaging the face cover as shown in **Details 21 & 21A**.

-Snap the front face cover into both frames. Start at the sill to clear the front lip of the sill flashing.

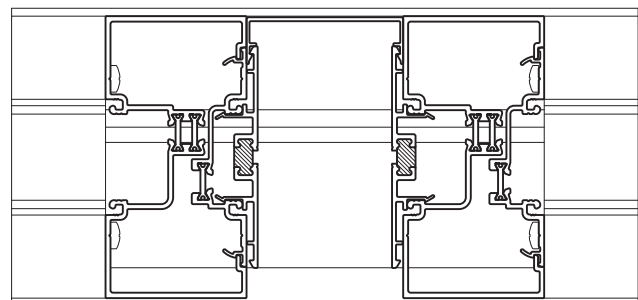
See **Detail 22**.



Detail 21A



Detail 21



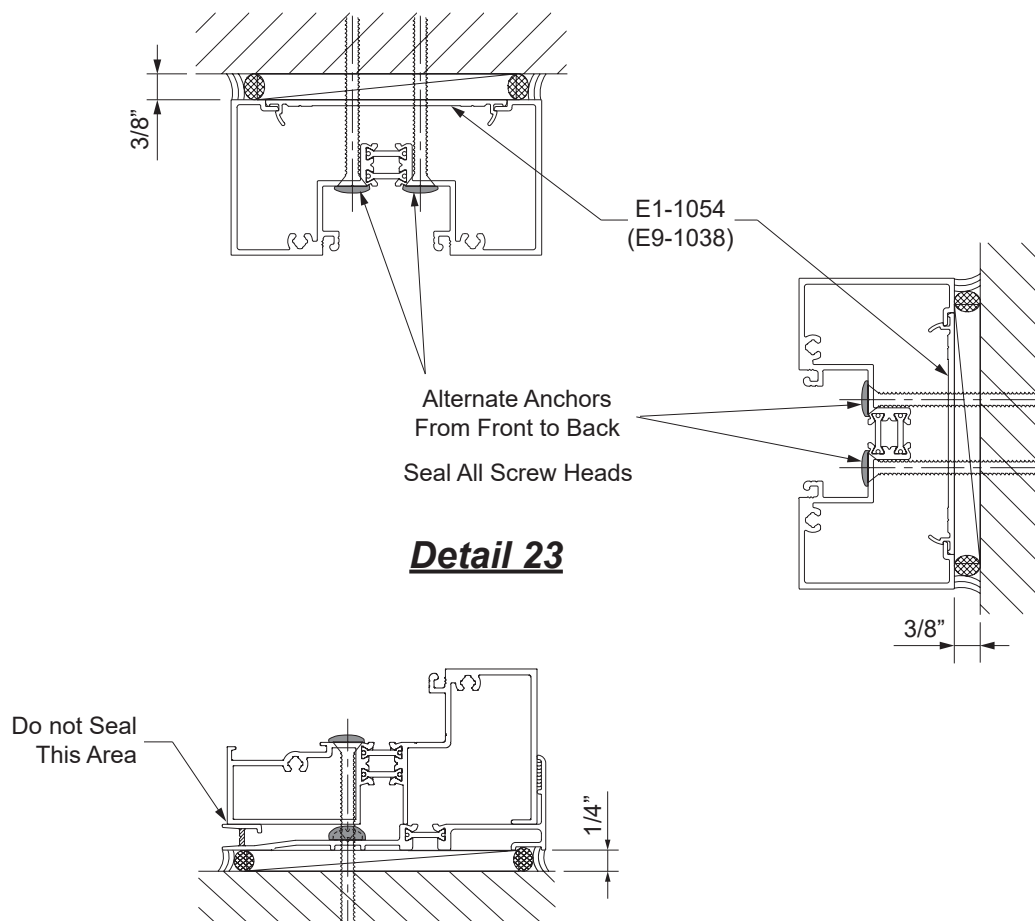
Detail 22

FRAME INSTALLATION

STEP 12 APPLY PERIMETER SEALANT

- Perimeter seal is required on interior and exterior.
- Install backer rod around the perimeter of the frame.
- Apply perimeter sealant to the joint between the frame and the structure.
- Do not** seal the joint between the sill and the sill flashing.
- Make sure all screw heads are sealed.

See **Detail 23**.



FRAME INSTALLATION

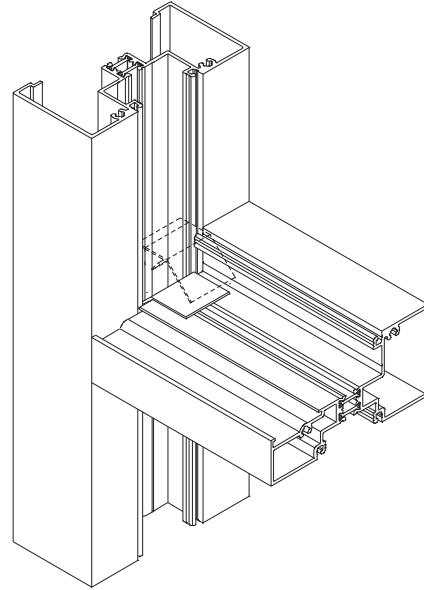
**STEP 13
INSTALL WATER DEFLECTORS**

YES 45 FT requires the installation of a water deflector, E2-0047, at the ends of every intermediate horizontal to keep water off of the insulating glass units.

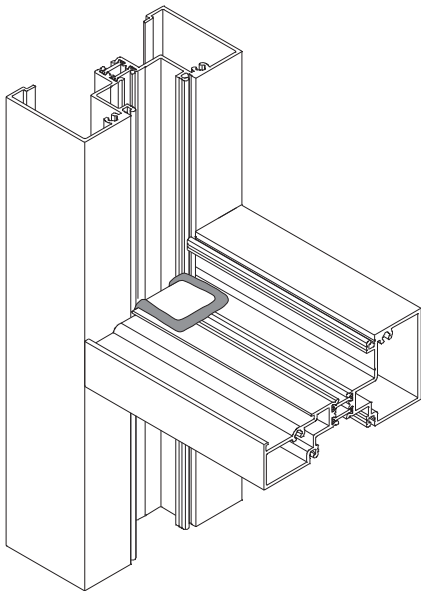
- Peel away the protective paper from the bottom of the water deflector, E2-0047, and install the water deflector by rotating it over each end of the horizontal.
- Position the vertical leg of the water deflector against the end of the horizontal.

Note: For best adhesion, make sure that the horizontal is clean and dry.

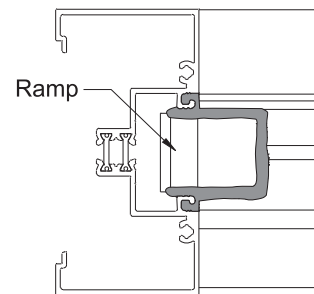
See **Detail 24**.



Detail 24



Detail 25



Detail 26

-Apply and tool sealant along the edges of the water deflector and down onto the horizontal.
See **Detail 25**.

-Seal the ramp of the water deflector to the sides of the vertical gasket reglets.
See **Detail 26**.

FRAME INSTALLATION

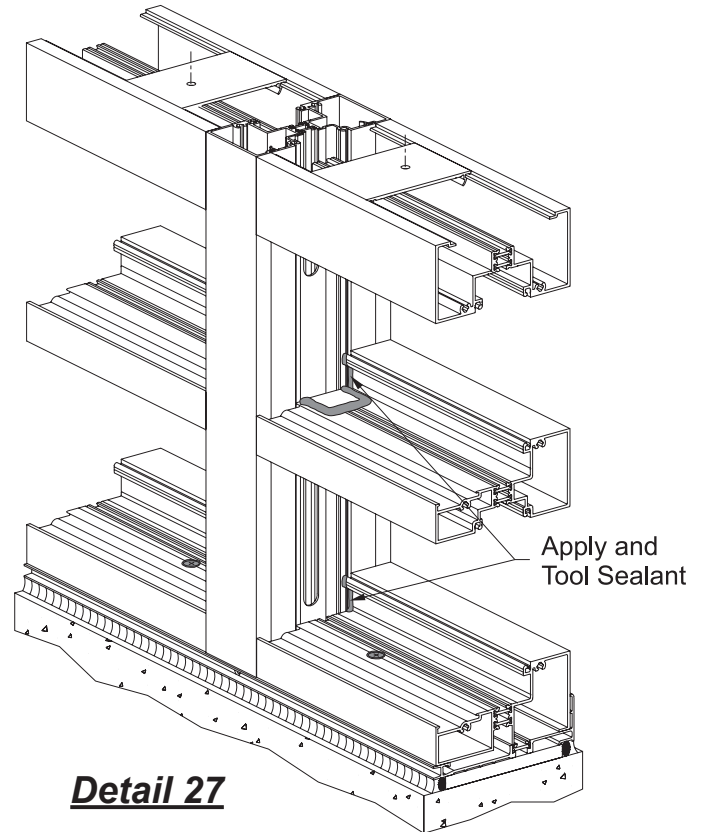
STEP 14 APPLY INTERNAL SEALANT

- Apply a generous amount of sealant to the vertical intersection of the horizontal and vertical members.
- Seal all screw heads.
- Tool all of the sealant to ensure a water tight joint.

See **Detail 27**.

Glazing Table - YES 45 T

Glass Thickness	Adaptor	Exterior	Interior
3/16"	E9-1040	E2-0052	E2-0064
1/4"	E9-1040	E2-0052	E2-0052
5/16"	E9-1040	E2-0053	E2-0052
3/8"	E9-1040	E2-0053	E2-0053
1/2"	E9-1039	E2-0064	E2-0064
5/8"	E9-1039	E2-0052	E2-0052
3/4"	E9-1039	E2-0053	E2-0053
7/8"	—	E2-0064	E2-0064
1"	—	E2-0052	E2-0052

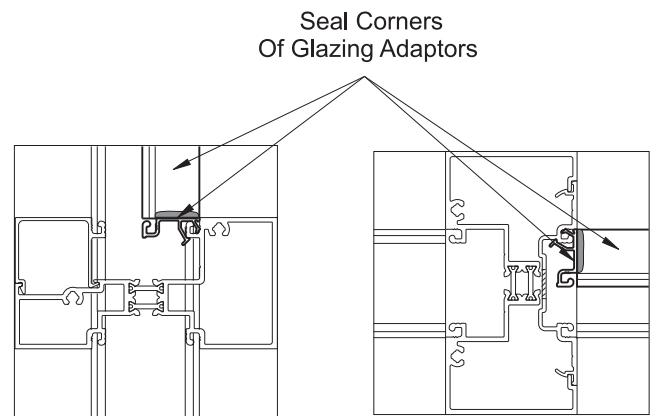


STEP 15 (Optional) INSTALL GLAZING ADAPTORS

Glazing adaptors, E9-1039 and E9-1040, allow for glazing infills other than the standard 1". Please refer to the glazing tables above for possible adaptor/gasket combinations.

- Snap glazing adaptors into the interior gasket reglets of the verticals.
- Snap glazing adaptors into the interior gasket reglets of the horizontals.
- Apply and tool sealant to the joint between vertical and horizontal glazing adaptors.

See **Detail 28**.



Detail 28

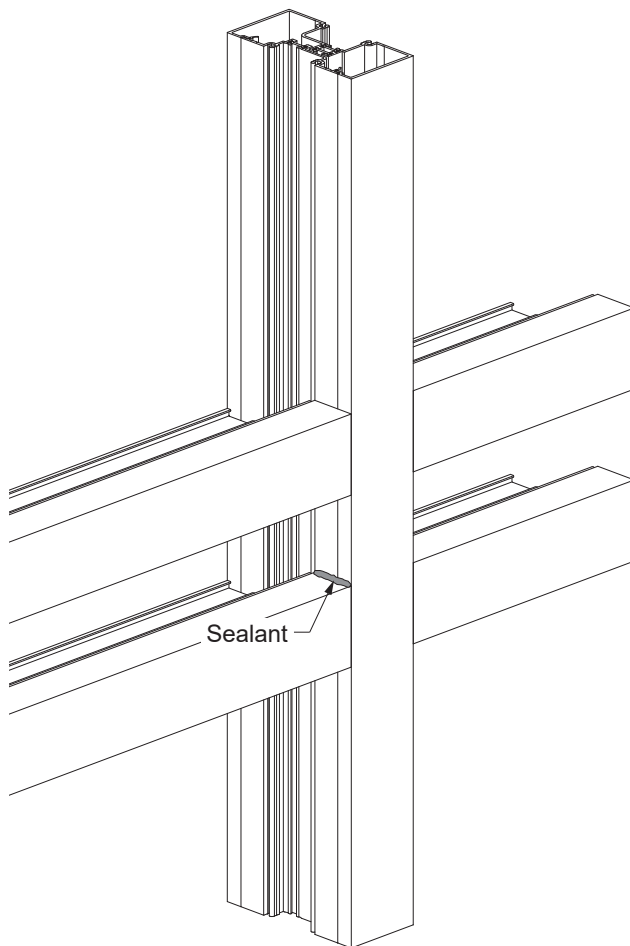
FRAME INSTALLATION**STEP 16 (Optional)
INSTALL OPTIONAL COMPOUND HORIZONTALS**

-Apply sealant to the top of of the lower horizontals where they intersect with the vertical. Tool the sealant. Do not seal the upper horizontal.

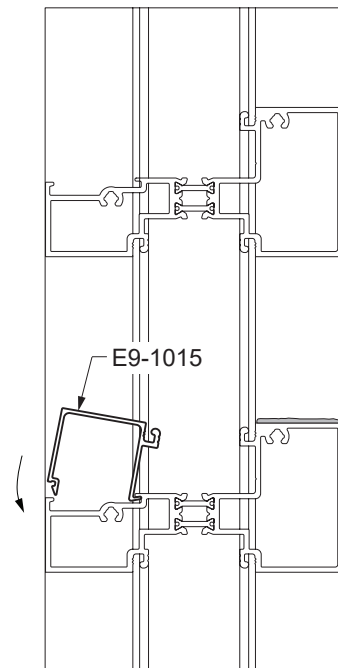
See **Detail 29**.

-Snap the E9-1015 glass stop into the lower horizontal as shown in **Detail 30**. Do not snap glass stops into the upper horizontals yet.

Note: Outside glazing shown, inside glazing similar.



Detail 29

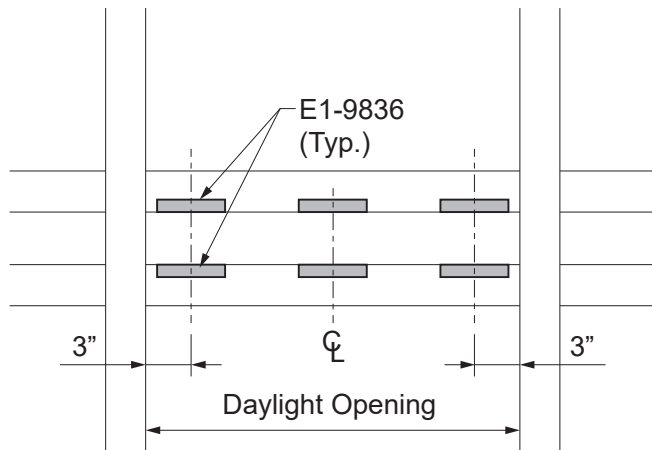


Detail 30

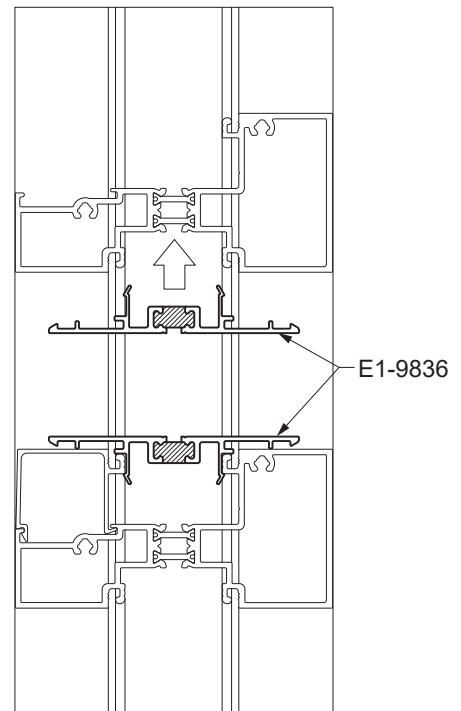
FRAME INSTALLATION

STEP 16 (Optional, Continued) INSTALL OPTIONAL COMPOUND HORIZONTALS

-Snap in the E1-9836 adaptors into the horizontals, one at 3" from each end of each horizontal and one at the middle of each horizontal as shown in **Details 31 & 32**.



Detail 31



Detail 32

FRAME INSTALLATION

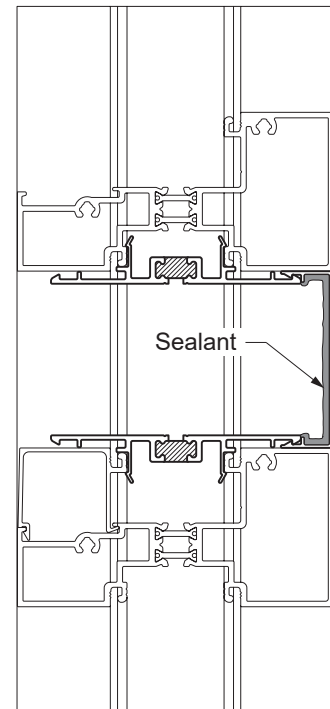
**STEP 16 (Optional, Continued)
INSTALL OPTIONAL COMPOUND HORIZONTALS**

-Cut the front and rear horizontal face covers to Daylight Opening minus(-) 1/16". Apply continuous sealant to the full length of the back of both horizontals where the rear face cover will snap into as shown in **Detail 33**. Snap the rear face cover into place.

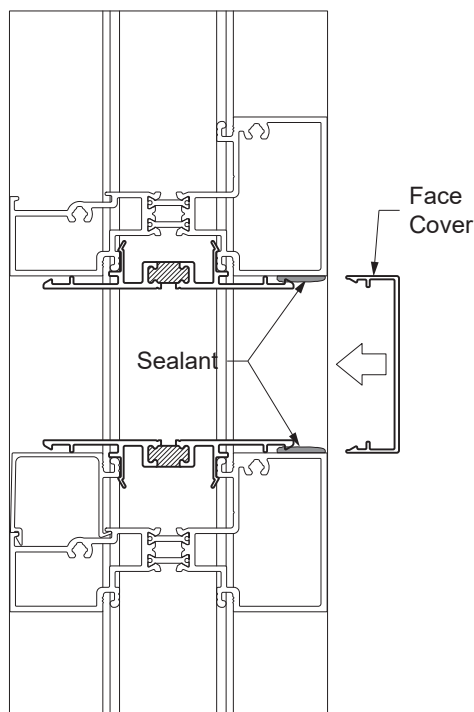
-Seal the joint between the edge of the face cover and the verticals as shown in **Detail 34**.

-Snap the front face cover into place.

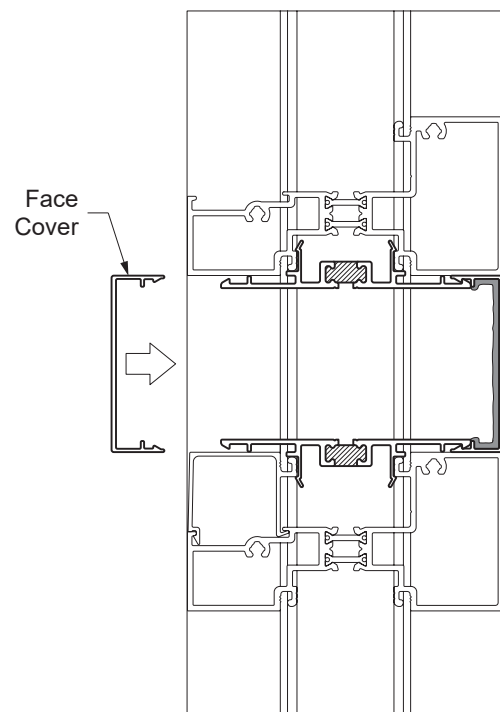
See **Detail 35**.



Detail 34



Detail 33



Detail 35

GLAZING

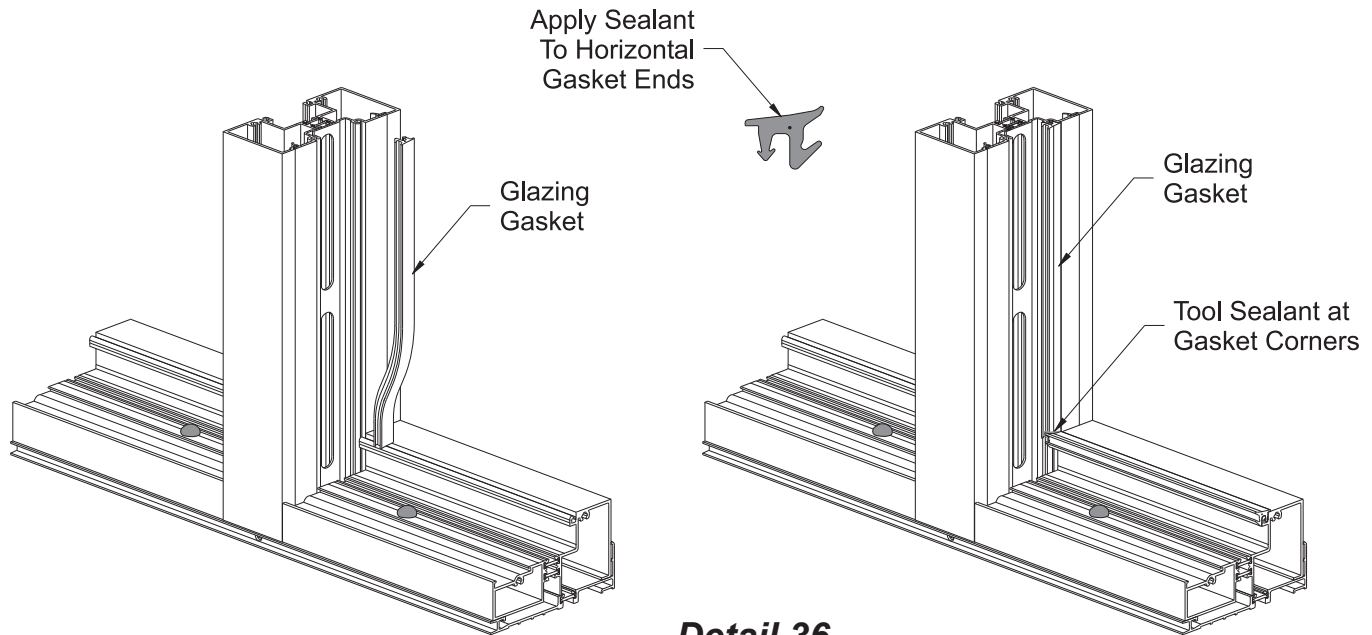
STEP 17 INSTALL GLAZING GASKETS

The interior glazing gaskets must be installed prior to the glazing process.

-Using a small brush clean out any dirt that may have accumulated in the gasket reglets.

Vertical glazing gaskets must be installed first:

- Cut vertical glazing gaskets to Daylight Opening plus(+) 3/16" for each foot of length.
- Insert the gasket into the reglet at each end first, and then insert the gasket at the midpoint of the opening.
- Push the gasket into the reglet starting at the midpoint and work towards each end.



Install horizontal glazing gaskets next:

- Cut horizontal glazing gaskets to Daylight Opening plus(+) 3/16" for each foot of length.
- Apply sealant to each end of the horizontal glazing gasket prior to inserting into the reglet.
- Insert the gasket into the reglet at each end first and push each end tight against the vertical gasket.
- Then insert the gasket at the midpoint of the opening and push the gasket into the reglet starting at the midpoint and work towards each end.
- Tool the excess sealant at the gasket corners to ensure a watertight seal.

See **Detail 36**.

GLAZING

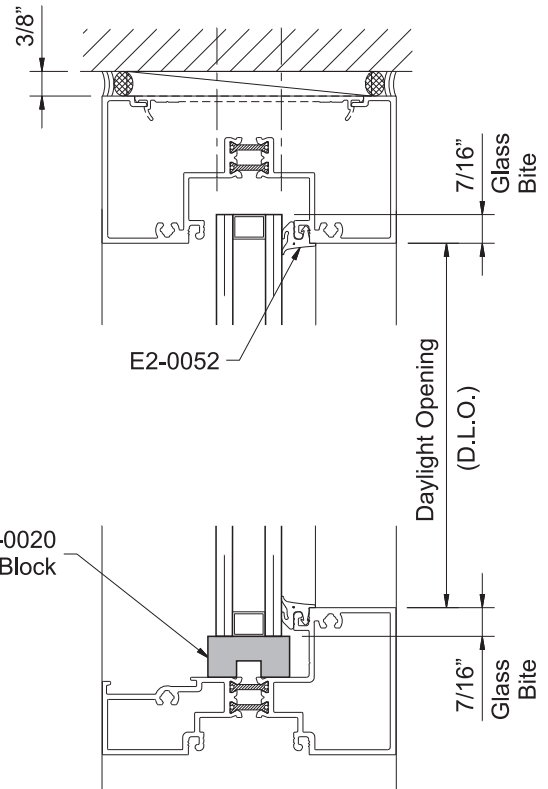
**STEP 18
INSTALL GLASS**

Determine the glass size:

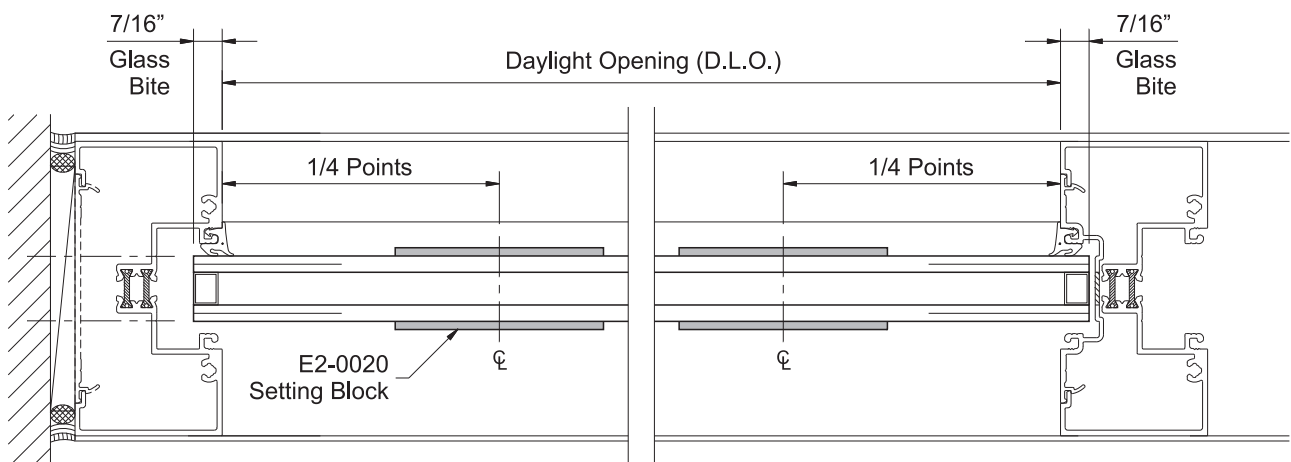
Horizontal Glass Size = D.L.O. plus(+) 7/8"
Vertical Glass Size = D.L.O. plus(+) 7/8"

- Carefully install the glass into the opening: bring the lite up and into the deep pocket first and then rotate the other end in place.
- Carefully lift lite of glass, install setting blocks at quarter points of horizontal D.L.O. or according to engineering calculations.
- Make sure the glass is engaged with all setting blocks.

See **Detail 37**.



Detail 37



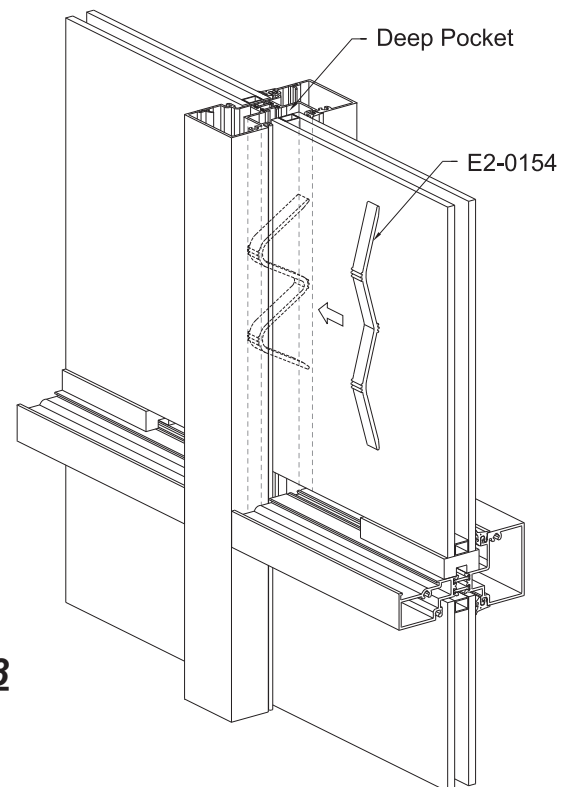
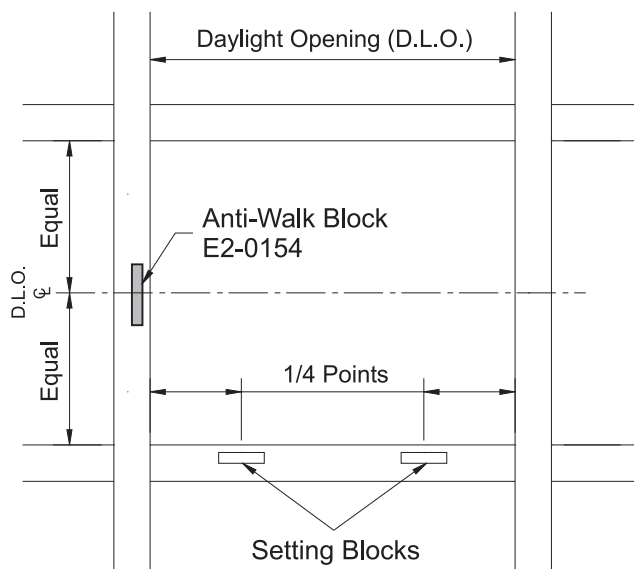
GLAZING

STEP 19 INSTALL ANTI-WALK BLOCKS

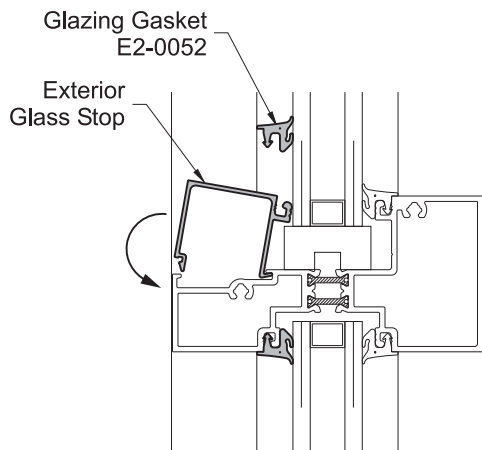
YES 45 FT frames require the installation of an anti-walk block, E2-0154, in the vertical deep glazing pocket of each lite centered along the daylight opening.

-Flatten the anti-walk block against the exterior surface of the glass and push it into the opening between the glass and the mullion until it is released into the glazing pocket.

See **Detail 38**.



Detail 38



Detail 39

STEP 20 INSTALL EXTERIOR GLASS STOPS & GLAZING GASKETS

-Snap the exterior glass stops into place as shown in **Detail 39**.

-Install the exterior glazing gaskets using the same technique described in **Step 17** on **Page 27**. Always install the vertical glazing gasket first.

Repeat **Steps 17 through 19** until all lites are installed.



101 Marietta Street NW
Suite 2100
Atlanta, Georgia 30303
www.ykkap.com