

20D/35D/50D | 20DH/35DH | 40M/50M | 25FD | 35XT | 50XT

TABLE OF CONTENTS

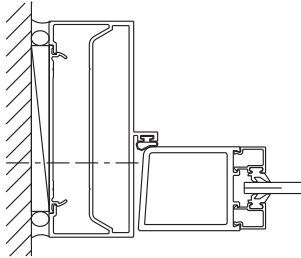
Installation Notes	Page ii
Door Types	Page 1
Cut Down Transom Frame	Page 2
Fabricate Frame For Header	Page 2
Offset Pivot Frame Installation	Page 3
Butt Hinge Frame Installation	Page 4
Center Pivot Frame Installation	Page 5
Calculate Transom Glass Size	Page 6
Calculate Door Glass Size	Page 7
Install Overhead Concealed Closer	Page 8
In Offset Pivot and Butt Hinge Frames	
Install Optional Bottom Offset Pivot	Page 9
Glaze The Door	Page 10
Install Smart Series Push/Pull Hardware	Page 10
Install Offset Pivot Door Into Frame	Page 11
Install Butt Hinge Door Into Frame	Page 11
Install Center Pivot Door Into Frame	Page 12
Adjust Weather Astragal For Pair of Doors	Page 12
Install Door Sweeps	Page 13

Installation Notes

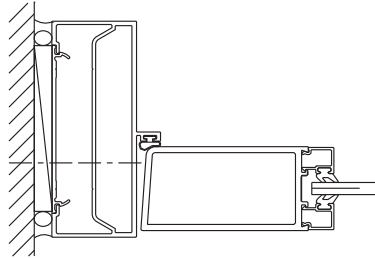
1. Do not drop, roll or drag boxes of aluminum framing. Move and stack boxes with proper support to prevent distortion. If fork lifts are used be especially careful about striking the boxes when lifting or moving.
2. Store in a dry, out of the way area. If rain exposure, condensation or any water contact is likely, then all packaging material should be removed. Wet packaging materials will discolor and may stain aluminum finishes and paints.
3. All materials should be checked for quantity and quality upon receipt, YKK AP must be notified immediately of any discrepancies in shipment. Check to make sure that you have the required shims, sealants, supplies and tools necessary for the installation.
4. Carefully check the openings and surrounding conditions that will receive your material. Remember, if the construction is not per the construction documents, it is your responsibility to notify the general contractor in writing. Any discrepancies must be brought to the general contractor's attention before you proceed with the installation.
5. Gather your shop drawings, materials, packing list and this installation manual. Carefully review parts location, the sequence it goes therein when you glaze it and how you seal it. Installation instructions are of a general nature and may not cover every condition you encounter. The shop drawings and/or installation manuals were prepared specifically for the product.
6. Any material substitutions must be of equal or greater quality.
7. Make certain that material samples have been sent for compatibility testing for all manufacturer's sealants involved. Make certain that sealants have been installed in strict accordance with the manufacturer's recommendations and specifications.
8. Remember to isolate, in an approved manner, all aluminum from uncured masonry or other incompatible materials.
9. System-to-structure fasteners are not supplied by YKK AP. Fasteners called out on shop drawings are to indicate minimum sizes for design loading.
10. **Entrance frames and doors are to be installed plumb, square, level and true.**
11. If any questions arise concerning YKK AP products or their installation, contact YKK AP for clarification before proceeding.
12. YKK AP store front and/or curtain wall framing is typically completed before drywall, flooring and other products that may still be in process. Take the extra time to wrap and protect work that you have proudly produced, because no one else will.
13. Cutting tolerances are plus zero, minus one thirty second unless otherwise noted.
14. Check our website, www.ykkap.com, for the latest installation manual update prior to commencing work.

This manual applies to the door types listed below.

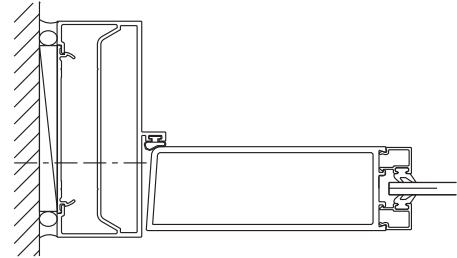
STANDARD DOOR



20D

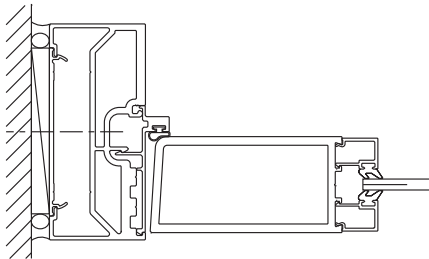


35D

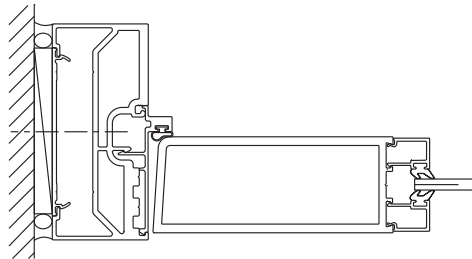


50D

MONUMENTAL DOOR

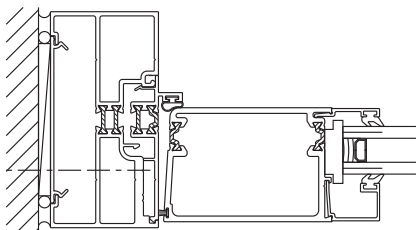


40M

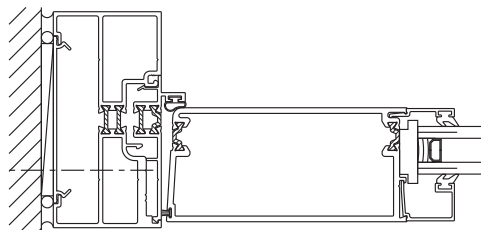


50M

MEGATHERM® XT ENTRANCES

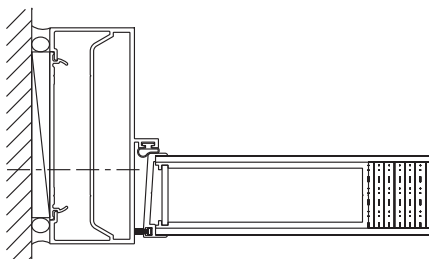


35XT



50XT

FLUSH PANEL DOOR



25FD

STEP 1

CUT DOWN TRANSOM FRAME

(For non-transom frames, proceed directly to Step 3)

Measure the height of each masonry opening that is to receive a door frame. If there are several different frame heights, it will be necessary to label each frame.

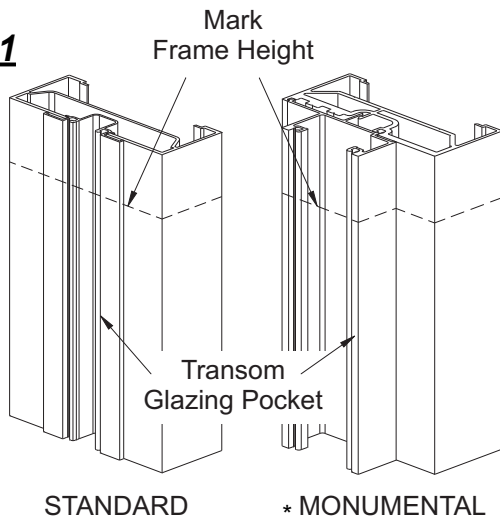
- Deduct 3/8" from the height of the masonry opening to determine the frame size.
- Slide the transom glazing pocket up so that it is flush with the end of the frame.
- Mark the frame height on the frame jambs by measuring up from the bottom of the frame.

See **Detail 1**.

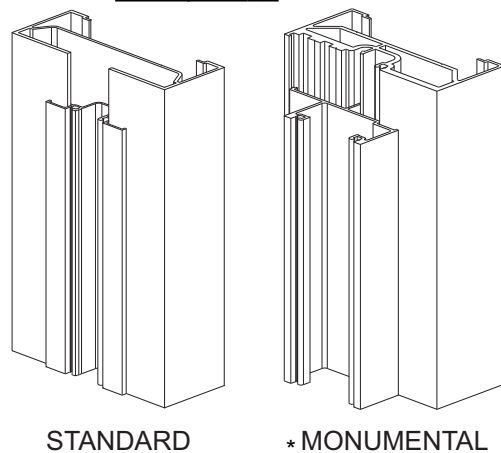
- Cut the frame and the transom glazing pocket.
- Slide the transom glazing pocket back down into position.

See **Detail 2**.

DETAIL 1



DETAIL 2



STEP 2

FABRICATE FRAME FOR HEADER

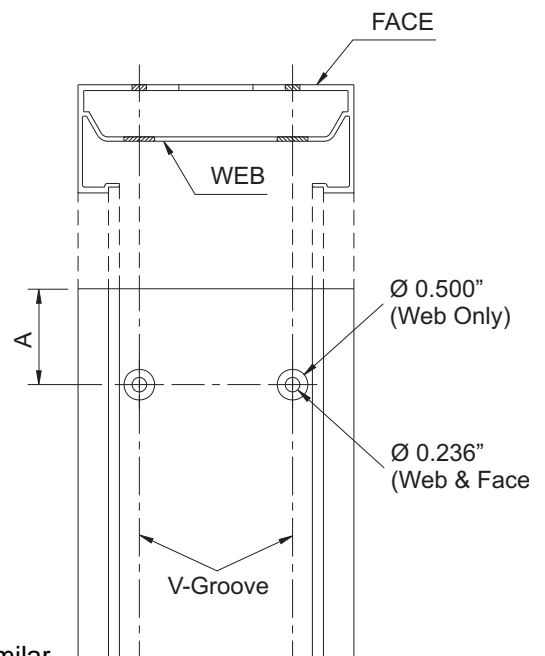
- Measure down from the top of the frame dimension "A", see the table below.
- Mark the spot on each "V-Groove" for the holes required to attach header.
- Drill a 0.236" diameter hole (#B drill bit) through both the web and the front of the jamb, at each location marked.

See **Detail 3**.

- Drill 1/2" diameter access holes in web only, centered on the first holes drilled, to permit the head of the fasteners to pass through the web.

Member	Dimension A	System
1-3/4" Header	1-9/16"	FS
2" Header	1-13/16"	FI/TU
2-1/4" Header	2-1/16"	T

DETAIL 3



*MegaTherm XT similar

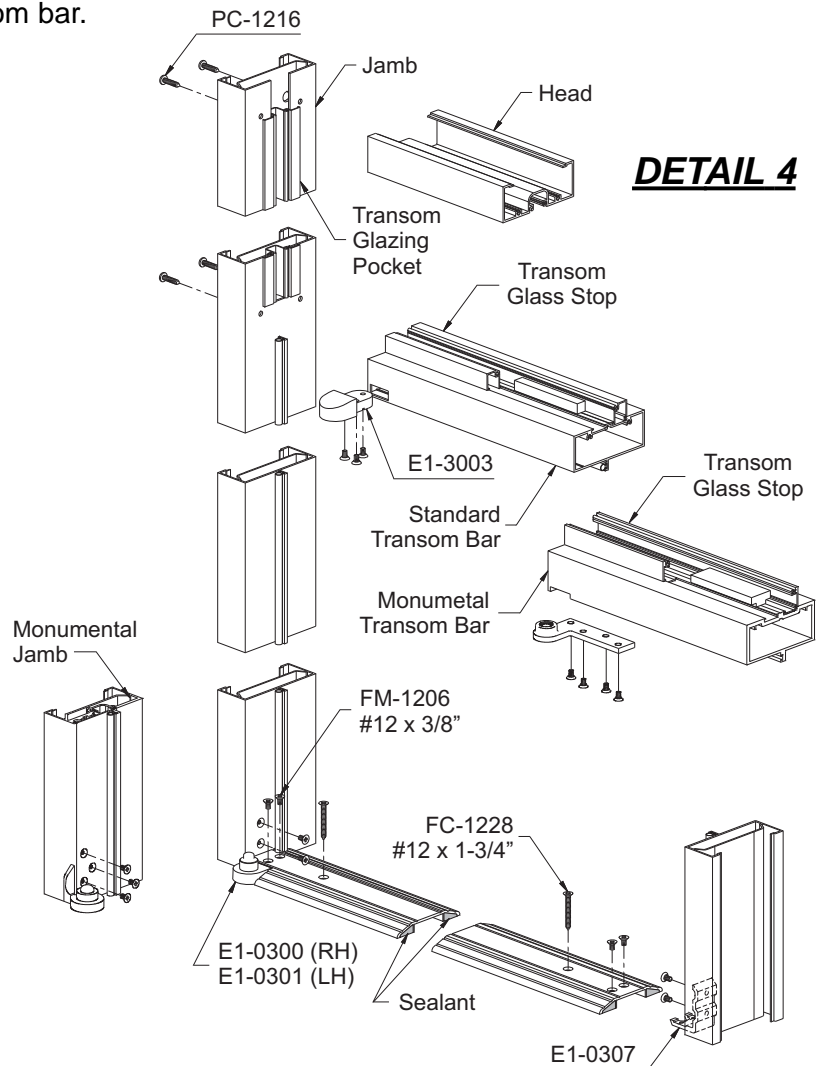
STEP 3 OFFSET PIVOT FRAME INSTALLATION

- Remove from the door carton, through the cut-out provided, the offset pivot frame portion packages.
 - Top Pivot Package: Accessories: (1) top pivot frame portion E1-0303.
Screws: (3) FM-1206 finish to match frame.
 - Bottom Pivot Package: Accessories: (1) bottom pivot frame portion: E1-0300(RH), E1-0301(LH).
(1) Plastic anchor plug.
Screws: (2) FM-1206 finish to match frame.
(2) FM-1206 mill finish.
- Remove from the frame carton the frame accessory package:
 - Singles and pairs: Accessories: (3) plastic anchor plugs, (2) setting blocks for transom lite: E2-0019 for 1/4" glass or E2-0020 for 1" glass.
Screws: (3) FC-1228, (4 or 8) PC-1216 (8 for transom).
 - Single door frames only: Accessories: (1) threshold clip E1-0307.
Screws: (2) FM-1206 to match frame, (2) FM-1206 mill finish.

- Attach bottom pivot and threshold clips to frame.
 - Attach top pivot frame portion to the transom bar.
 - Assemble frame as shown.
- See **Detail 4**.

- Install the frame into the opening:
- Anchor bottom pivot to the opening.
 - Shim if required.
 - Attach the threshold to the frame set in bed of sealant.
 - Shim and anchor frame so that it is plumb, square, level, and true.
 - Caulk the perimeter of the frame with a quality sealant.

- Glaze the transom lite:
(See **Page 5** to calculate Transom Glass Sizes)
- Snap into place the interior transom glass stop.
 - Install interior glazing gasket in the transom.
 - Install setting blocks at quarter points.
 - Carefully install the transom lite.
 - Snap into place the exterior transom glass stop.
 - Install exterior gasket.



STEP 3 BUTT HINGE FRAME INSTALLATION

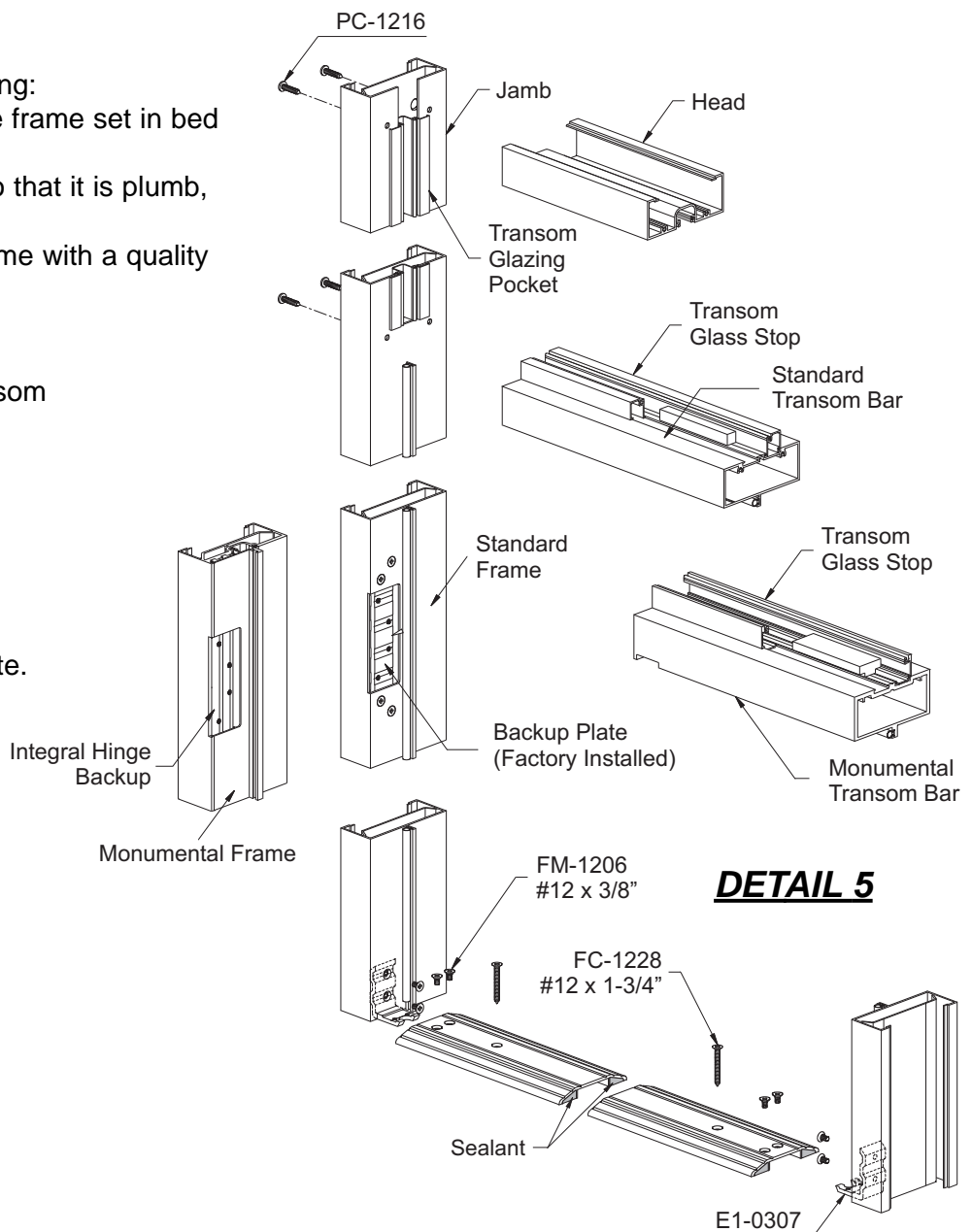
- Remove from the door carton, through the cut-out provided, the accessory package.
 - Accessories: (2) threshold clips E1-0307, (3) plastic anchor plugs, (2) setting blocks for transom lites: E2-0019 for 1/4" glass or E2-0020 for 1" glass.
 - Fasteners: (3) FC-1228 FHSMS, (8) FM-1206 (4 to match frame & 4 mill finish, and (4) or (8) PC-1216 fasteners (8 for transom frames).

- Attach the threshold clips to the frame.
 - Assemble frame as shown.
- See **Detail 5**.

- Install the frame into the opening:
- Attach the threshold to the frame set in bed of sealant.
 - Shim and anchor frame so that it is plumb, square, level, and true.
- Caulk the perimeter of the frame with a quality sealant.

Glaze the transom lite:
(See **Page 5** to calculate Transom Glass Sizes)

- Snap into place the interior transom glass stop.
- Install interior glazing gasket in the transom.
- Install setting blocks at quarter points.
- Carefully install the transom lite.
- Snap into place the exterior transom glass stop.
- Install exterior gasket.



STEP 3 CENTER PIVOT FRAME INSTALLATION

-Remove from the frame carton the accessory package:

Accessories: (2) Threshold clips, (3) plastic anchor plugs, (1) transom bar/closer shear block (2 for pair of doors), (1) transom bar shear block: E1-0317 for 4 1/2" frames or E1-0326 for 4" frames for single doors, (1) closer anchor clip, (1) bottom pivot assembly, (2) setting blocks for transom lites: E2-0019 for 1/4" glass or E2-0020 for 1" glass.

Fasteners (8) FM-1206 and (3) FC-1228 to attach threshold clips and threshold,
For Frame: (4) PC-1216 to attach headers (transom frames only), (2) PC-1228 to attach the E1-0326 or E1-0317 and (2) FC-1008 to attach the T-Bar (single door frames only).

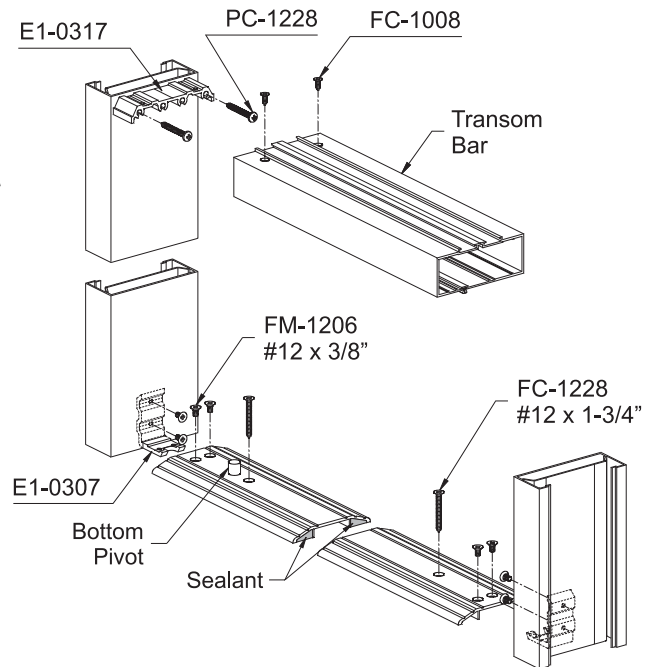
Fasteners (2) 1/4-20 x 1/2" HHMS bolts with lock washers, (3) 1/4-20 x 1/2" PHMS bolts,
For Closer: (2) 1/4-20 x 1-1/4" FHMS, and (6) FM-1006.

Note: Last five items doubled for frames for pairs of doors.

- Assemble the threshold clips to the frame.
- Assemble the bottom pivot(s) to the threshold.
- Assemble frame as shown.

See **Detail 6**.

DETAIL 6



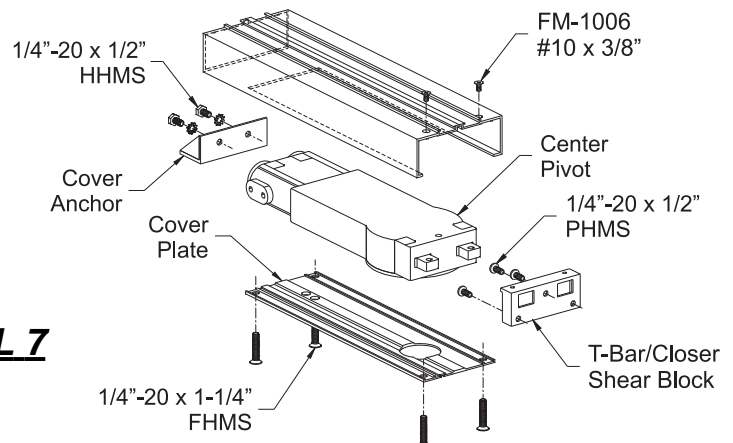
Install the frame into the opening:

- Attach the threshold to the frame set in bed of sealant.
- Shim and anchor frame so that it is plumb, square, level, and true.
- Caulk the perimeter of the frame with a quality sealant.
- Install the overhead door closer(s).
- See **Detail 7** and the instructions in the closer box.
- Attach cover plate(s).

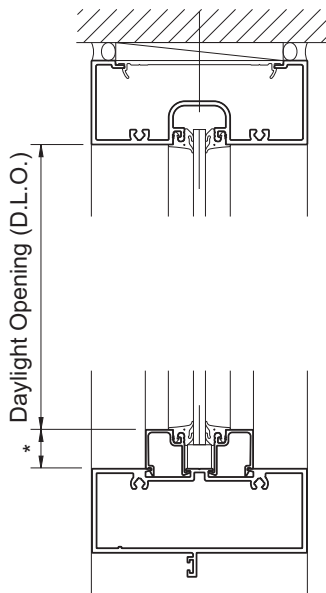
Glaze the transom lite:

- (See **Page 5** to calculate Transom Glass Sizes)
- Snap into place the interior transom glass stop.
- Install interior glazing gasket in the transom.
- Install setting blocks at quarter points.
- Carefully install the transom lite.
- Snap into place the exterior transom glass stop.
- Install exterior gasket.

DETAIL 7

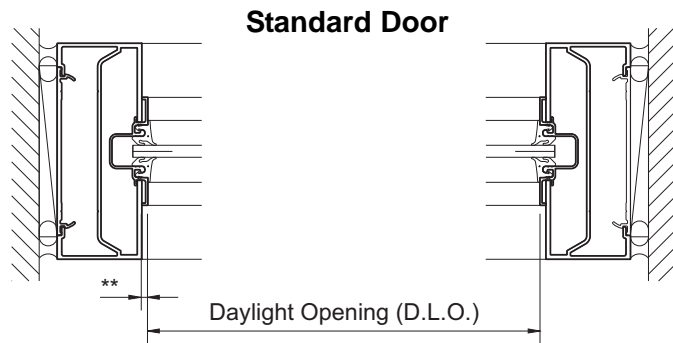


Calculate Transom Glass Sizes:



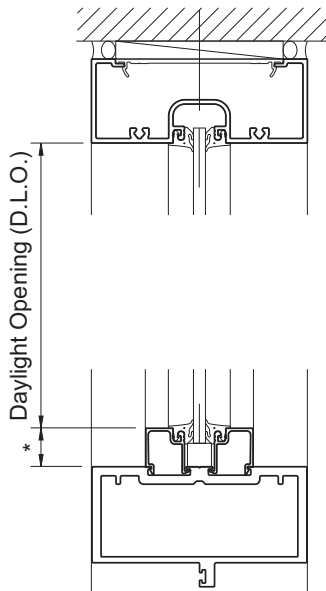
DETAIL 8
1/4" Glazing Shown
1" Glazing Similar

- * Single Glazing (Offset Pivot) = 13/16"
- Single Glazing (OHCC) = 15/16"
- Insulating Glazing = 1"



Standard Door

- ** 1/4" Glazing Pocket = 1/8"
- 1" Glazing Pocket = 1/2"



Monumental Door

Daylight Opening (D.L.O.)

Transom Glass Size Formula

TYPE	YES 40 FS/FI	YES 45 FS/FI
Width for Single Glass	D.L.O. +(plus) 5/8"	D.L.O. +(plus) 5/8"
Height for Single Glass	D.L.O. +(plus) 5/8"	D.L.O. +(plus) 5/8"
Width for Insulating Glass	D.L.O. +(plus) 7/8"	D.L.O. +(plus) 7/8"
Height for Insulating Glass	D.L.O. +(plus) 7/8"	D.L.O. +(plus) 7/8"

Note: Listed transom glass sizes are for YES 40 and YES 45 frames only; for other frames refer to shop drawings or contact YKK AP.

Calculate Door Glass Sizes:

Model 20D/35D/50D Door

Threshold (1/2") Allowance Included

Door Opening Size	20D Narrow Stile	35D Medium Stile	50D Wide Stile
Height 4" Bottom Rail	D.O. -(minus) 7-1/2"	—	—
Height 8" Bottom Rail	D.O. -(minus) 11-1/2"	D.O. -(minus) 13-1/8"	D.O. -(minus) 14-3/16"
Height 10" Bottom Rail	D.O. -(minus) 13-9/16"	D.O. -(minus) 15-3/16"	D.O. -(minus) 16-1/4"
Width Single - Butt Hinge	D.O. -(minus) 4-7/8"	D.O. -(minus) 7-5/8"	D.O. -(minus) 10-5/8"
Width Single - Cont. Hinge	D.O. -(minus) 5-1/8"	D.O. -(minus) 7-7/8"	D.O. -(minus) 10-7/8"
Width Pair - Butt Hinge	D.O. ÷ 2 -(minus) 4-7/8"	D.O. ÷ 2 -(minus) 7-5/8"	D.O. ÷ 2 -(minus) 10-5/8"
Width Pair - Cont. Hinge	D.O. ÷ 2 -(minus) 5-1/8"	D.O. ÷ 2 -(minus) 7-7/8"	D.O. ÷ 2 -(minus) 10-7/8"

MegaTherm® XT – Model 35XT/50XT Door

Threshold (1/2") Allowance Included

Door Opening Size	35XT Medium Stile	50XT Wide Stile
Height 8" Bottom Rail	D.O. -(minus) 13-1/8"	D.O. -(minus) 14-3/16"
Height 10" Bottom Rail	D.O. -(minus) 15-3/16"	D.O. -(minus) 16-1/4"
Width - Single	D.O. -(minus) 7-5/8"	D.O. -(minus) 10-5/8"
Width - Pair	D.O. ÷ 2 -(minus) 7-5/8"	D.O. ÷ 2 -(minus) 10-5/8"

NOTE: MegaTherm XT uses stile BE9-0704 for continuous hinges. Glass sizes formulas remain the same as for butt hinges.

Model 40M/50M Monumental Door

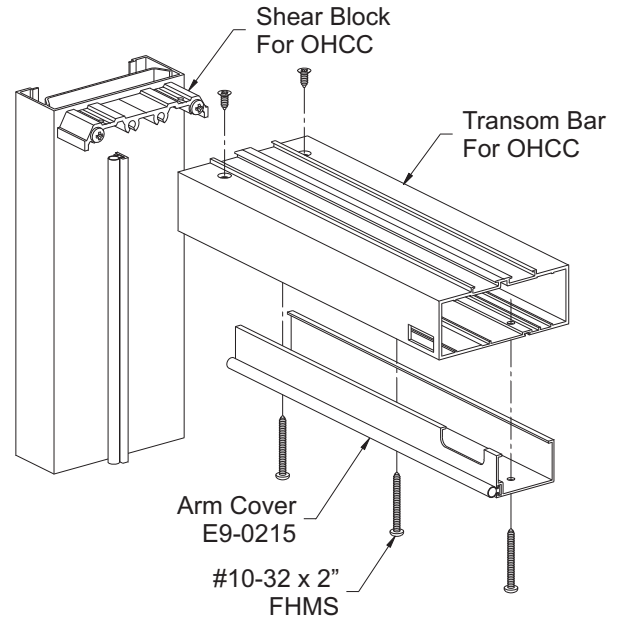
Threshold (1/2") Allowance Included

Door Opening Size	40M 4" Stile	50M 5" Stile
Height Standard Bottom Rail	D.O. -(minus) 12-11/16"	D.O. -(minus) 13-11/16"
Height 10" Bottom Rail	D.O. -(minus) 15-3/16"	D.O. -(minus) 16-3/16"
Width Single - Butt Hinge	D.O. -(minus) 8-5/8"	D.O. -(minus) 10-5/8"
Width Single - Cont. Hinge	D.O. -(minus) 8-7/8"	D.O. -(minus) 10-7/8"
Width Pair - Butt Hinge	D.O. ÷ 2 -(minus) 8-5/8"	D.O. ÷ 2 -(minus) 10-5/8"
Width Pair - Cont. Hinge	D.O. ÷ 2 -(minus) 8-7/8"	D.O. ÷ 2 -(minus) 10-7/8"

**STEP 4 (OPTIONAL)
INSTALL OVERHEAD CONCEALED CLOSER
IN OFFSET PIVOT & BUTT HINGE FRAMES**

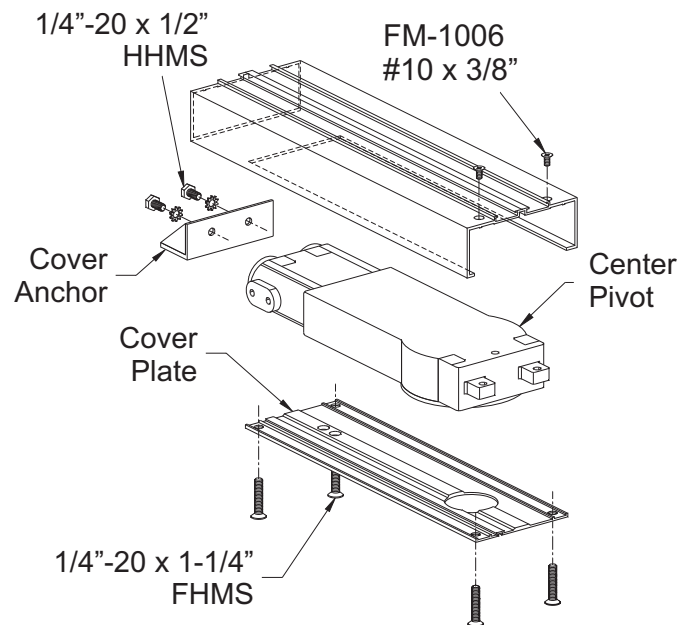
- Assemble the frame by first attaching the transom bar/closer shear block to the pivot jamb of the frame.
- Complete the assembly and installation of the frame following the standard installation instructions.
- Install the overhead concealed closer into the frame.
- Attach the cover plate and the offset arm.
- The top door rail has been routed out to clear the offset arm of the closer.
- Locate the arm cover package that is in the frame box and attach it to the bottom of the transom bar with #10-32 x 2" fasteners provided (three for singles and four for pairs).

See **Details 9 & 10**.



DETAIL 9

Standard transom bar shown,
Monumental and MegaTherm XT similar.



DETAIL 10

STEP 6 (OPTIONAL) INSTALL BOTTOM OFFSET PIVOT, E1-0341

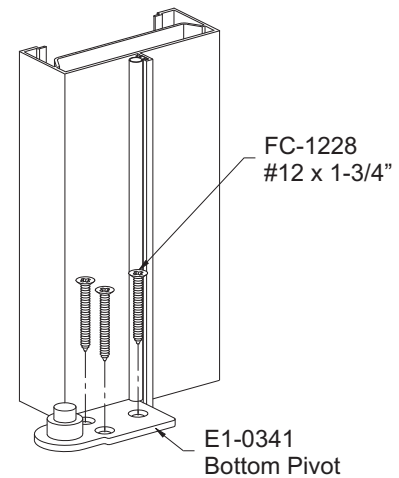
Offset pivot door frames that do not have a threshold will require bottom offset pivot, E1-0341, which may also be used as a replacement bottom pivot.

- Locate the bottom pivot package taped to the door.
- Anchor the pivot to the substrate using (3) FC-1228 fasteners and plastic plugs.
- Shim as required.

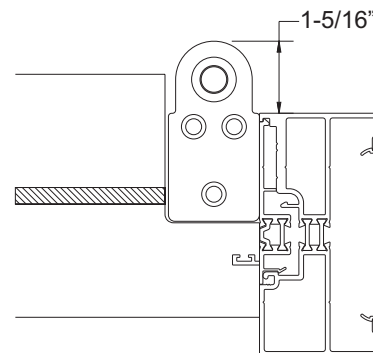
See **Detail 11**.

Use of pivot shim E1-0387 is required for MegaTherm XT entrances, Models 35XT and 50XT.

- Align pivot jamb edge and 1-5/16" from jamb face.
 - Mark the location of the three (3) attachment fasteners and drill.
 - Place shim beneath pivot E1-0341 and attach pivot to substrate, using using (3) FC-1228 fasteners and plastic plugs.
- See **Detail 12**.



DETAIL 11



DETAIL 12

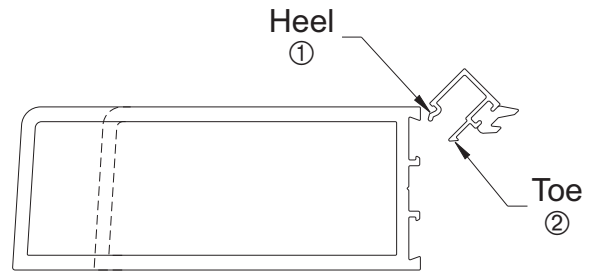
STEP 7 GLAZE THE DOOR

Install interior glass stops.

- Trim glazing gasket leaving 1/8" excess at each end.
- Install the vertical glass stop first by engaging the heel ① first then snapping in the toe ②.

See **Detail 12**.

- Center the horizontal glass stops and install.
- Carefully install the door lite onto the factory installed corner blocks.
- Install the exterior glass stops repeating the instructions listed above.



20D shown, others similar.

DETAIL 12

STEP 8 INSTALL SMART SERIES PUSH/PULL HARDWARE

Attach pull handle:

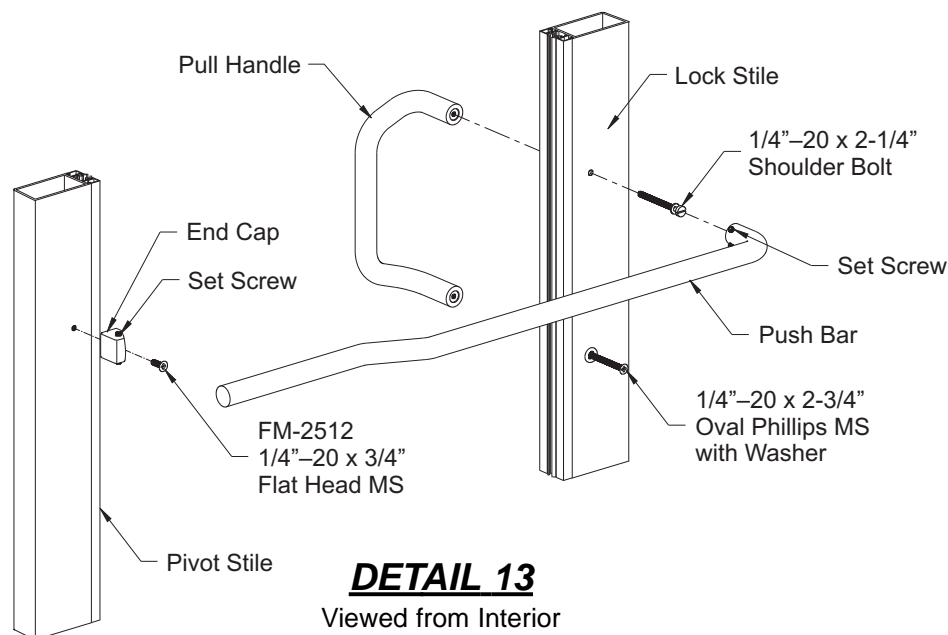
- Remove from the door carton the push/pull hardware and accessory package.
- Fasten the pull handle to the lock stile with the 2-1/2" shoulder bolt at the top and with the 2-3/4" oval head machine screw at the bottom. Make sure the washer is properly seated under the screw head.

Attach push bar:

- Attach the end cap to the pivot stile with the FM-2512 3/4" machine screw.
- Insert the straight end of the push bar into the end cap and swing the curved end onto the shoulder bolt head. Tighten the set screws at each end of the push bar using a 1/8" Allen wrench.

See **Detail 13**.

Note: For center pivot doors, push bars are installed on both sides of the doors; attach shoulder bolts on both stiles and follow the instructions above to attach push bars. Repeat steps for the other side.



DETAIL 13

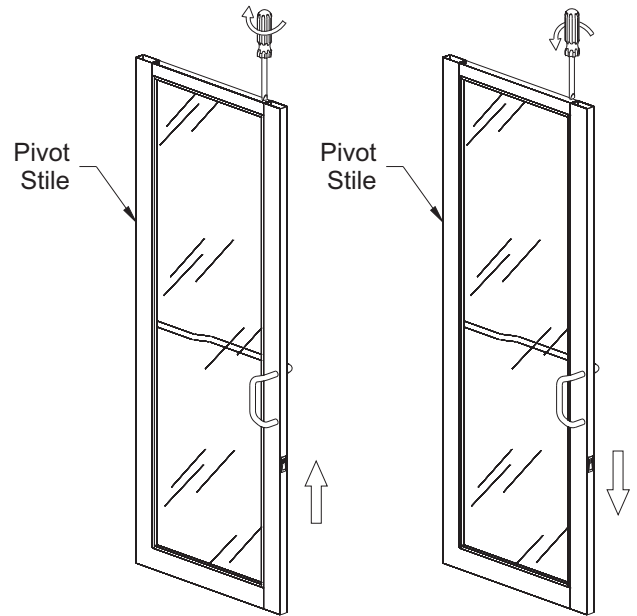
Viewed from Interior

STEP 9 INSTALL OFFSET PIVOT DOOR INTO FRAME

- Set the door down onto the bottom pivot of the frame.
- Compress the retractable pivot pin in the top pivot and set the door up into position so the pivot pin engages the frame pivot.
- Check the alignment of the door.
- Align the stile opposite the pivot stile by turning the screw located in the top rail:
 - Clockwise to raise the corner.
 - Counter-clockwise to lower the corner.

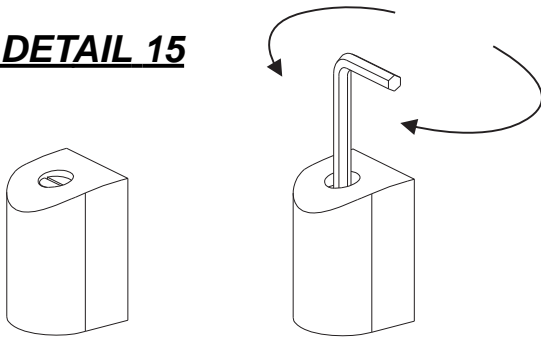
See **Detail 14**.

- Align the pivot stile by adjusting the screw in the bottom pivot.
 - Unscrew the cap on top of the pivot and adjust the screw inside the pivot with a 3/16" Allen wrench:
 - Clockwise to raise the corner.
 - Counter-clockwise to lower the corner.
 - Replace the cap on top of the pivot.
- See **Detail 15**.



DETAIL 14

DETAIL 15



Clockwise = Raise
Counter Clockwise = Lower

STEP 9 INSTALL BUTT HINGE DOOR INTO FRAME

- Remove from the door carton the package of eight fasteners that will attach the butt hinges to the backup plates in the frame.
- Carefully align the holes in the butt hinge with the holes in the back up plates and fasten the door to the frame. Completely support the door during this step.
- Check the alignment of the door with the frame.
- Adjust the alignment of the door by turning the screw located in the top rail:
 - Clockwise to raise the corner.
 - Counter-clockwise to lower the corner.

See **Detail 14**.

**STEP 9
INSTALL CENTER PIVOT DOOR INTO FRAME**

- Remove from the package taped to the door the end cap and bolts for the top arm assembly.
- Remove from the pivot stile the two endcaps.
- Check the alignment of the top arm:

The arm must be centered in the top rail.

See **Detail 16**.

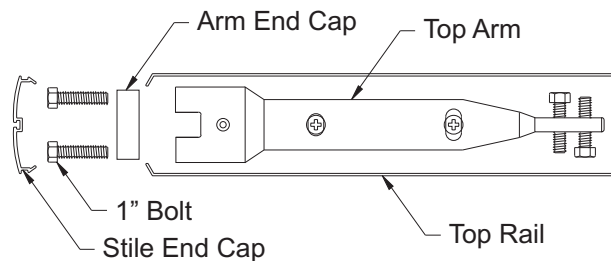
- For non-hold open closers; slow the closer speed.
- Carefully rotate the pivot of the closer 90° to the exterior of the frame to install the door.
- Set the door down onto the bottom pivot and slide the top arm around the top pivot of the closer.
- Install the end of the top arm and the end caps of the door.
- Check the bottom corner of the door with the frame.
- Adjust the bottom corner of the door by turning the screw located in the top rail of the door:

Clockwise to raise the corner.

Counter-clockwise to lower the corner.

See **Detail 14**.

- Adjust the closing and latch speed of the closer.



DETAIL 16

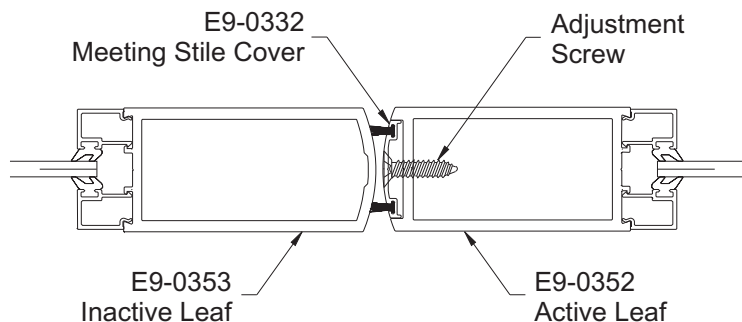
**STEP 10
ADJUST WEATHER ASTRAGAL
FOR PAIR OF DOORS**

- Adjust the weather astragal by turning the adjustment screws located along the meeting stile cover of the active leaf:

Clockwise to increase the distance between leaves.

Counter clockwise to reduce the clearance between leaves.

See **Detail 17**.



40M shown, others similar.

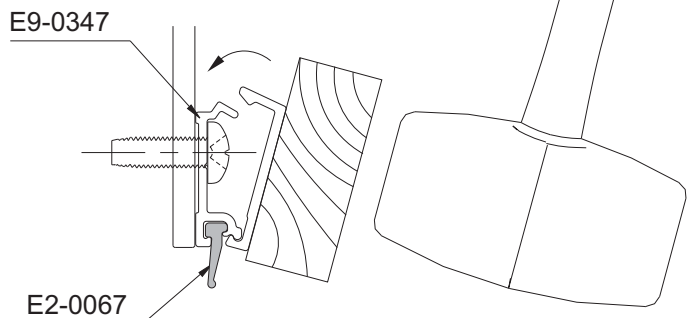
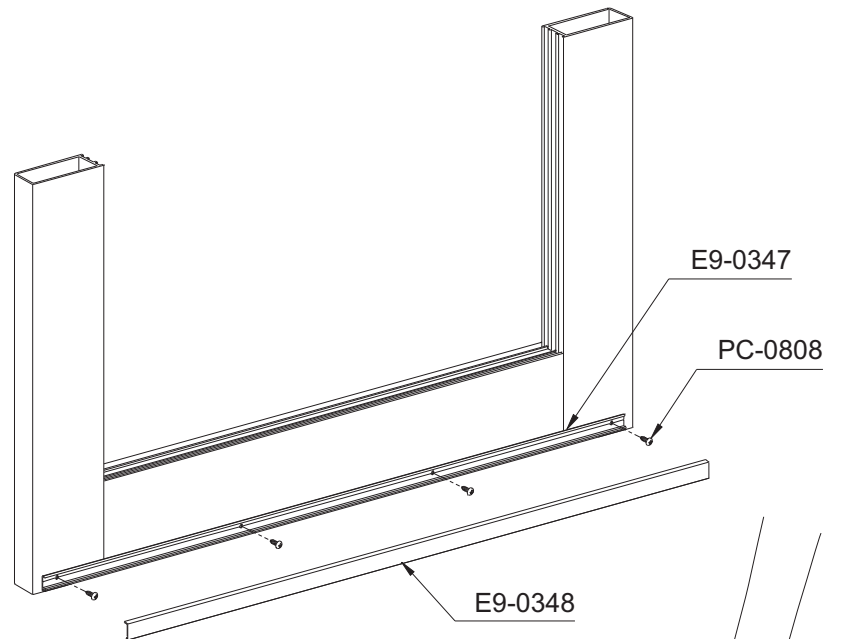
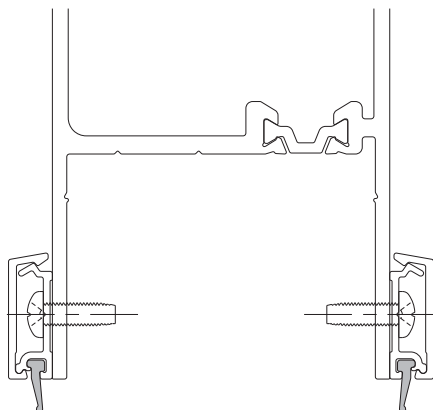
DETAIL 17

STEP 11 (OPTIONAL) INSTALL DOOR SWEEP

- Door sweeps help the weathering performance of the door and are designed to be attached to the interior face of the bottom rail.
 - Transfer the location of each slot in the door sweep base, E9-0347, to the interior surface of the bottom rail:
 - Center the door sweep base on the bottom rail of the door.
 - Align the bottom edge of the door sweep base with the bottom edge of the bottom rail.
 - Mark the center of each slot on the bottom rail.
 - Drill a 0.141" diameter hole (#28 drill bit) at each location marked.
 - Attach the door sweep base to the bottom rail with four PC-0808 fasteners; do not completely tighten the fasteners. Check the contact of the door sweep gasket, E2-0067, with the threshold. The door sweep gasket must make full contact with the threshold to obtain the full benefit of the door sweep.
 - Tighten all of the door sweep fasteners.
 - Use a wood block and mallet to snap the door sweep cover, E9-0348, onto the base.
- See **Detail 18**.

DETAIL 18
Viewed from Interior

Dual sweeps required for Models 35XT and 50XT.



 **YKK AP America Inc.**

7680 The Bluffs
Suite 100
Austell, Georgia 30168
www.ykkap.com