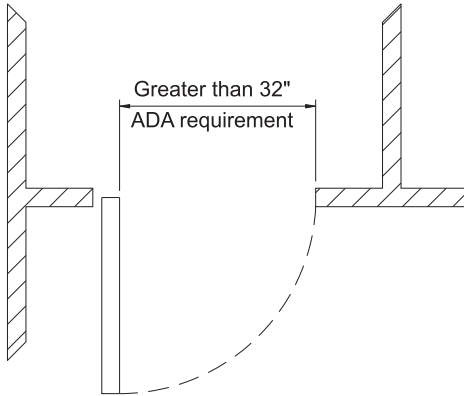
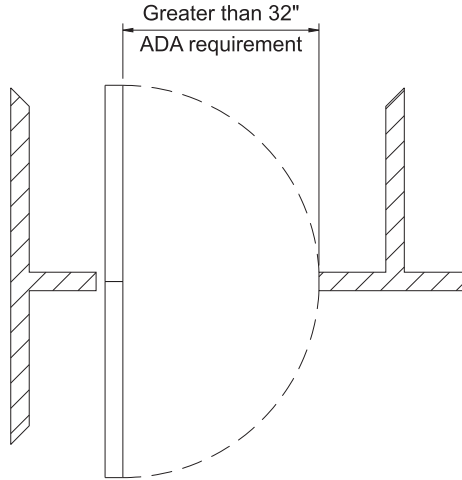


DOOR OPENING CLEARANCE

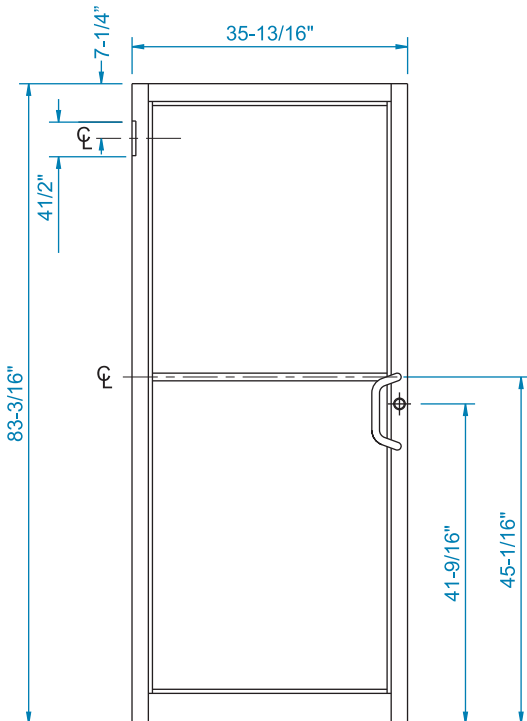
Single Acting Door



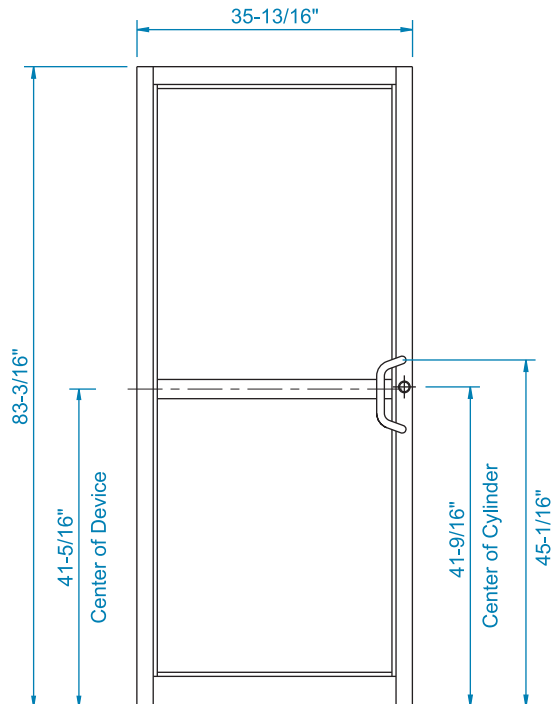
Double Acting Door



STANDARD ENTRANCE HARDWARE LOCATION



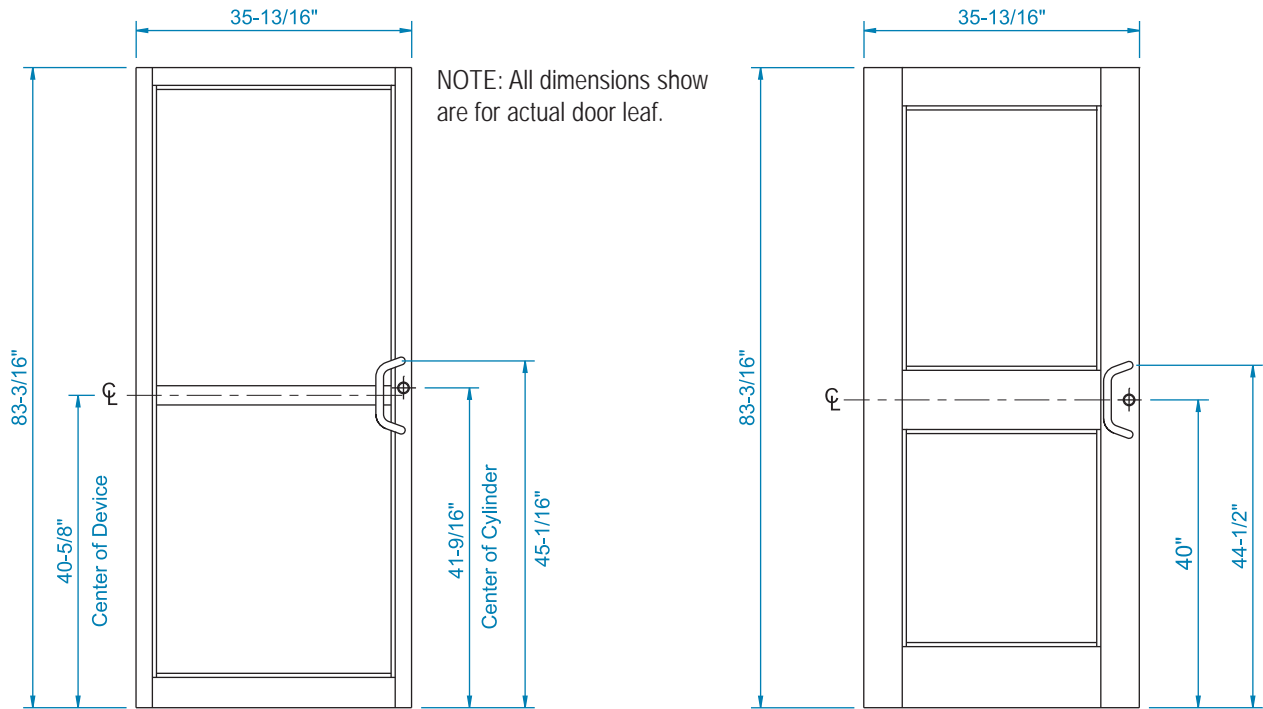
Standard Hardware
MS Hookbolt Lock with Thumbturn
Smart Series Push/Pull
Pair of Standard Butt Hinges
1-1/2 pair for doors over 90"



Standard Exit Devices
YKK AP Standard Rim Panic
With YKK AP Smart Series Pull

NOTE: All dimensions show are for actual door leaf.

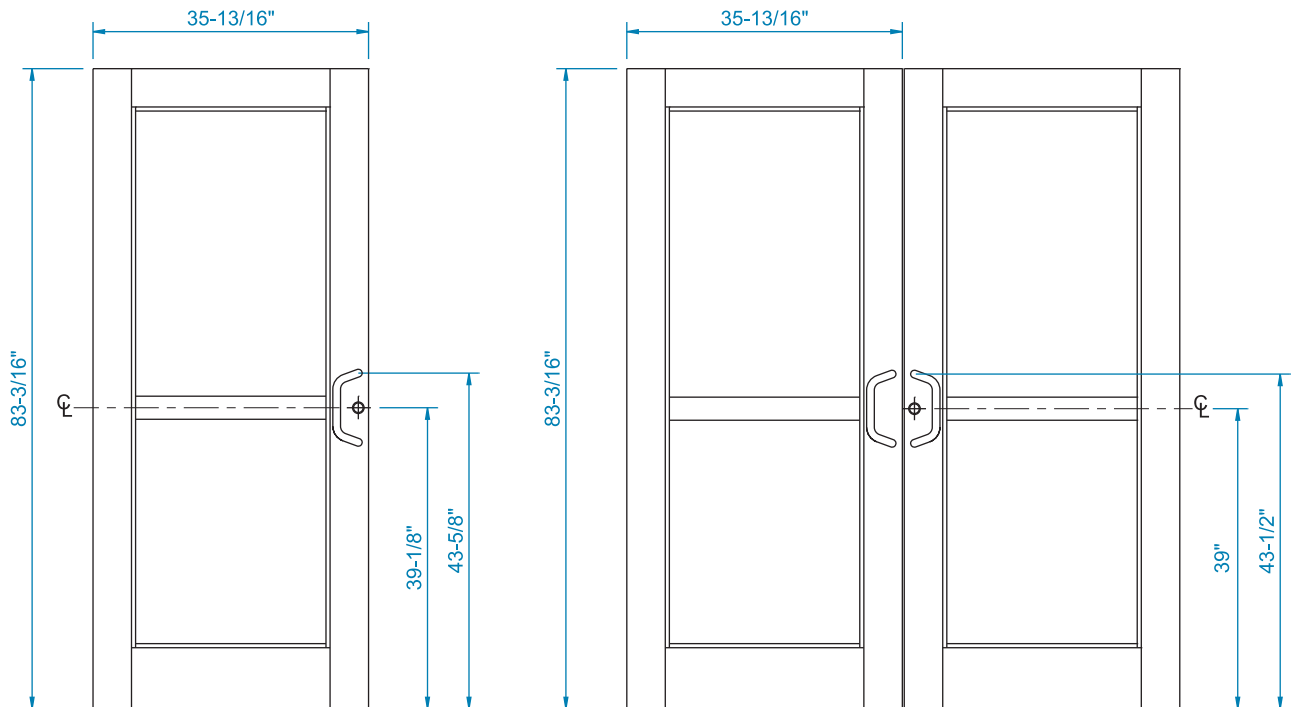
STANDARD ENTRANCE HARDWARE LOCATION



Standard Exit Devices
YKK AP Standard CVR Panic
With YKK AP Smart Series Pull

Mid-rail Exit
YKK AP Standard Rim Panic
With Smart Series Pull

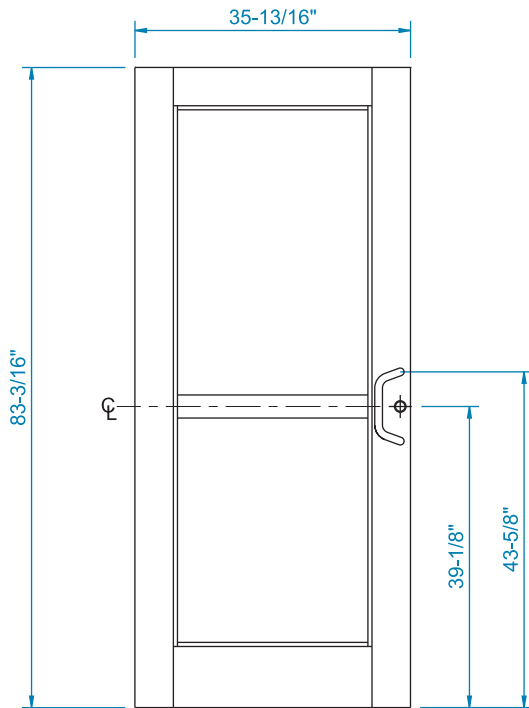
OPTIONAL ENTRANCE HARDWARE LOCATION



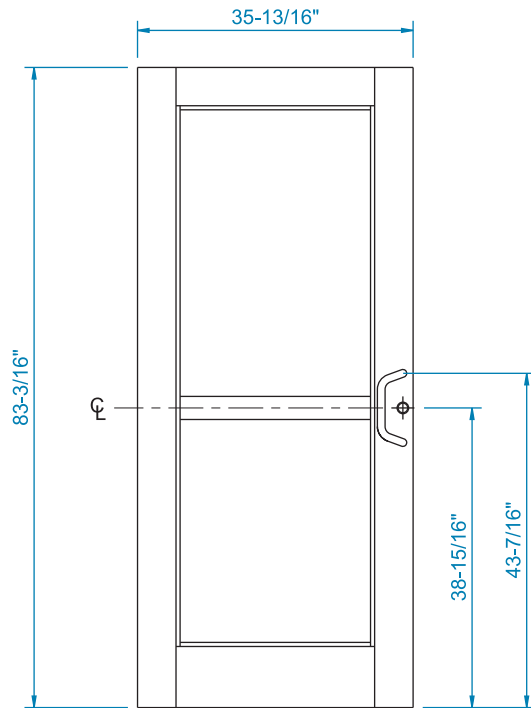
Optional Exit Devices-Single Door
Von Duprin® 33 Series Rim
Von Duprin® 99 Series Rim (50D&50M only)
With Smart Series Pull

Optional Exit Devices-Pair Doors
Von Duprin® 33 Series Rim
Von Duprin® 99 Series Rim (50D&50M only)
With Smart Series Pull

OPTIONAL ENTRANCE HARDWARE LOCATION

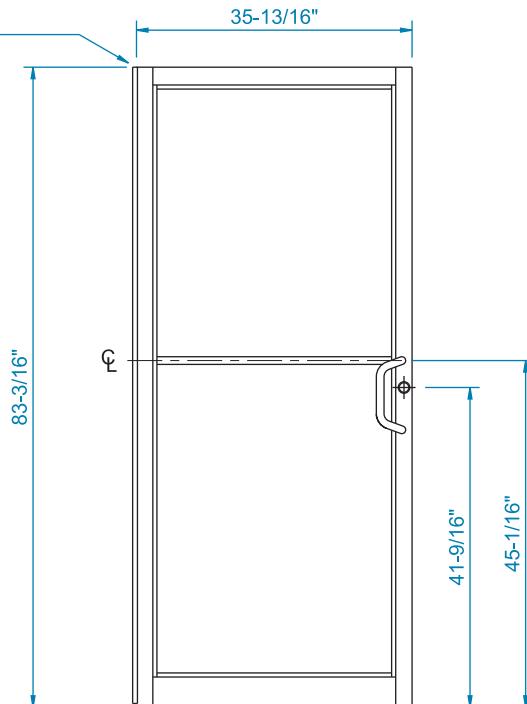


Optional Exit Devices
 Von Duprin® 3347 Series CVR
 With Smart Series Pull



Optional Exit Devices
 Von Duprin® 9947 Series CVR
 (50D & 50M only)
 With Smart Series Pull

NOTE: Continuous hinges are mounted flush with top of door



Continuous Hinge
 MS Hookbolt Lock with Thumbturn
 YKK AP Smart Series Push/Pull
 Select® SL27HD (35H Door)
 Roton® 780-226HD (35H/35HI,40M/50M Doors)
 Roton® 780-224HD (20D/35D/50D Doors)
 Roton® 780-111HD (35XT/50XT Doors)

NOTE: All dimensions show are for actual door leaf.