

TABLE OF CONTENTS

LUMINANCE® LIGHT SHELF SYSTEM

ASSEMBLY VIEWS Pages 2 to 3

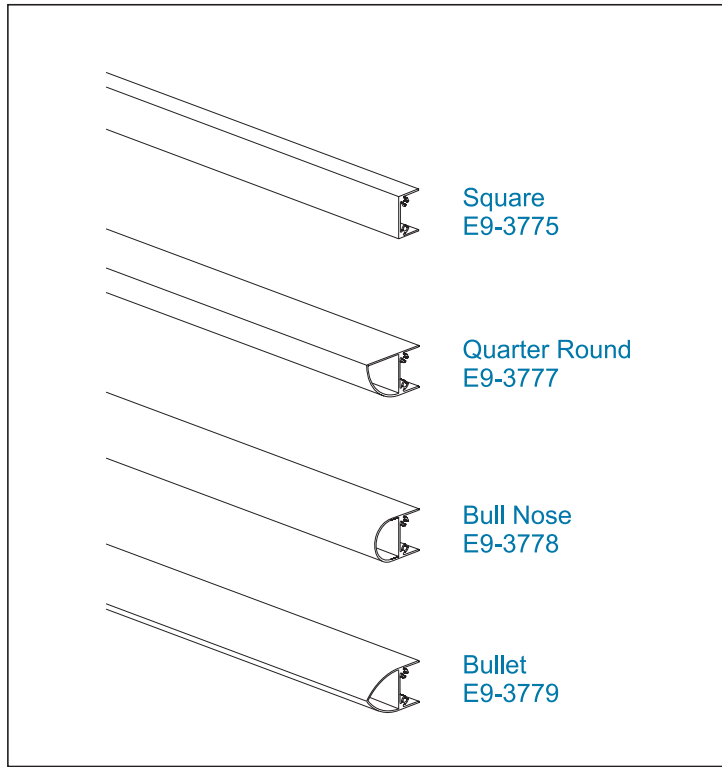
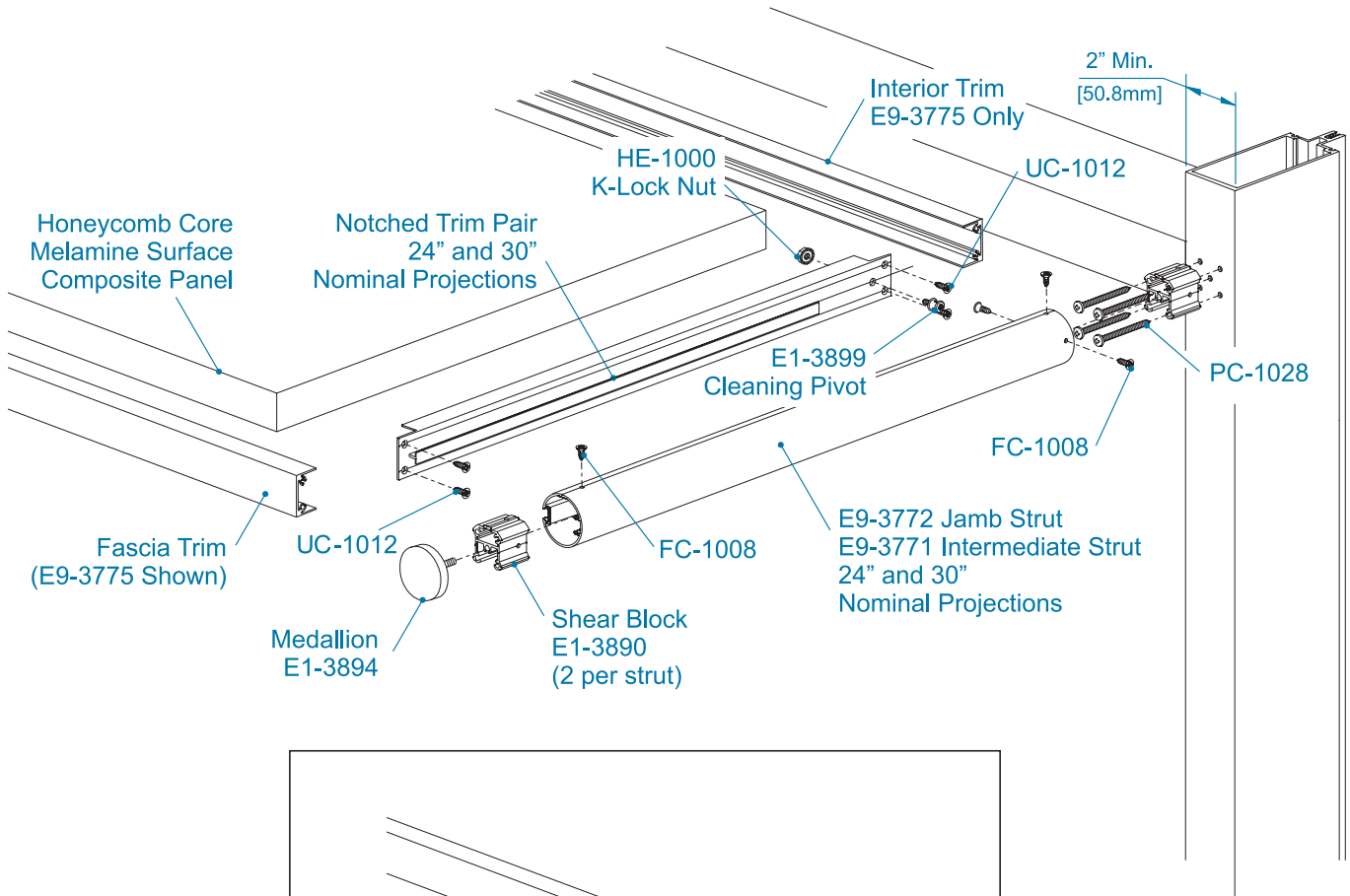
FASCIA TRIM OPTIONS Pages 2 to 3

SYSTEM DETAILS (1/2 SIZE) Pages 4 to 7

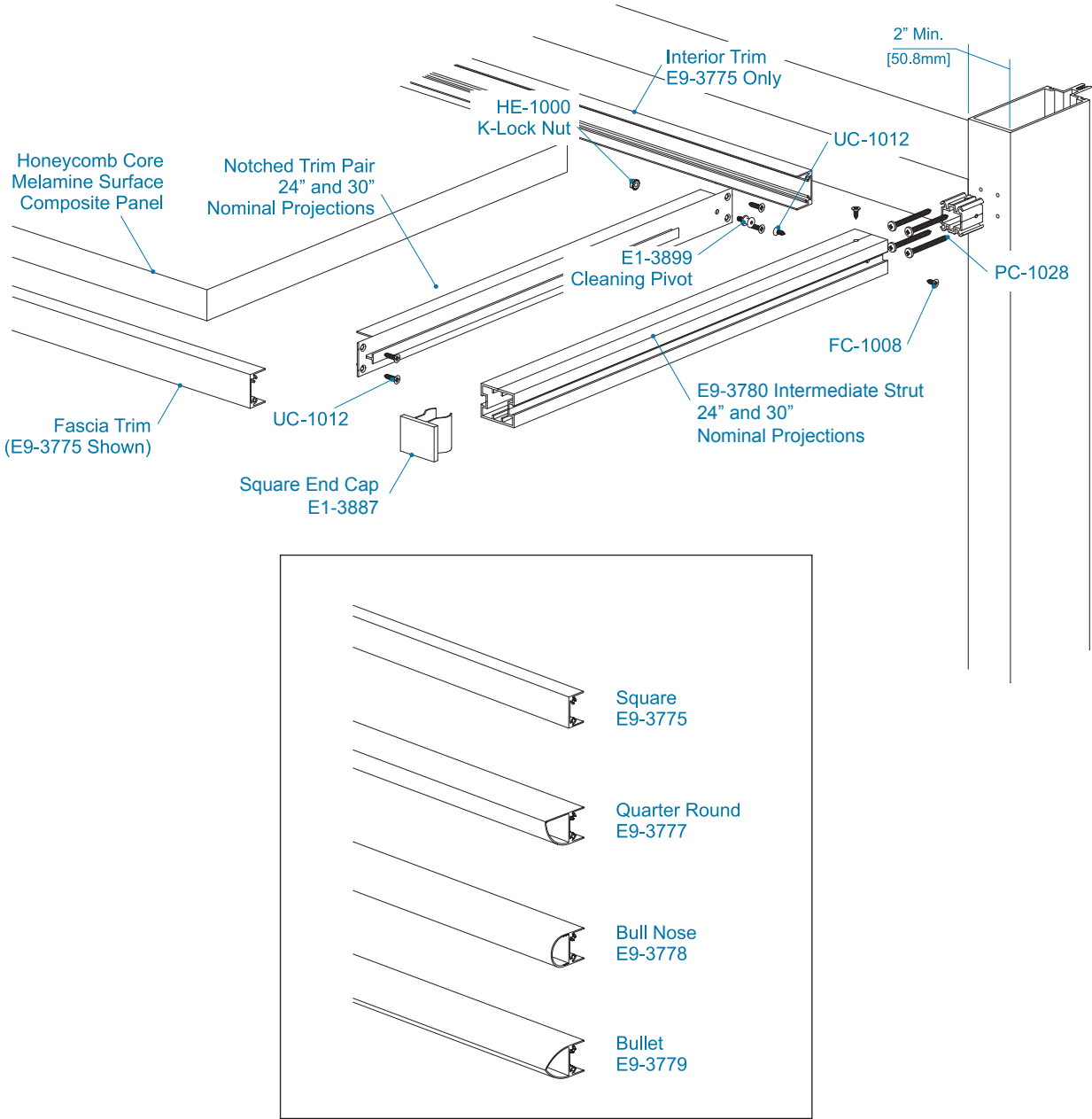
NOTCHED TRIM PAIR OPTIONS (1/2 SIZE)..... Page 8

*The latest installation instructions for this product are available at www.ykkap.com.

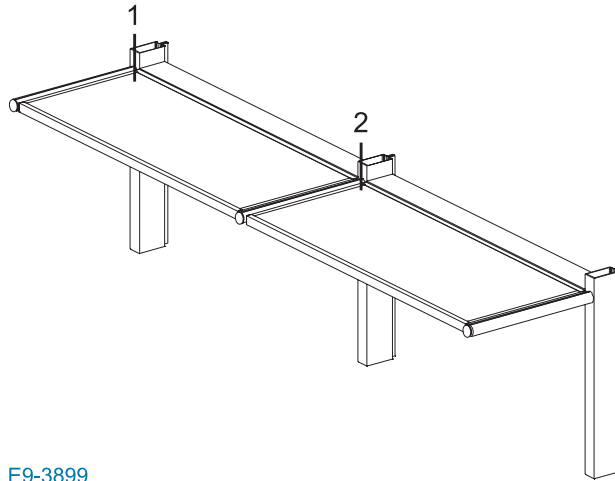
ROUND STRUT ASSEMBLY



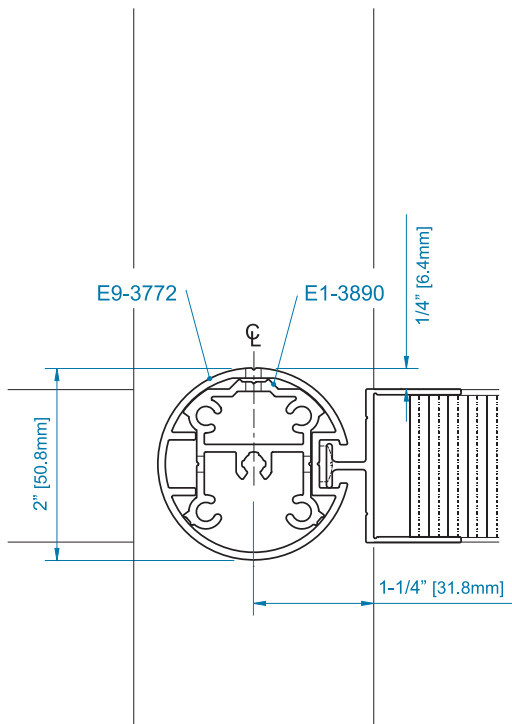
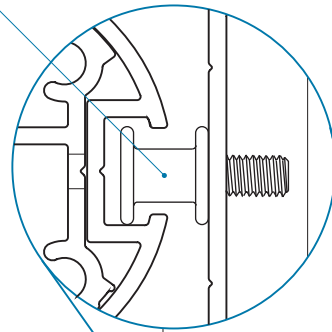
SQUARE STRUT ASSEMBLY



ROUND STRUT PLAN VIEW

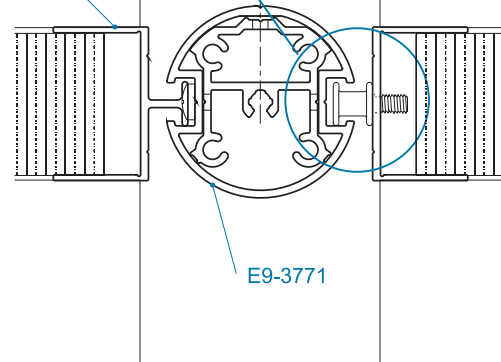


E9-3899
Pivot for
Cleaning Access



**SECTION 1
JAMB**

Notched Trim
(Pair)

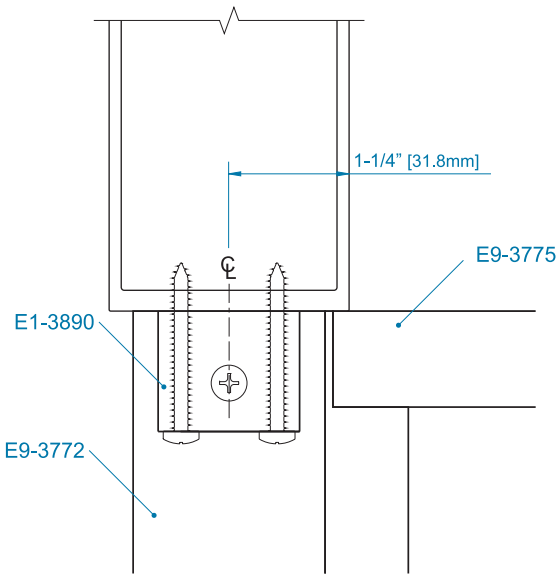
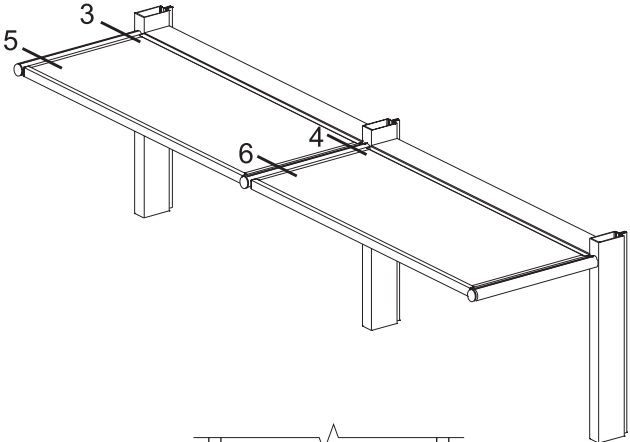
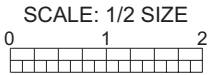


**SECTION 2
INTERMEDIATE**

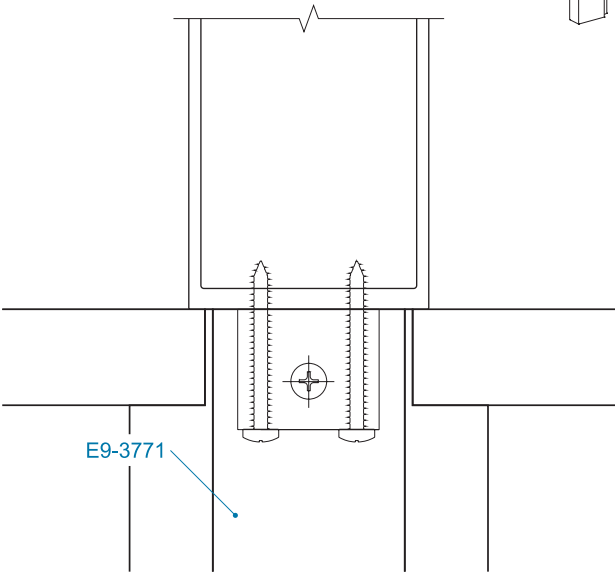
SCALE: 1/2 SIZE



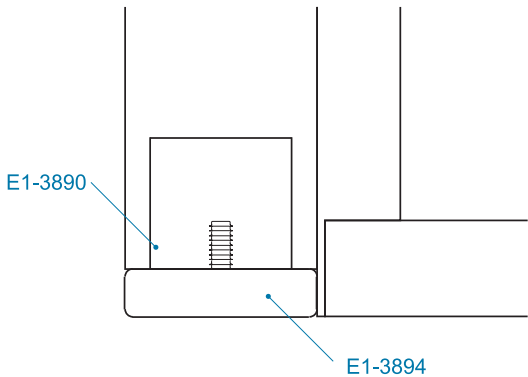
ROUND STRUT PLAN VIEW



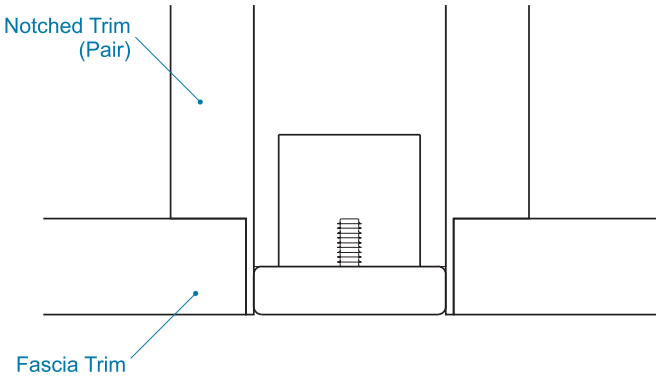
SECTION 3
JAMB



SECTION 4
INTERMEDIATE

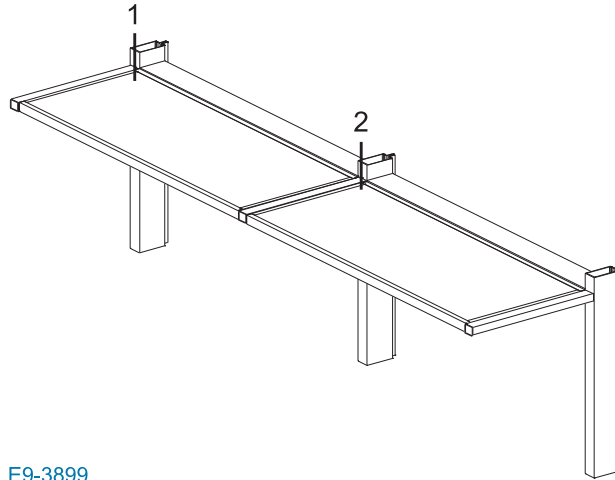


SECTION 5
JAMB

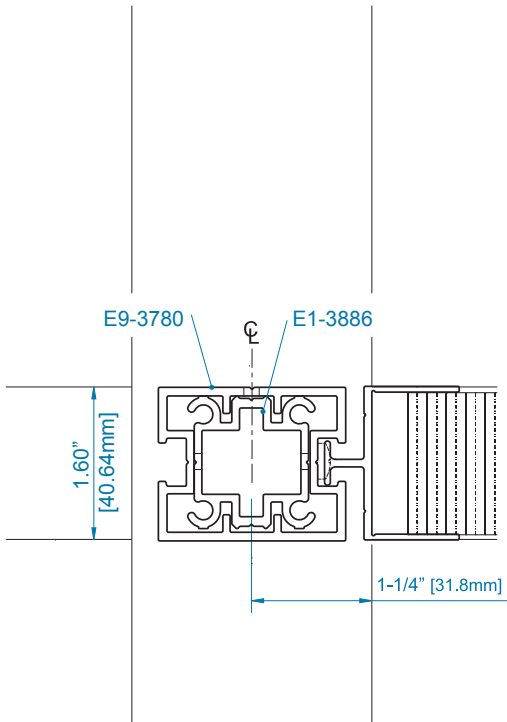
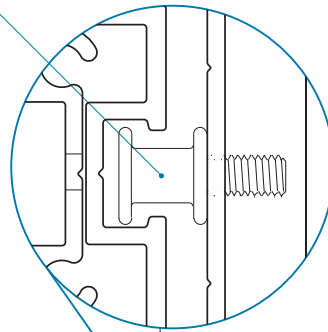


SECTION 6
INTERMEDIATE

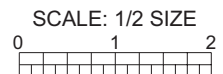
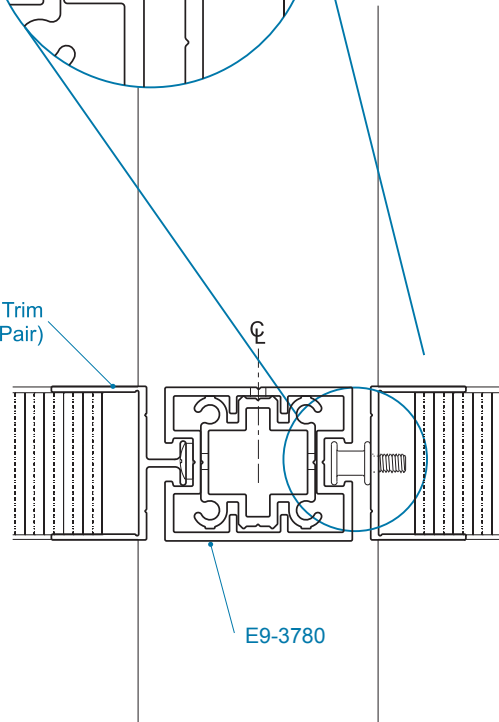
SQUARE STRUT PLAN VIEW



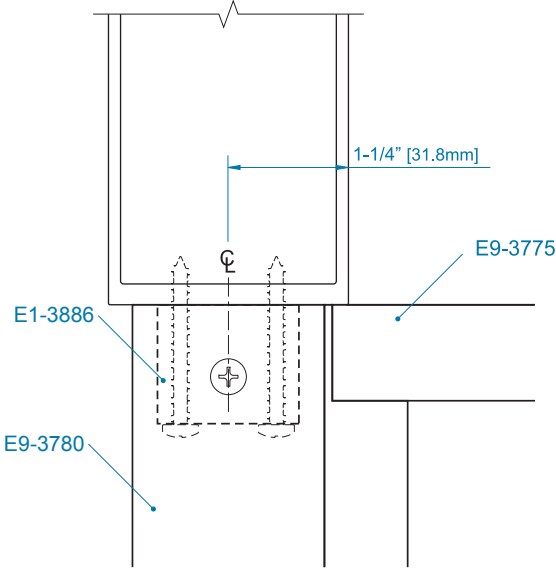
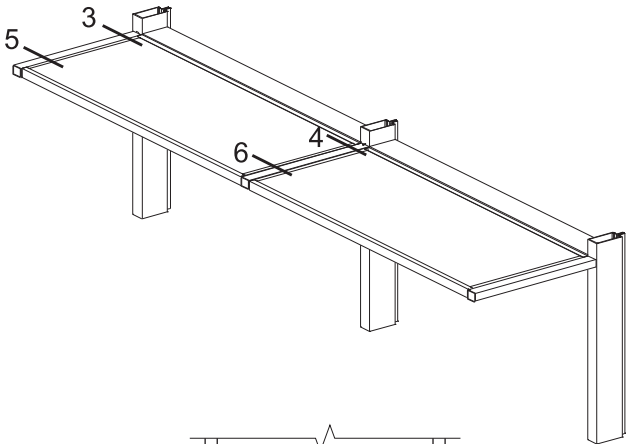
E9-3899
Pivot for
Cleaning Access



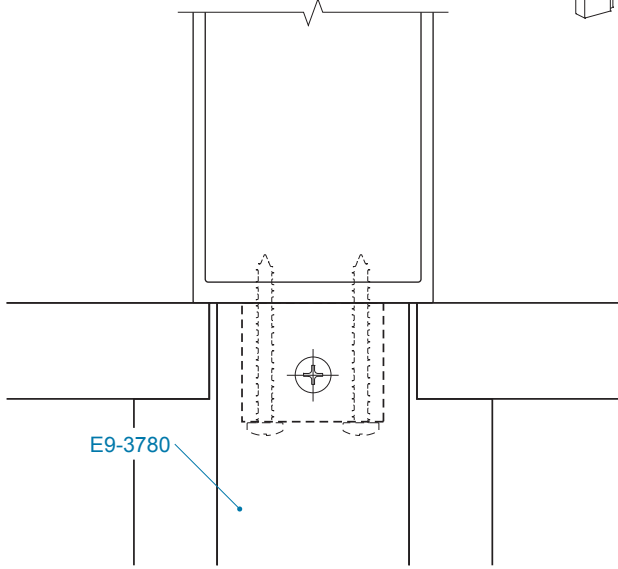
Notched Trim
(Pair)



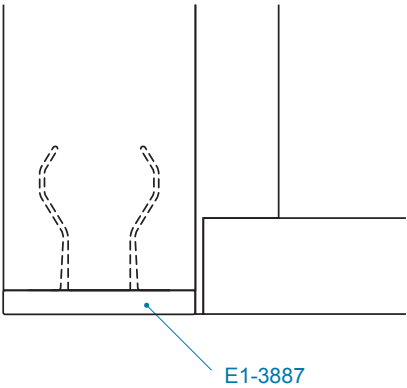
SQUARE STRUT PLAN VIEW



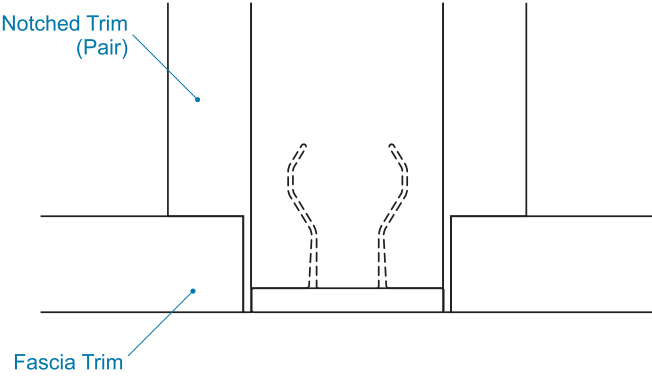
SECTION 3
JAMB



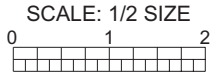
SECTION 4
INTERMEDIATE



SECTION 5
JAMB



SECTION 6
INTERMEDIATE



NOTCHED TRIM PAIR OPTIONS

