

TABLE OF CONTENTS

YSD 700/700 H SLIDING DOOR

STANDARD CONFIGURATIONS Page 2

YSD 700 SLIDING DOOR DETAILS

OX (1/4 SIZE) Page 3 to 5

OXO (1/4 SIZE) Page 6

OXXO (1/4 SIZE)..... Page 7

YSD 700 H PRODUCT DATA Page 8

YSD 700 H IMPACT RESISTANT SLIDING DOOR DETAILS

OX (1/4 SIZE) Page 9 to 11

OXO (1/4 SIZE) Page 12

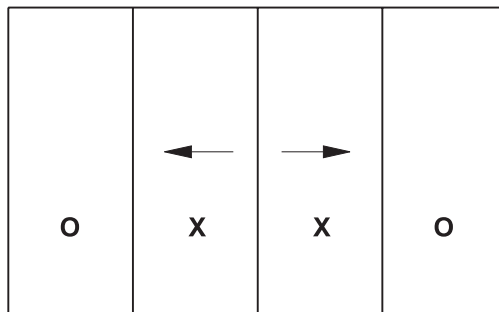
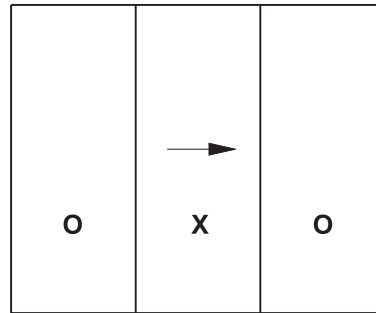
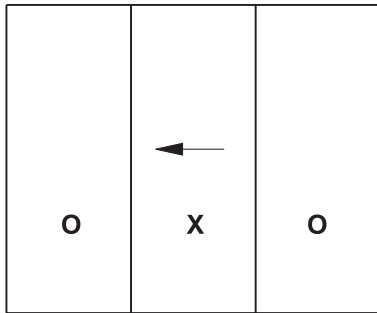
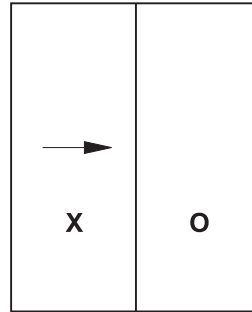
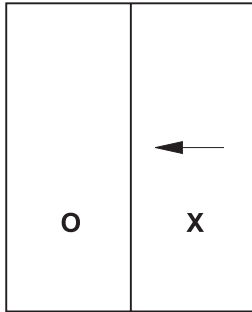
OXXO (1/4 SIZE)..... Page 13

YSD 700/700 H HARDWARE & ACCESSORIES Page 14

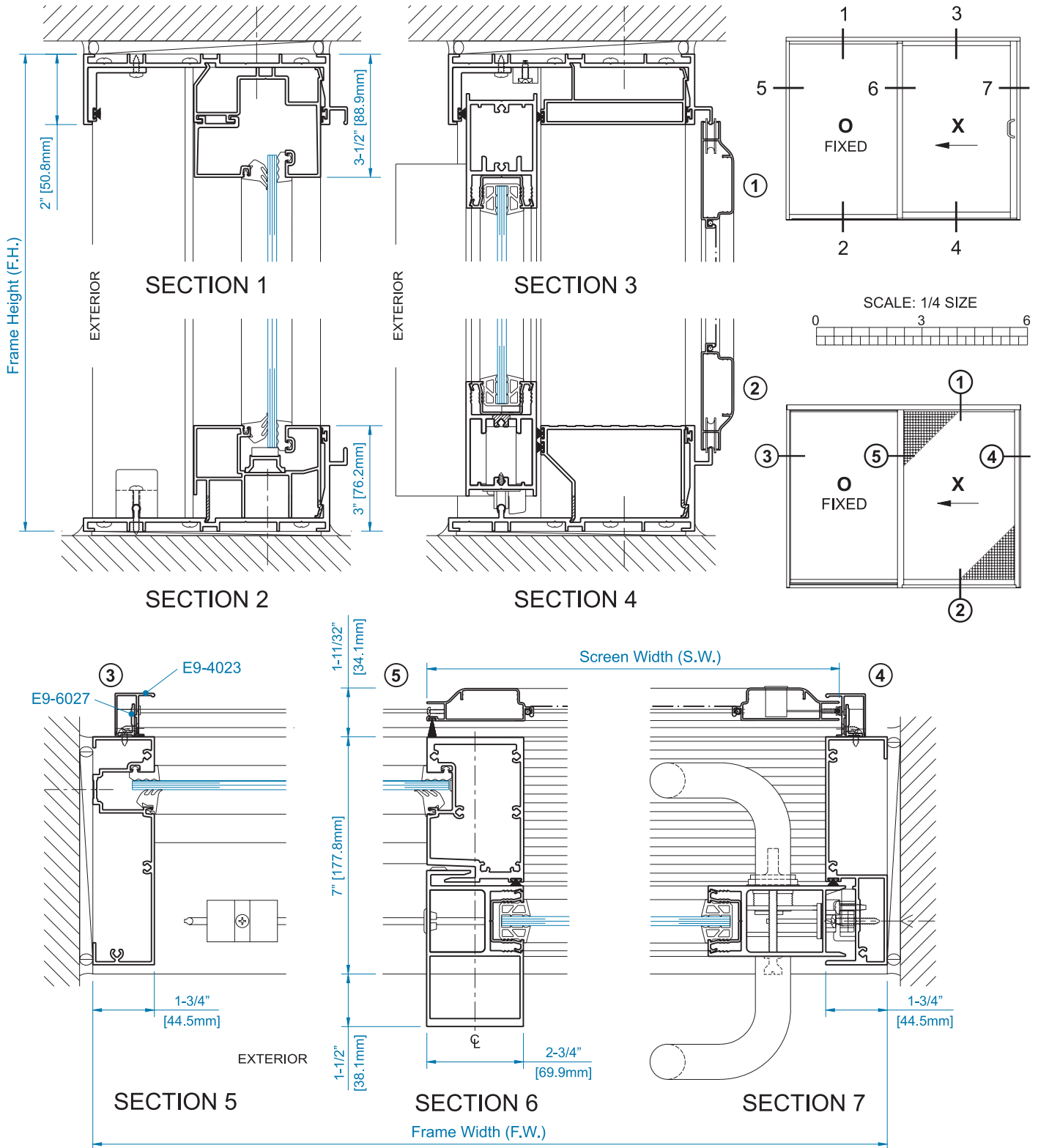
SIZE LIMITATIONS Page 15

*The latest installation instructions for this product are available at www.ykkap.com.

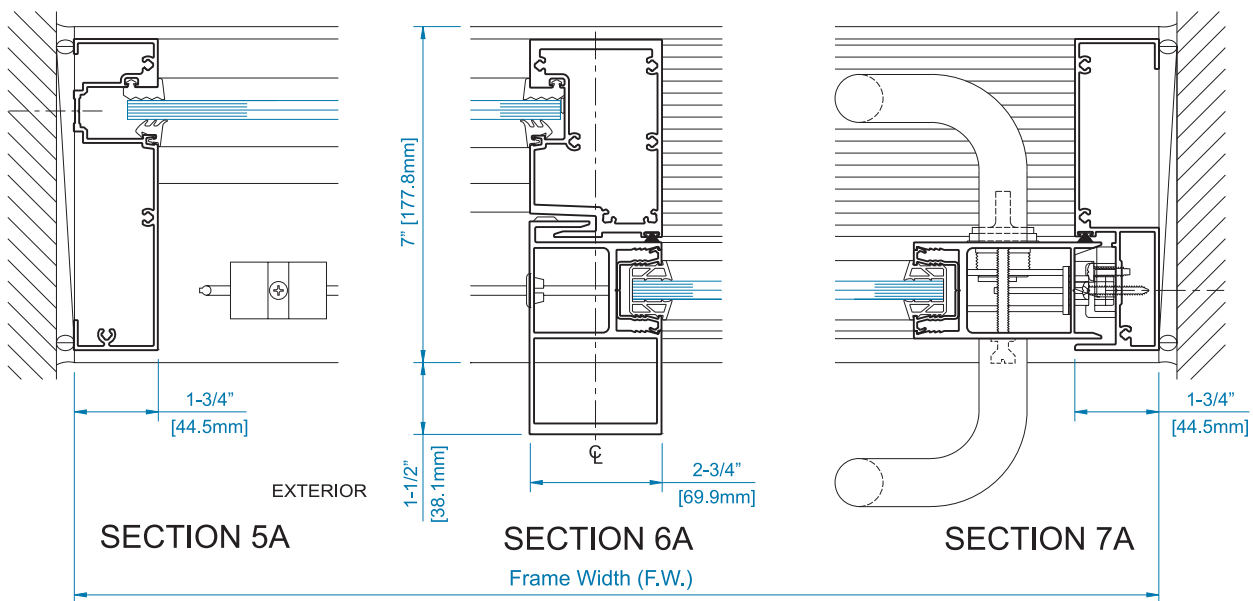
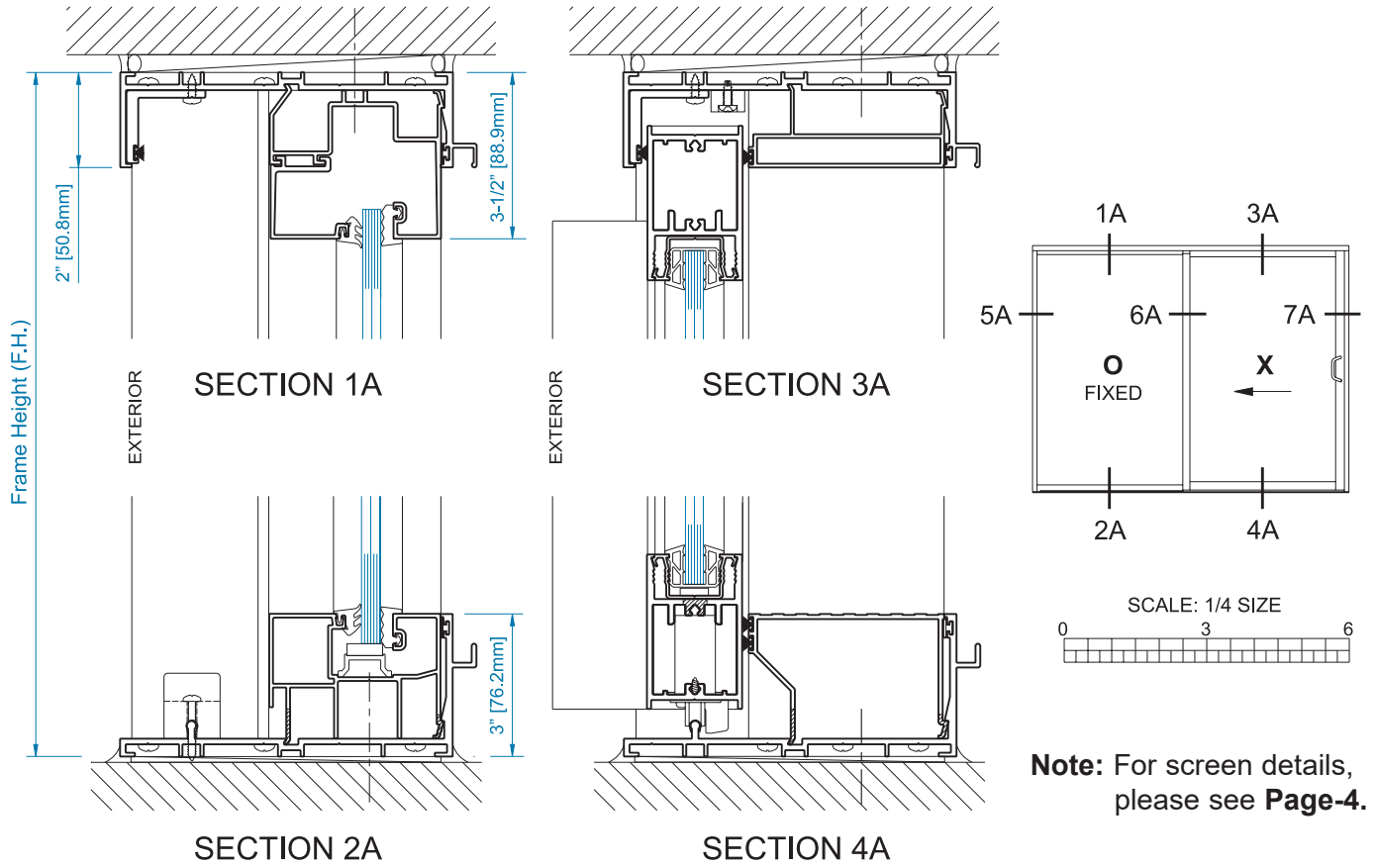
YSD 700/700 H STANDARD CONFIGURATIONS



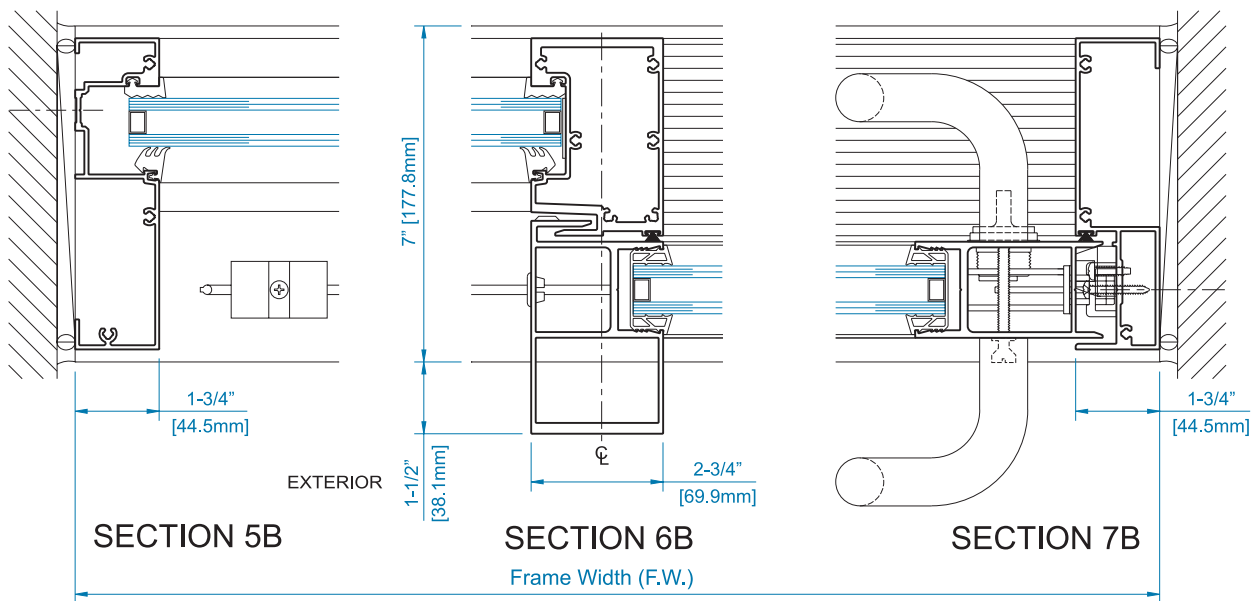
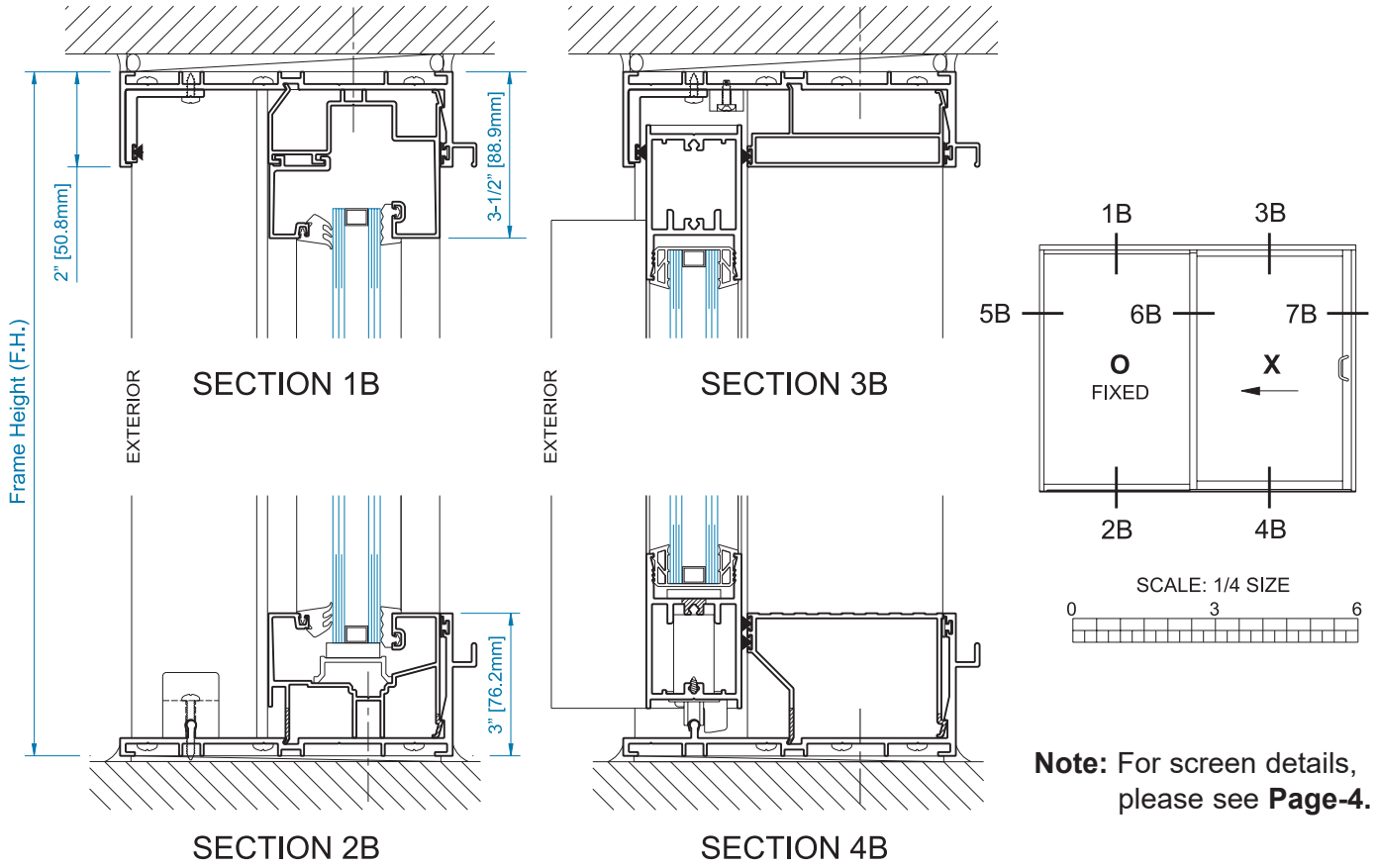
**OX CONFIGURATION
NON-IMPACT 1/4" GLAZING**



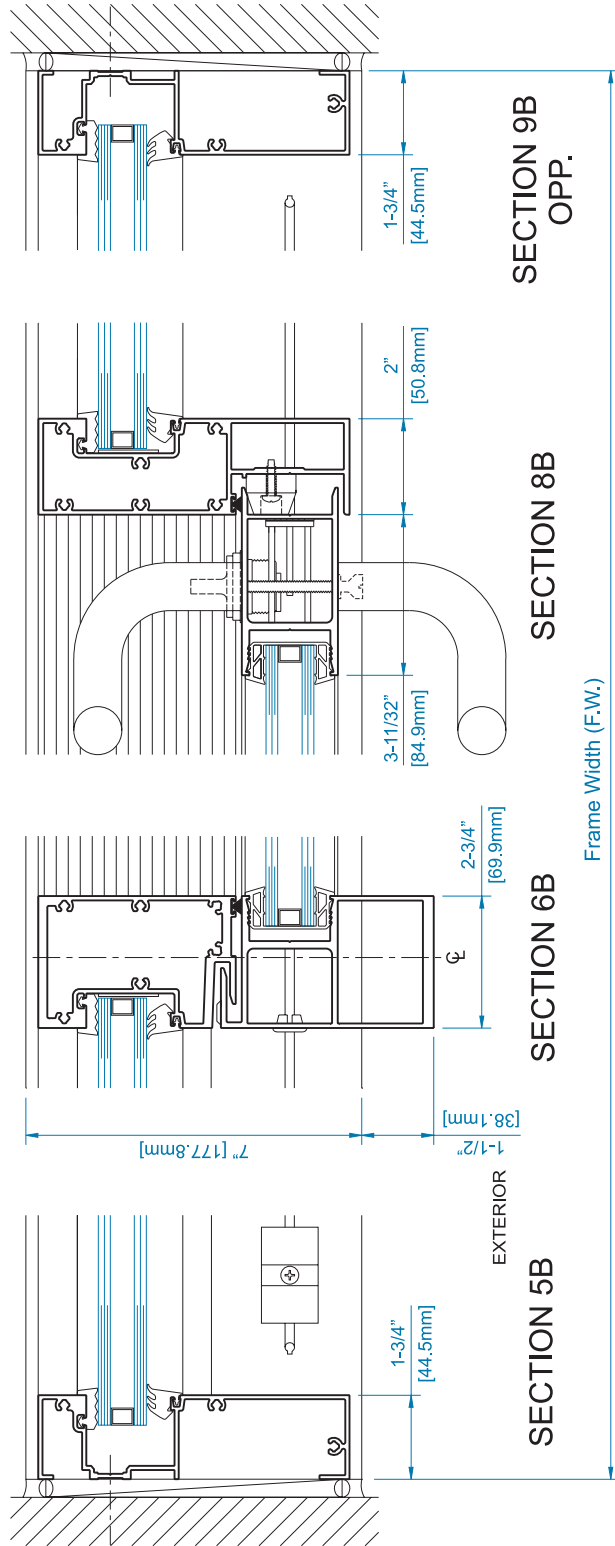
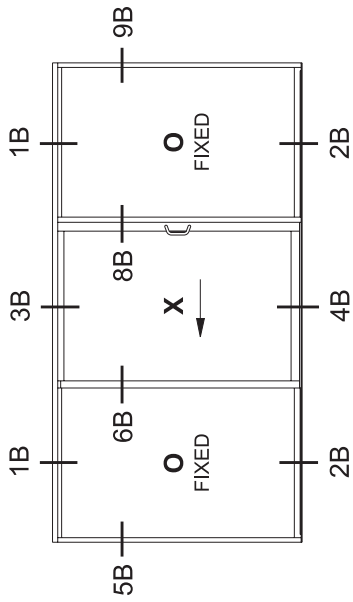
**OX CONFIGURATION
NON-IMPACT 3/8" GLAZING**



**OX CONFIGURATION
NON-IMPACT 1" GLAZING**

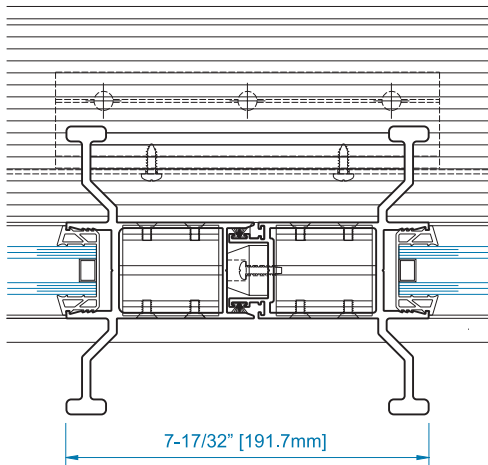
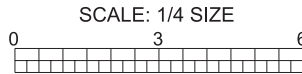
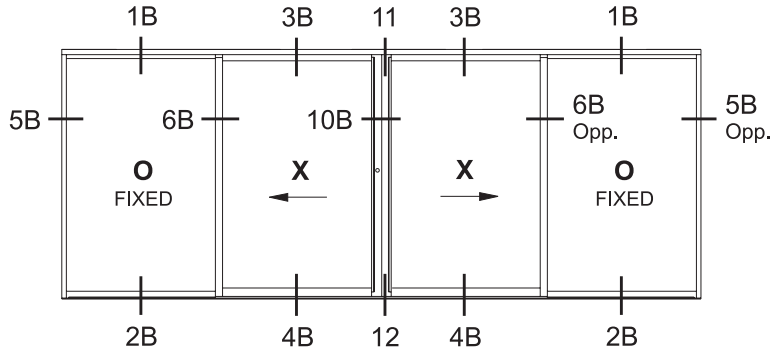


**OXO CONFIGURATION
NON-IMPACT 1" GLAZING**



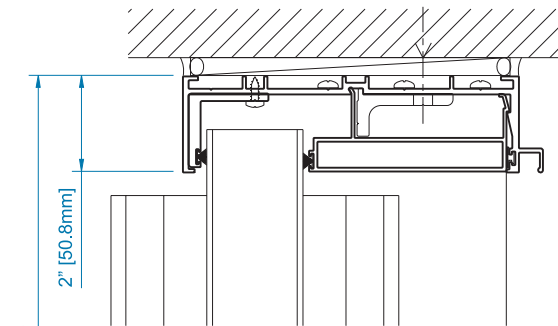
Note: Sections 1B, 2B, 3B, & 4B are shown on **Page-6**.
For other OXO glazing details, substitute details previously shown for OX configuration.
For screen details, please see **Page-4**.

**OXXO CONFIGURATION
NON-IMPACT 1" GLAZING**



SECTION 10B

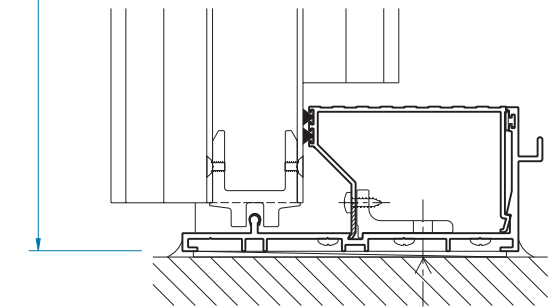
Frame Width (F.W.)



SECTION 11*
For All Glazing

Frame Height (F.H.)

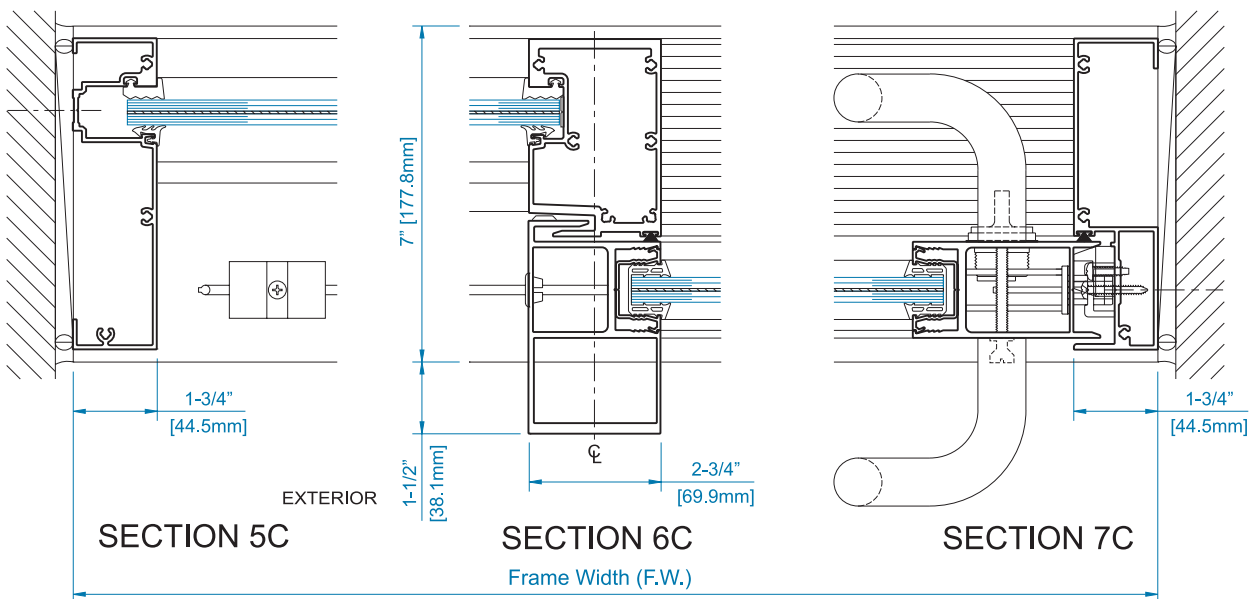
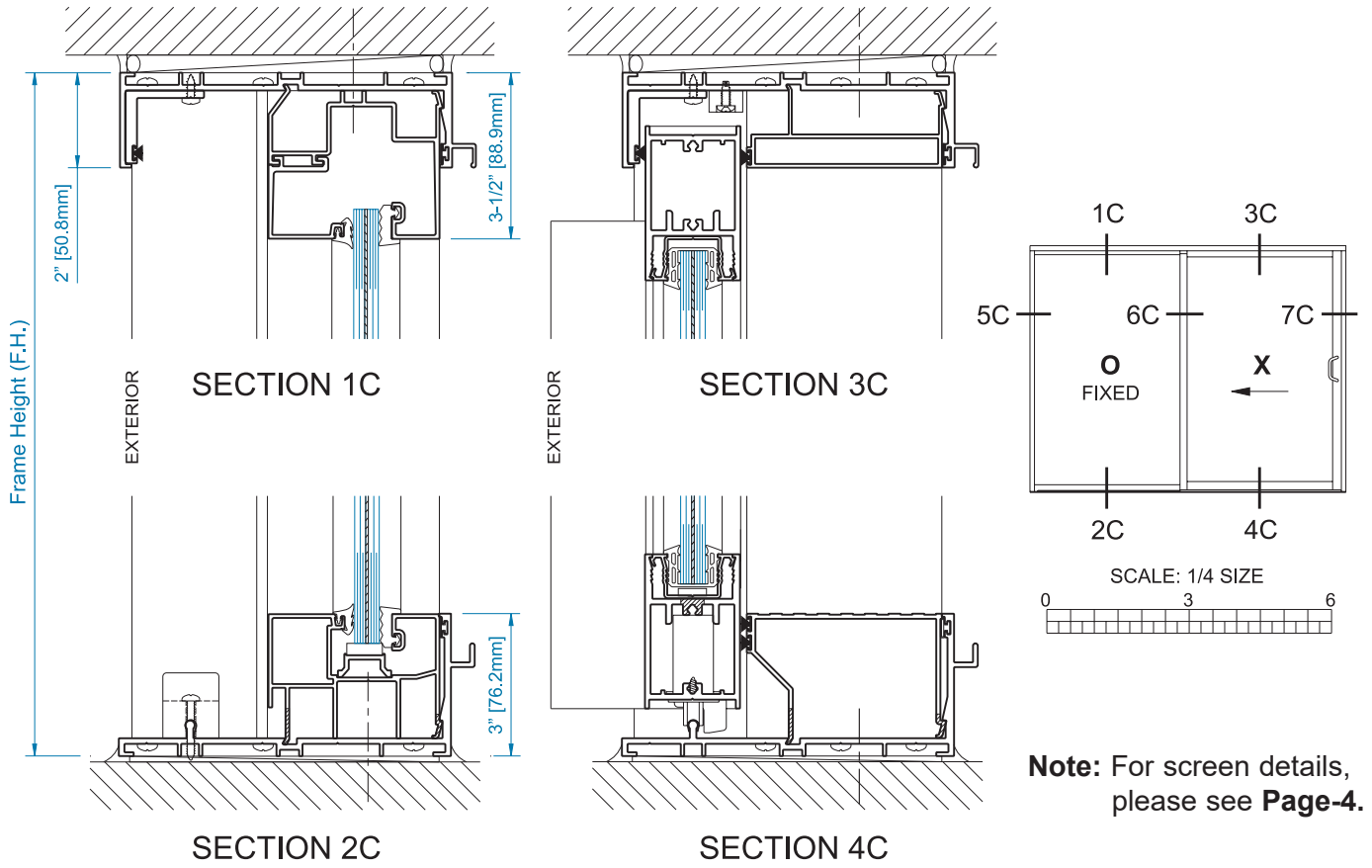
EXTERIOR



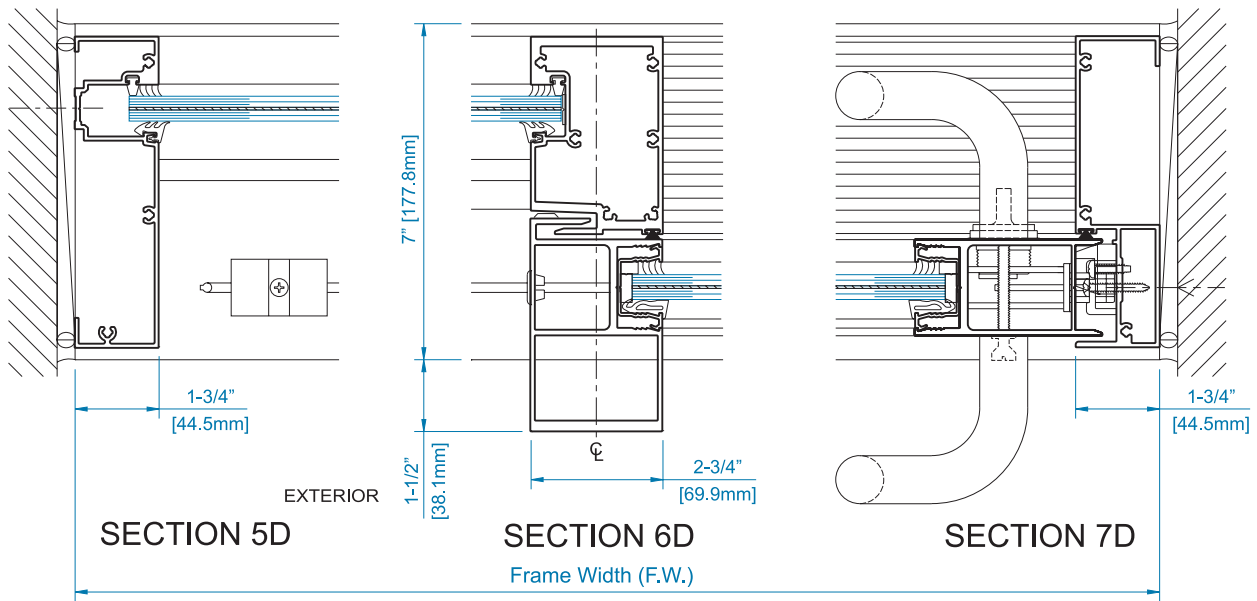
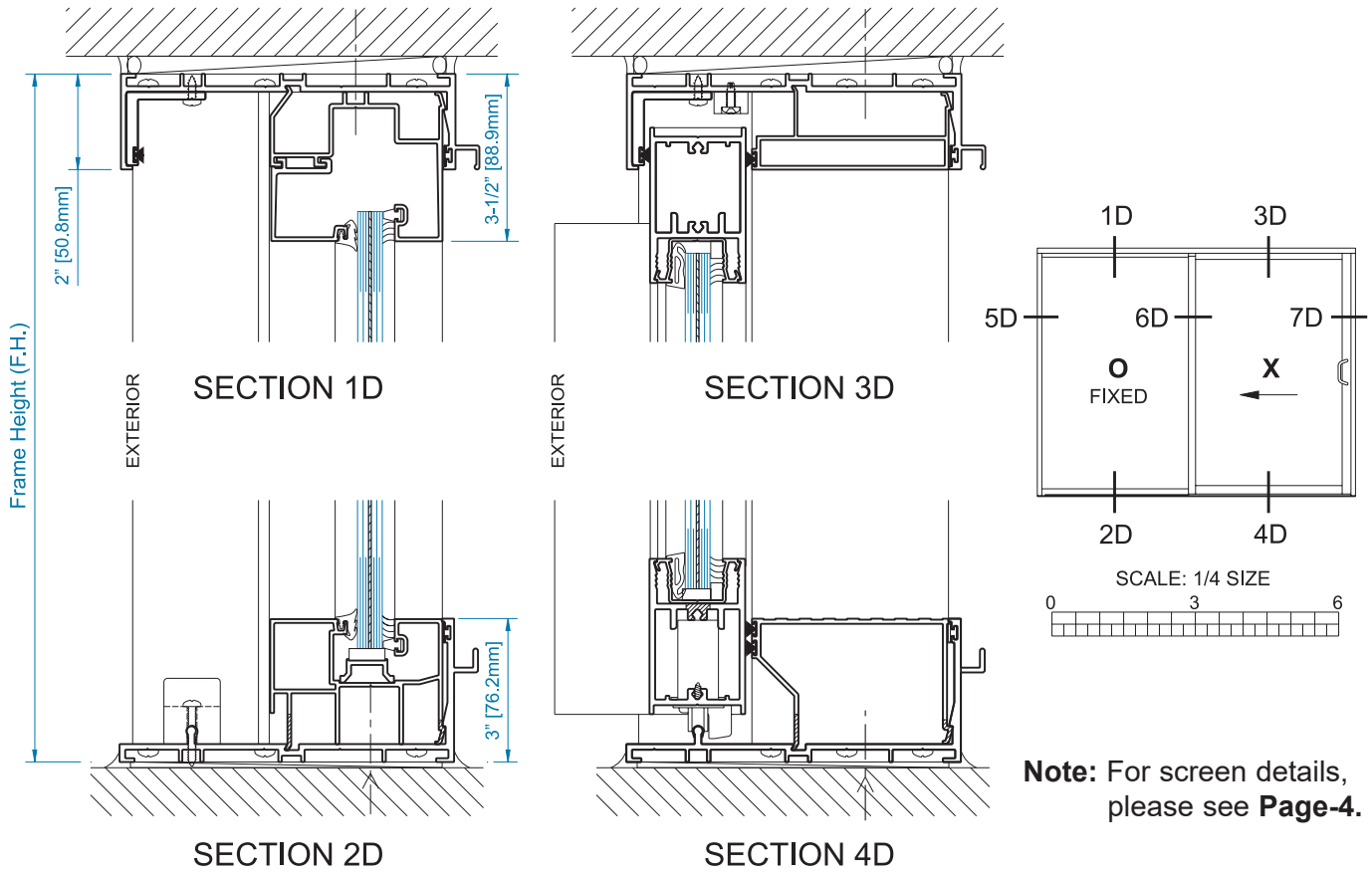
SECTION 12*
For All Glazing

Note: Sections 1B, 2B, 3B, & 4B are shown on **Page-6**.
Sections 5B & 6B are shown on **Page-7**.
For other OXXO glazing details, substitute details previously shown for OX configuration.

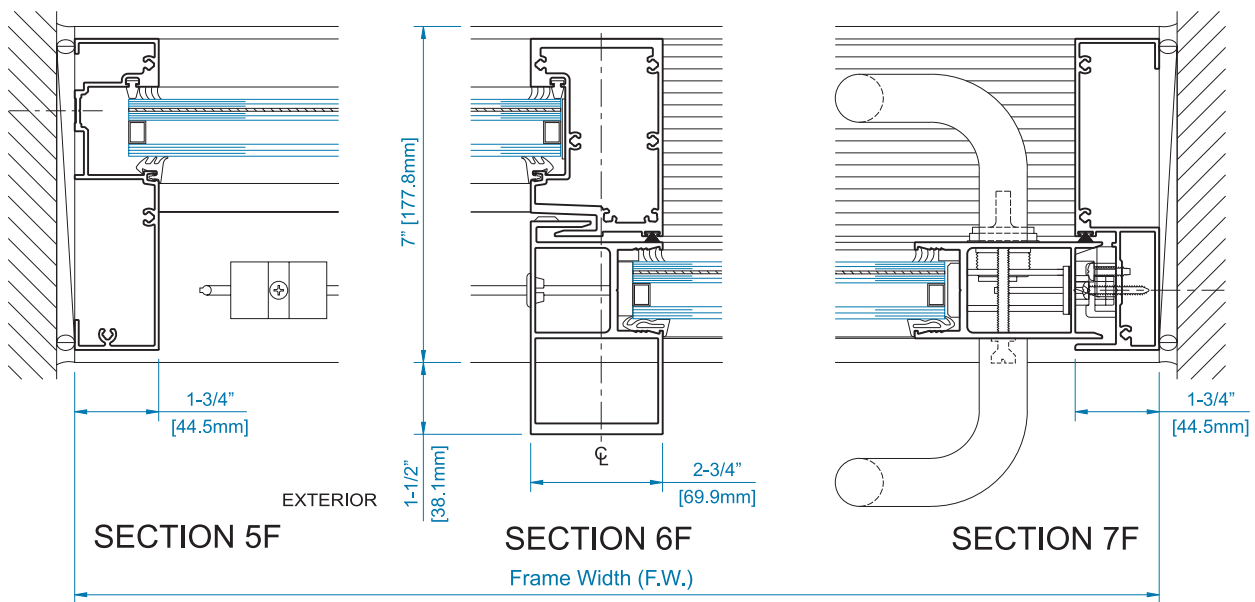
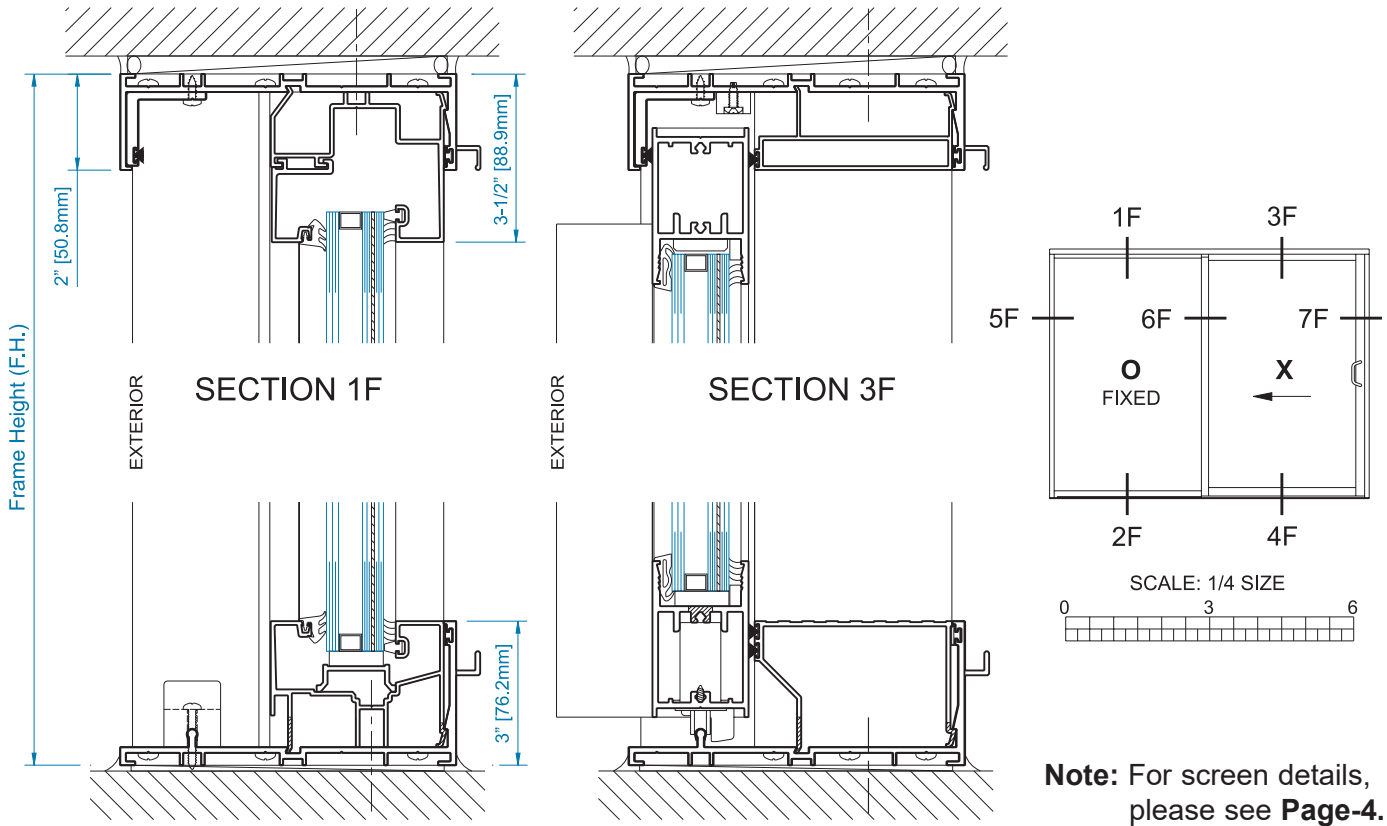
**OX CONFIGURATION
SMALL MISSILE 9/16" GLAZING**



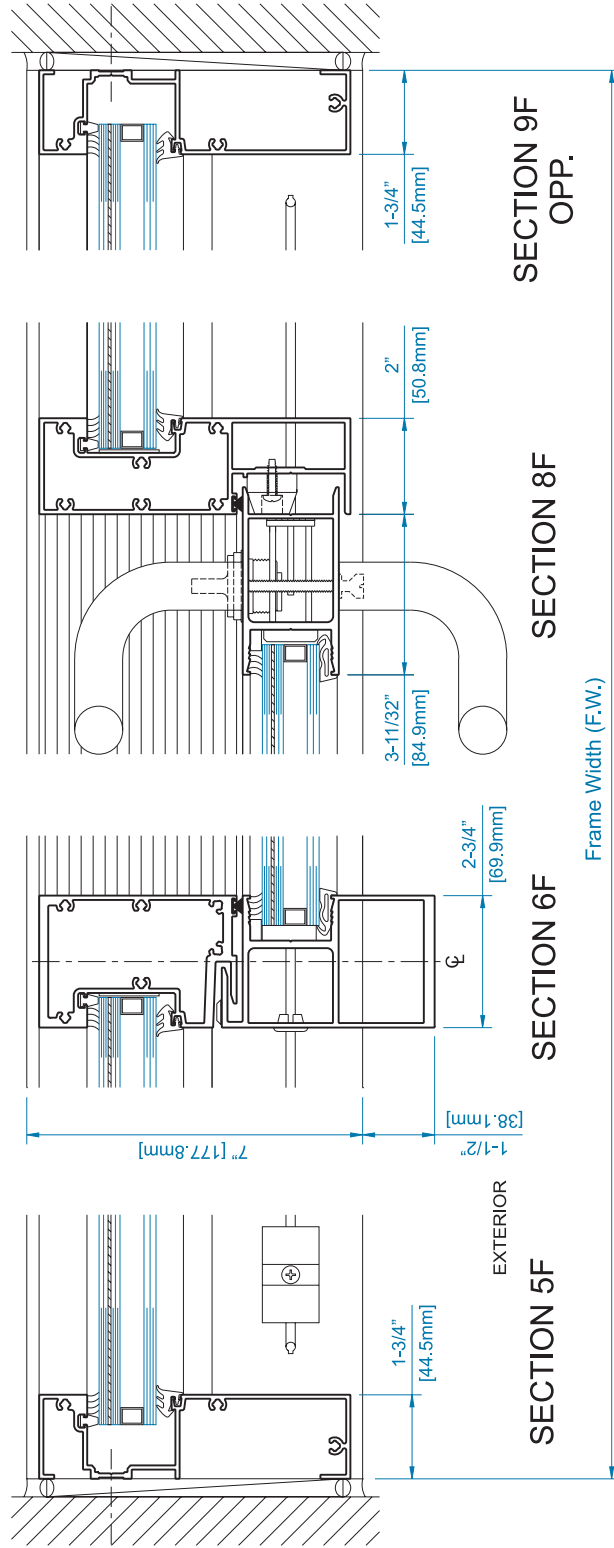
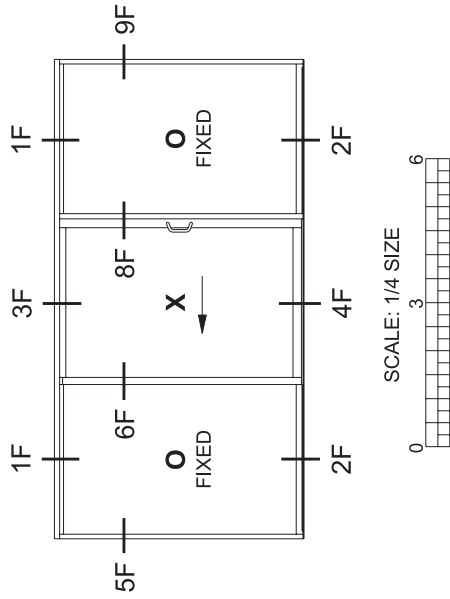
**OX CONFIGURATION
LARGE MISSILE 9/16" GLAZING**



**OX CONFIGURATION
LARGE MISSILE 1-3/16" GLAZING**

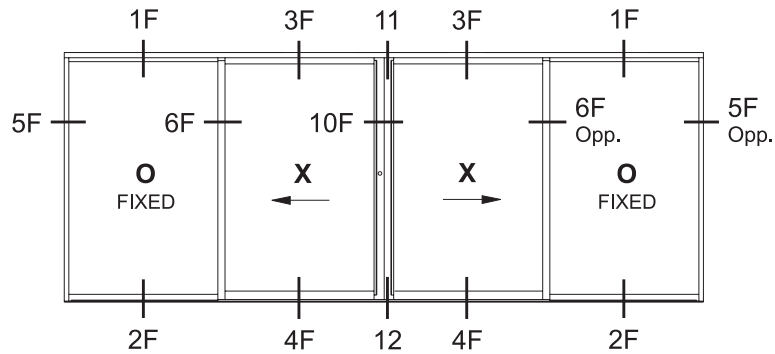


**OXO CONFIGURATION
LARGE MISSILE 1-3/16" GLAZING**

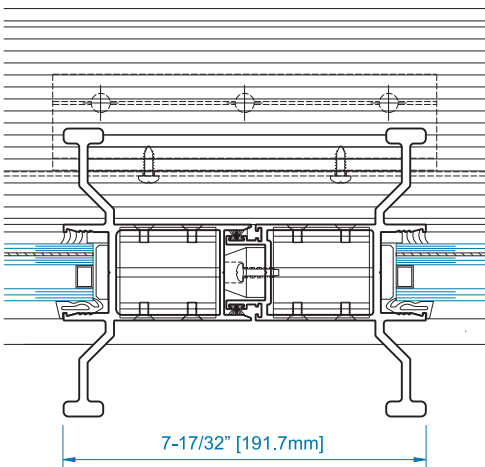
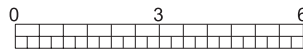


Note: Sections 1F, 2F, 3F, & 4F are shown on **Page-13**.
For other OXO glazing details, substitute details previously shown for OX configuration.
For screen details, please see **Page-4**.

**OXXO CONFIGURATION
LARGE MISSILE 1-3/16" GLAZING**

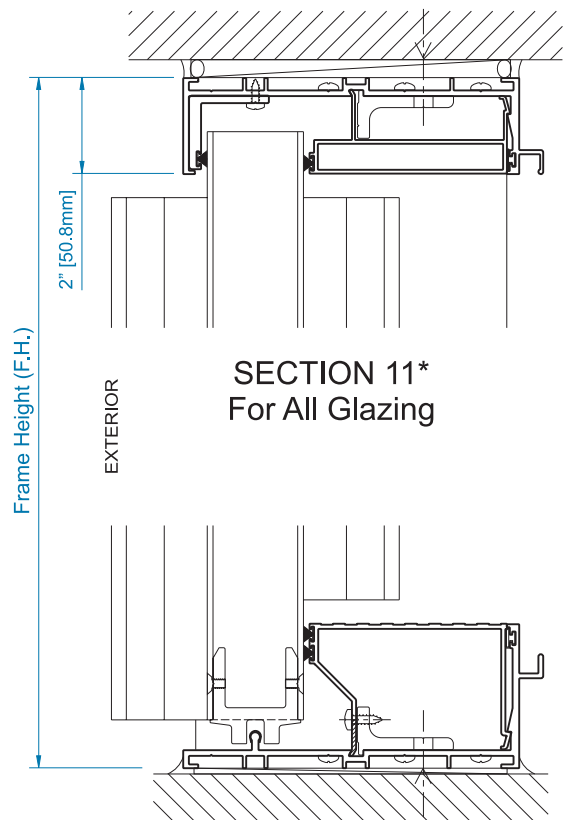


SCALE: 1/4 SIZE



SECTION 10F

Frame Width (F.W.)

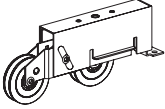
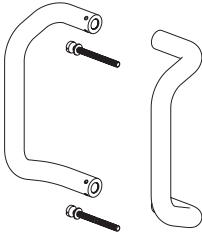
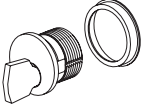
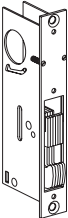



SECTION 11*
For All Glazing

SECTION 12*
For All Glazing

Note: Sections 1F, 2F, 3F, & 4F are shown on **Page-13**.
Sections 5F & 6F are shown on **Page-14**.
For other OXXO glazing details, substitute
details previously shown for OX configuration.

HARDWARE & ACCESSORIES

ITEM	DETAIL	DESCRIPTION	MATERIAL
BALL BEARING ROLLERS	 E1-1620	Adjustable rollers equipped with full race, permanently lubricated ball bearings which are labyrinth shielded to resist contamination by dust and moisture.	STAINLESS STEEL
DOOR PULL PACKAGE	 H-1342	1" diameter formed aluminum pull handles. Attached through the door by shoulder bolts. Exterior pull is attached with set screws and interior pull is threaded to accept shoulder bolt.	ALUMINUM
THUMBTURN CYLINDER TRIM RING	 H-4204 P-48510	Thumbturn cylinders are installed on the interior to provide easy operation of MS Lock. Trim rings included. Available in clear or black finish.	COMPOSITE METAL ALLOY ALUMINUM
MS LOCK HOOKBOLT	 P-2101	Adams Rite MS1853A-450 hookbolt with 1 1/2" backset. All steel case with laminated steel hookbolt.	ZINC PLATED STEEL
FACE PLATE FOR MS LOCK	 P-33118	Face plate for MS Lock, available in clear or black finish.	ALUMINUM

SLIDING DOOR SIZE LIMITATIONS

CONFIGURATION		MAXIMUM FRAME SIZE (AS TESTED)
<p>OX & XO</p>	Insulated Glazing	10' 3" x 8' 0"
	Monolithic Glazing	8' 1-7/8" x 9' 0"
	Monolithic Glazing w/Steel	8' 1-7/8" x 10' 0"
<p>OXO</p>	Insulated Glazing	15' 4" x 8' 0"
	Monolithic Glazing	12' 0" x 9' 0"
	Monolithic Glazing w/Steel	12' 0" x 10' 0"
<p>OXXO</p>	Insulated Glazing	20' 6" x 8' 0"
	Monolithic Glazing	16' 1" x 9' 0"
	Monolithic Glazing w/Steel	16' 1" x 10' 0"

NOTE:

Frame width and height should allow 3/4" for width & 1/2" for height overall clearance between the door frame and rough opening. This allows for thermal expansion and ease of installation.

