

TABLE OF CONTENTS

**YOV SSG VENT OPERABLE WINDOWS FOR CURTAIN WALL
AND WINDOW WALL**

YOV SSG - VENT ORDERING CONFIGURATION MATRIX	Pages 2 to 4
DETAILS FOR 4-SIDED SSG CURTAIN WALL	Pages 5 to 9
DETAILS FOR 1 & 2-SIDED SSG CURTAIN WALL	Pages 10 to 17
DETAILS FOR 2 & 4-SIDED SSG (YWW 50/60 TU).....	Pages 18 to 23
DETAILS FOR 2-SIDED SSG (YWW 45 T/TU/FI).....	Pages 24 to 27
ACCESSIBLE WINDOW HARDWARE OPTIONS	Pages 28 to 31
SCREEN DETAILS (1/2 SIZE).....	Pages 32 to 39
TECHNICAL NOTES.....	Pages 40 to 47
HARDWARE & ACCESSORIES	Page 48

*The latest installation instructions for this product are available at www.ykkap.com.

YOV SSG - VENT ORDERING CONFIGURATION MATRIX FOR YCW 750 SSG

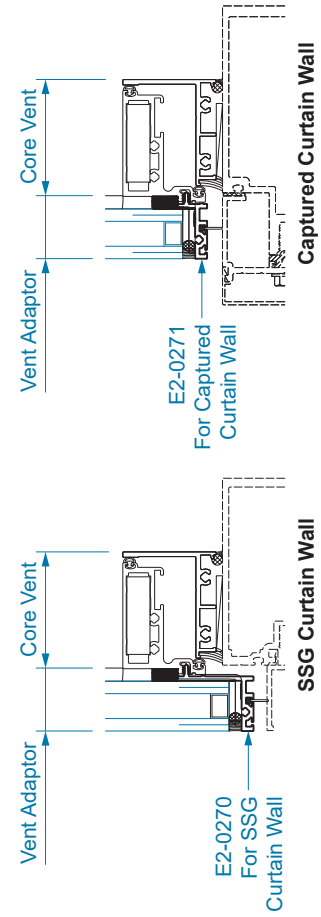
<p>DEFAULT YOV SSG - Used on 4-sided SSG Curtain Wall Example Order Entry Description: YOY SSG - 4 All 4 sides of vent use E2-0270 Adaptor for use on a structurally glazed curtain wall.</p>						
<p>OPTION YOV SSG - Used on 3-sided SSG Curtain Wall Example Order Entry Description: YOY SSG - 3-TBL 3 sides of vent use E2-0270 Adaptor on the top, bottom, and left side. The right side will use E2-0271 adaptor.</p>						
<p>OPTION YOV SSG - Used on 2-sided SSG Curtain Wall Example Order Entry Description: YOY SSG - 2-LB 2 sides of vent use E2-0270 Adaptor on the left side and bottom. The right side and top will use E2-0271 adaptor.</p>						
<p>OPTION YOV SSG - Used on 1-sided SSG Curtain Wall Example Order Entry Description: YOY SSG - 1-T 1 side of vent will use E2-0270 adaptor on the top. The bottom, left side, and right side will use E2-0271 adaptor</p>						
<p>OPTION YOV SSG - Used on Captured Curtain Wall Example Order Entry Description: YOY SSG - 0 All 4 sides will use the E2-0271 for use on a captured curtain wall system.</p>						

Note:

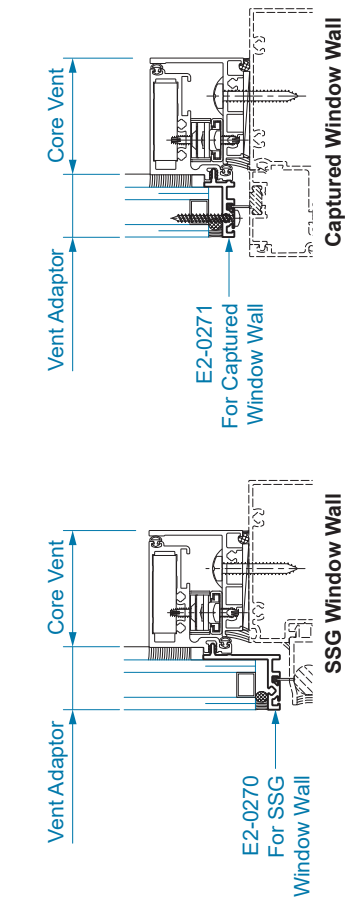
1. Letters T-B-L-R always refer to curtain wall SSG glazing. Otherwise the vent will be manufactured for captured curtainwall.
2. This system requires 2 Bill of Materials (BOM) to complete one window; One for the core vent and one for the vent adaptor. Refer to tech drawings and BOM's for complete description of components.
3. * If window is used for accessibility, this side must be captured.

LEGEND:

- T - E2-0270 SSG Vent Adaptor - Top of Vent
- B - E2-0270 SSG Vent Adaptor - Bottom of Vent
- L - E2-0270 SSG Vent Adaptor - Left Side of Vent
- R - E2-0270 SSG Vent Adaptor - Right Side of Vent
- NO LETTER - E2-0271 Captured Vent Adaptor in this position



YOY SSG - VENT ORDERING CONFIGURATION MATRIX FOR YWW 50/60 TU						
<p>DEFAULT YOY SSG - Used on 4-sided SSG Window Wall Example Order Entry Description: YOY SSG - 4 All 4 sides of vent use E2-0270 Adaptor for use on a structurally glazed curtain wall.</p>						
<p>OPTION YOY SSG - Used on 3-sided SSG Window Wall Example Order Entry Description: YOY SSG - 3-TBL 3 sides of vent use E2-0270 Adaptor on the top, bottom, and left side. The right side will use E2-0271 adaptor.</p>						
<p>OPTION YOY SSG - Used on 2-sided SSG Window Wall Example Order Entry Description: YOY SSG - 2-LB 2 sides of vent use E2-0270 Adaptor on the left side and bottom. The right side and top will use E2-0271 adaptor.</p>						
<p>OPTION YOY SSG - Used on 1-sided SSG Window Wall Example Order Entry Description: YOY SSG - 1-T 1 side of vent will use E2-0270 adaptor on the top. The bottom, left side, and right side will use E2-0271 adaptor</p>						
<p>OPTION YOY SSG - Used on Captured Window Wall Example Order Entry Description: YOY SSG - 0 All 4 sides will use the E2-0271 for use on a captured window wall system.</p>						



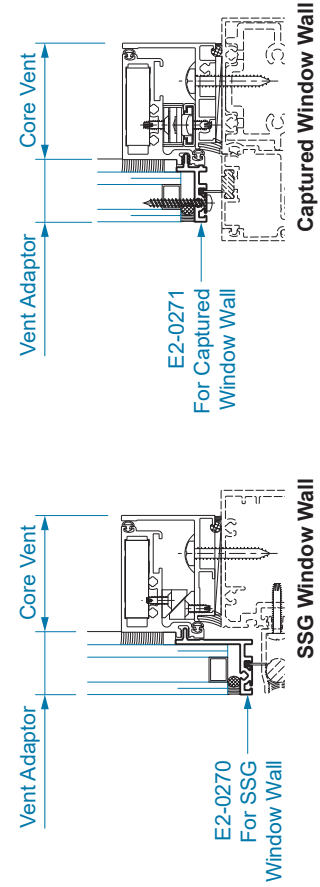
Note:

- Letters T-B-L-R always refer to window wall SSG glazing, otherwise the vent will be manufactured for captured window wall. This system requires 2 Bill of Materials (BOM) to complete one window; One for the core vent and one for the vent adaptor. Refer to tech drawings and BOM's for complete description of components.
- * If window is used for accessibility, this side must be captured.

LEGEND:

- T - E2-0270 SSG Vent Adaptor - Top of Vent
- B - E2-0270 SSG Vent Adaptor - Bottom of Vent
- L - E2-0270 SSG Vent Adaptor - Left Side of Vent
- R - E2-0270 SSG Vent Adaptor - Right Side of Vent
- NO LETTER - E2-0271 Captured Vent Adaptor in this position

YOY SSG - VENT ORDERING CONFIGURATION MATRIX FOR YWW 50 T & YWW 45 T/TU/FI					
<p>DEFAULT YOY SSG - Used on 4-sided SSG Window Wall Example Order Entry Description: YOY SSG - 4 All 4 sides of vent use E2-0270 Adaptor for use on a structurally glazed window wall.</p>					
<p>OPTION YOY SSG - Used on 3-sided SSG Window Wall Example Order Entry Description: YOY SSG - 3-TBL 3 sides of vent use E2-0270 Adaptor on the top, bottom, and left side. The right side will use E2-0271 adaptor.</p>					
<p>OPTION YOY SSG - Used on 2-sided SSG Window Wall Example Order Entry Description: YOY SSG - 2-LB 2 sides of vent use E2-0270 Adaptor on the left side and bottom. The right side and top will use E2-0271 adaptor.</p>					
<p>OPTION YOY SSG - Used on 1-sided SSG Window Wall Example Order Entry Description: YOY SSG - 1-T 1 side of vent will use E2-0270 adaptor on the top. The bottom, left side, and right side will use E2-0271 adaptor</p>					
<p>OPTION YOY SSG - Used on Captured Window Wall Example Order Entry Description: YOY SSG - 0 All 4 sides will use the E2-0271 for use on a captured window wall system.</p>					



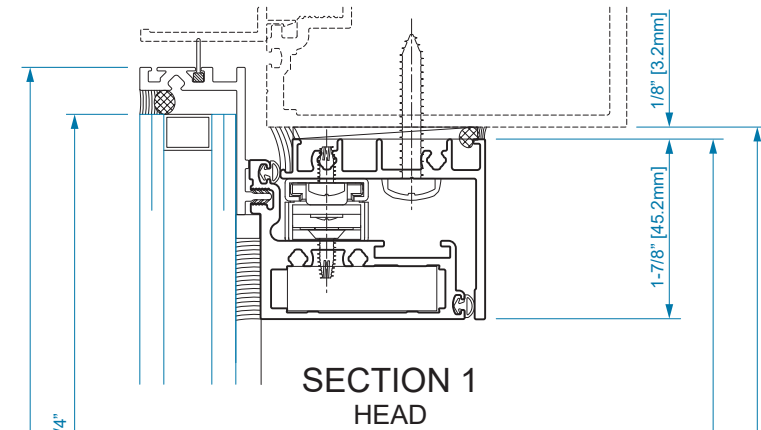
Note:

- Letters T-B-L-R always refer to window wall SSG glazing. Otherwise the vent will be manufactured for captured window wall.
- This system requires 2 Bill of Materials (BOM) to complete one window; One for the core vent and one for the vent adaptor. Refer to tech drawings and BOM's for complete description of components.
- * If window is used for accessibility, this side must be captured.

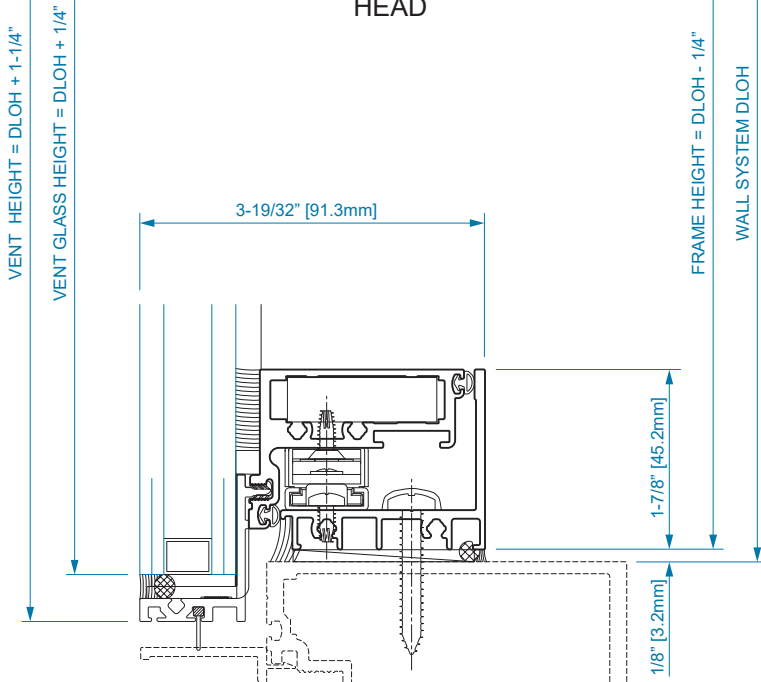
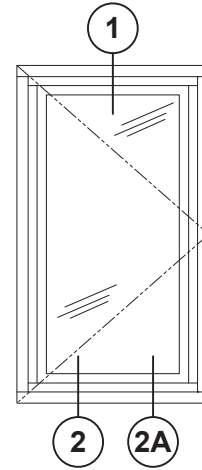
LEGEND:

- T - E2-0270 SSG Vent Adaptor - Top of Vent
- B - E2-0270 SSG Vent Adaptor - Bottom of Vent
- L - E2-0270 SSG Vent Adaptor - Left Side of Vent
- R - E2-0270 SSG Vent Adaptor - Right Side of Vent
- NO LETTER - E2-0271 Captured Vent Adaptor in this position

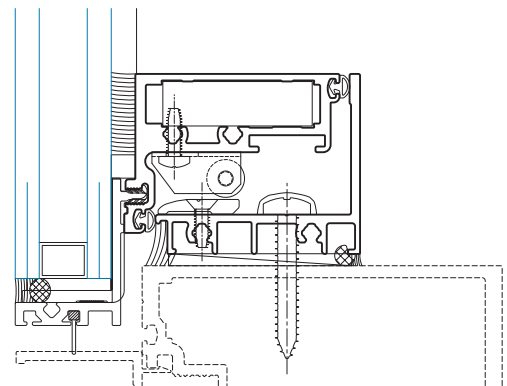
4-SIDED SSG WINDOW FRAMING OPTIONS
CASEMENT OUTSWING (FOR YCW 750 SSG)



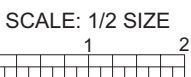
SECTION 1
HEAD



SECTION 2
SILL

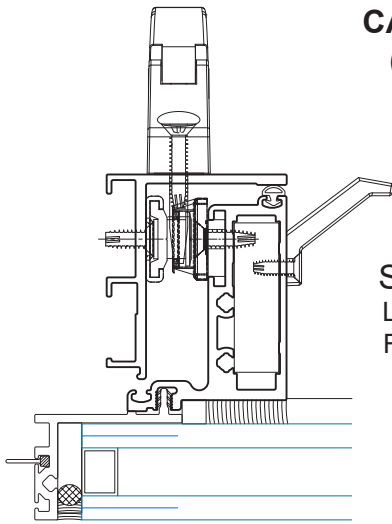


SECTION 2A
SILL @
ROLLER GUIDE

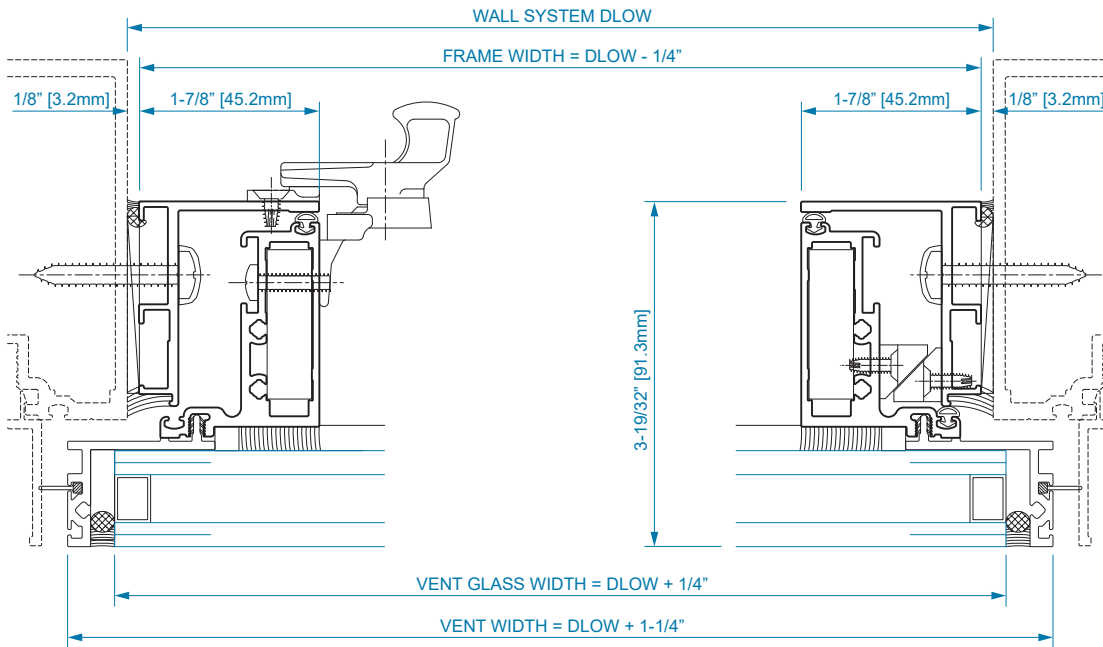
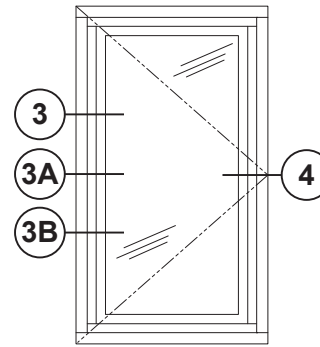


For additional details, visit www.ykkap.com.

**4-SIDED SSG WINDOW FRAMING OPTIONS
CASEMENT OUTSWING
(FOR YCW 750 SSG)**

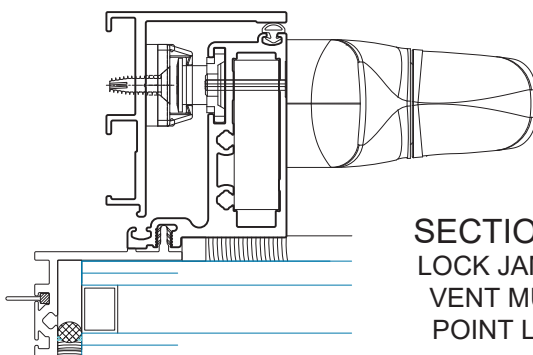


SECTION 3A
LOCK JAMB W/
FRAME MULTI-
POINT LOCK

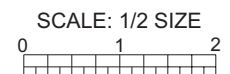


SECTION 3
JAMB W/
CAM LOCK

SECTION 4
HINGE JAMB

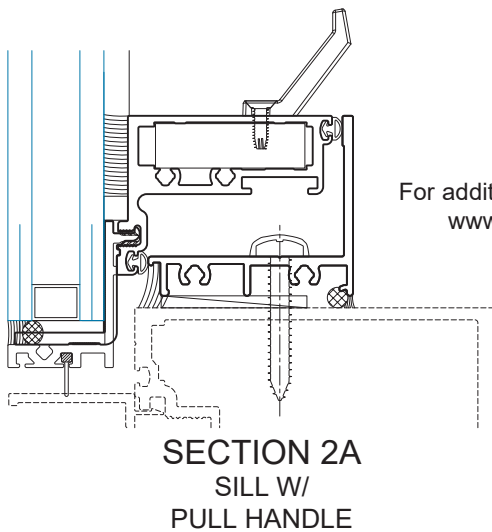
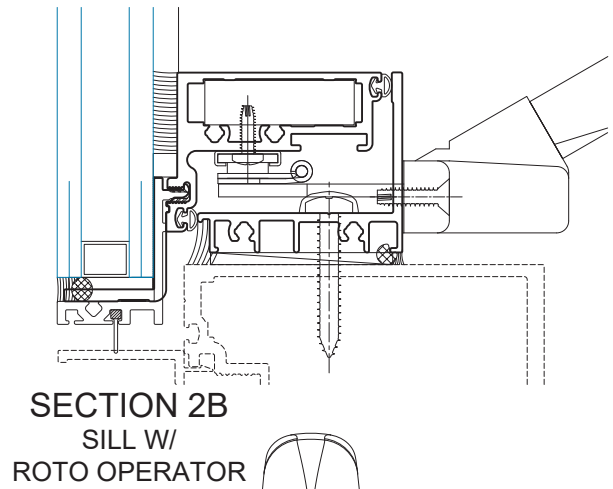
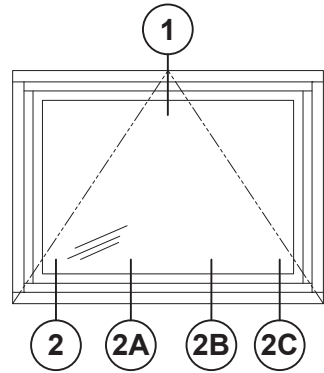
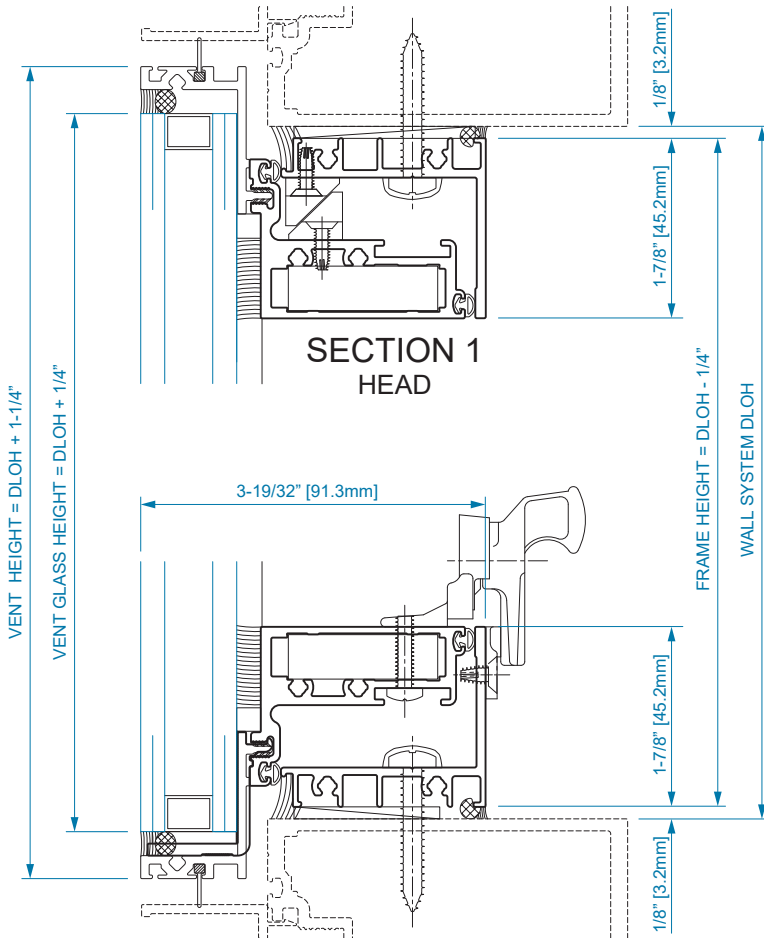


SECTION 3B
LOCK JAMB W/
VENT MULTI-
POINT LOCK

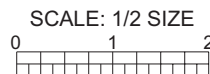
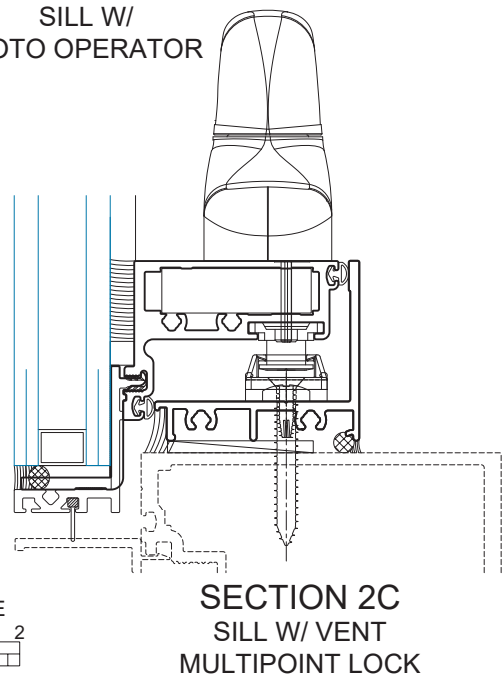


For additional details, visit www.ykkap.com.

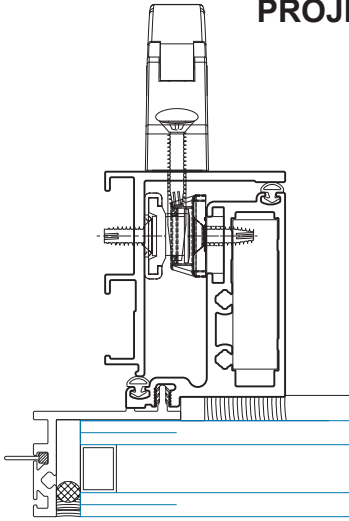
4-SIDED SSG WINDOW FRAMING OPTIONS
PROJECT OUT (FOR YCW 750 SSG)



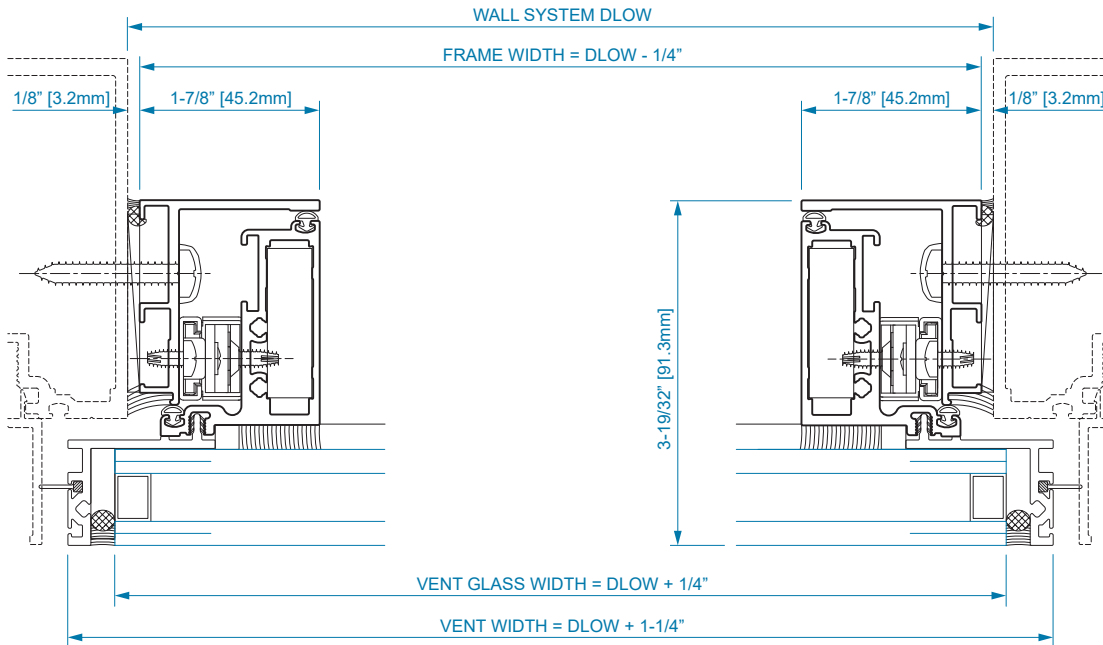
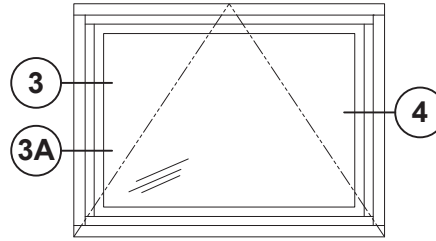
For additional details, visit www.ykkap.com.



**4-SIDED SSG WINDOW FRAMING OPTIONS
PROJECT OUT (FOR YCW 750 SSG)**



**SECTION 3A
JAMB W/ FRAME
MULTI-POINT LOCK**



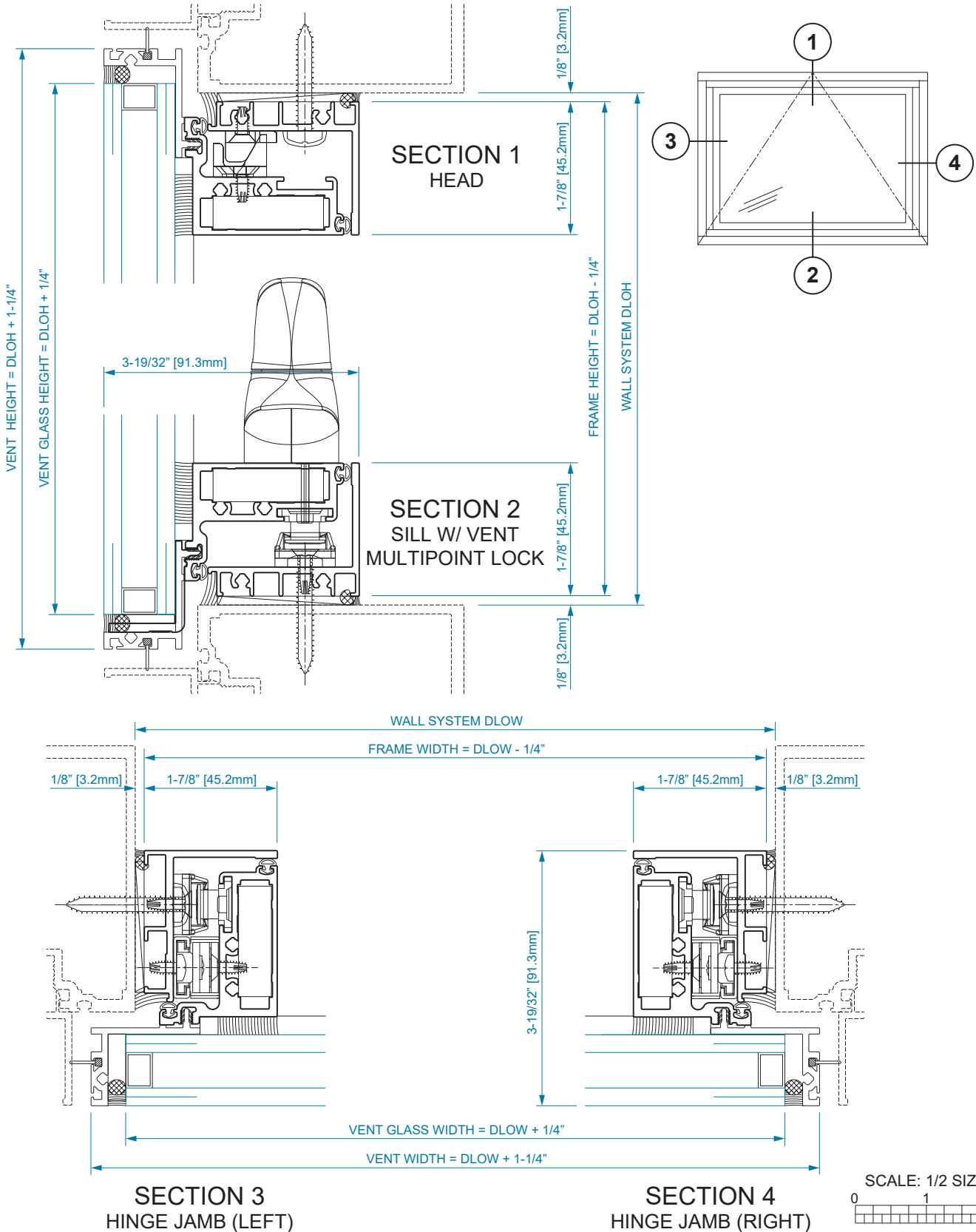
**SECTION 3
HINGE JAMB (LEFT)**

**SECTION 4
HINGE JAMB (RIGHT)**

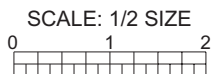
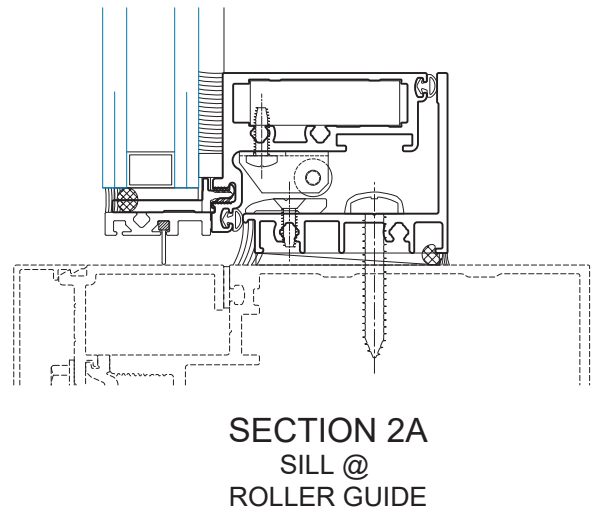
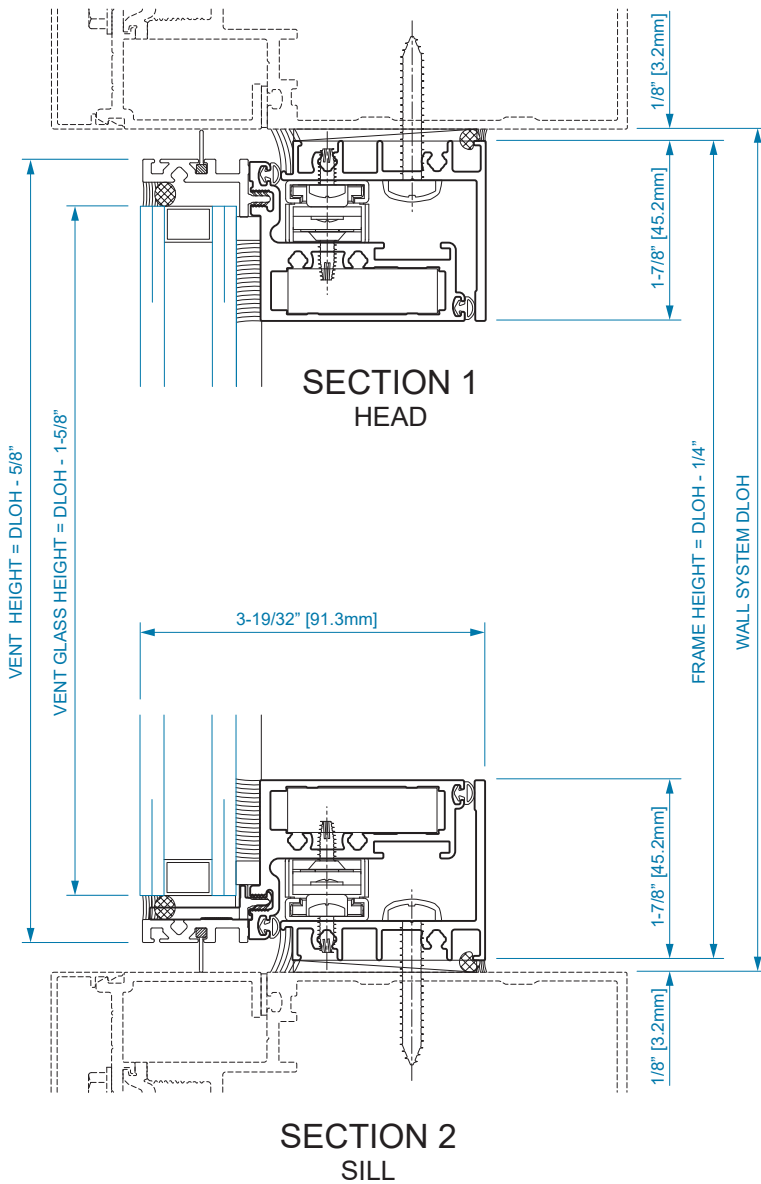
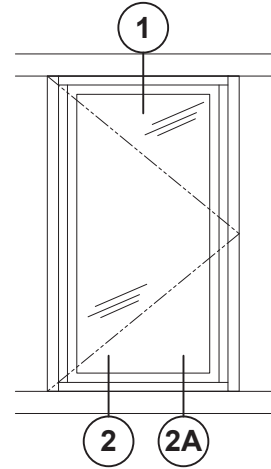


For additional details, visit www.ykkap.com.

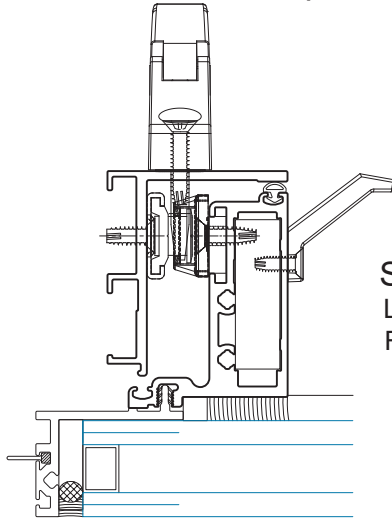
**4-SIDED SSG WINDOW FRAMING OPTIONS
PROJECT OUT (FOR YCW 750 SSG, AW-100)**



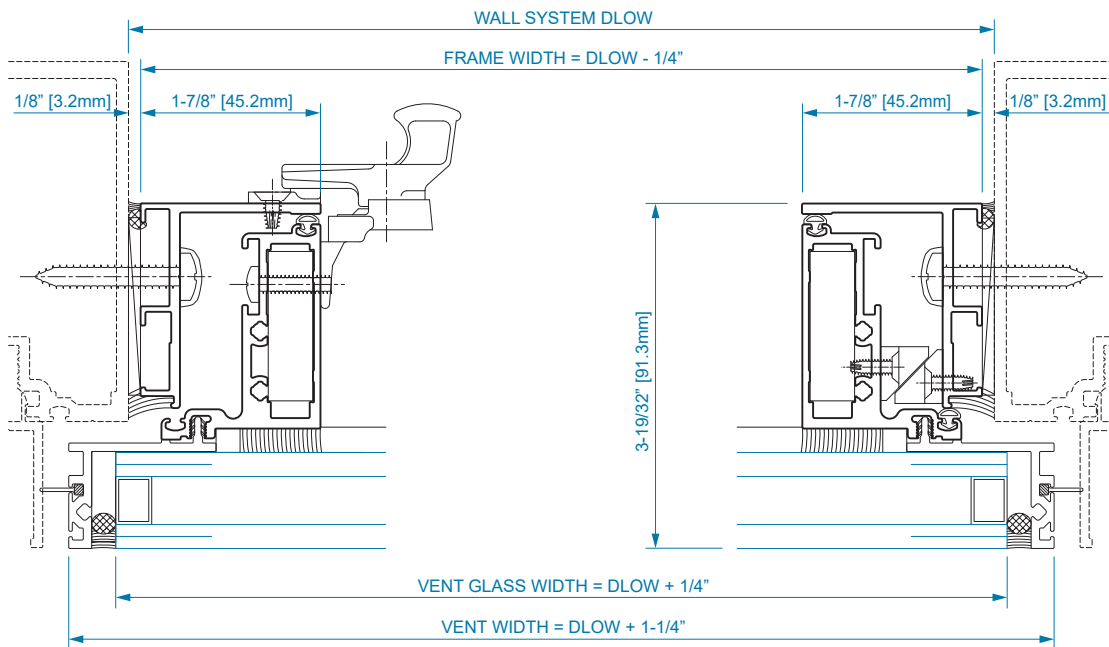
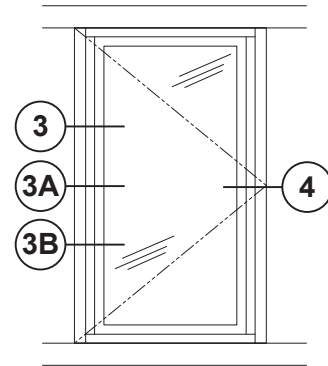
**2-SIDED SSG WINDOW FRAMING OPTIONS
CASEMENT OUTSWING (FOR YCW 750 SSG, CAPTURED HORIZONTALS)**



**2-SIDED SSG WINDOW FRAMING OPTIONS
CASEMENT OUTSWING (FOR YCW 750 SSG, CAPTURED HORIZONTALS)**

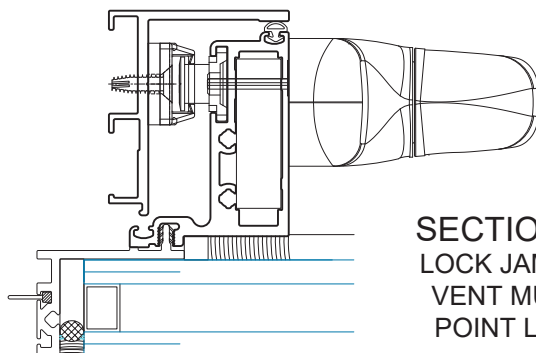


SECTION 3A
LOCK JAMB W/
FRAME MULTI-
POINT LOCK



SECTION 3
JAMB W/
CAM LOCK

SECTION 4
HINGE JAMB

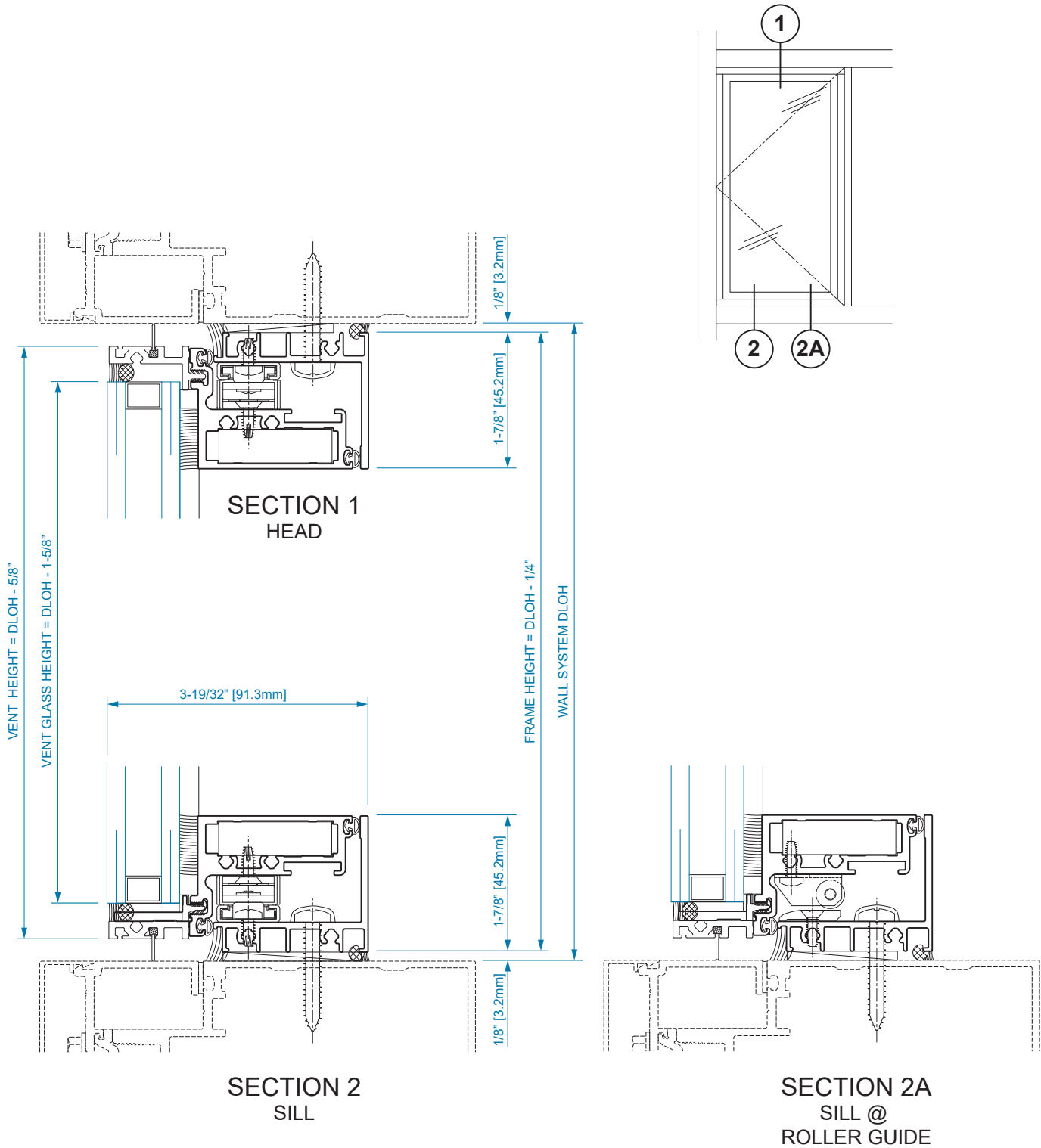


SECTION 3B
LOCK JAMB W/
VENT MULTI-
POINT LOCK

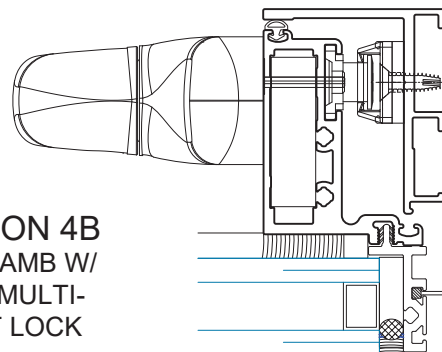
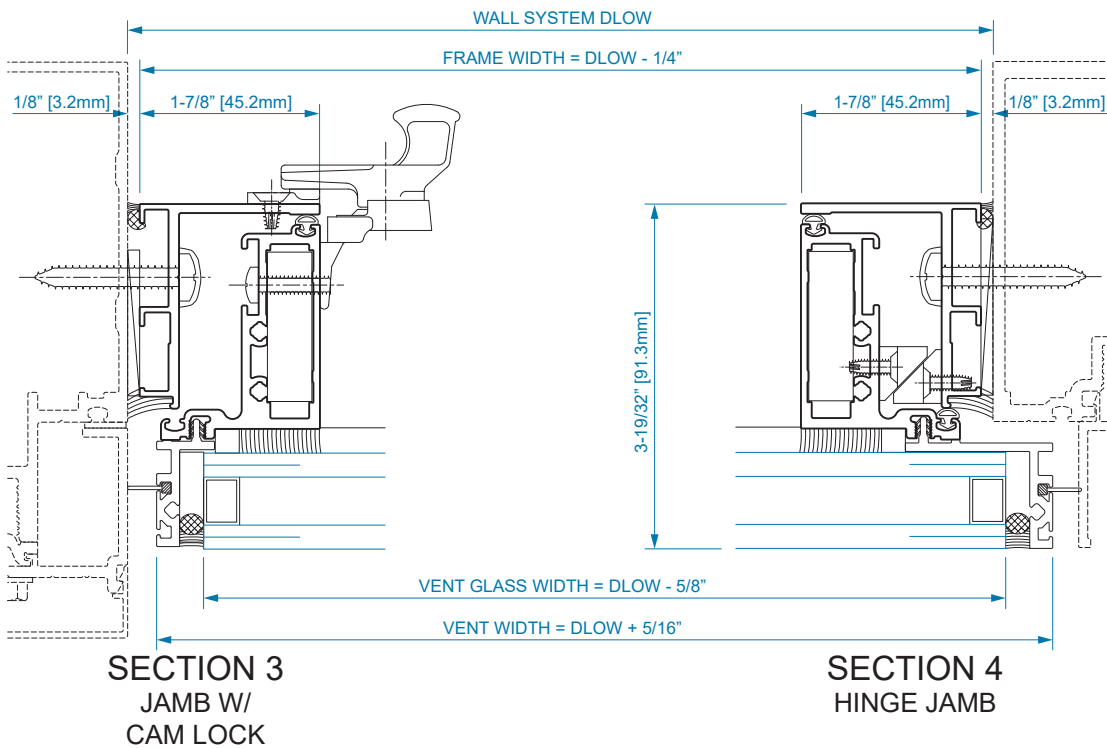
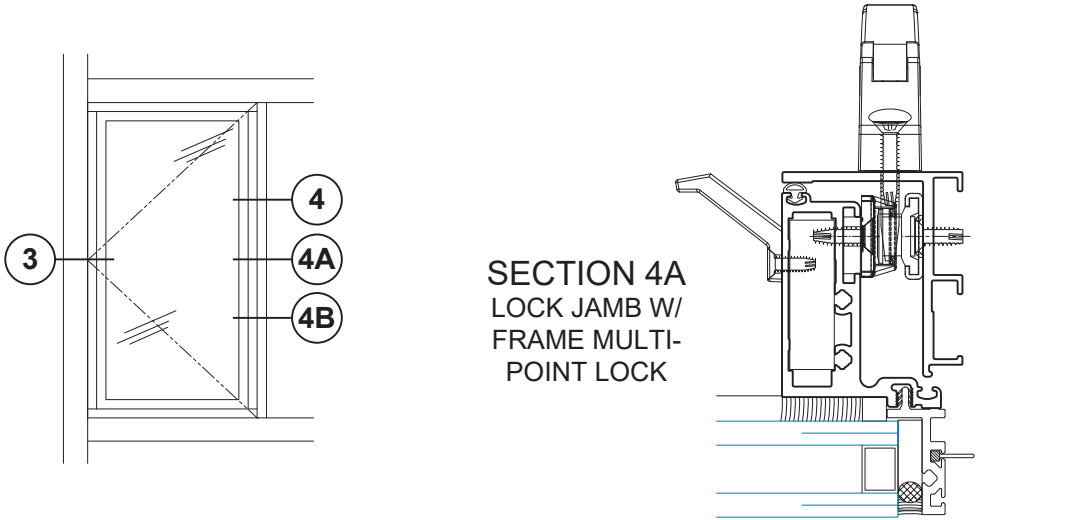
For additional details,
visit www.ykkap.com.



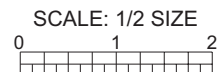
**1-SIDED SSG WINDOW FRAMING OPTIONS
CASEMENT OUTSWING (FOR YCW 750 SSG, CAPTURED VERTICAL)**



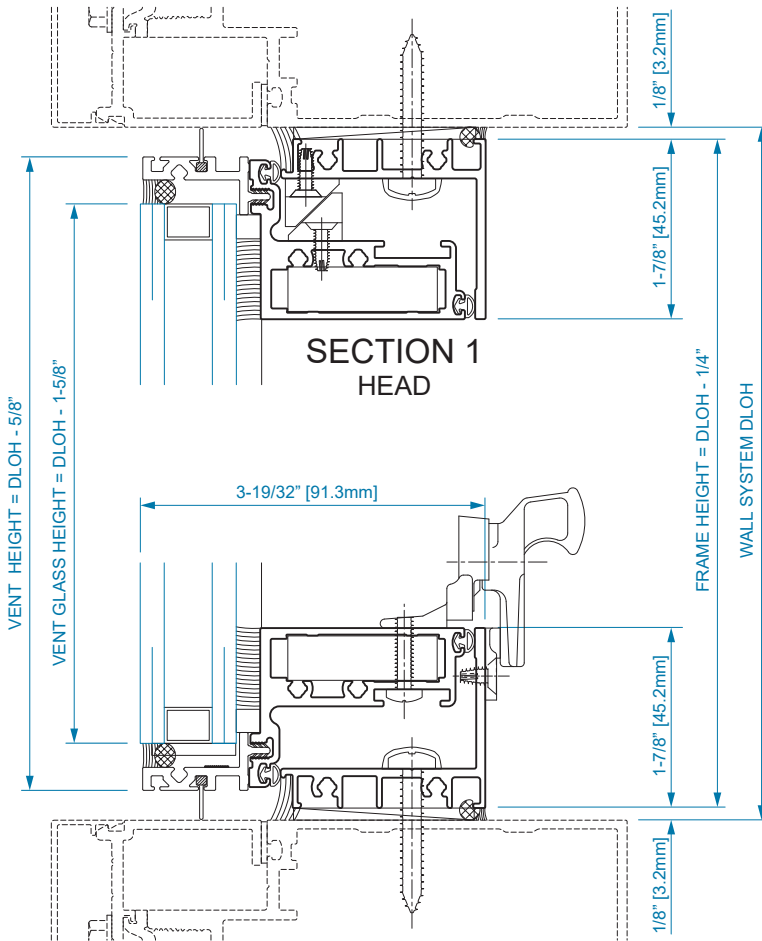
**1-SIDED SSG WINDOW FRAMING OPTIONS
CASEMENT OUTSWING (FOR YCW 750 SSG, CAPTURED VERTICAL)**



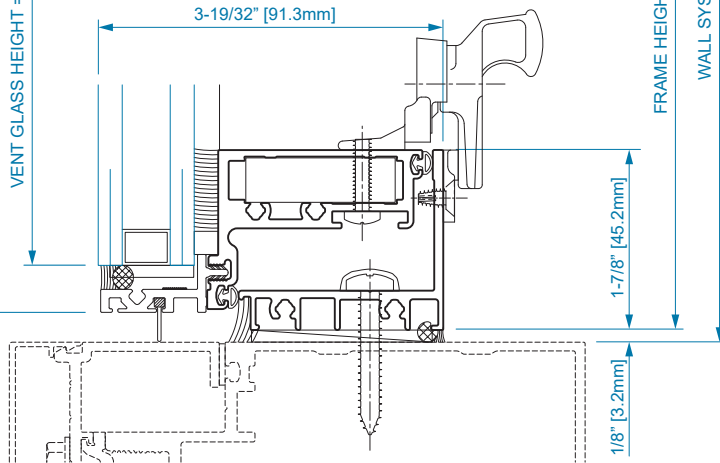
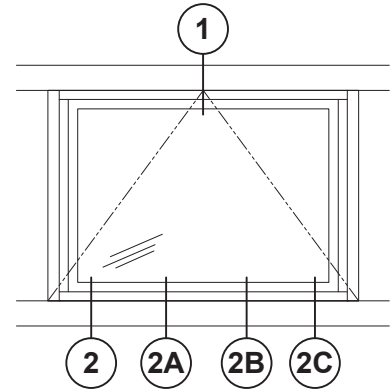
For additional details,
visit www.ykkap.com.



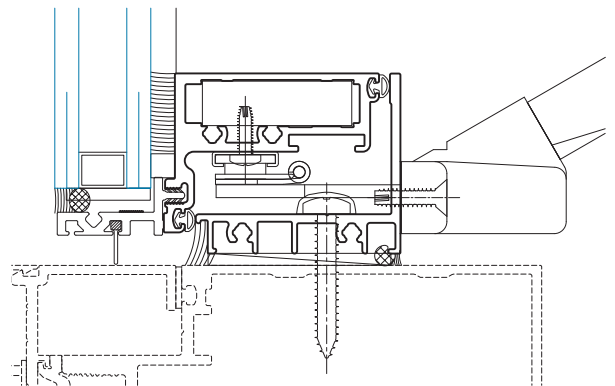
**2-SIDED SSG WINDOW FRAMING OPTIONS
PROJECT OUT (FOR YCW 750 SSG, CAPTURED HORIZONTALS)**



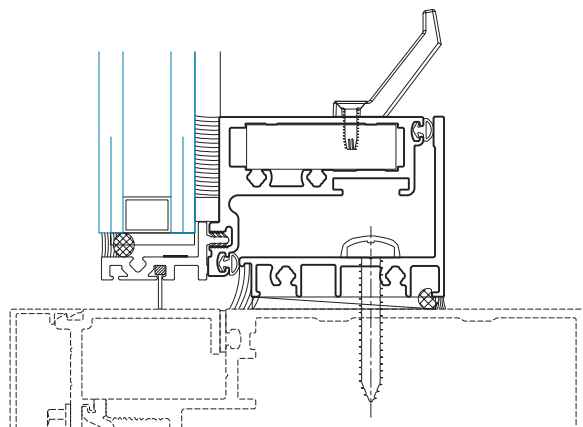
**SECTION 1
HEAD**



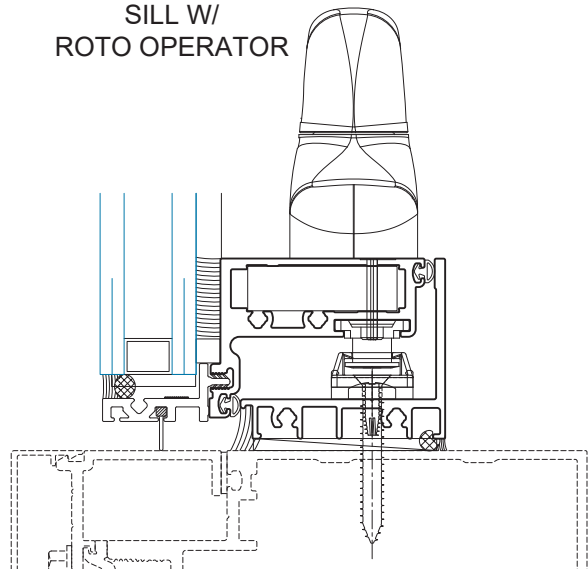
**SECTION 2
SILL W/
CAM LOCK**



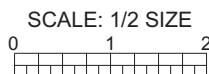
**SECTION 2B
SILL W/
ROTO OPERATOR**



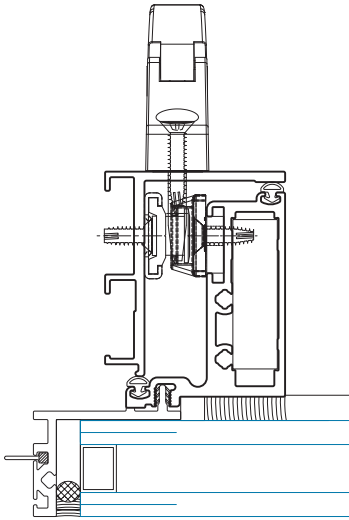
**SECTION 2A
SILL W/
PULL HANDLE**



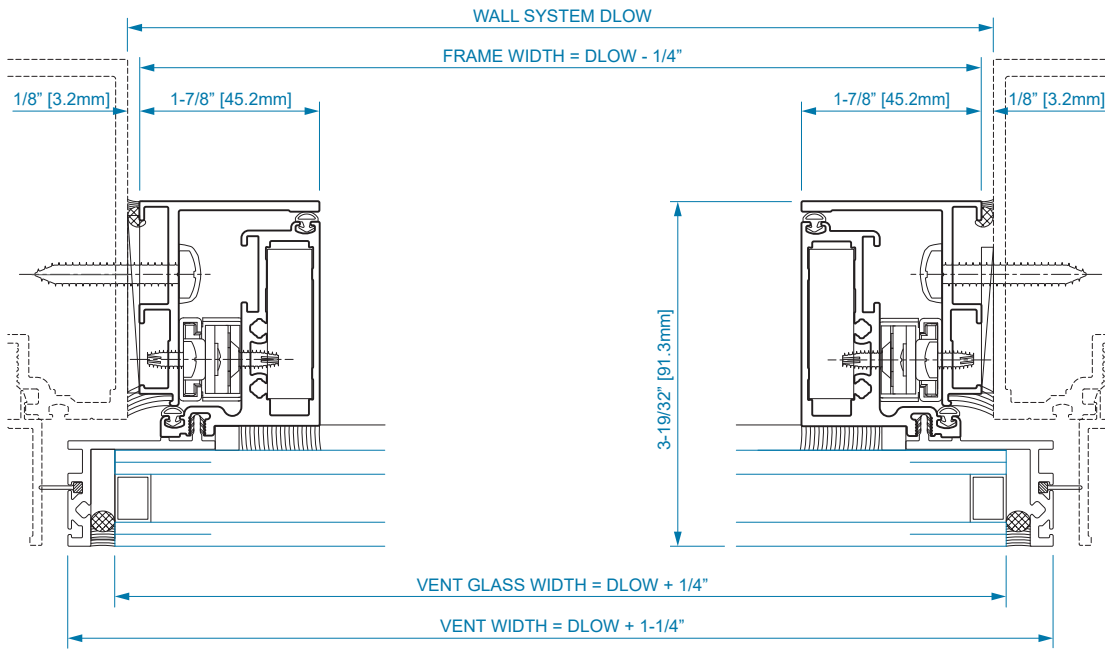
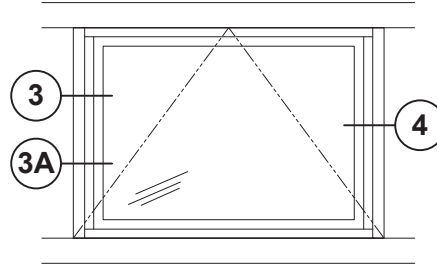
**SECTION 2C
SILL W/ VENT
MULTIPOINT LOCK**



**2-SIDED SSG WINDOW FRAMING OPTIONS
PROJECT OUT (FOR YCW 750 SSG, CAPTURED HORIZONTALS)**

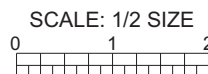


SECTION 3A
JAMB W/ FRAME
MULTI-POINT LOCK



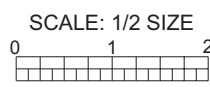
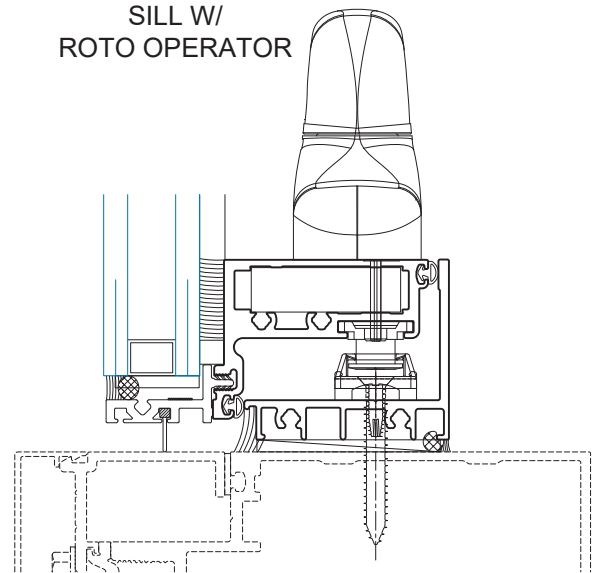
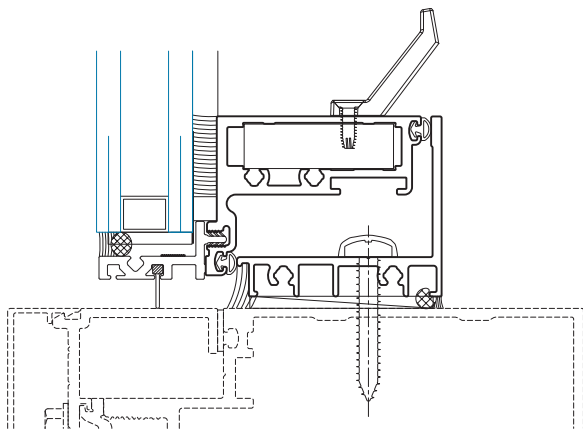
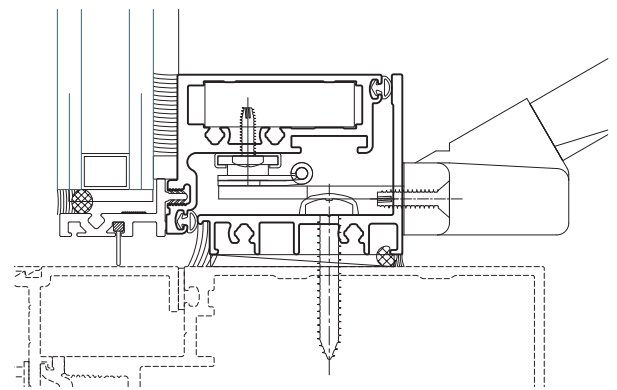
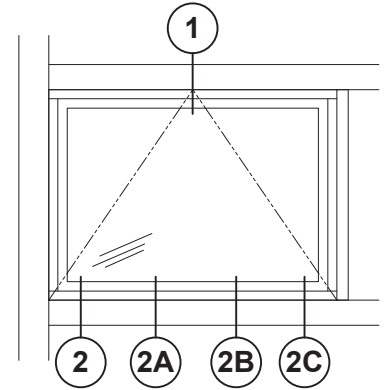
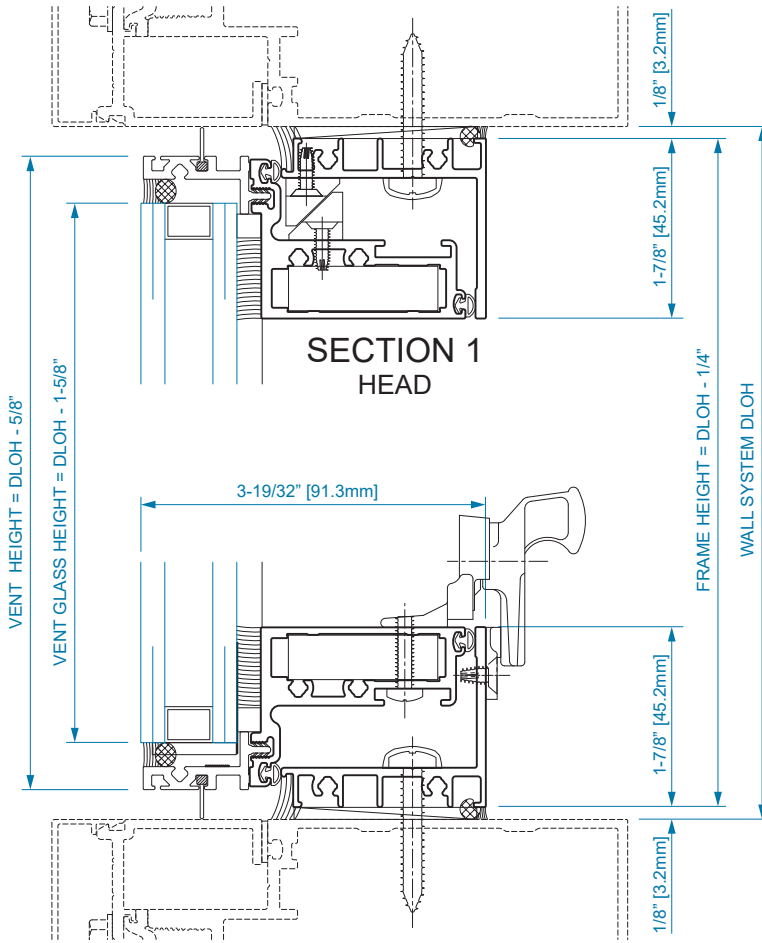
SECTION 3
HINGE JAMB (LEFT)

SECTION 4
HINGE JAMB (RIGHT)

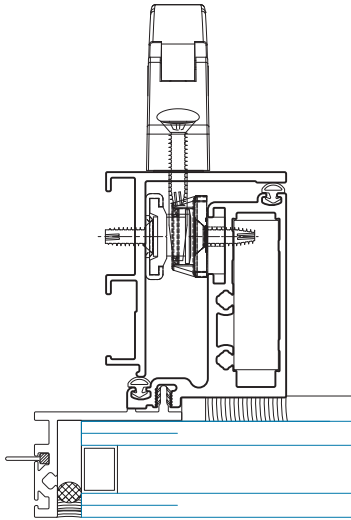


For additional details, visit www.ykkap.com.

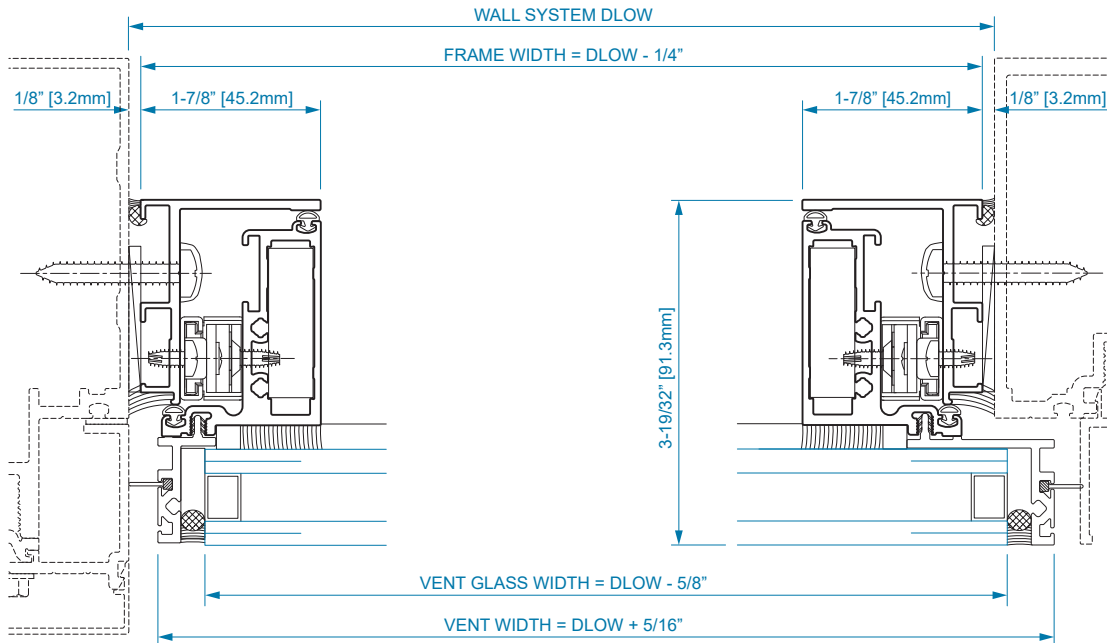
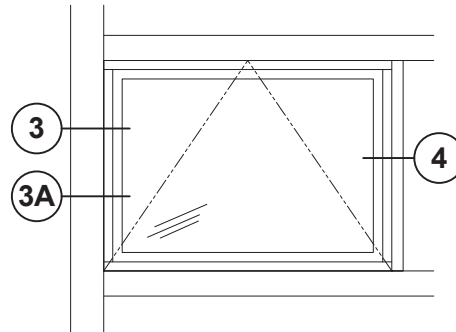
**1-SIDED SSG WINDOW FRAMING OPTIONS
PROJECT OUT (FOR YCW 750 SSG, CAPTURED VERTICALS)**



1-SIDED SSG WINDOW FRAMING OPTIONS
PROJECT OUT (FOR YCW 750 SSG, CAPTURED VERTICAL)

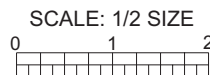


SECTION 3A
JAMB W/ FRAME
MULTI-POINT LOCK

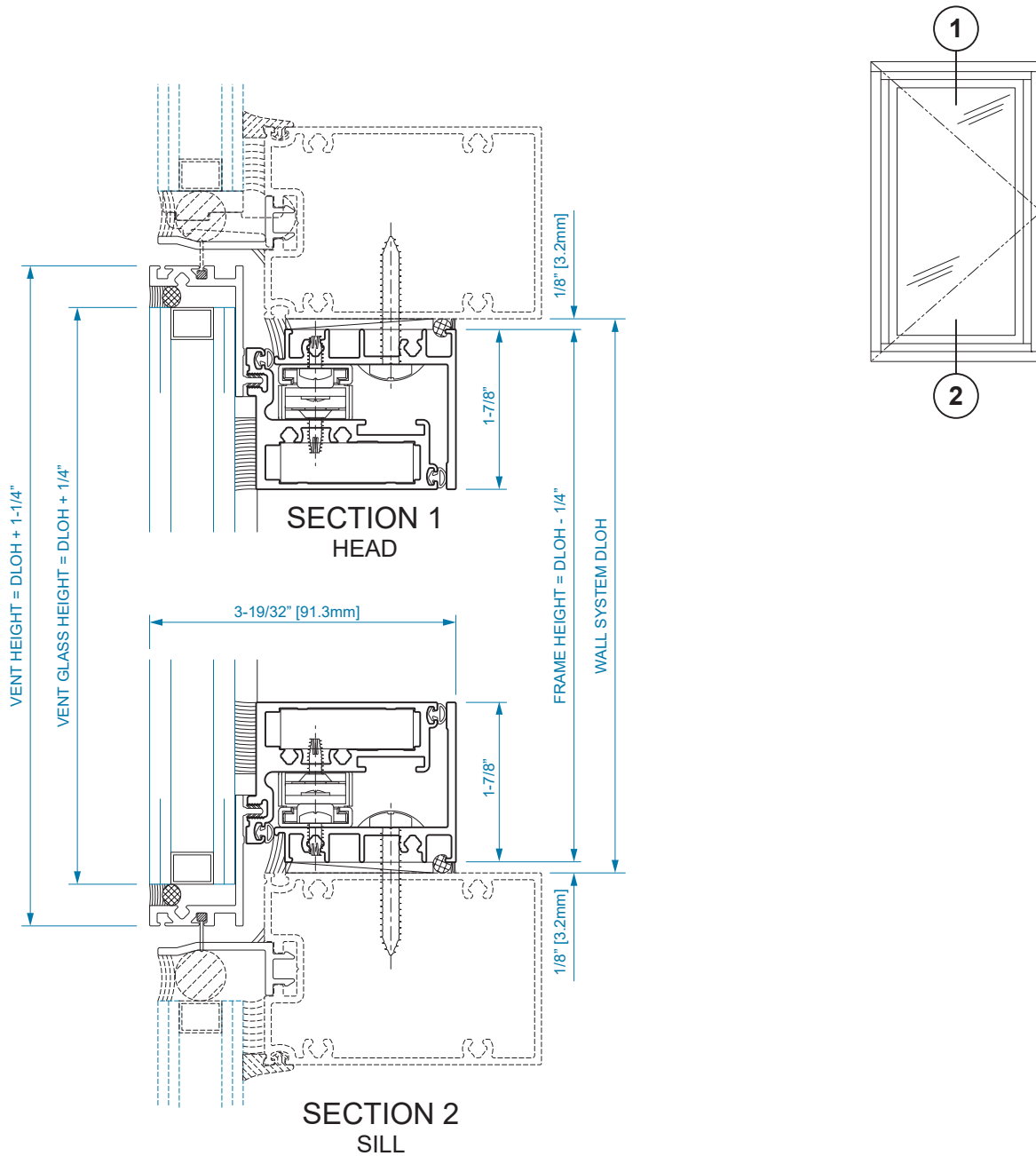


SECTION 3
HINGE JAMB (LEFT)

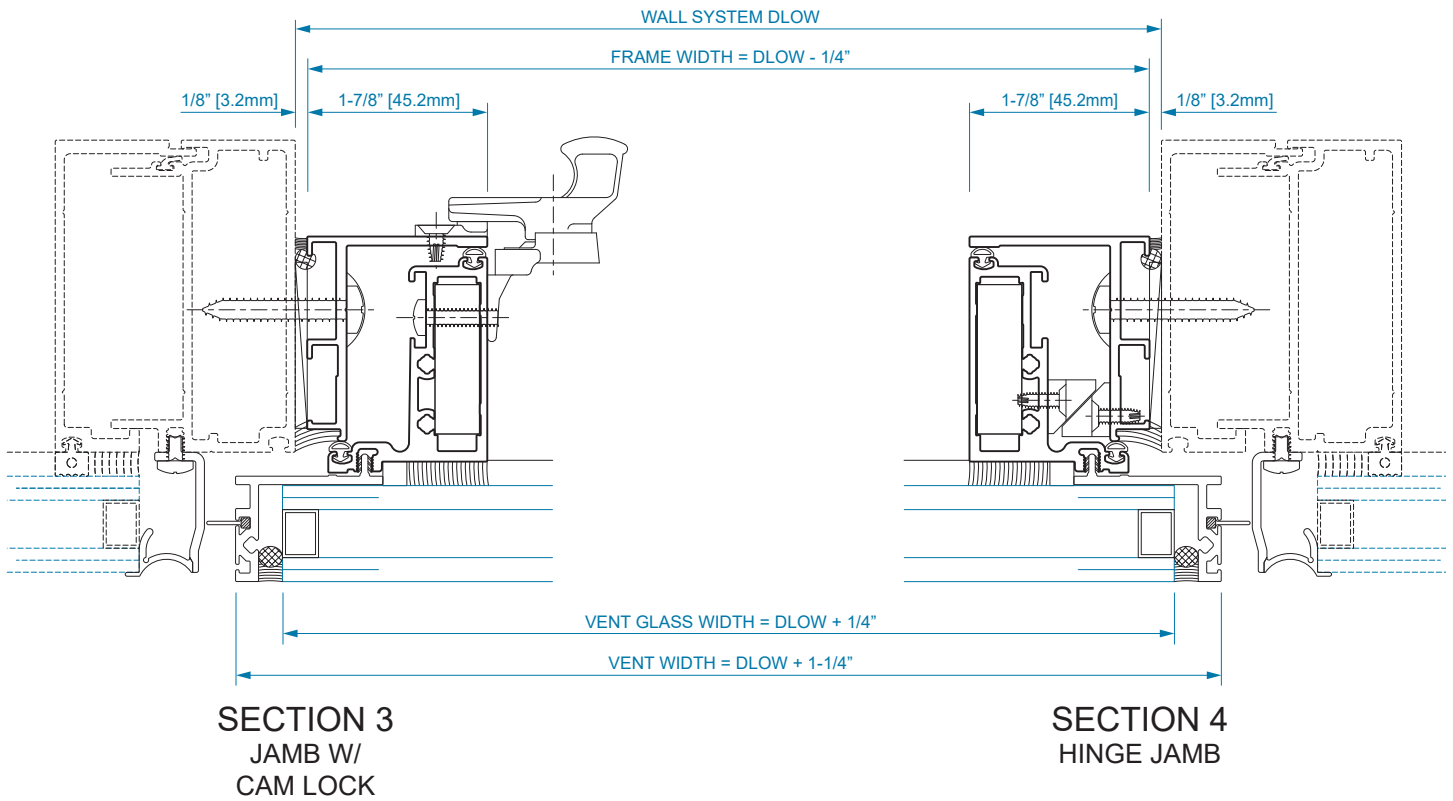
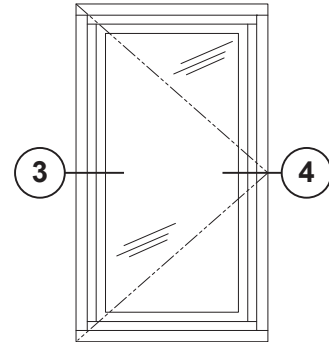
SECTION 4
HINGE JAMB (RIGHT)



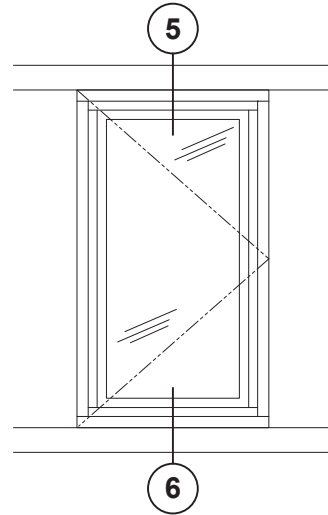
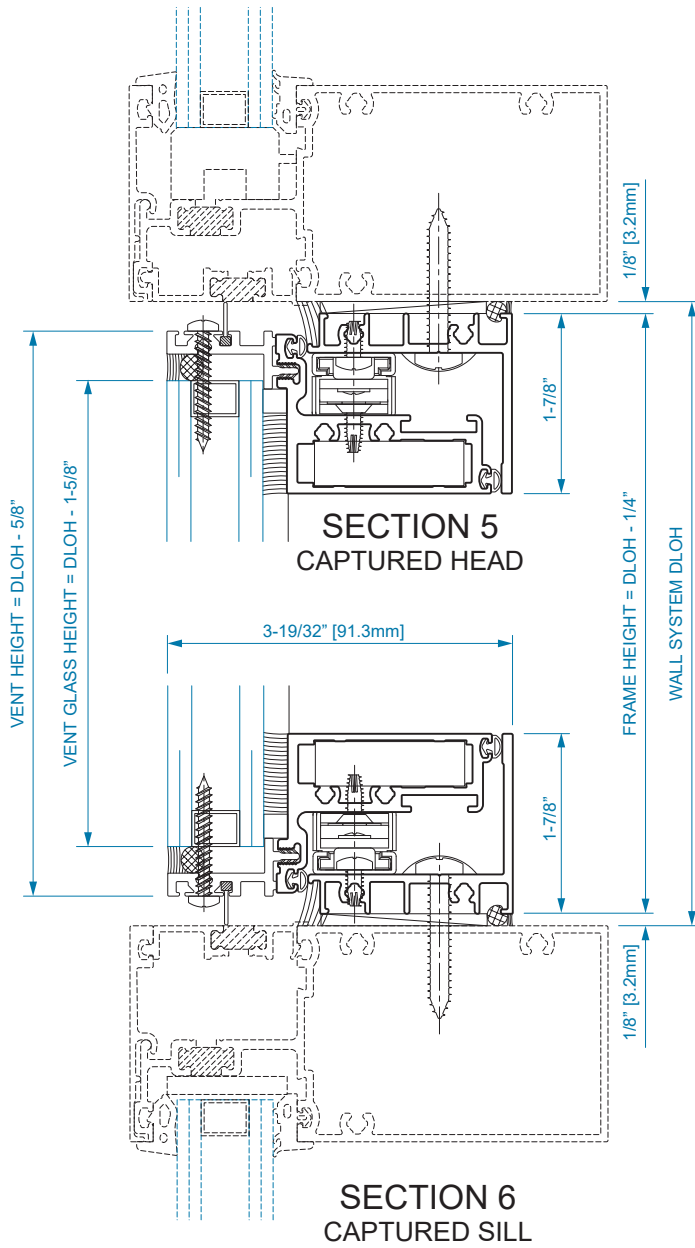
**4-SIDED SSG WINDOW FRAMING OPTIONS
CASEMENT OUT (YWW 50/60 TU)**



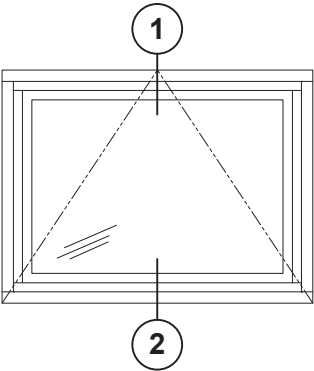
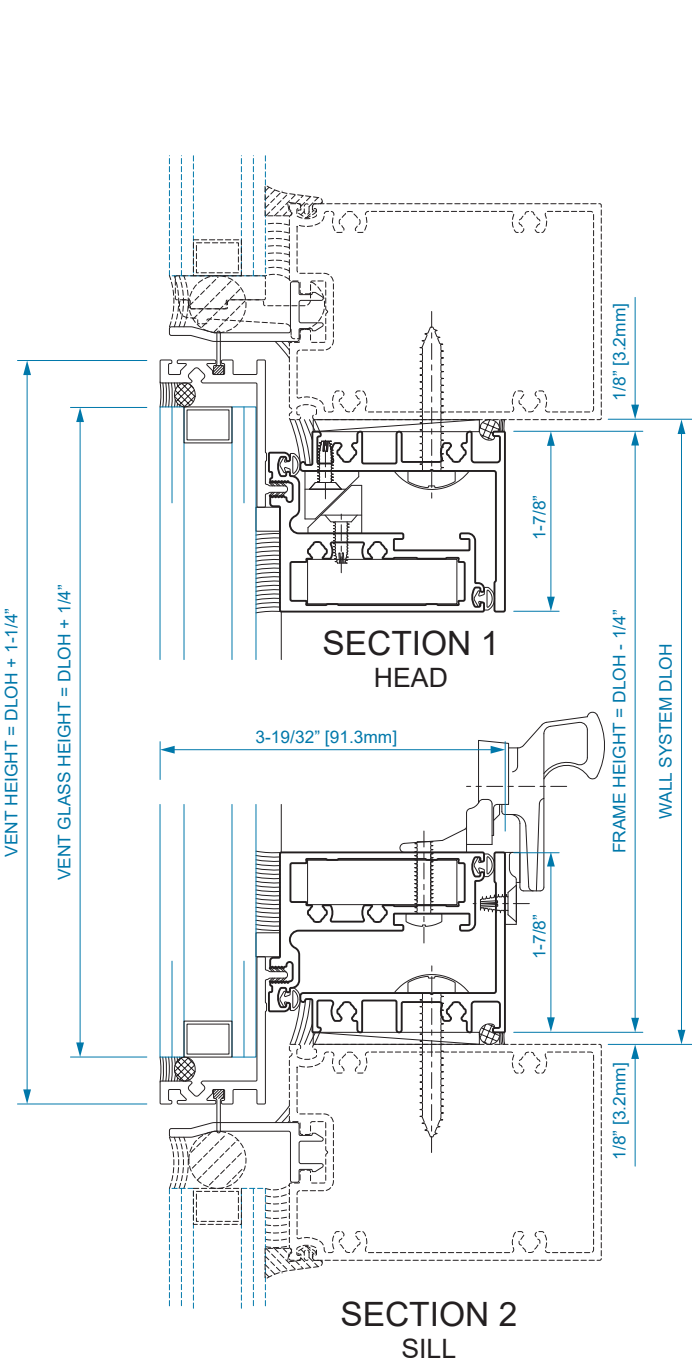
4-SIDED SSG WINDOW FRAMING OPTIONS
CASEMENT OUT (YWW 50/60 TU)



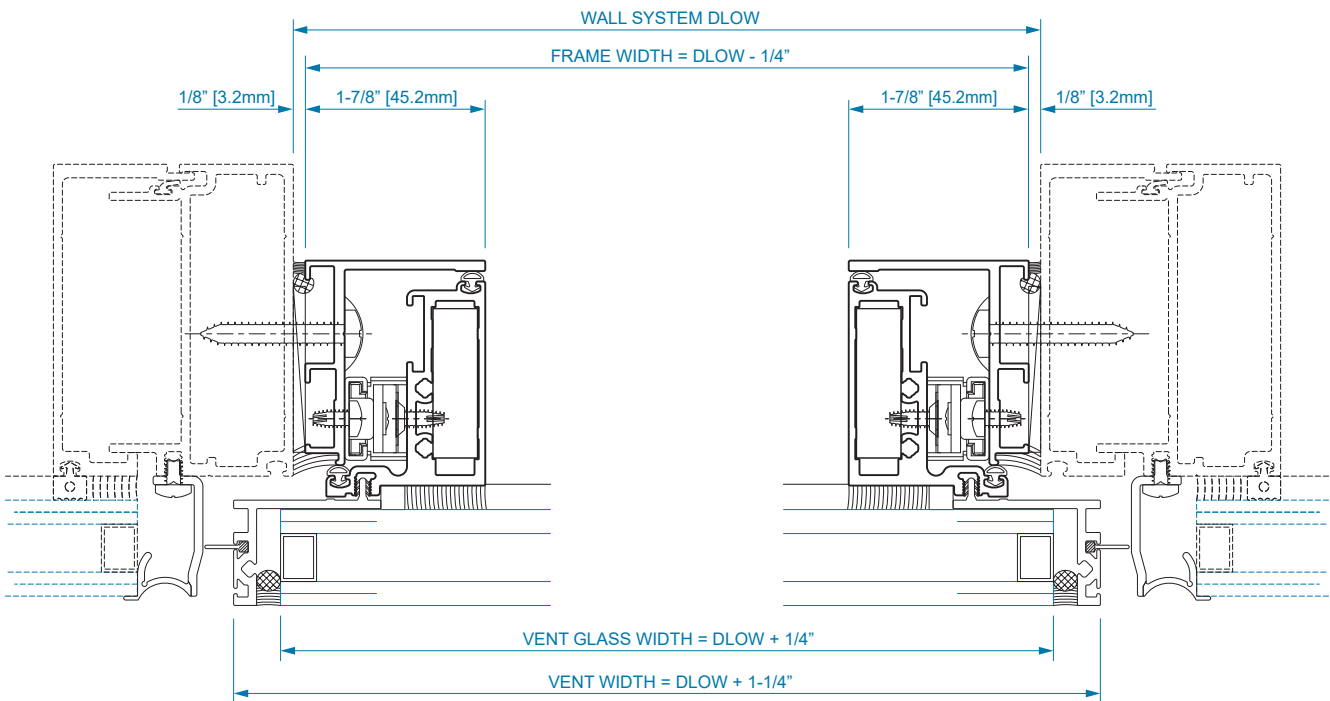
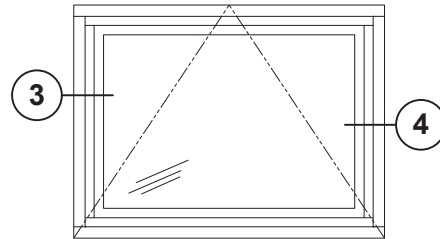
**2-SIDED SSG WINDOW FRAMING OPTIONS
CASEMENT OUT (YWW 50/60 TU)**



4-SIDED SSG WINDOW FRAMING OPTIONS
PROJECT OUT (YWW 50/60 TU)



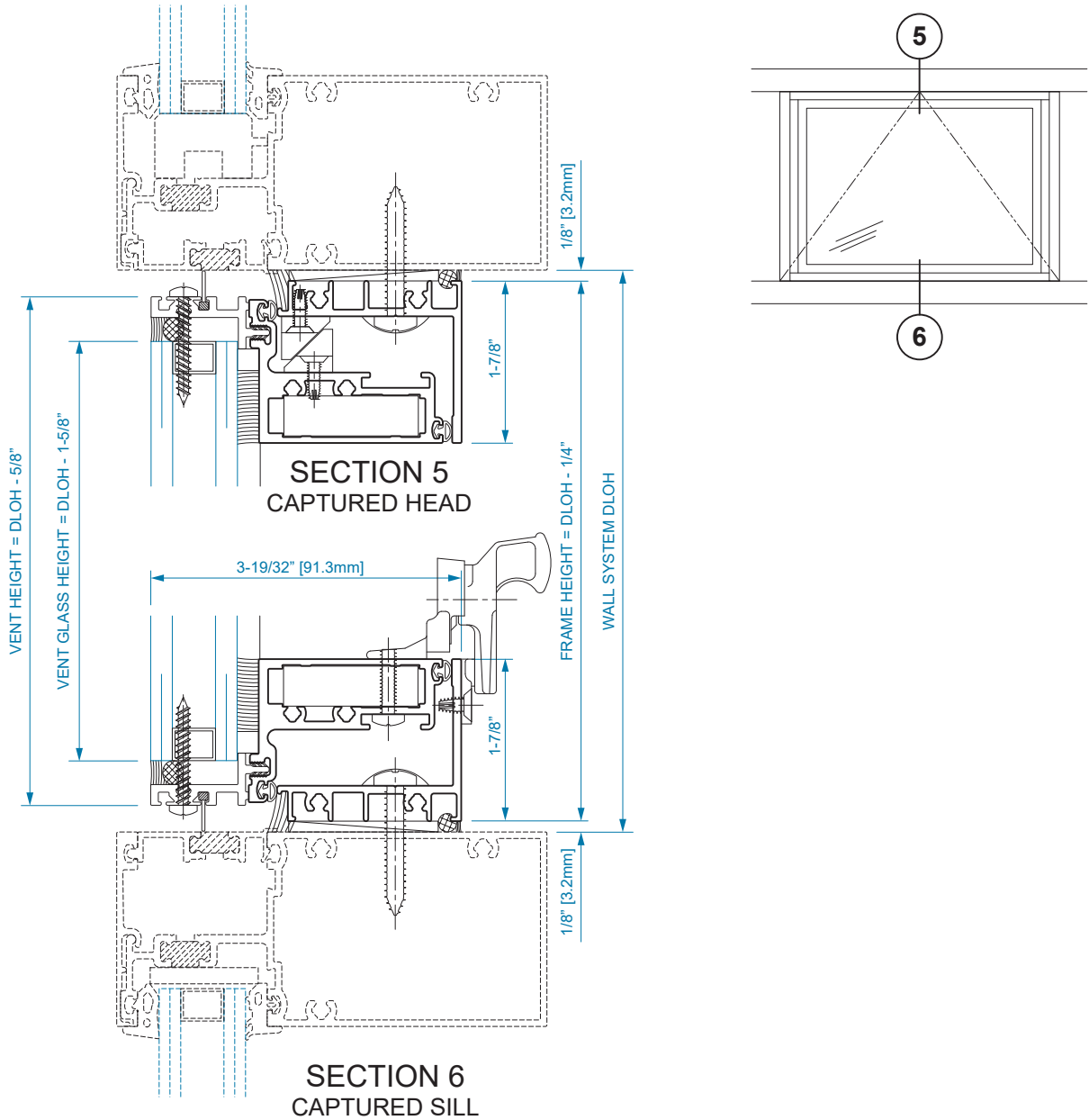
**4-SIDED SSG WINDOW FRAMING OPTIONS
PROJECT OUT (YWW 50/60 TU)**



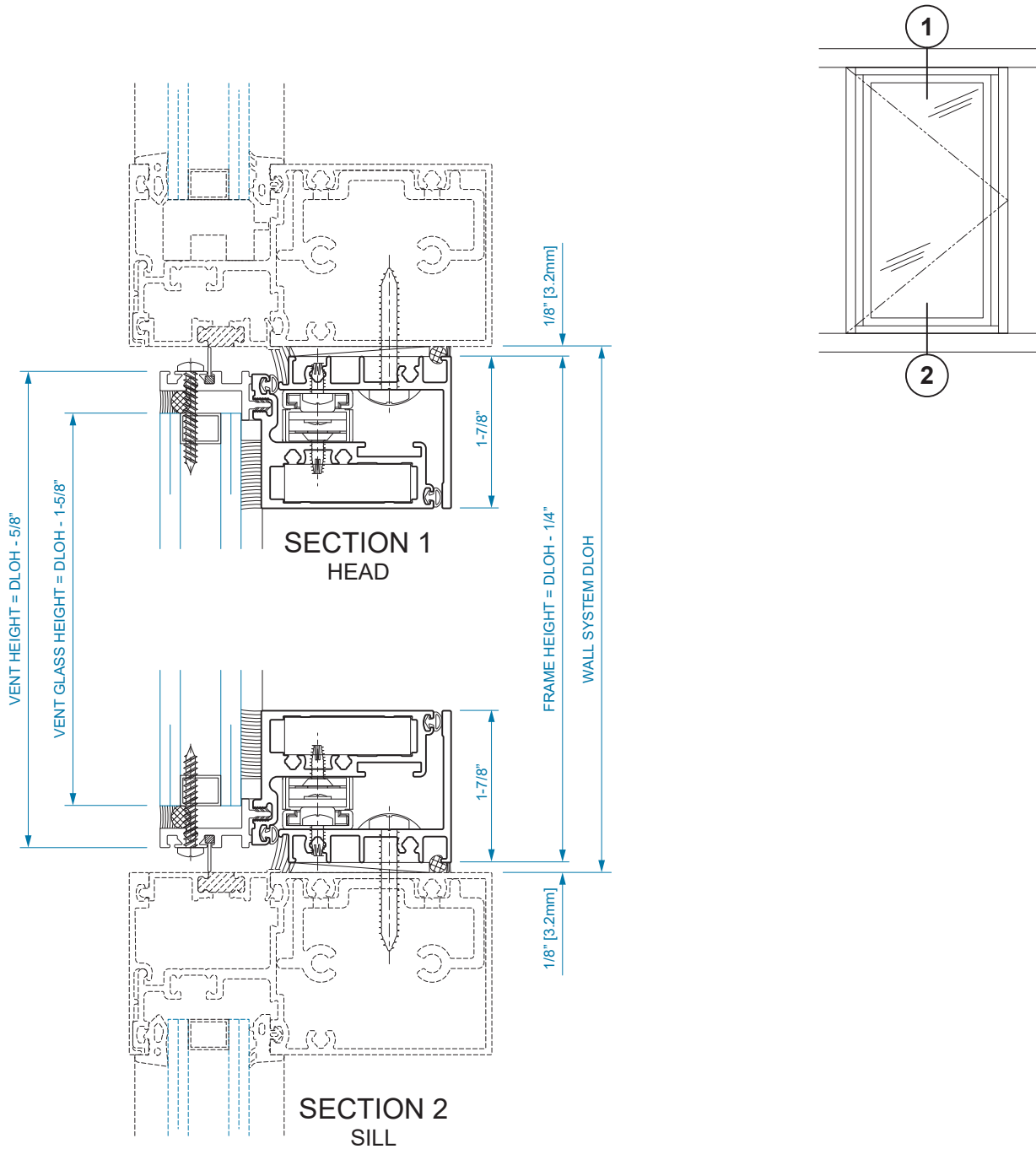
**SECTION 3
HINGE JAMB (LEFT)**

**SECTION 4
HINGE JAMB (RIGHT)**

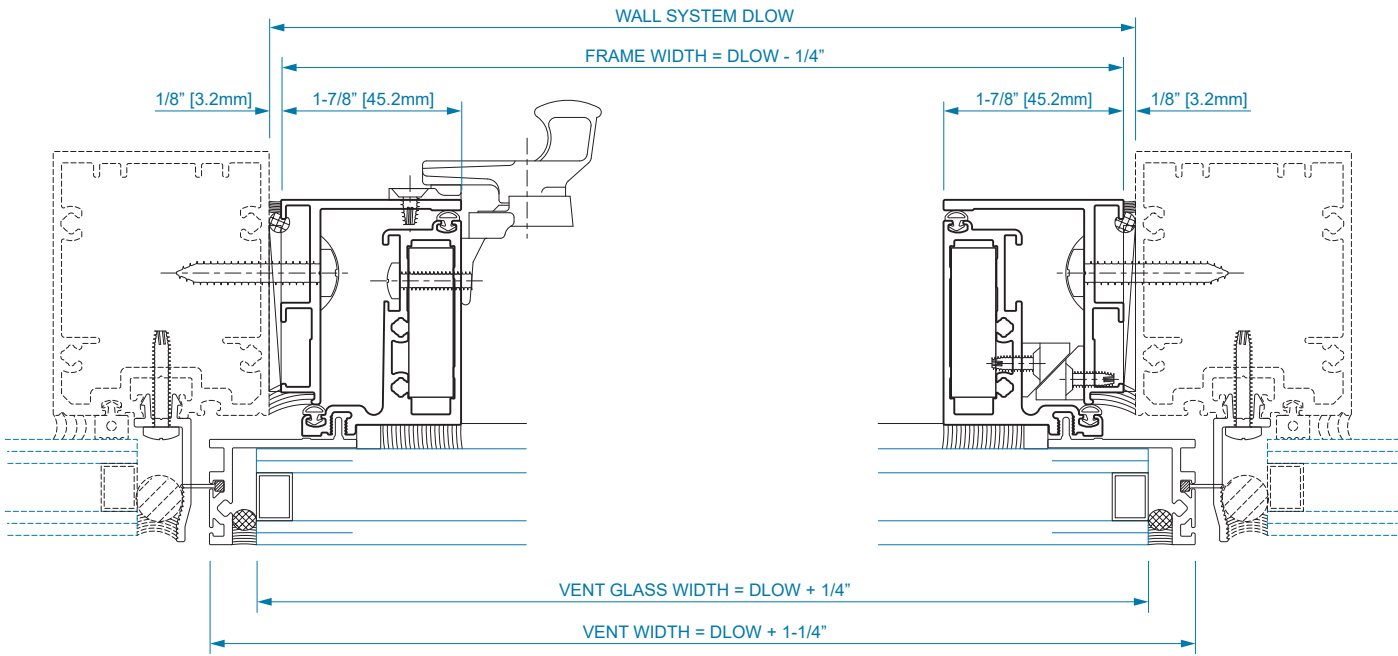
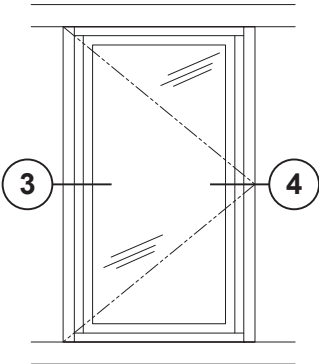
2-SIDED SSG WINDOW FRAMING OPTIONS
PROJECT OUT (YWW 50/60 TU)



**2-SIDED SSG WINDOW FRAMING OPTIONS
CASEMENT OUT (YWW 45 T/TU/FI)**



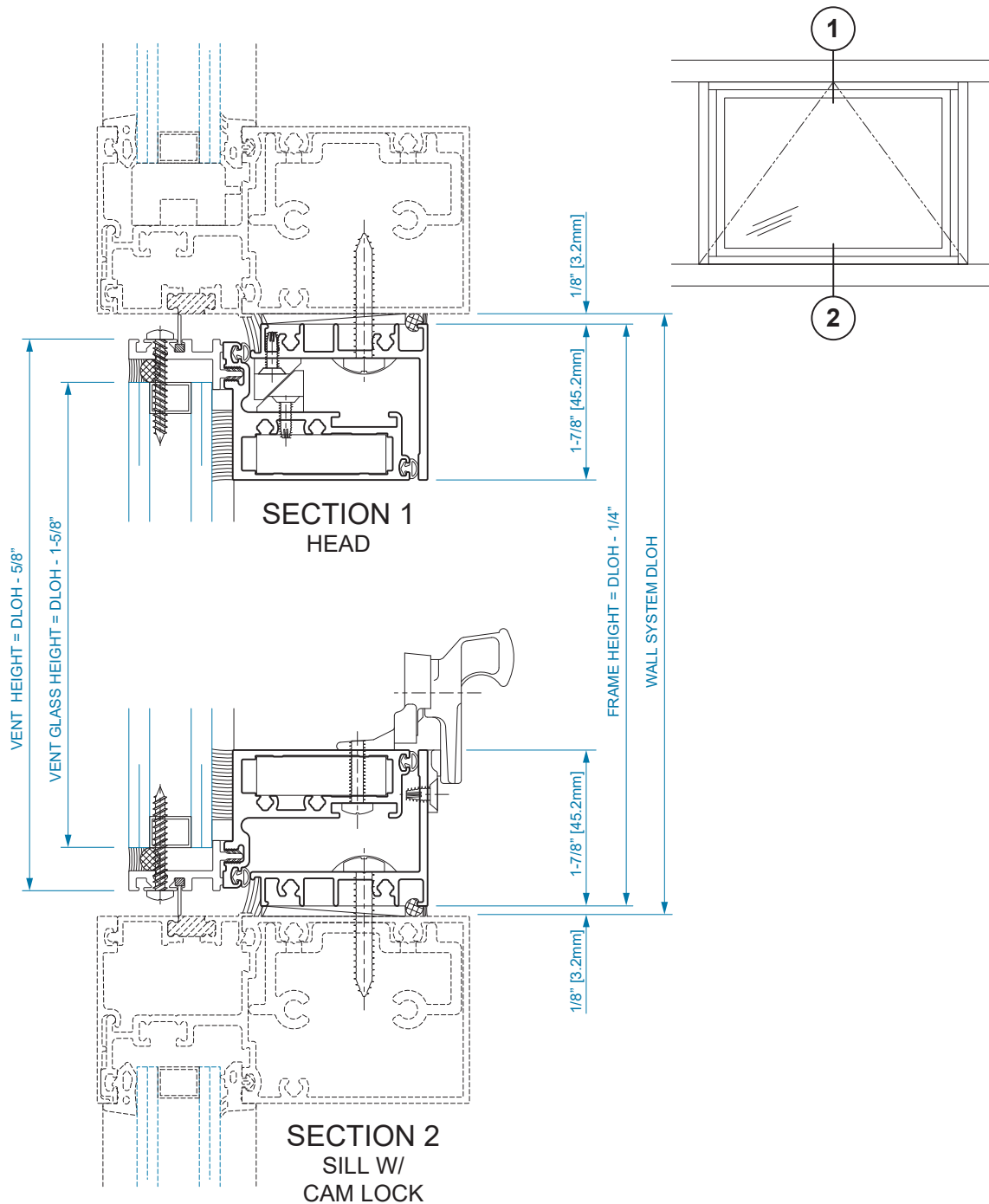
2-SIDED SSG WINDOW FRAMING OPTIONS
CASEMENT OUT (YWW 45 T/TU/FI)



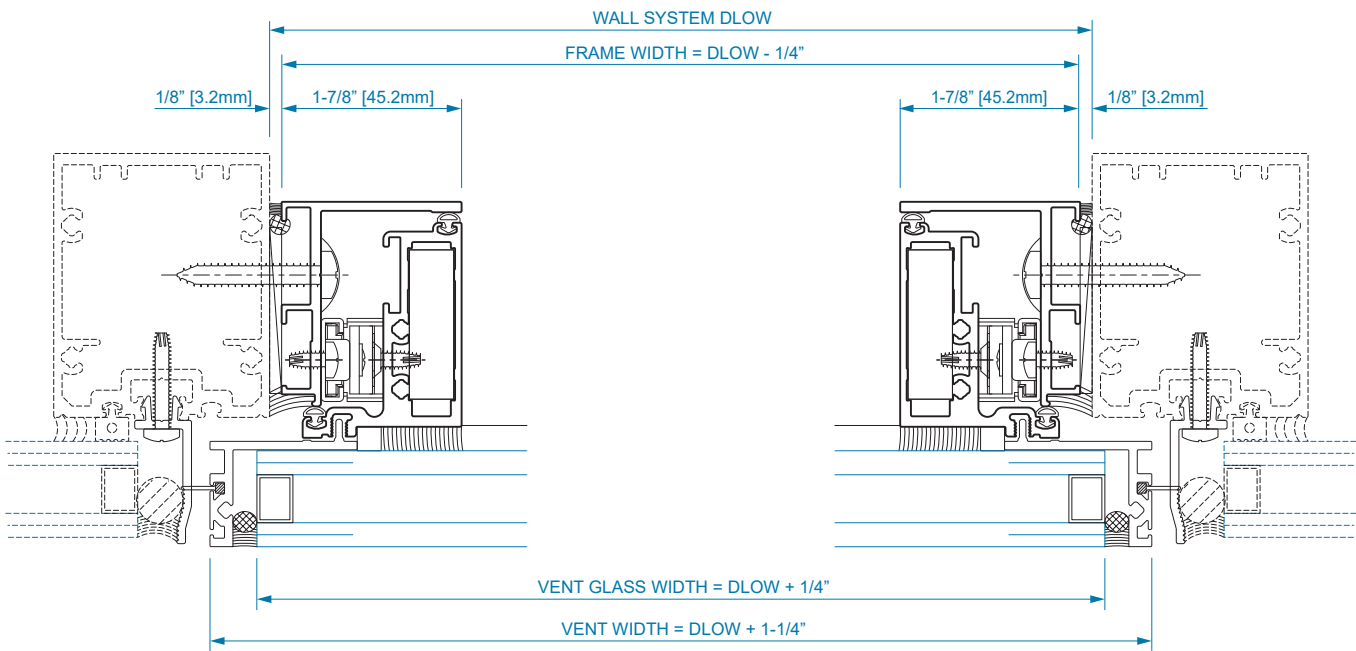
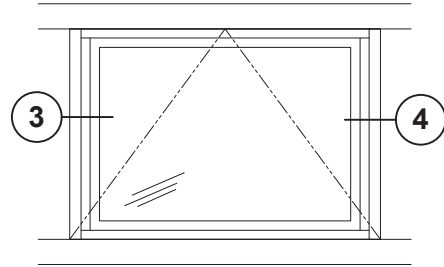
SECTION 3
JAMB W/
CAM LOCK

SECTION 4
HINGE JAMB

**2-SIDED SSG WINDOW FRAMING OPTIONS
PROJECT OUT (YWW 45 T/TU/FI)**



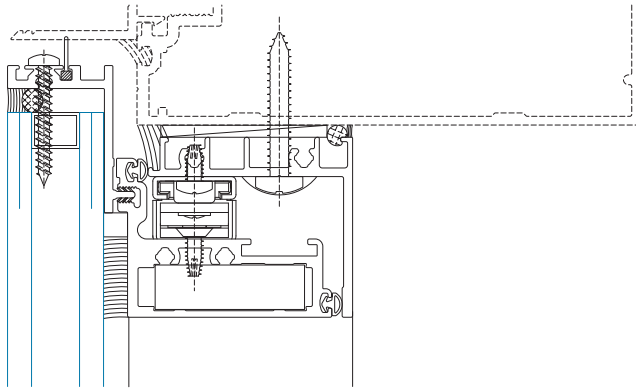
2-SIDED SSG WINDOW FRAMING OPTIONS
PROJECT OUT (YWW 45 T/TU/FI)



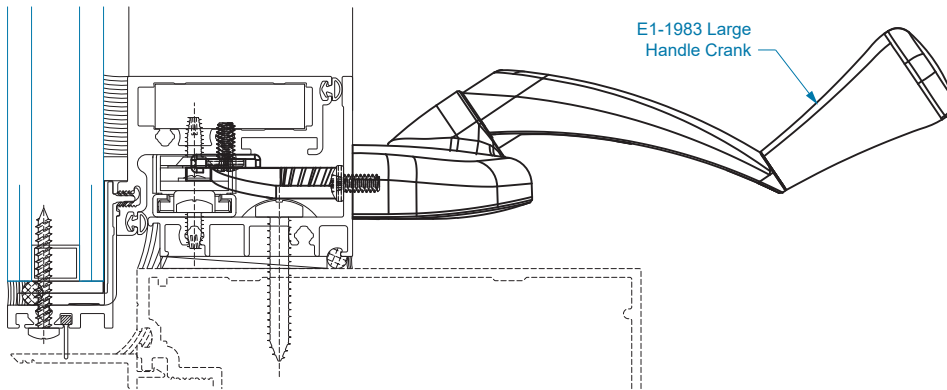
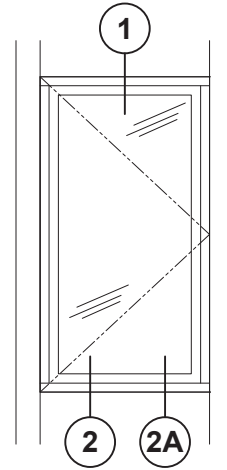
SECTION 3
HINGE JAMB (LEFT)

SECTION 4
HINGE JAMB (RIGHT)

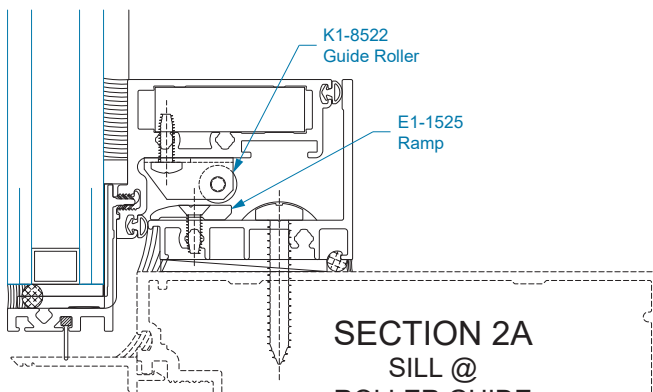
**ACCESSIBLE WINDOW HARDWARE OPTIONS FOR
CASEMENT OUTSWING (CAPTURED VERTICALS)**



**SECTION 1
HEAD**

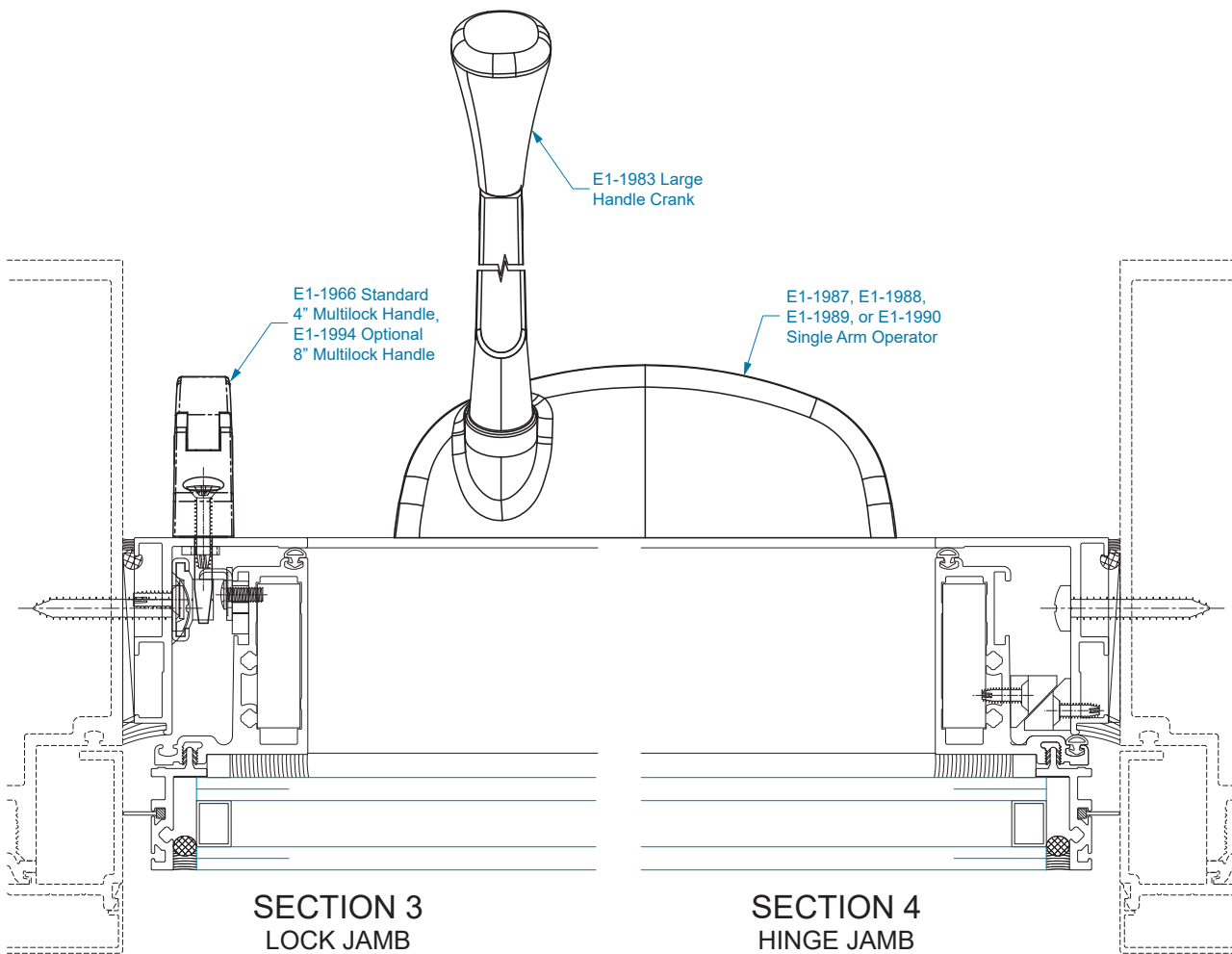
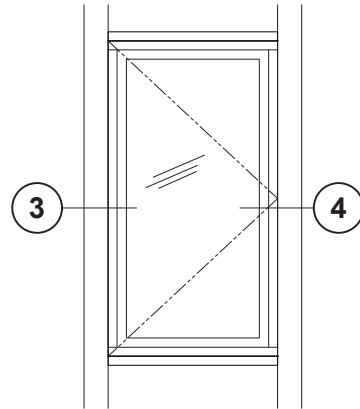


**SECTION 2
SILL**

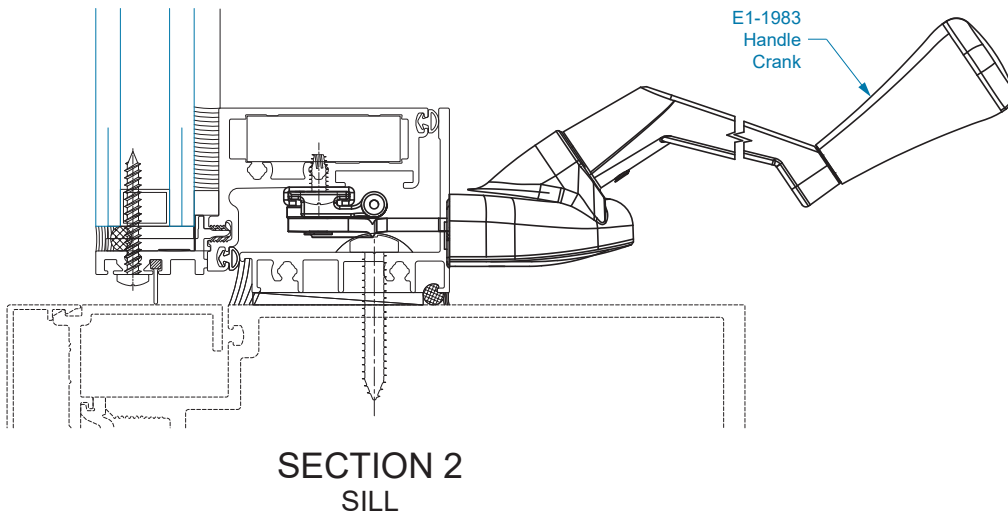
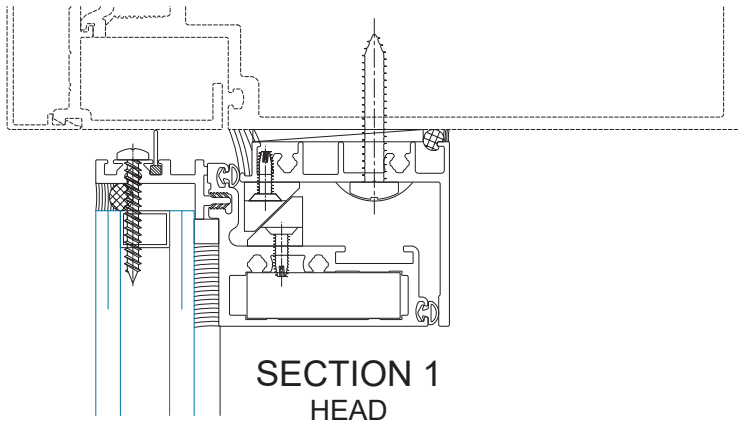
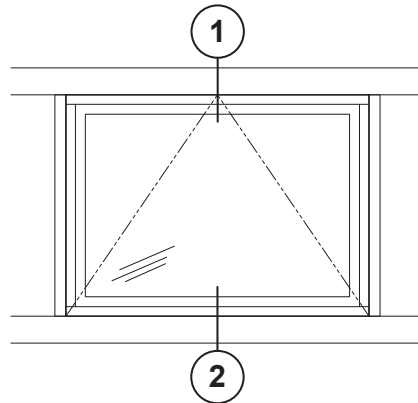


**SECTION 2A
SILL @
ROLLER GUIDE**

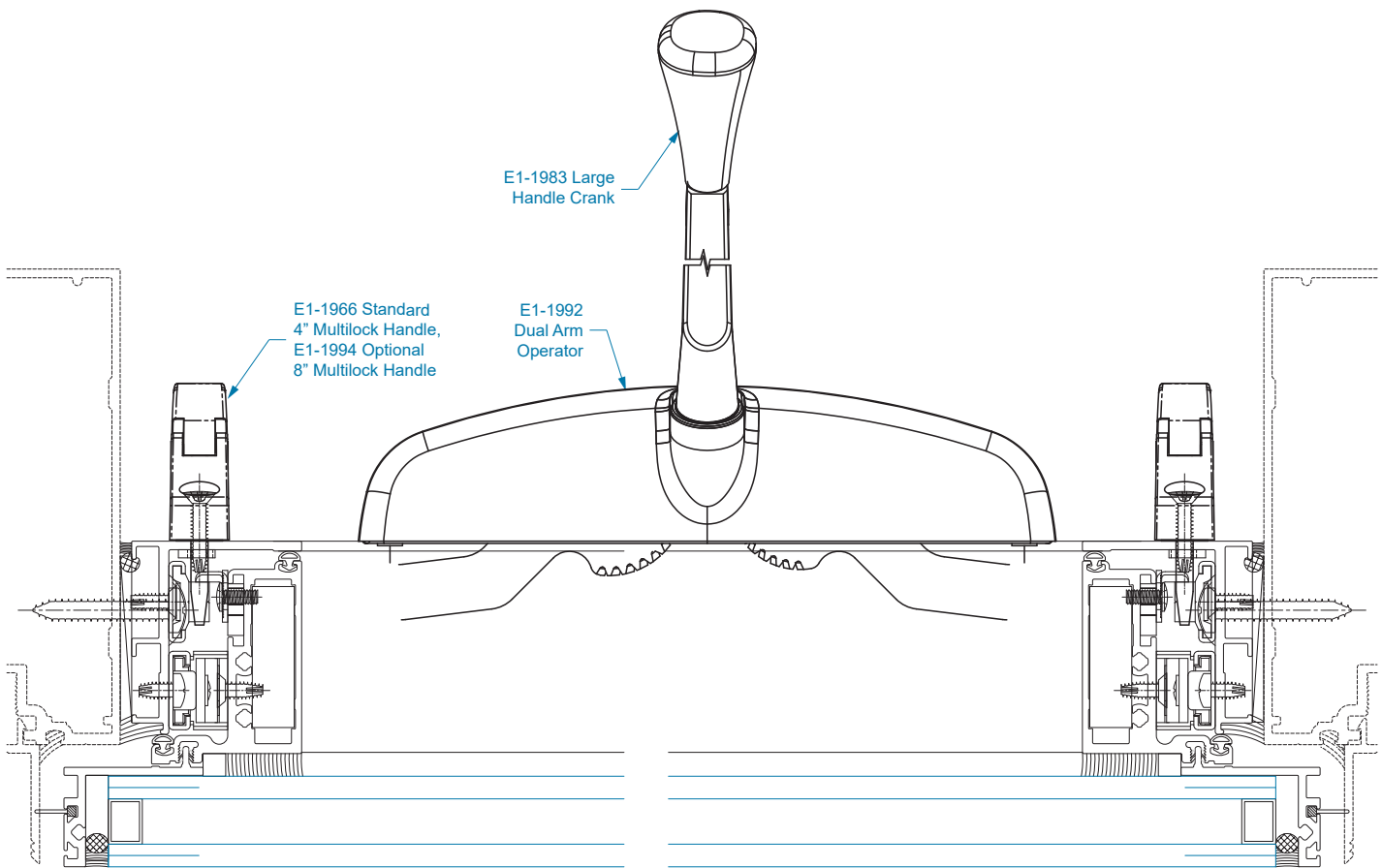
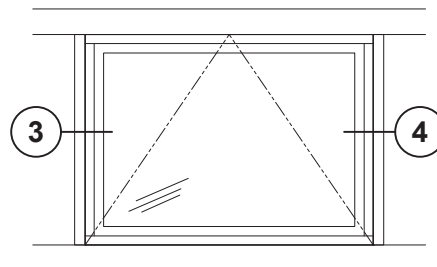
ACCESSIBLE WINDOW HARDWARE OPTIONS FOR CASEMENT OUTSWING (CAPTURED VERTICALS, CONTINUED)



**ACCESSIBLE WINDOW HARDWARE OPTIONS FOR
PROJECT OUT (CAPTURED HORIZONTALS)**

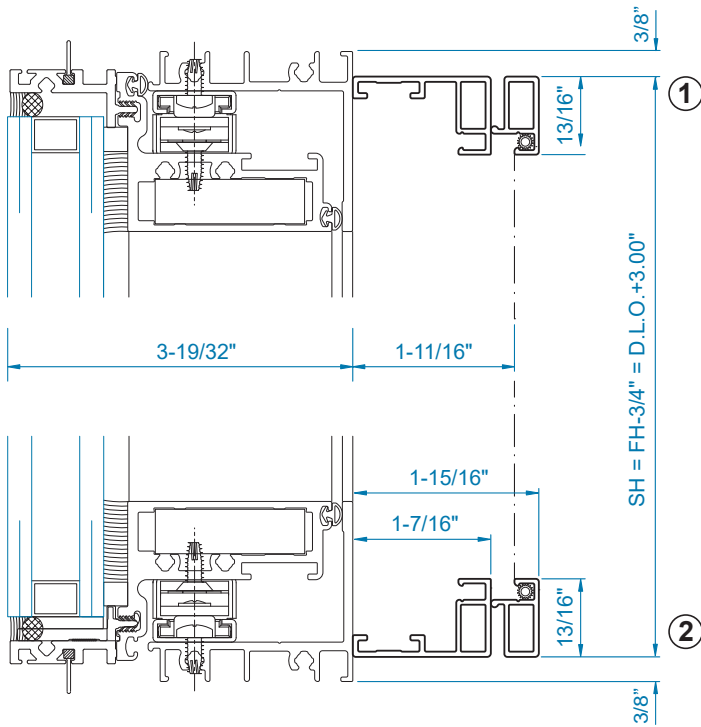


ACCESSIBLE WINDOW HARDWARE OPTIONS FOR
PROJECT OUT (CAPTURED HORIZONTALS, CONTINUED)

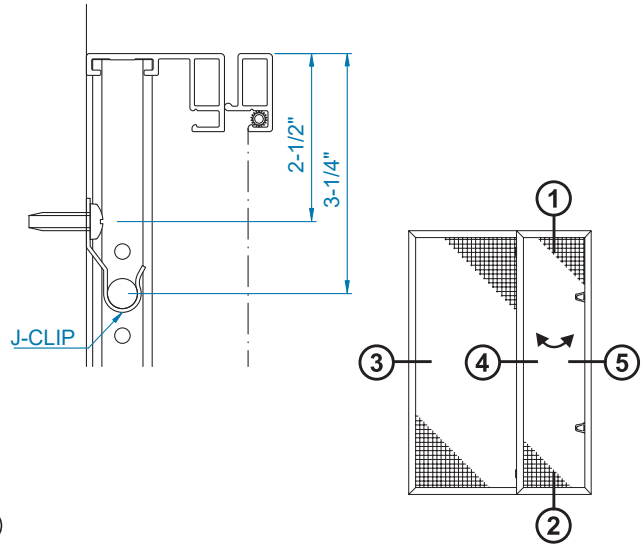


SECTION 3
HINGE JAMB
LEFT

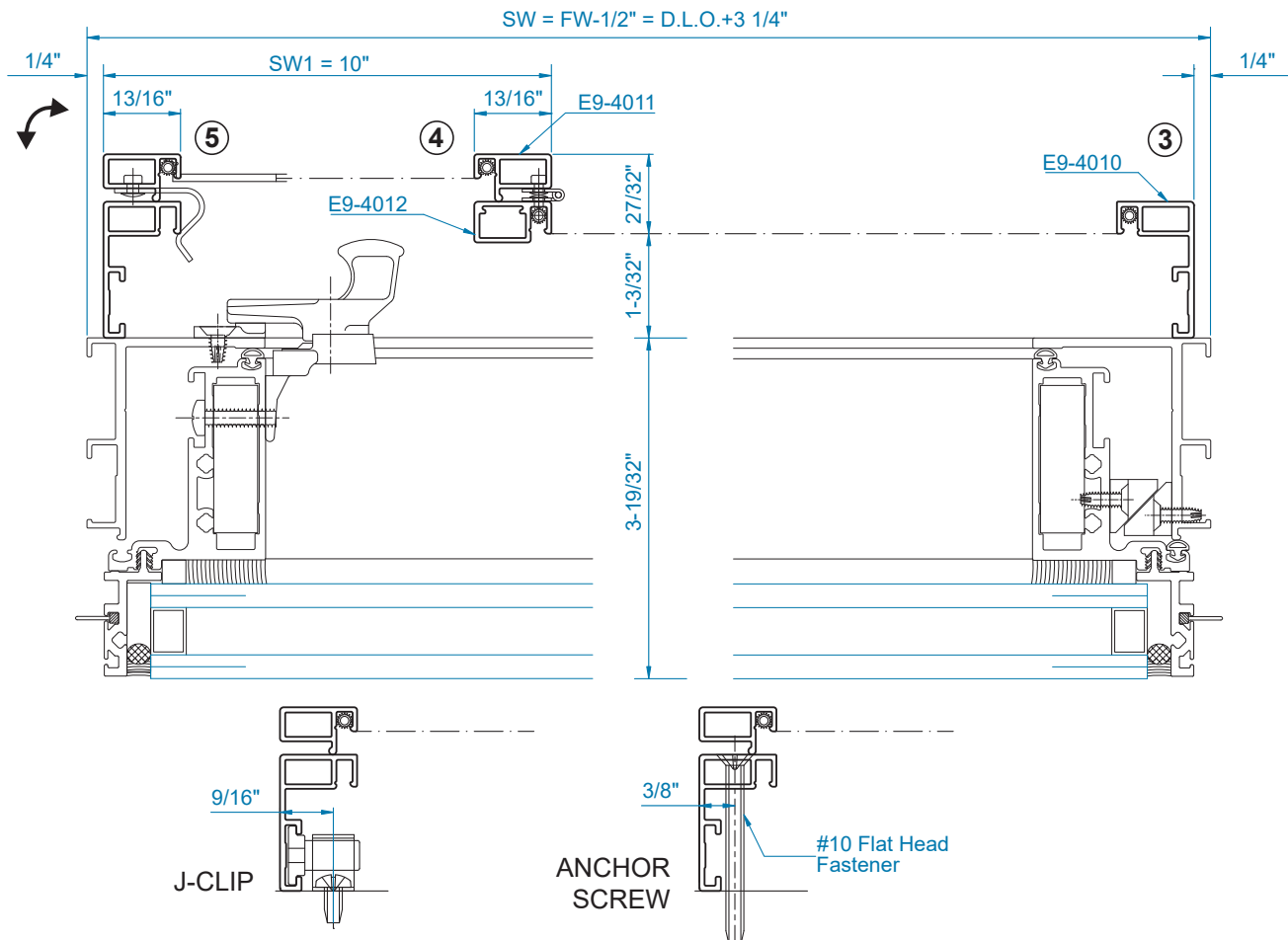
SECTION 4
HINGE JAMB
RIGHT

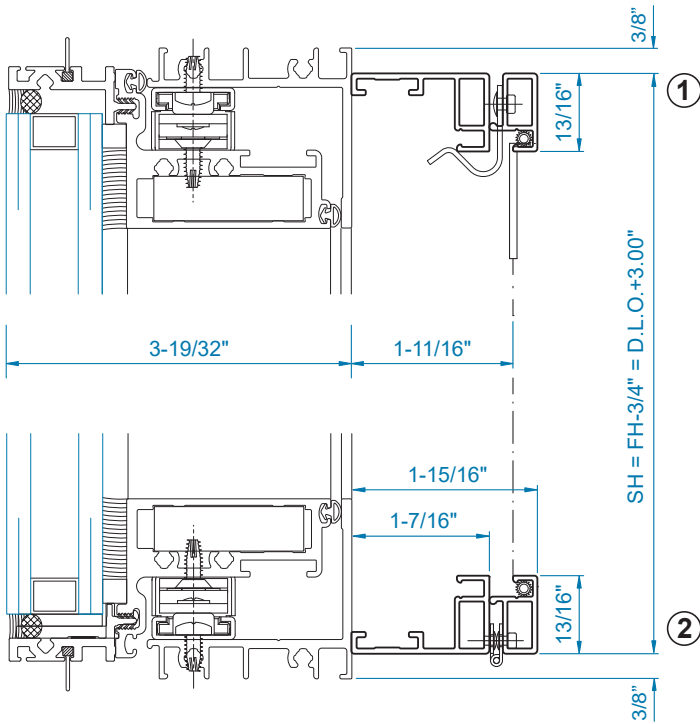


SCREEN ATTACHMENT OPTIONS

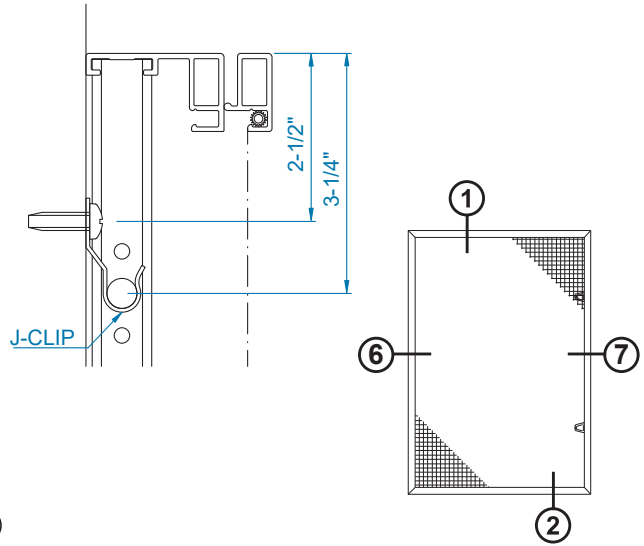


**SCREEN FOR CASEMENT OUTSWING
(INSTALLED ON THE INTERIOR)**

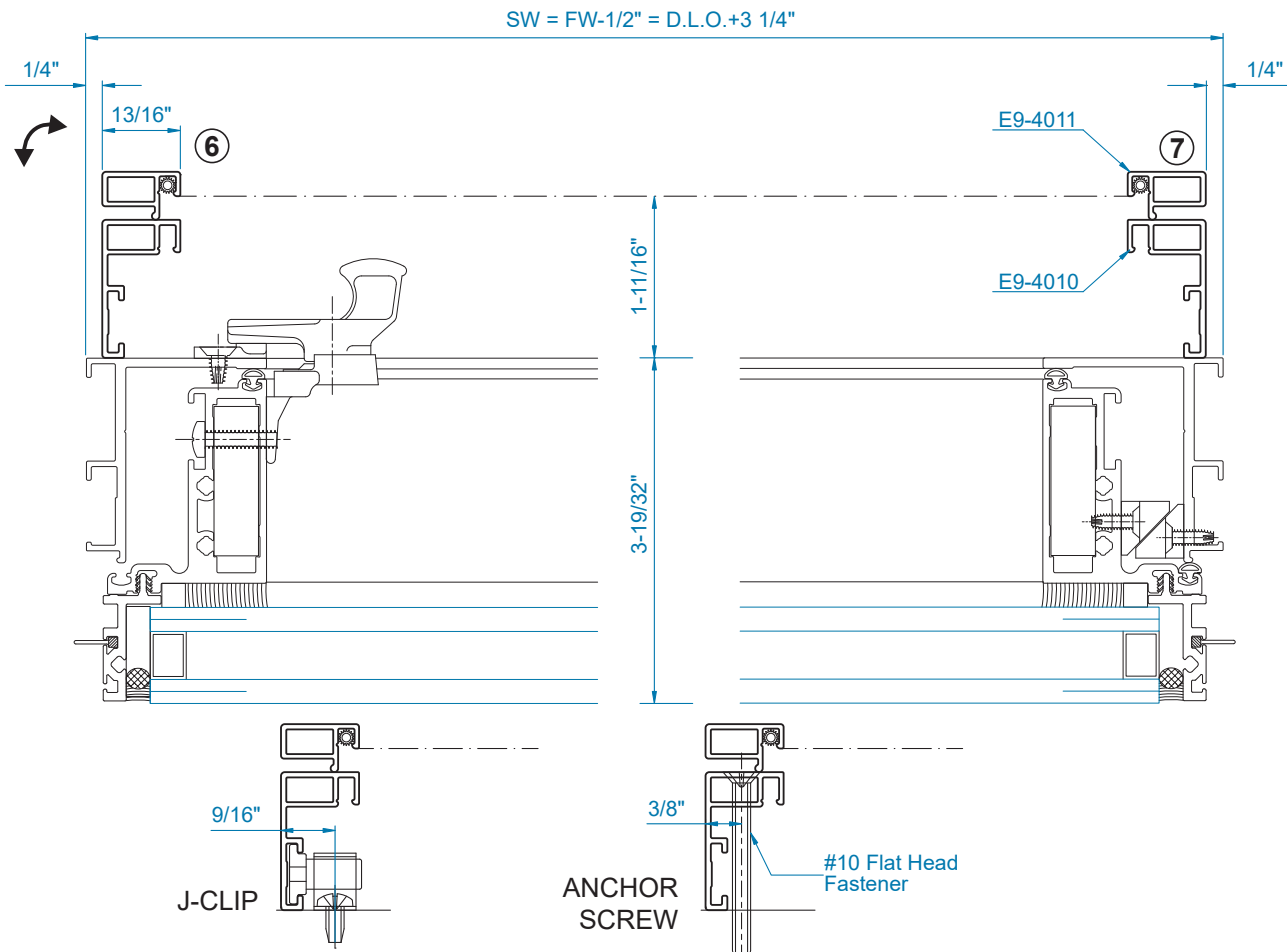


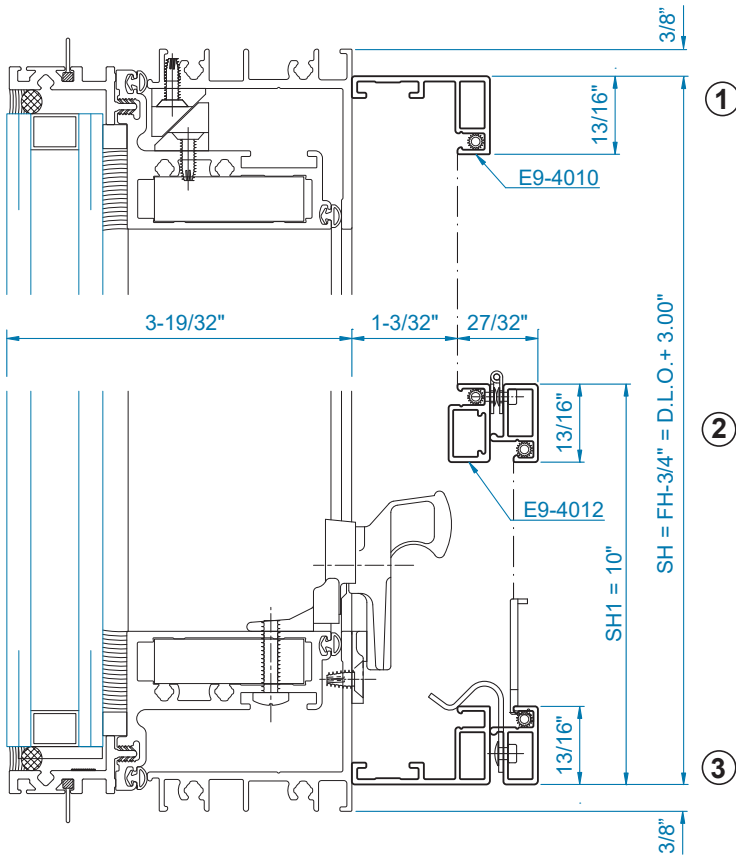


SCREEN ATTACHMENT OPTIONS

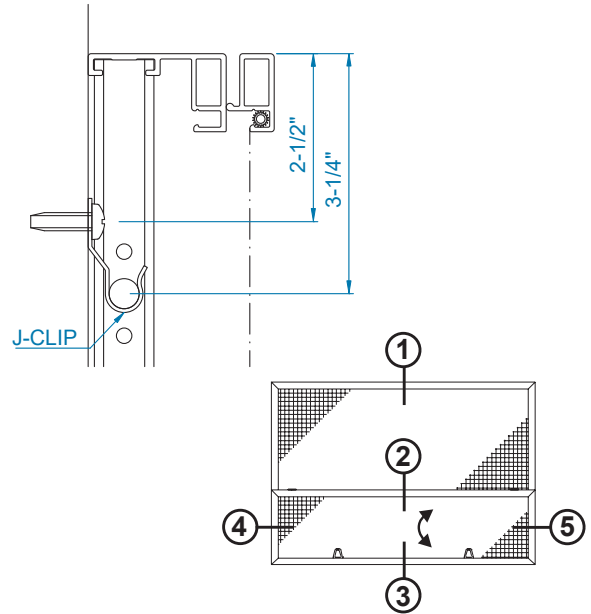


SCREEN FOR CASEMENT OUTSWING
(INSTALLED ON THE INTERIOR)

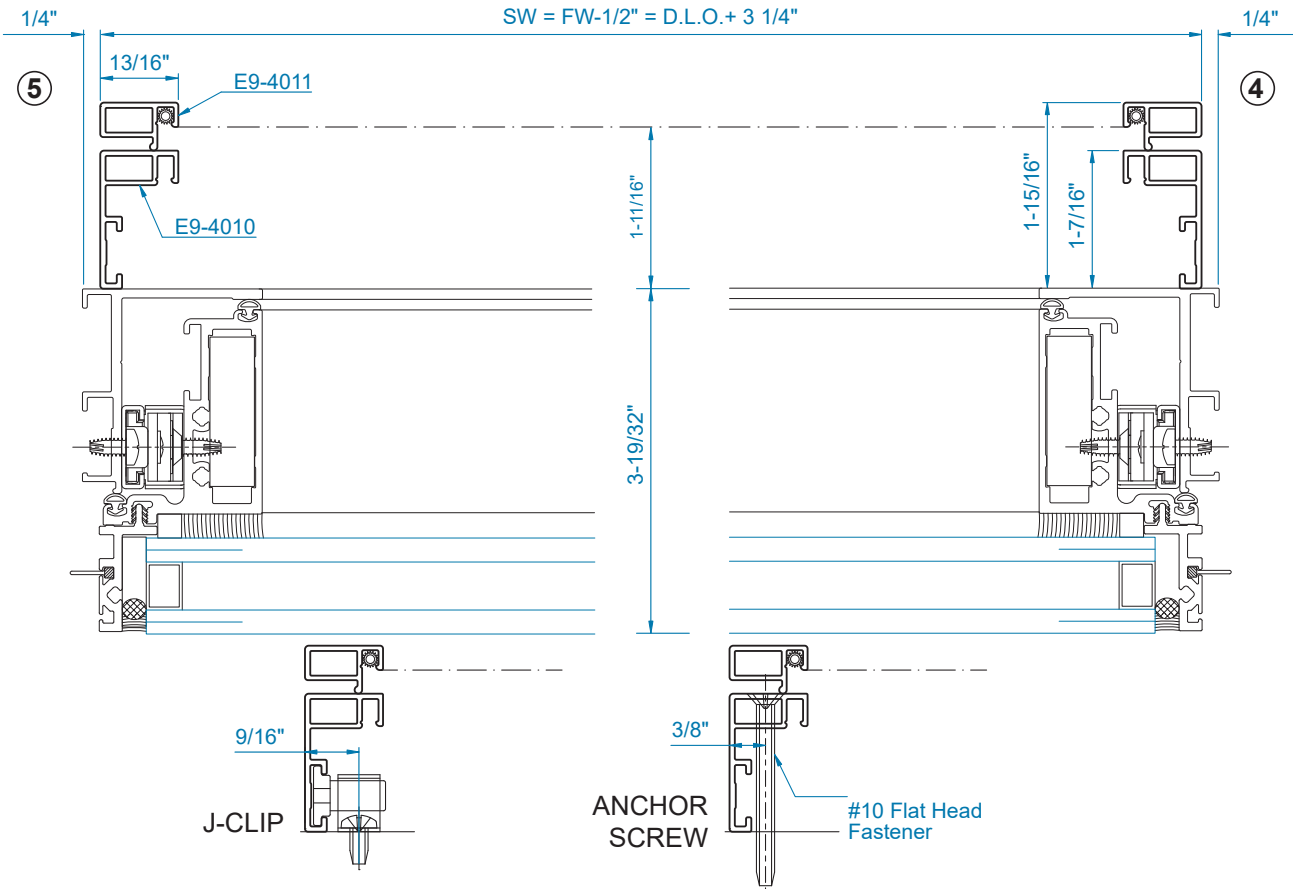


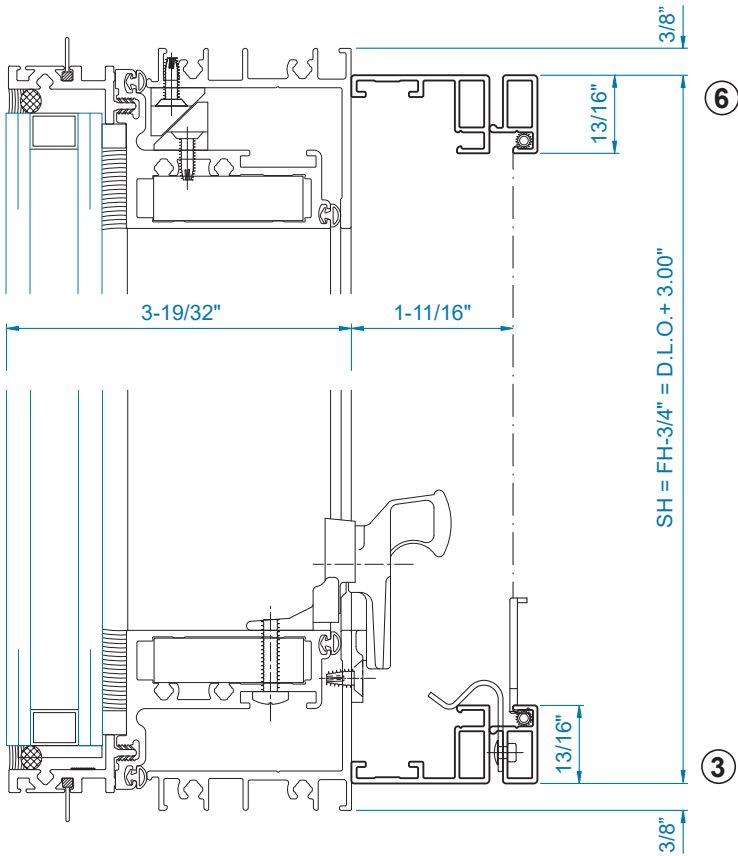


SCREEN ATTACHMENT OPTIONS

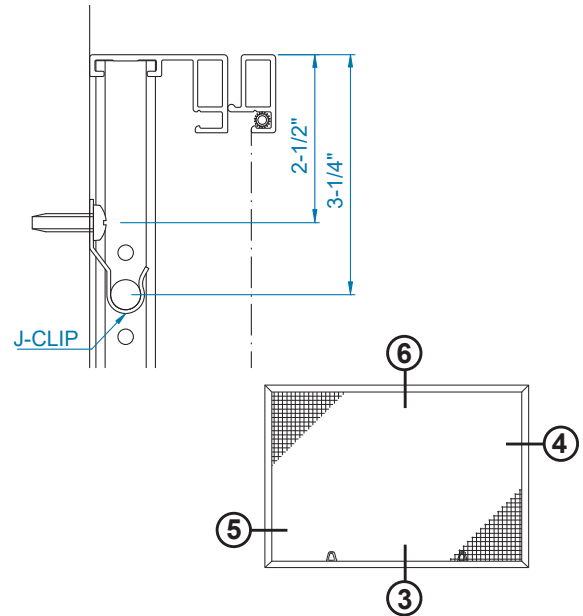


**SCREEN FOR PROJECT OUTSWING
(INSTALLED ON THE INTERIOR)**

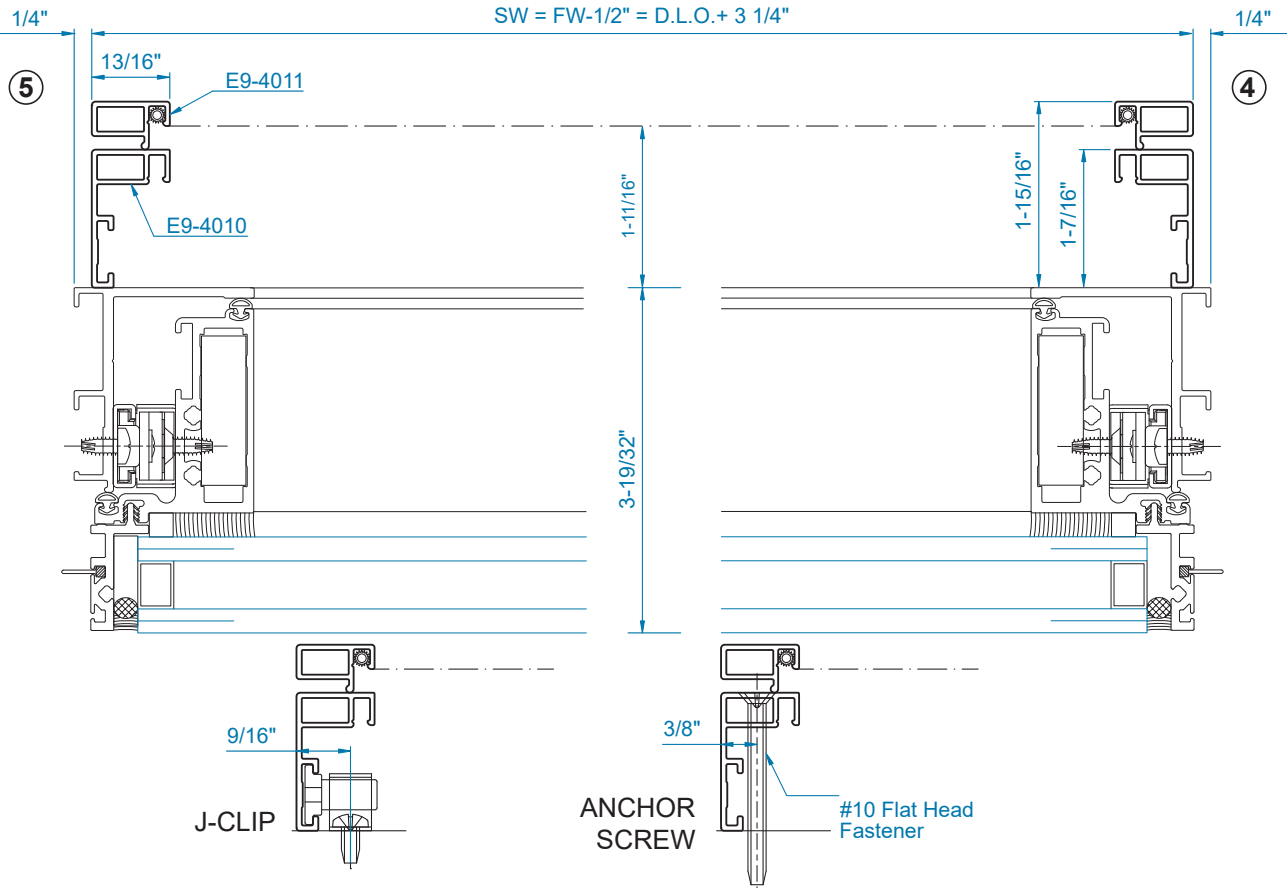


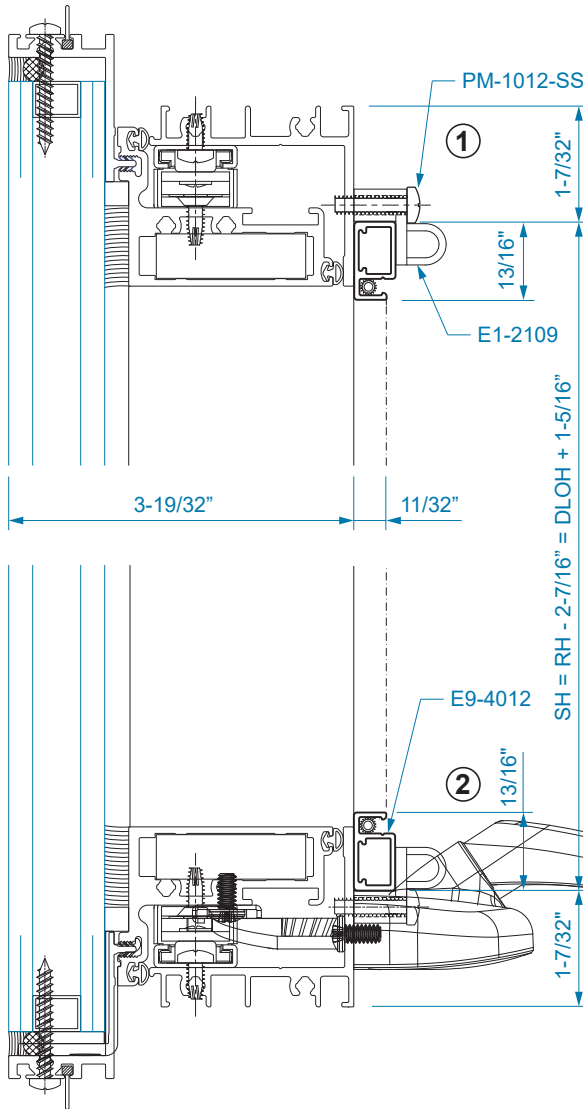


SCREEN ATTACHMENT OPTIONS

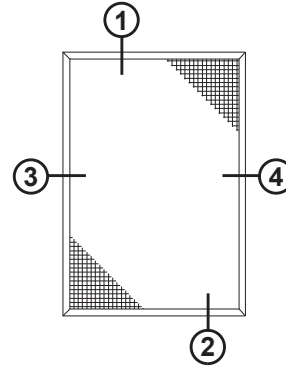


SCREEN FOR PROJECT OUTSWING
(INSTALLED ON THE INTERIOR)

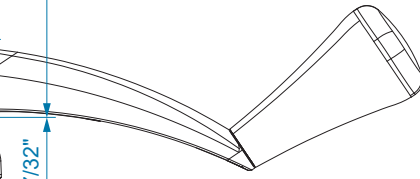




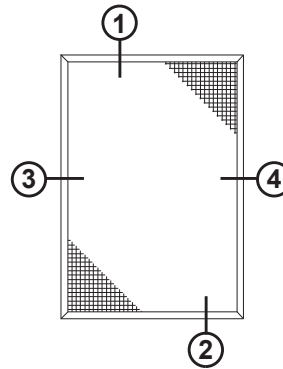
**SCREEN ATTACHMENT OPTIONS
FOR ACCESSIBLE WINDOW**



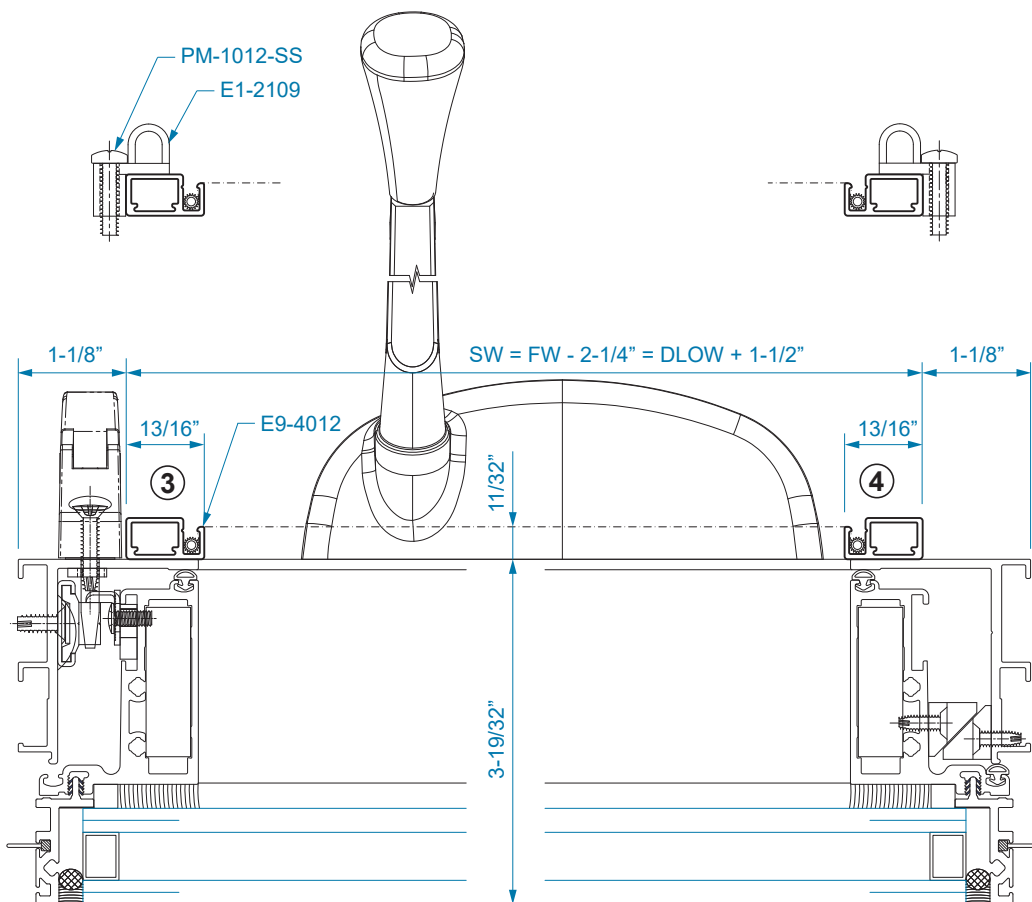
**SCREEN FOR CASEMENT OUTSWING
(INSTALLED ON THE INTERIOR)**



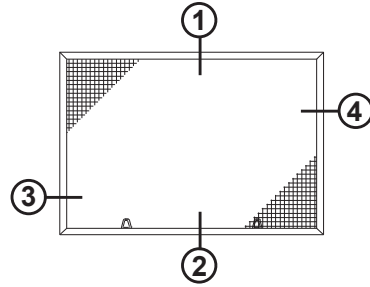
SCREEN ATTACHMENT OPTIONS
FOR ACCESSIBLE WINDOW



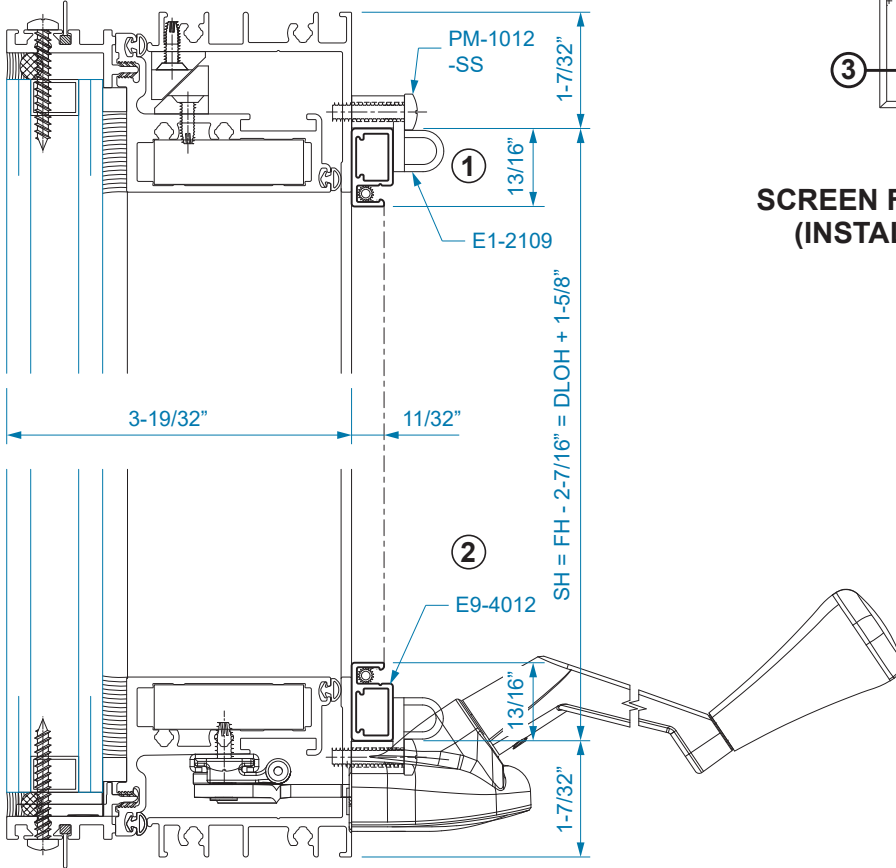
SCREEN FOR CASEMENT OUTSWING
(INSTALLED ON THE INTERIOR)



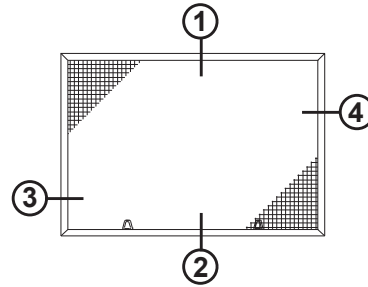
**SCREEN ATTACHMENT OPTIONS
FOR ACCESSIBLE WINDOW**



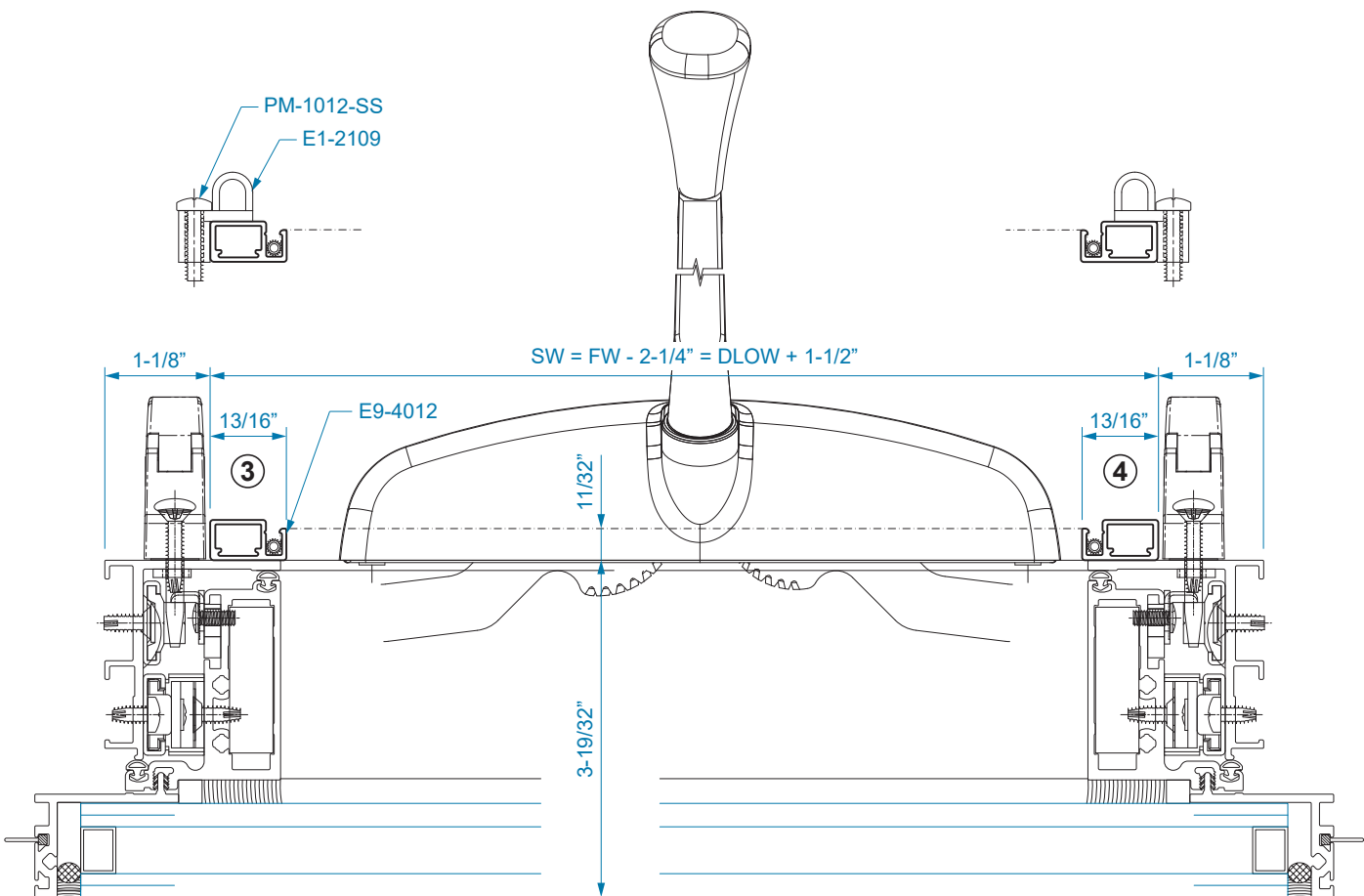
**SCREEN FOR PROJECT OUTSWING
(INSTALLED ON THE INTERIOR)**



SCREEN ATTACHMENT OPTIONS
FOR ACCESSIBLE WINDOW

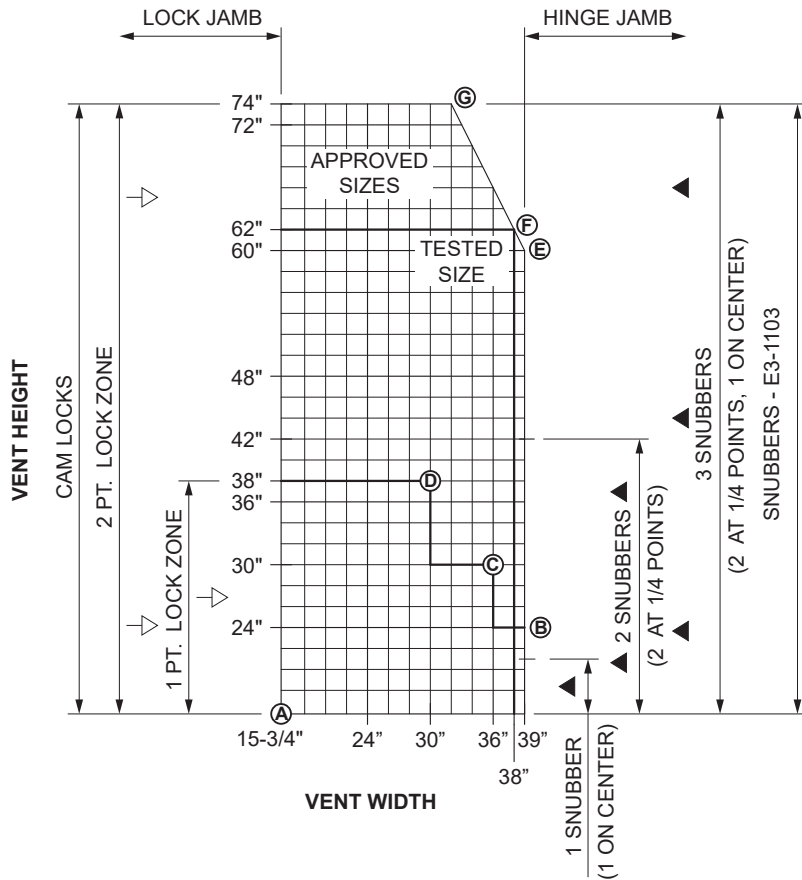


SCREEN FOR PROJECT OUTSWING
(INSTALLED ON THE INTERIOR)



CASEMENT OUTSWING w/ CAM LOCKS

1. SIZE LIMITATIONS: (Based on AW-70 Designation)



VENT WIDTH	VENT HEIGHT
MINIMUM SIZE 1.7 sq. ft.	
Ⓐ 15-3/4" [400.0mm]	15-3/4" [400.0mm]
Ⓑ 39" [990.6mm]	24" [609.6mm]
Ⓒ 36" [914.4mm]	30" [762.0mm]
Ⓓ 30" [762.0mm]	38" [965.2mm]
Ⓔ 39" [990.6mm]	60" [1524.0mm]
MAXIMUM SIZE 16.47 sq. ft. (Based on 70 psf and listed hardware)	
* Ⓕ 38" [965.2mm]	62" [1574.8mm]
Ⓖ 32" [812.8mm]	74" [1879.6mm]

* Indicates size as tested

▷ LOCK POINT
 ▶ SNUBBER

2. CAM LOCK LOCATIONS

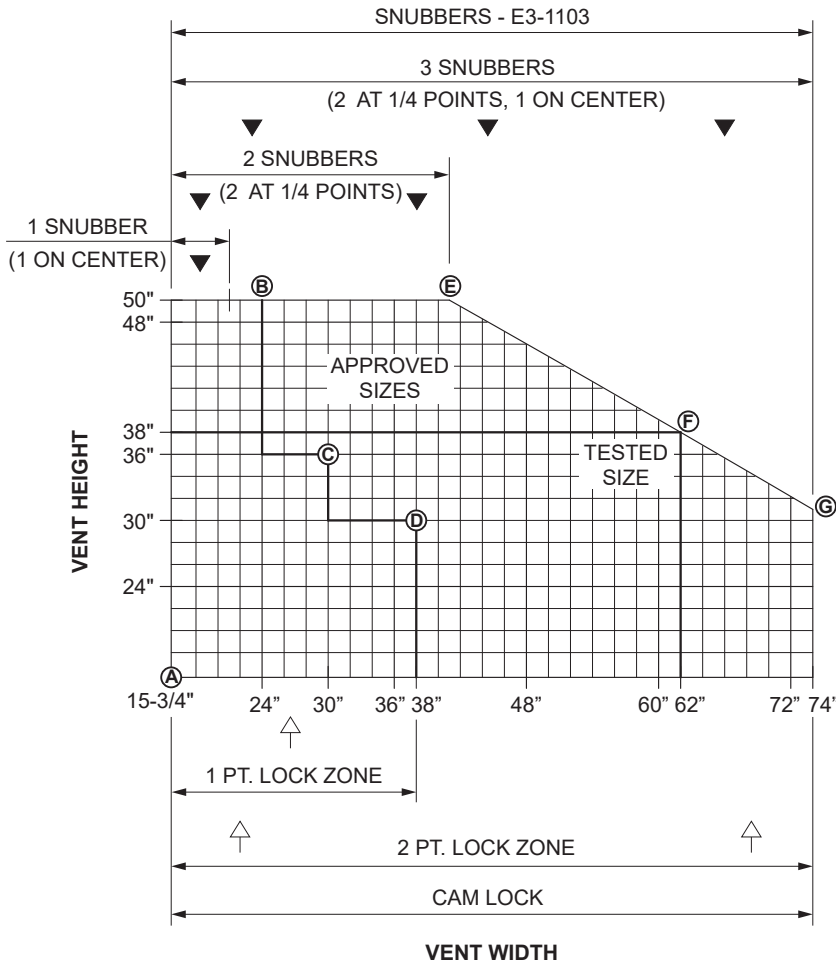
CAM LOCKING SYSTEM	
1 LOCK POINT	LOCATED ON CENTERLINE
2 LOCK POINT	8" FROM TOP & BOTTOM

3. NO BUTT HINGE AVAILABLE

4. FLORIDA PRODUCT APPROVED
 NON-IMPACT

PROJECT OUT w/ CAM LOCKS

1. SIZE LIMITATIONS: (Based on AW-70 Designation)



VENT WIDTH	VENT HEIGHT
MINIMUM SIZE 1.7 sq. ft.	
Ⓐ 15-3/4" [400.0mm]	15-3/4" [400.0mm]
Ⓑ 24" [609.6mm]	50" [1270.0mm]
Ⓒ 30" [762.0mm]	36" [914.4mm]
Ⓓ 38" [965.2mm]	30" [762.0mm]
Ⓔ 41" [1041.4mm]	50" [1270.0mm]
MAXIMUM SIZE 16.47 sq. ft. (Based on 70 psf and listed hardware)	
* Ⓕ 62" [1574.8mm]	38" [965.2mm]
Ⓖ 74" [1879.6mm]	31" [787.4mm]
* Indicates size as tested	

2. CAM LOCK LOCATIONS

CAM LOCKING SYSTEM	
1 LOCK POINT	LOCATED ON CENTERLINE
2 LOCK POINT	8" FROM EACH JAMB

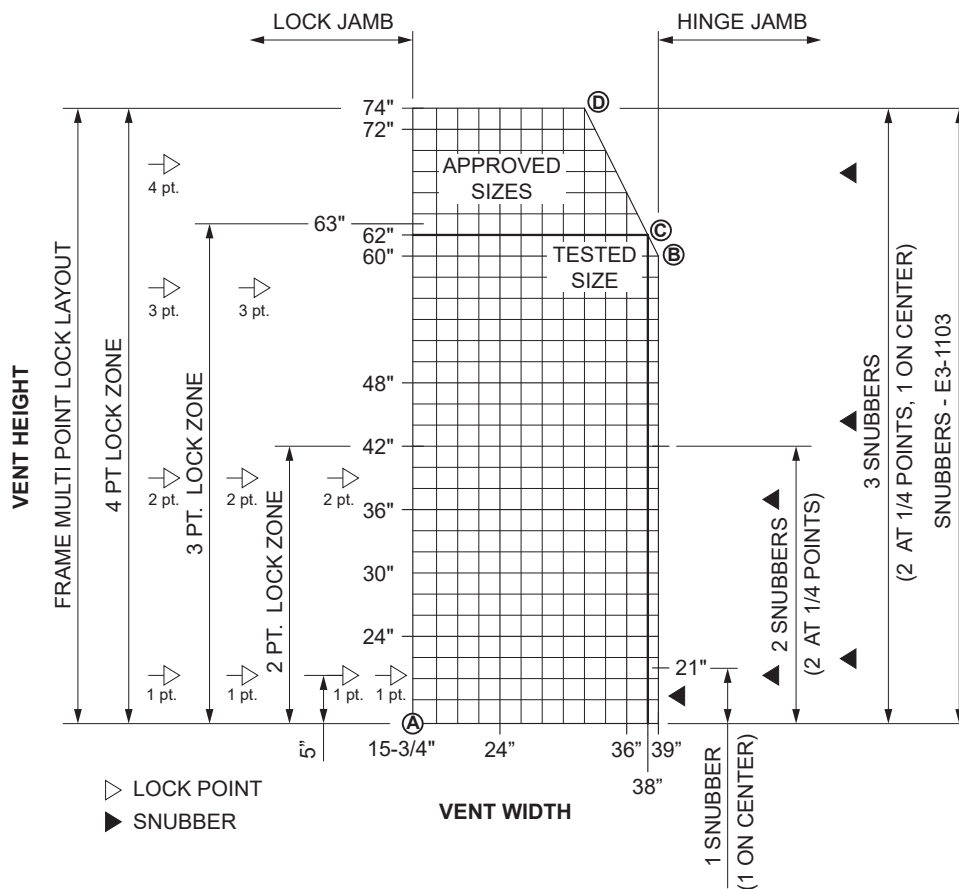
3. FLORIDA PRODUCT APPROVED

NON-IMPACT

CASEMENT OUTSWING w/ FRAME MULTIPOINT LOCK

1. SIZE LIMITATIONS: (Based on AW-70 Designation)

VENT WIDTH	VENT HEIGHT
MINIMUM SIZE 1.7 sq. ft.	
Ⓐ 15-3/4" [400.0mm]	15-3/4" [400.0mm]
Ⓑ 39" [990.6mm]	60" [1524.0mm]
MAXIMUM SIZE 16.4 sq. ft. (Based on 70 psf and listed hardware)	
* Ⓒ 38" [965.2mm]	62" [1574.8mm]
Ⓓ 32" [812.8mm]	74" [1879.6mm]
* Indicates size as tested	



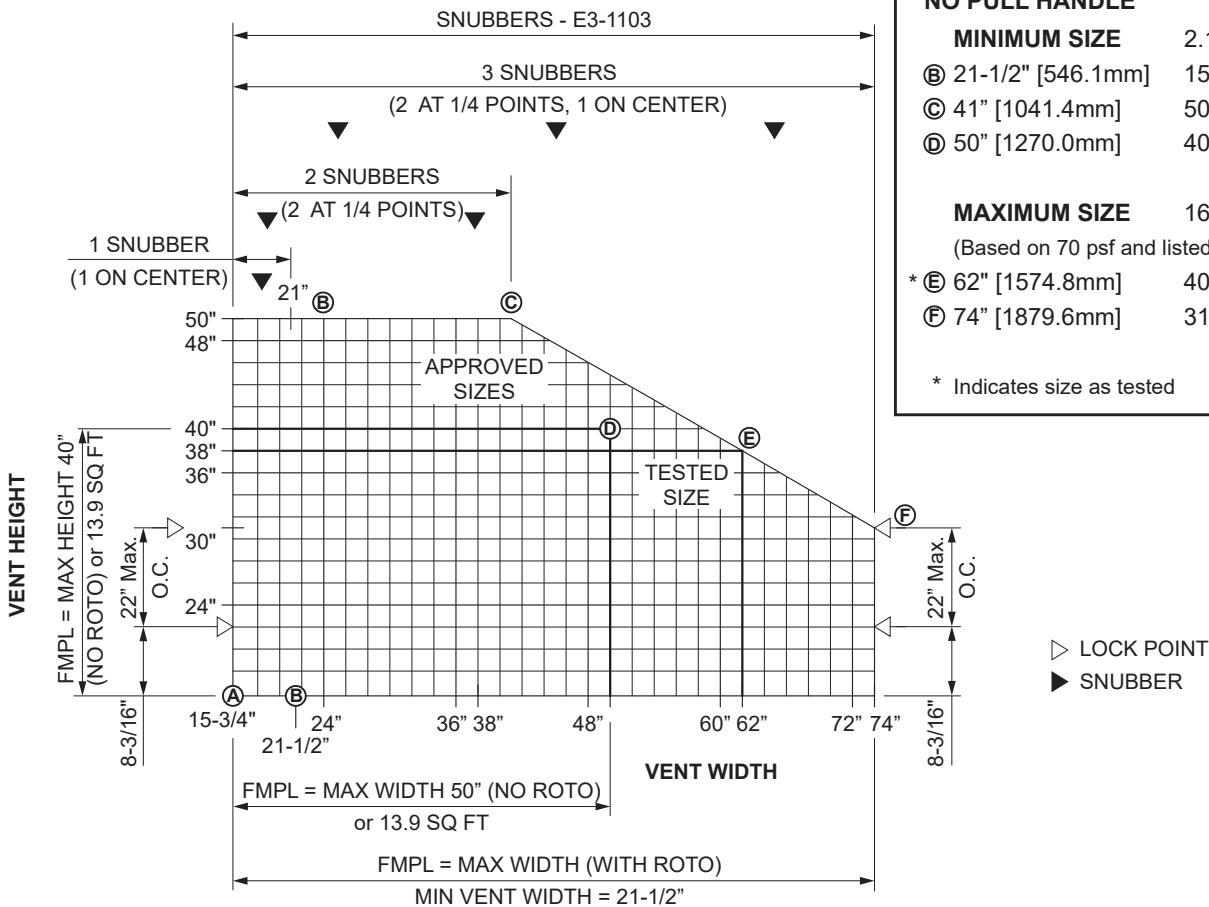
2. NO BUTT HINGE AVAILABLE

3. FLORIDA PRODUCT APPROVED
NON-IMPACT

PROJECT OUT w/ FRAME MULTIPOINT LOCK

1. SIZE LIMITATIONS: (Based on AW-70 Designation)

VENT WIDTH	VENT HEIGHT
WITHOUT ROTO OPERATOR / PULL HANDLE ONLY	
MINIMUM SIZE	1.7 sq. ft.
Ⓐ 15-3/4" [400.0mm]	15-3/4" [400.0mm]
MAXIMUM SIZE	13.9 sq. ft.
(Based on 70 psf and listed hardware)	
Ⓓ 50" [1270.0mm]	40" [1016.0mm]
WITH ROTO OPERATOR / NO PULL HANDLE	
MINIMUM SIZE	2.1 sq. ft.
Ⓑ 21-1/2" [546.1mm]	15-3/4" [400.0mm]
Ⓒ 41" [1041.4mm]	50" [1270.0mm]
Ⓔ 50" [1270.0mm]	40" [1016.0mm]
MAXIMUM SIZE	16.4 sq. ft.
(Based on 70 psf and listed hardware)	
* Ⓔ 62" [1574.8mm]	40" [965.2mm]
Ⓕ 74" [1879.6mm]	31" [787.4mm]
* Indicates size as tested	



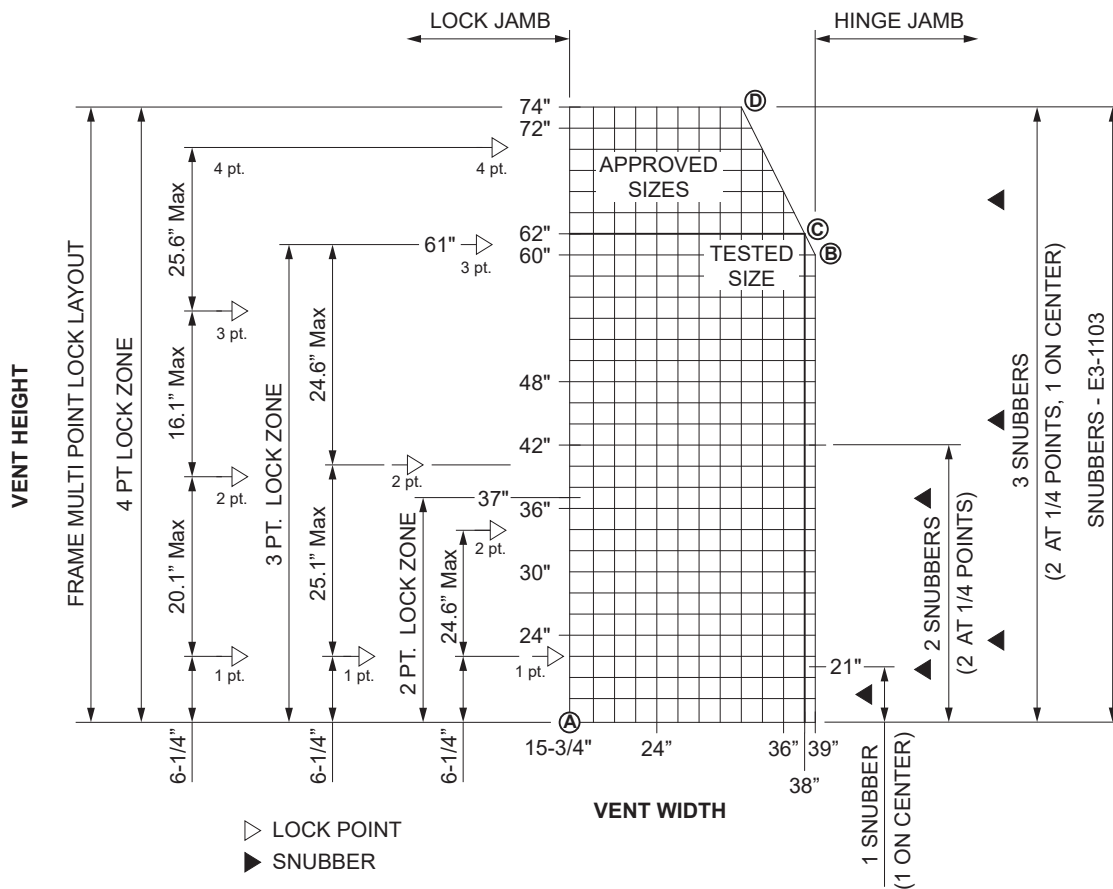
2. FLORIDA PRODUCT APPROVED

NON-IMPACT

CASEMENT OUTSWING w/ VENT MULTIPOINT LOCK

1. SIZE LIMITATIONS: (Based on AW-70 Designation)

VENT WIDTH	VENT HEIGHT
MINIMUM SIZE 2.4 sq. ft.	
Ⓐ 15-3/4" [400.0mm]	21-1/2" [546.1mm]
Ⓑ 39" [990.6mm]	60" [1524.0mm]
MAXIMUM SIZE 16.4 sq. ft.	
(Based on 70 psf and listed hardware)	
* Ⓒ 38" [965.2mm]	62" [1574.8mm]
Ⓓ 32" [812.8mm]	74" [1879.6mm]
* Indicates size as tested	

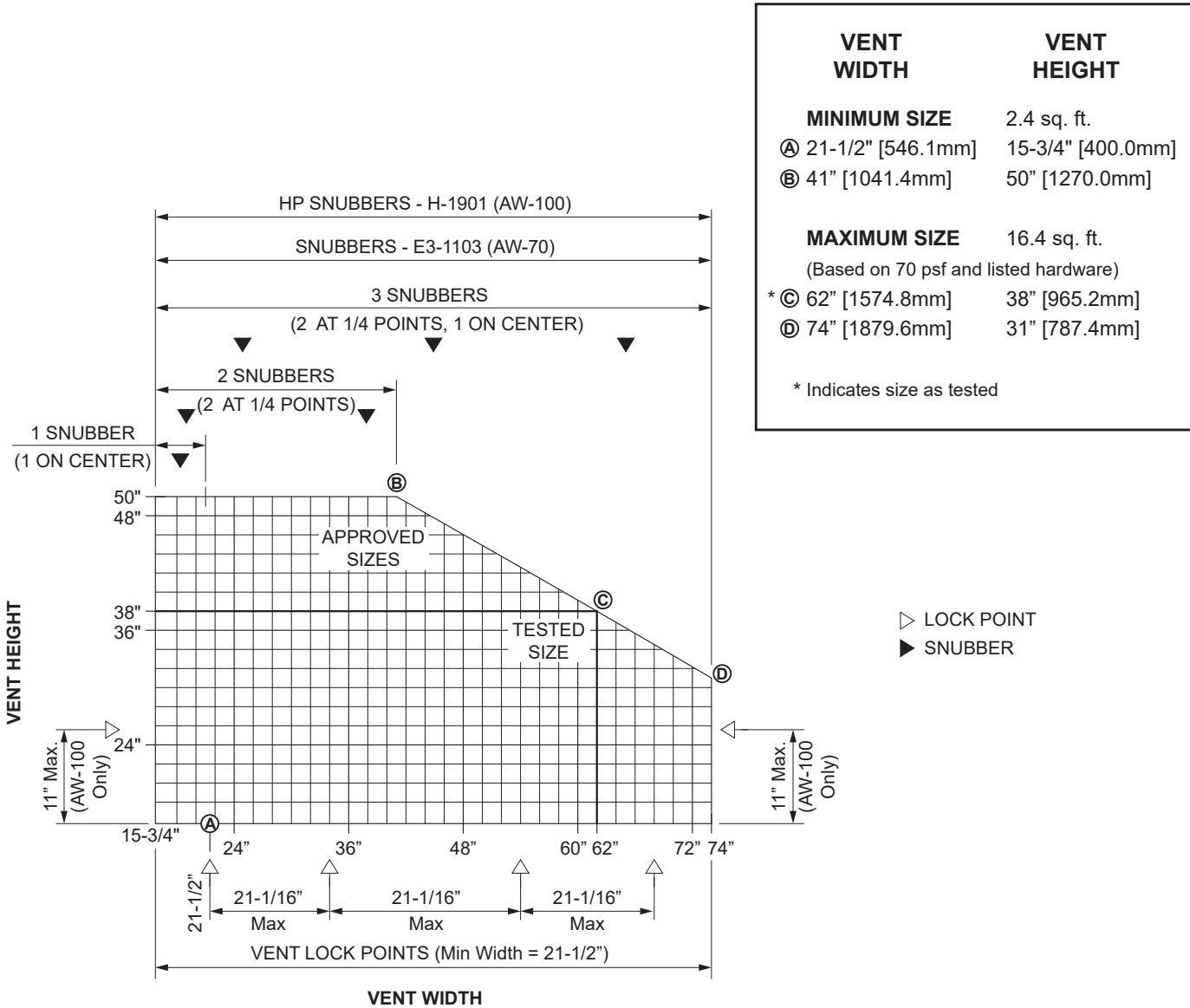


2. NO BUTT HINGE AVAILABLE

3. FLORIDA PRODUCT APPROVED *NON-IMPACT*

PROJECT OUT w/ VENT MULTIPOINT LOCK

1. SIZE LIMITATIONS: (Based on AW-70 & AW-100 Designation)

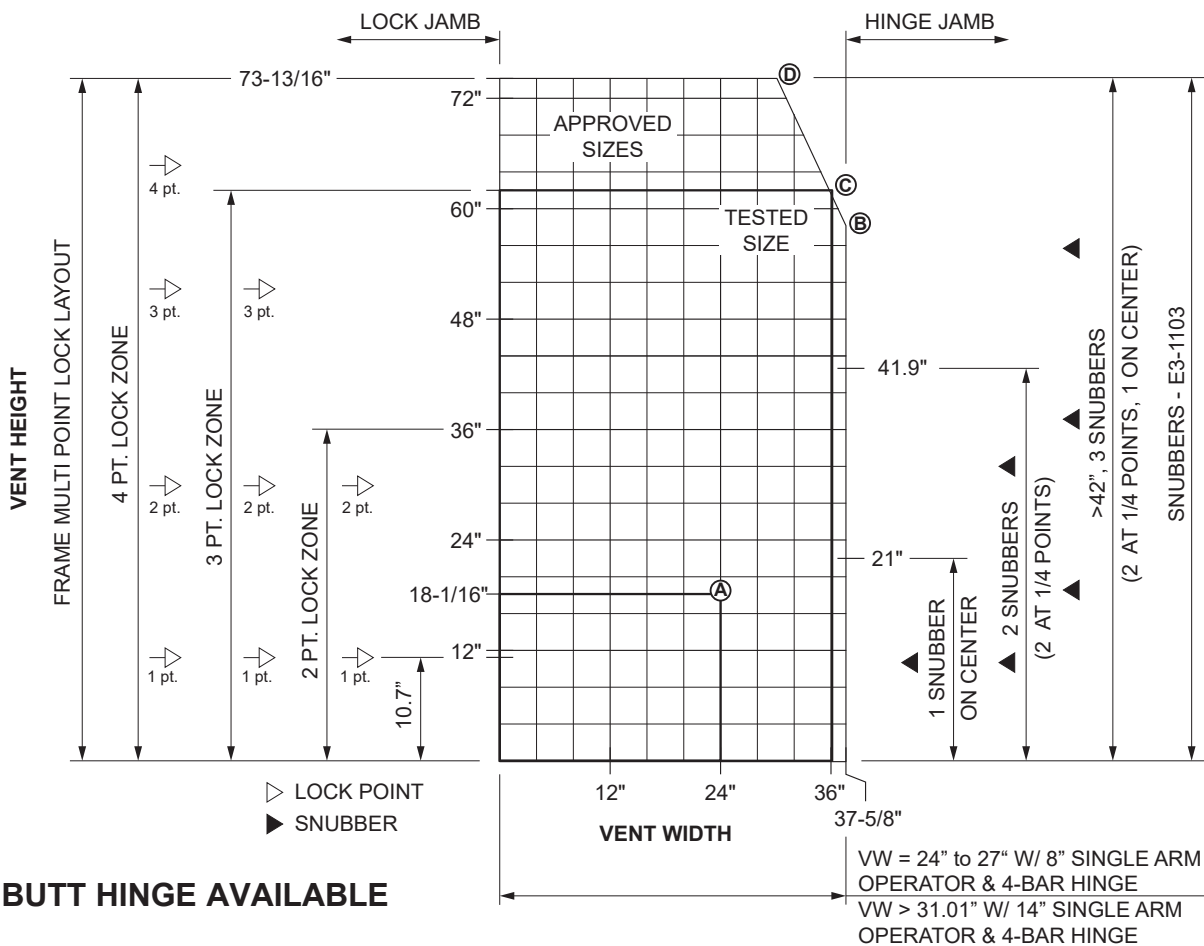


2. FLORIDA PRODUCT APPROVED
NON-IMPACT

ACCESSIBLE WINDOW - CASEMENT OUT w/ FRAME MULTIPOINT LOCK & ROTARY OPERATOR

1. SIZE LIMITATIONS: (Based on AW-65 Designation)

VENT WIDTH	VENT HEIGHT	VENT AREA	ALLOWABLE DESIGN PRESSURE
MINIMUM SIZE			
Ⓐ 24" [609.6mm]	18-1/16" [458.8mm]	3.0 sq. ft.	65 psf
Ⓑ 37-5/8" [955.1mm]	58-1/4" [1490.9mm]	15.2 sq. ft.	65 psf
TESTED SIZE			
Ⓒ 36-1/8" [917.6mm]	62" [1574.8mm]	15.6 sq. ft.	65 psf
MAXIMUM SIZE			
Ⓓ 30-1/8" [765.2mm]	73-13/16" [1874.8mm]	15.4 sq. ft.	65 psf



2. NO BUTT HINGE AVAILABLE

3. FLORIDA PRODUCT APPROVED
NON-IMPACT

4. NOT APPROVED FOR NYC - NO 4" LIMIT AVAILABLE

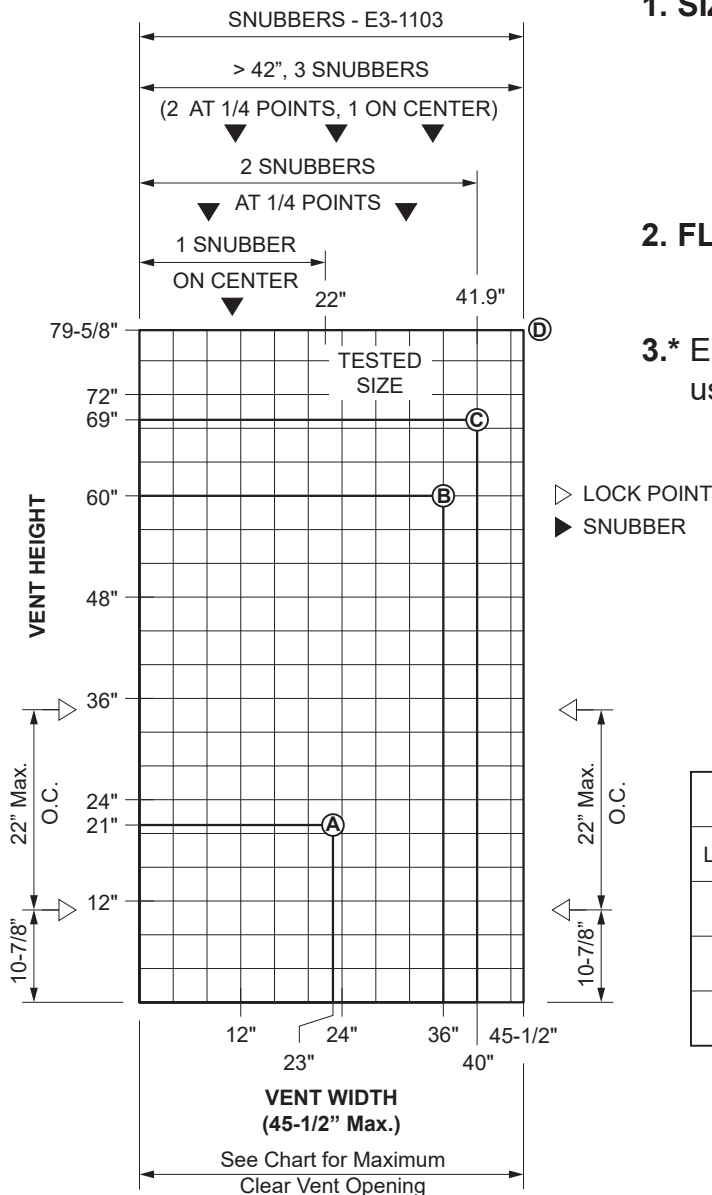
ACCESSIBLE WINDOW - PROJECT OUT w/ FRAME MULTIPOINT LOCK & ROTARY OPERATOR

VENT WIDTH	VENT HEIGHT	VENT AREA	ALLOWABLE DESIGN PRESSURE	VENT WEIGHT @ 7.2 lbs PER SQ. FT.
MINIMUM SIZE				
Ⓐ 23" [584.2mm]	21" [533.4mm]	3.4 sq. ft.	65 psf	24.1 lbs
Ⓑ 36" [914.4mm]	60" [1524.0mm]	15 sq. ft.	65 psf	106.7 lbs
Ⓒ 40" [1016.0mm]	69" [1752.6mm]	19.2 sq. ft.	55 psf	136.3 lbs
MAXIMUM TESTED SIZE				
Ⓓ 45-1/2" [1155.7mm]	79-5/8" [2022.5mm]	25.1 sq. ft.	45 psf	178.6 lbs

1. SIZE LIMITATIONS: (Based on AW-45 Rating, Oversize 25.1 sq.ft. max.)
(AW-65 Rating 15 sq.ft. max.)
Meets AAMA 513-14 Forces and Motion for Windows in Accessible Places.)

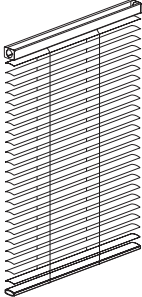
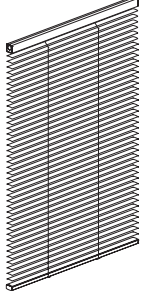
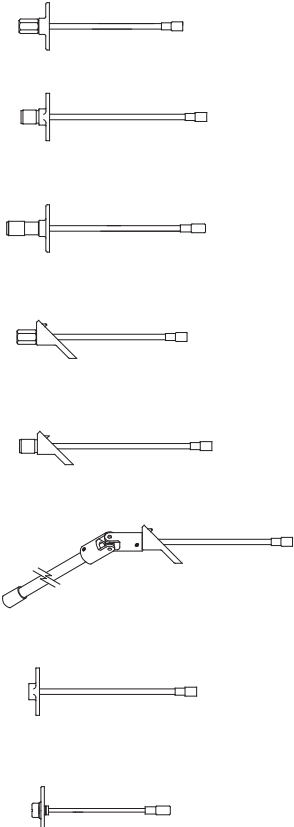
2. FLORIDA PRODUCT APPROVED
NON-IMPACT

3.* E1-1991 & E1-2012 rotary operators cannot be used in NYC, if NYC limit devices are used.



Operator Part #	*E1-1991	*E1-2012	E1-2013	E1-1992
Large Handle Crank Part #	E1-1983	E1-1983	E1-1983	E1-1983
Operator Arm Length	5-1/2"	7"	9"	11"
Maximum Vent Opening	1-3/16"	3-3/16"	5-3/16"	7-3/16"
Minimum Vent Cut Width	23"	26"	30"	34"

HARDWARE & ACCESSORIES

NAME	DETAIL	DESCRIPTION	MATERIAL
1" BLIND ASSEMBLY		Blind assembly consisting of extruded aluminum headrail, bottom rail, and slats of .006" roll formed aluminum with baked on enamel finish.	ALUMINUM
5/8" BLIND ASSEMBLY		Blind assembly consisting of extruded aluminum headrail, bottom rail, and slats of .006" roll formed aluminum with baked on enamel finish. Note: Blind size is limited to 15 square feet.	ALUMINUM
BLIND TILT KNOBS		<p>Tilt Knob Straight (Standard)</p> <p>Tilt Knob Extended (Standard)</p> <p>Tilt Knob Straight (7/16" Hex Knob)</p> <p>Tilt Knob Angled</p> <p>Tilt Knob Vertical Mount Angled (7/16" Hex Knob)</p> <p>Tilt Knob Vertical Mount Angled w/ Tilt Wand and U-Joint</p> <p>Tilt Knob Surface Mount, Low Profile</p> <p>Tilt Knob Removeable Key Operator</p>	—