



## TABLE OF CONTENTS

### PERIMETER ANCHOR OPTIONS

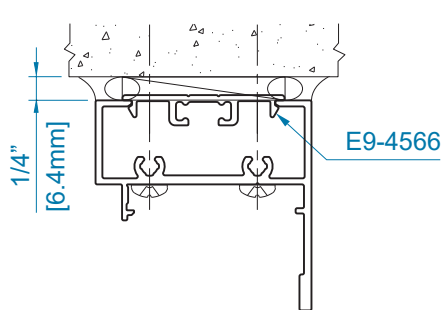
FLAT FILLERS / CAULK STOPS / FASTENER STABILIZERS .....	Pages 3 & 4
WINDOW SILL FLASHINGS / STARTERS / SILL EXTENDERS .....	Pages 5 to 8
WINDOW HEAD RECEPTORS .....	Pages 9 to 11
STRAP ANCHORS .....	Page 12
STEEL TWIST ANCHORS .....	Page 13
EDGE CLIP / TRIM & CLIP ANCHORS.....	Page 14

PANNING OPTIONS - LEE HIGH SCHOOL .....	Page 15
---	---------

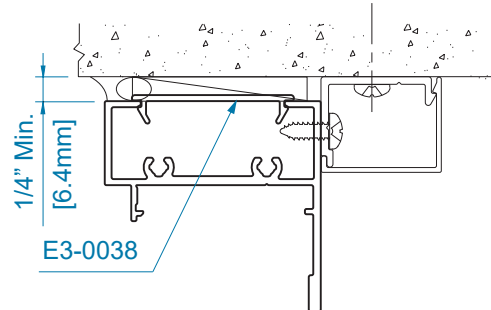
MULLION OPTIONS.....	Pages 16 to 22
----------------------	----------------

APPLIED MUNTIN OPTIONS .....	Pages 23 to 28
------------------------------	----------------

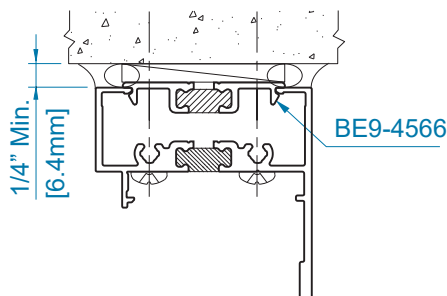
## 2-1/4" DEPTH WINDOW FLAT FILLERS / CAULK STOPS / FASTENER STABILIZERS (YOW 225, YOW 225 H, YOW 225 TU, & YOW 225 TUH)



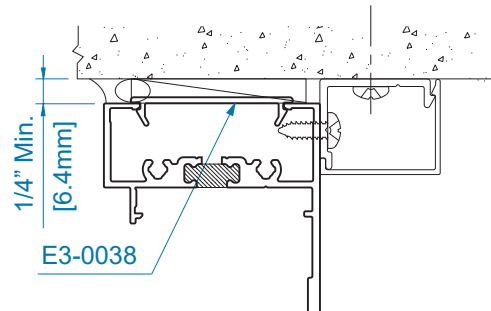
**YOW 225 / 225 H**  
Head With  
Aluminum E9-4566 Flat Filler /  
Fastener Stabilizer  
(Jamb/Sill Similar)



**YOW 225 / 225 H**  
Head With E3-0038 \*  
PVC Flat Filler / Caulk Stop  
(Jamb/Sill Similar, not for  
Through Anchor)

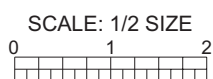


**YOW 225 TU / 225 TUH**  
Head With  
Aluminum BE9-4566 Flat Filler /  
Fastener Stabilizer  
(Jamb/Sill Similar)

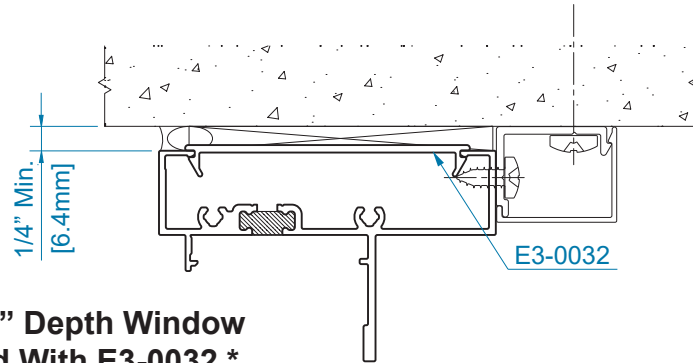


**YOW 225 TU / 225 TUH**  
Head With E3-0038 \*  
PVC Flat Filler / Caulk Stop  
(Jamb/Sill Similar, not for  
Through Anchor)

\* **Note:** PVC Filler not to be used to stabilize anchor fastener.

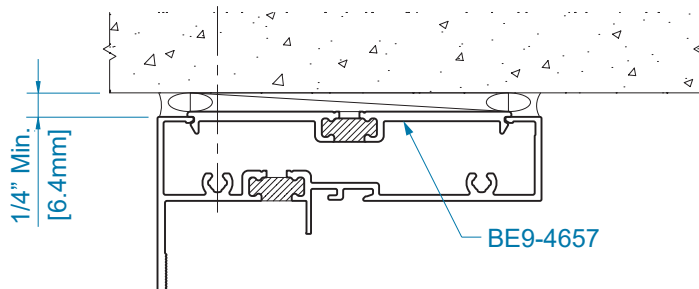


**3-1/2" DEPTH WINDOW FLAT FILLERS / CAULK STOPS  
(YOW 350 T, YOW 350 TU, & YOW 350 TUH)**

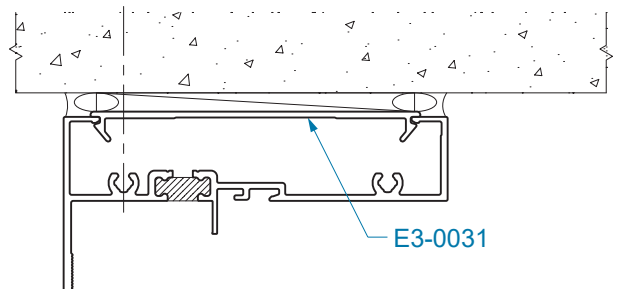


**3-1/2" Depth Window  
Head With E3-0032 \*  
PVC Flat Filler / Caulk Stop  
YOW 350 TU / TUH shown  
(Jamb & Sill Similar, not  
for Through Anchor)**

**4" DEPTH WINDOW FLAT FILLERS / FASTENER STABILIZERS  
(YFW 400 TU / TUH, YVS 400 TU, YVS 410 TU / TUH)**

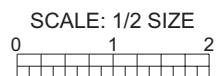


**4" Depth Window  
Head With BE9-4567  
Aluminum Flat Filler /  
Fastener Stabilizer  
YFW 400 TU / TUH shown  
(Jamb & Sill Similar, not  
for YSW 400 T)**

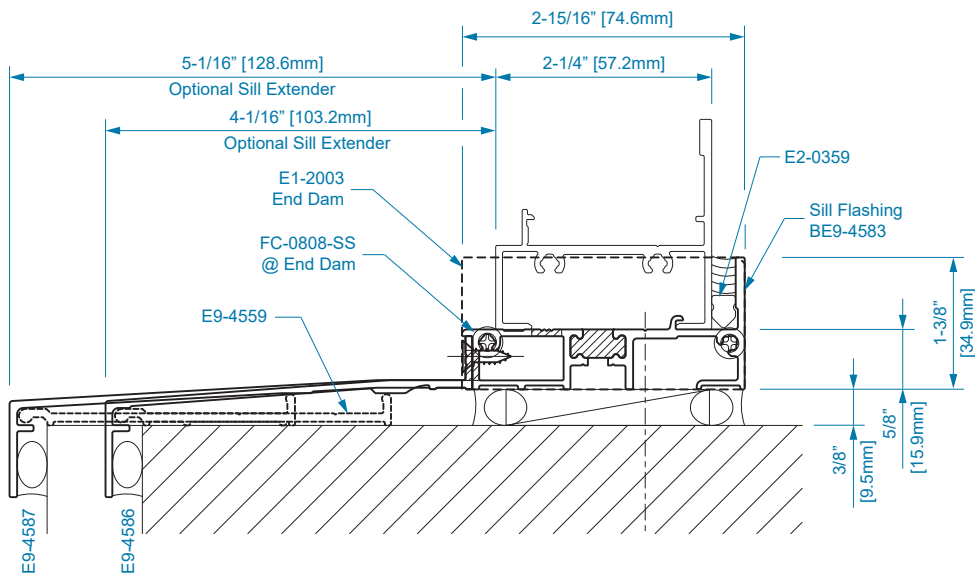


**4" Depth Window  
Head With E3-0031 \*  
PVC Flat Filler / Caulk Stop  
YFW 400 TU / TUH shown  
(Jamb & Sill Similar, not  
for YSW 400 T)**

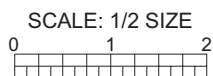
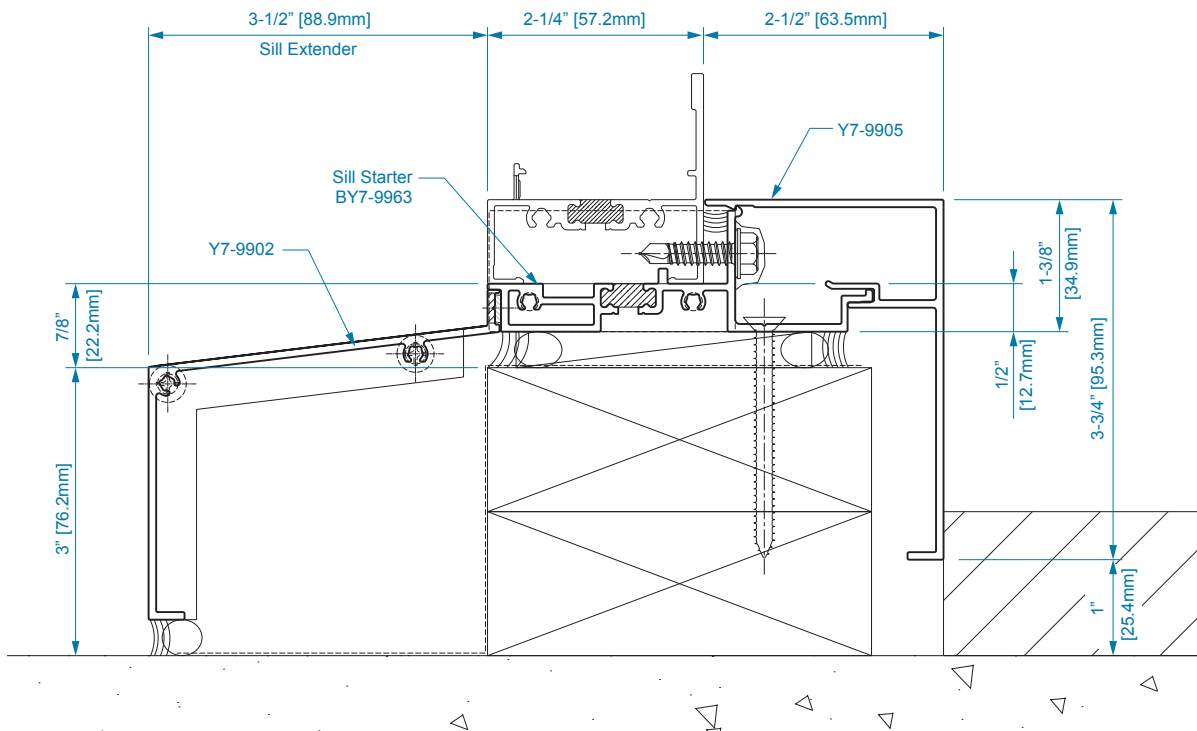
\* Note: PVC Filler not to be used to stabilize anchor fastener.



**2-1/4" DEPTH WINDOW SILL FLASHINGS / OPTIONAL SILL STARTERS /  
OPTIONAL SILL EXTENDERS  
(YOW 225, YOW 225 H, YOW 225 TU, & YOW 225 TUH)**

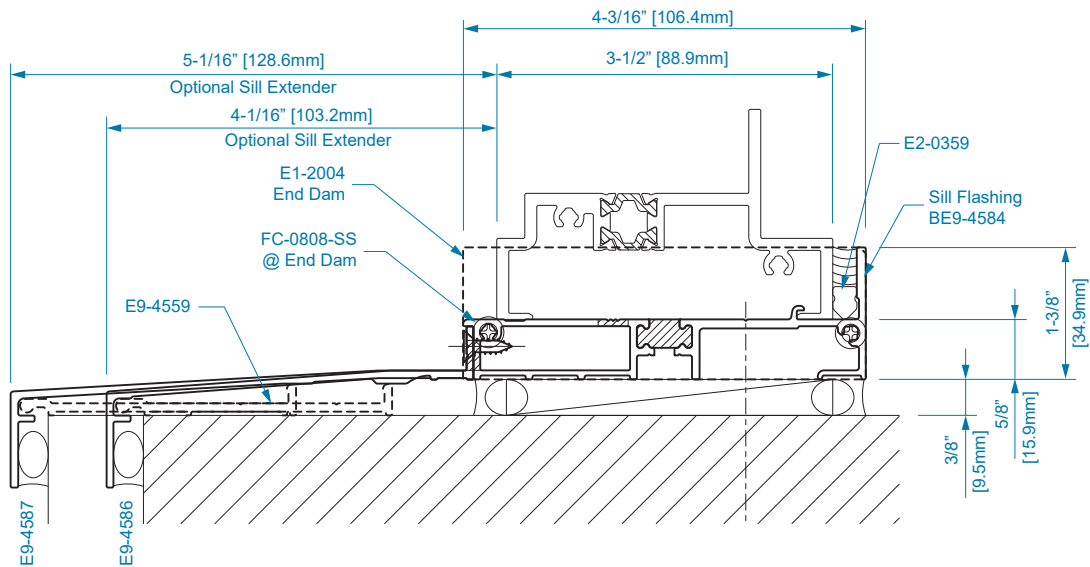


**(Lee High School Panning Sill, YOW 225 TU)**

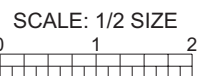
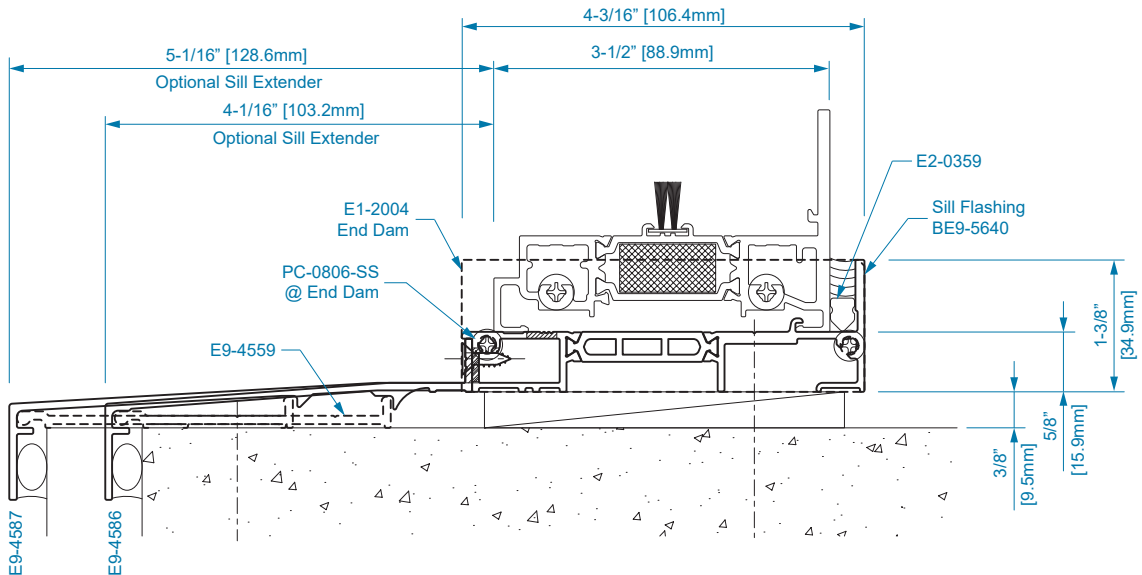


**3-1/2" DEPTH WINDOW SILL FLASHINGS / OPTIONAL SILL EXTENDERS  
(YOW 350 T, YOW 350 TU, YOW 350 TUH, YOW 350 XT)**

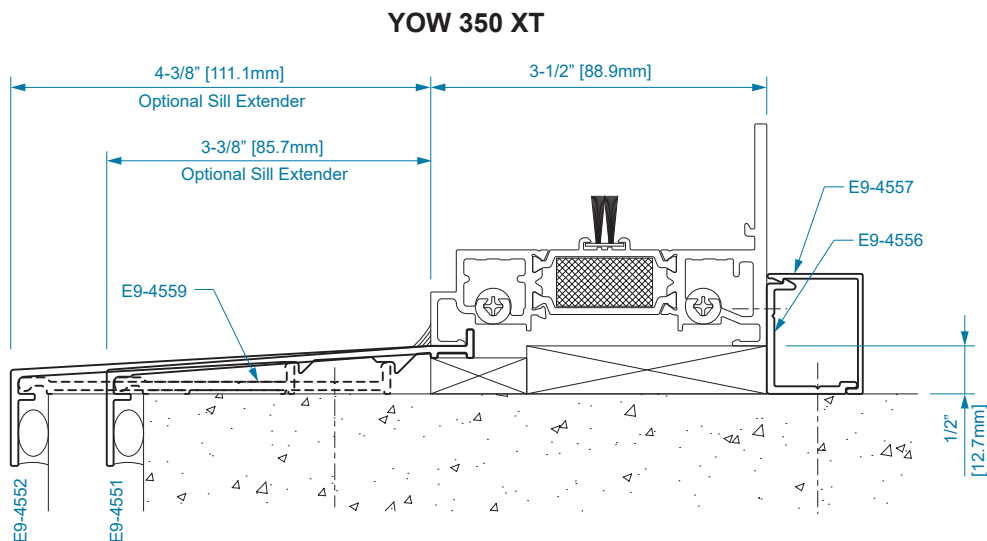
**YOW 350 T / TU / TUH**



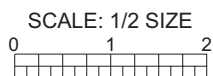
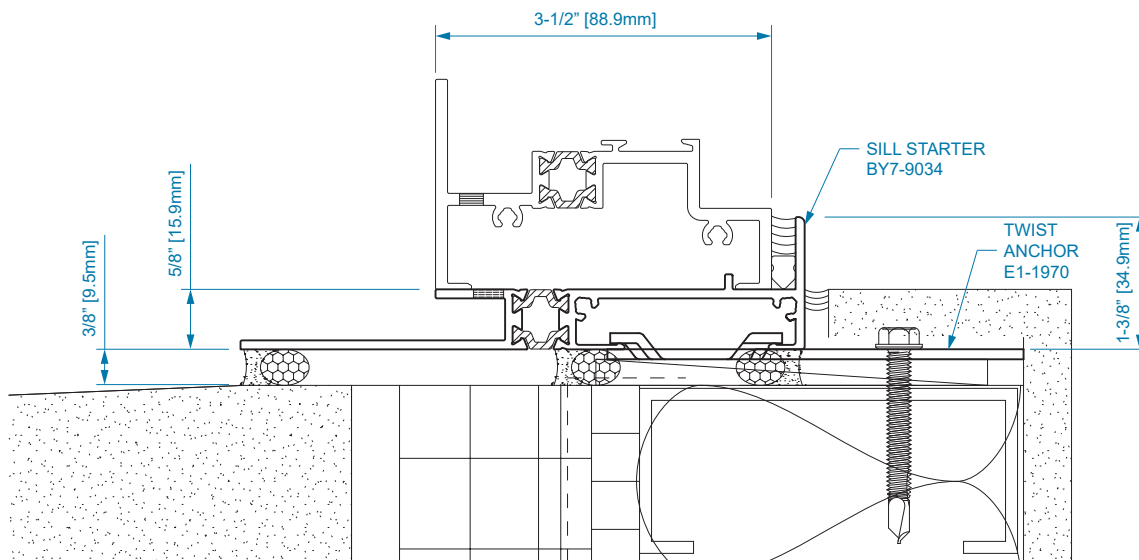
**YOW 350 XT**



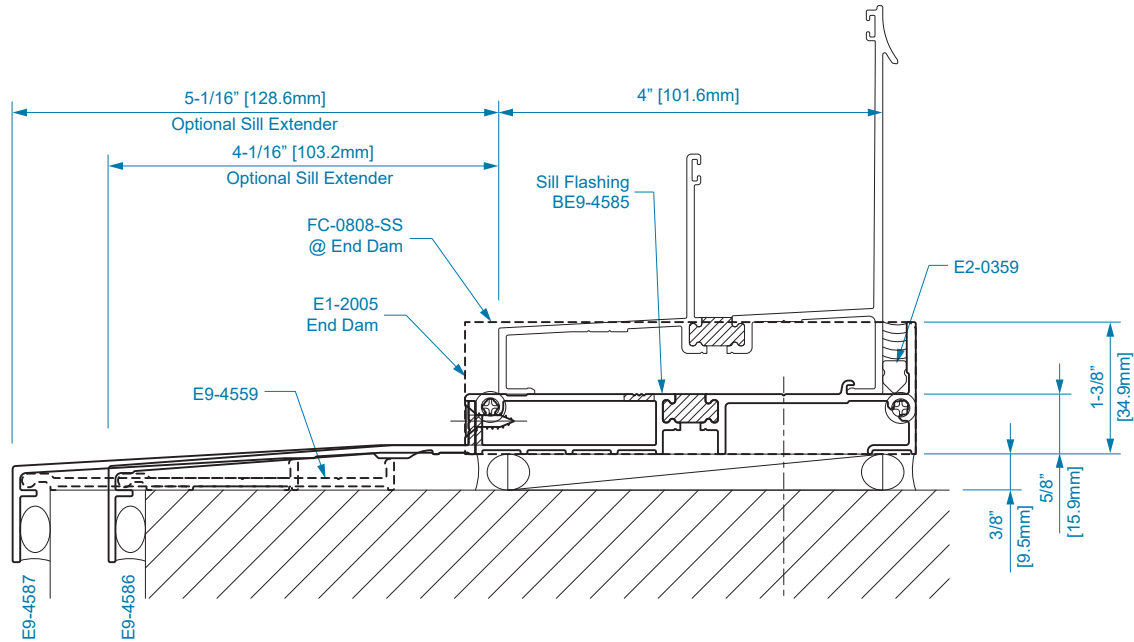
**3-1/2" DEPTH WINDOW SILL FLASHINGS / OPTIONAL SILL EXTENDERS  
(YOW 350 T, YOW 350 TU, YOW 350 TUH, YOW 350 XT)**



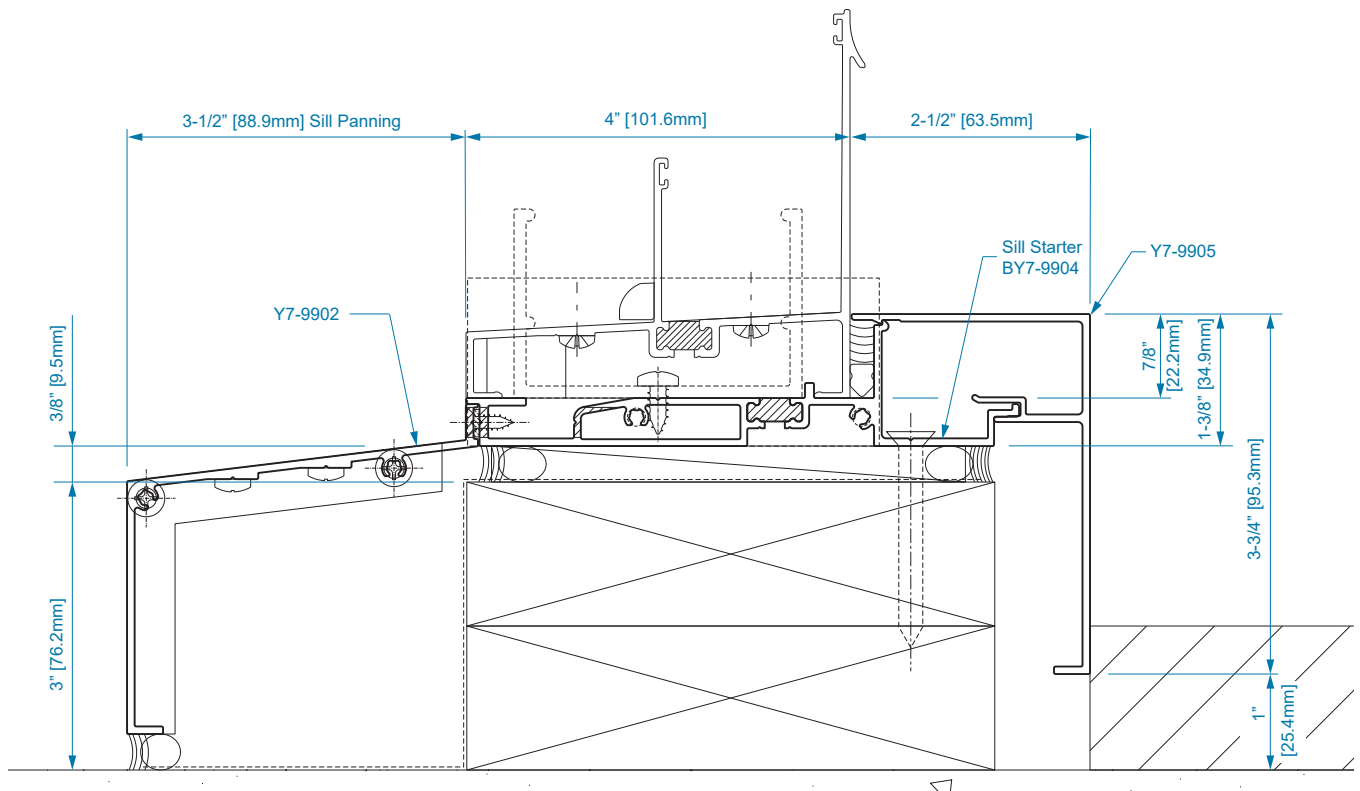
**3-1/2" SILL STARTER W/ STRAP ANCHOR  
(Pike & Rose Block, YOW 350 T)**



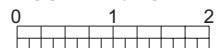
**4" DEPTH WINDOW SILL FLASHINGS / SILL STARTERS /  
OPTIONAL SILL EXTENDERS  
(YFW 400 TU / TUH, YVS 400 TU, YVS 410 TU / TUH)**



(Lee High School, YVS 400 TU)



SCALE: 1/2 SIZE

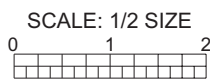
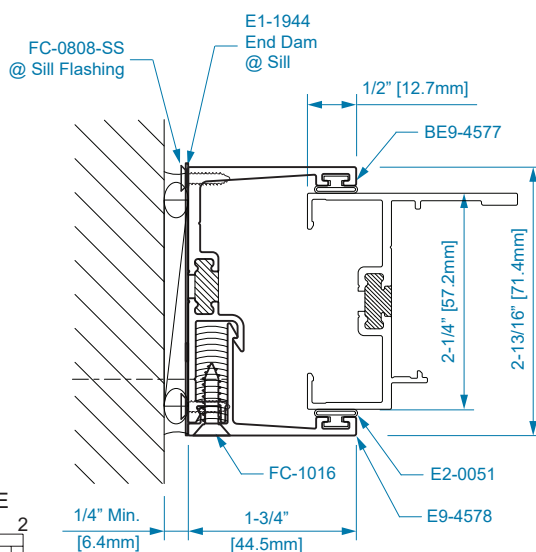
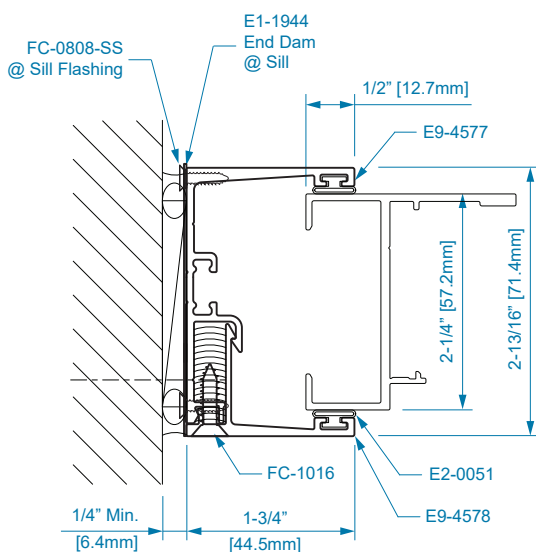
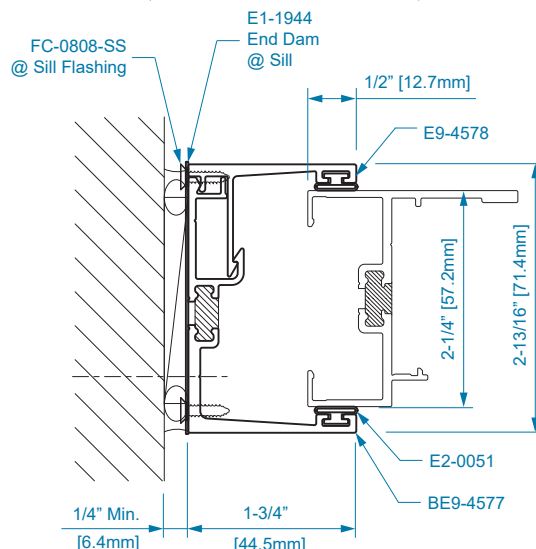
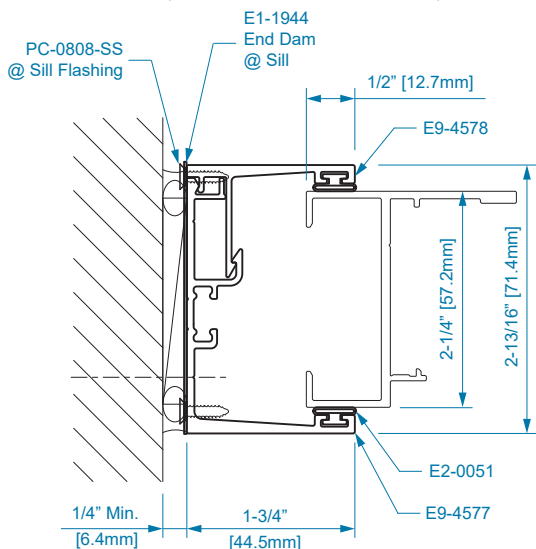
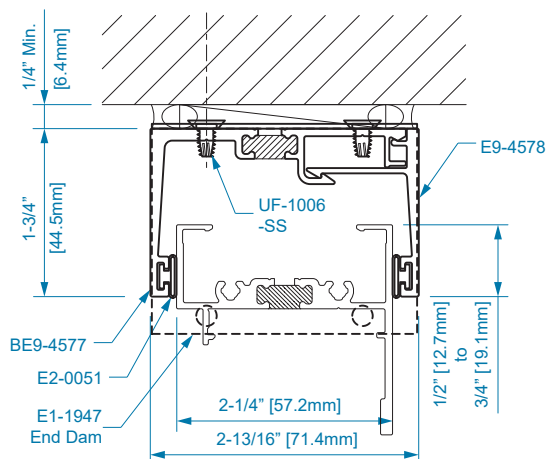
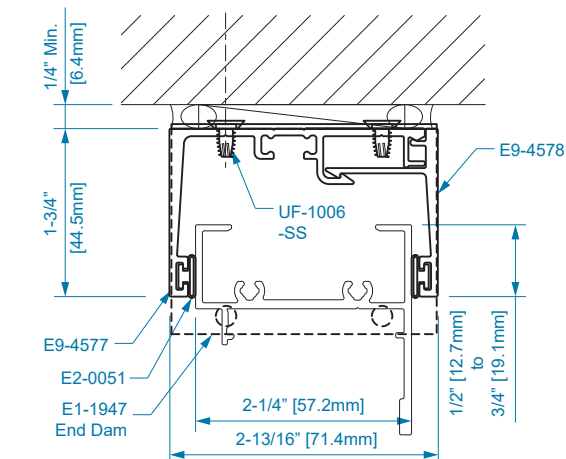


## 2-1/4" DEPTH WINDOW HEAD / JAMB RECEPTORS (YOW 225, YOW 225 H, YOW 225 TU, & YOW 225 TUH)

**Note:** Use YOW 225 TU Sill Flashing with Head & Jamb Receptors

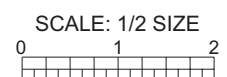
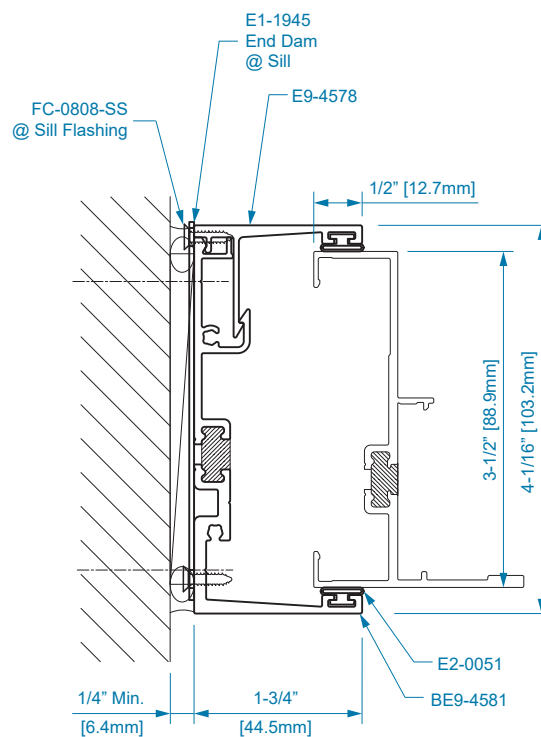
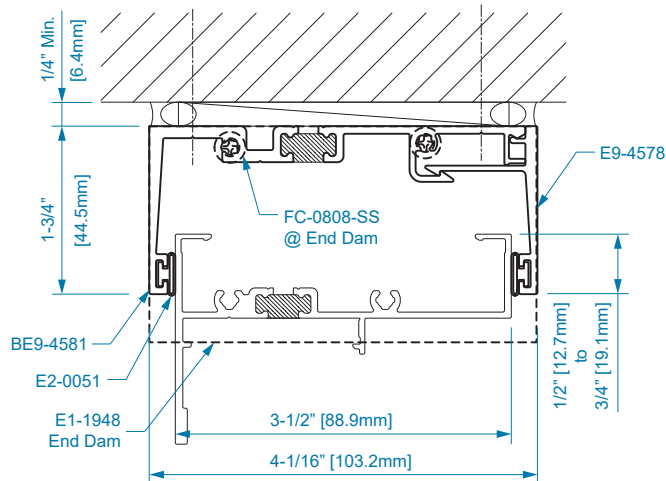
**YOW 225 / 225 H**

**YOW 225 TU / 225 TUH**



## 3-1/2" DEPTH WINDOW HEAD / JAMB RECEPTORS (YOW 350 T, YOW 350 TU, YOW 350 TUH, YOW 350 XT)

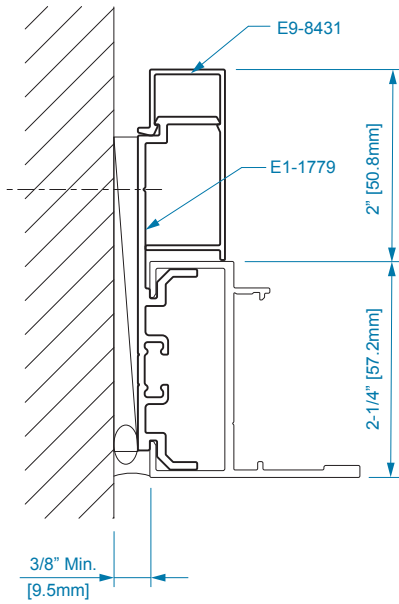
**Note:** Use 3-1/2" YOW Sill Flashing with Head & Jamb Receptors



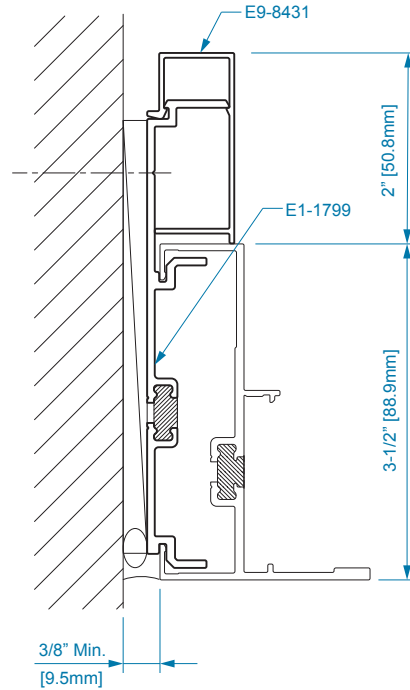


## STRAP ANCHORS (FOR WINDOW SYSTEMS LISTED BELOW)

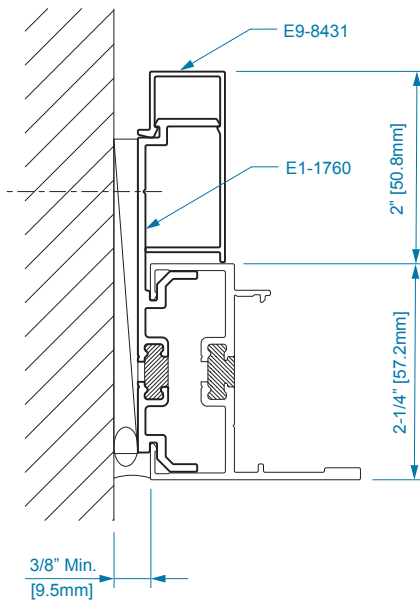
**YOW 225 / 225 H**



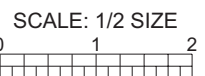
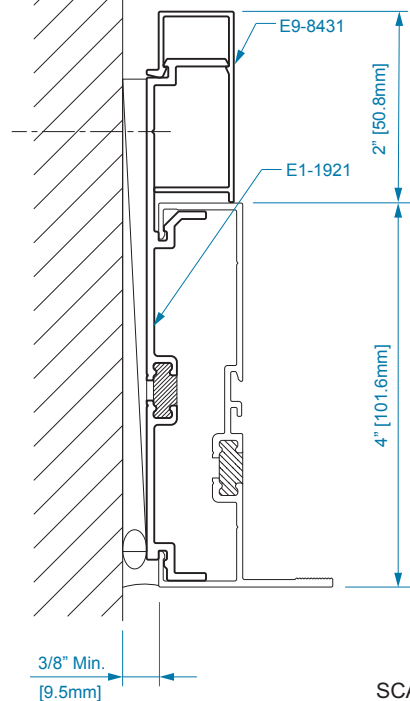
**YOW 350 T / TU / TUH**



**YOW 225 TU / TUH**

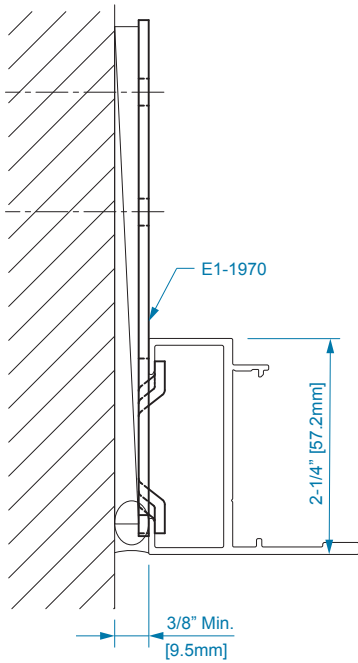


**YFW 400 TU / TUH  
YVS 400 TU  
YVS 410 TU / TUH**

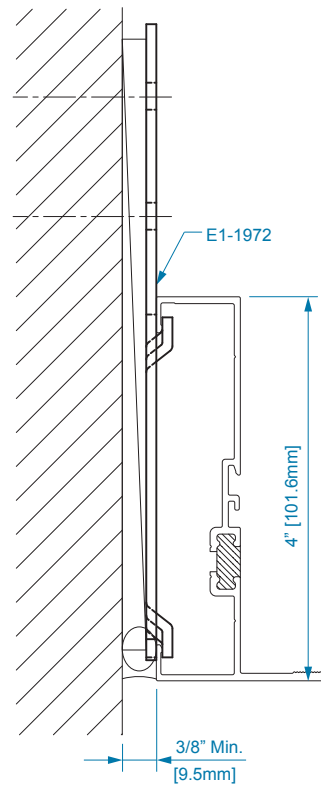


**STEEL TWIST ANCHORS - WIND ZONE 3 ONLY  
(FOR WINDOW SYSTEMS LISTED BELOW)**

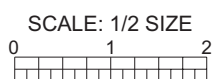
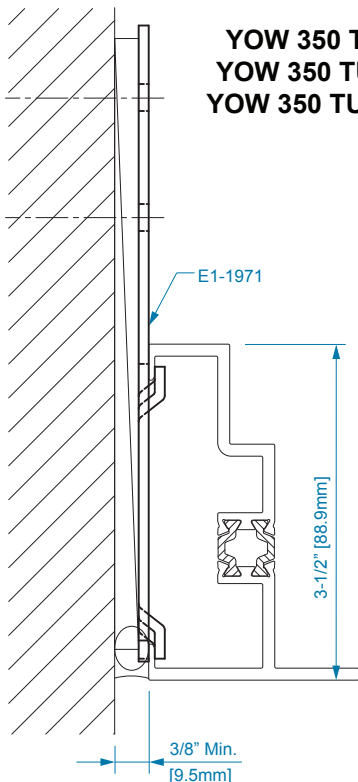
**YOW 225, YOW 225 H,  
YOW 225 TU, & YOW 225 TUH**



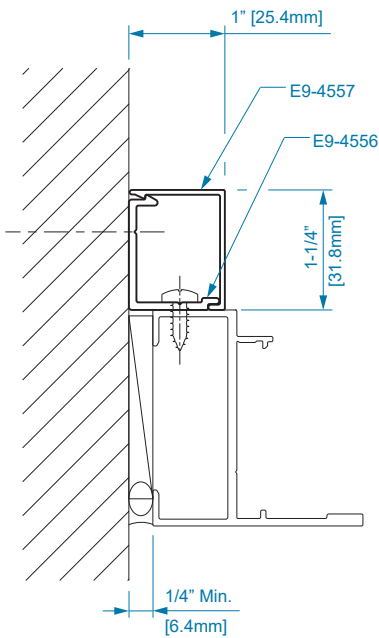
**YFW 400 TU / TUH  
YVS 400 TU  
YVS 400 TU  
YVS 410 TU / TUH**



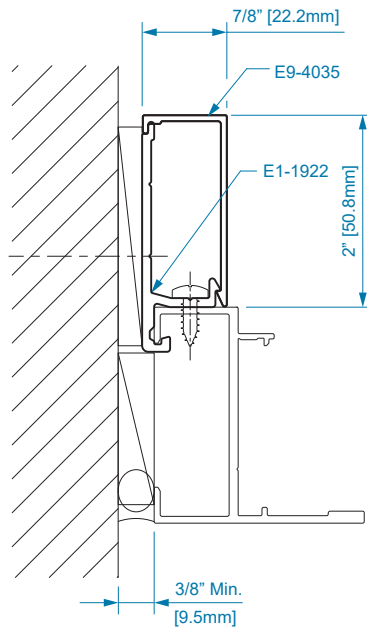
**YOW 350 T  
YOW 350 TU  
YOW 350 TUH**



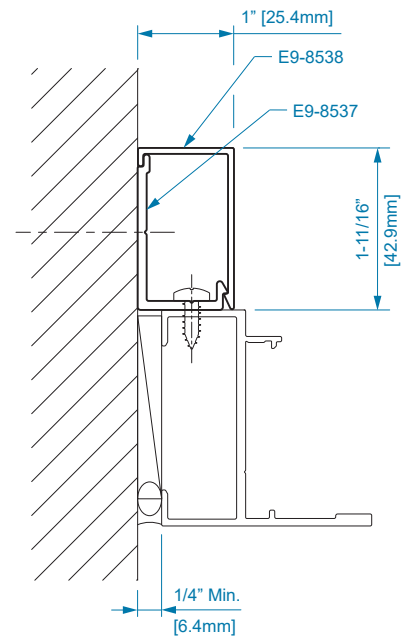
## EDGE CLIP / TRIM & CLIP ANCHOR - ALL WINDOW DEPTHS



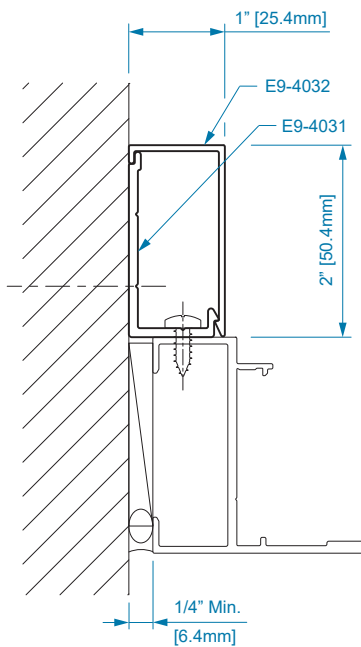
**1" x 1-1/4"  
Trim & Clip**



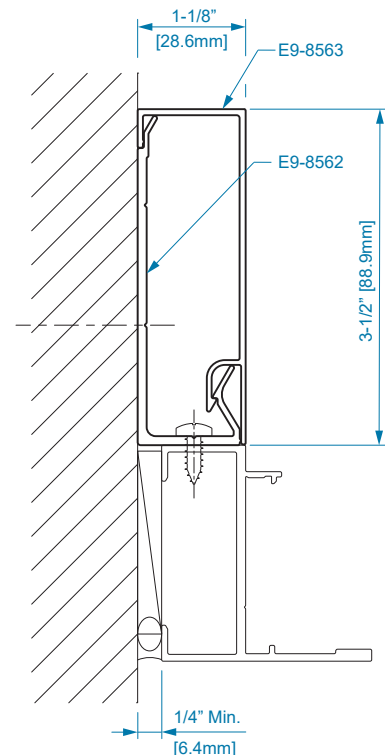
**7/8" x 2"  
Edge Clip**



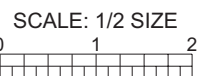
**1" x 1-11/16"  
Trim & Clip**



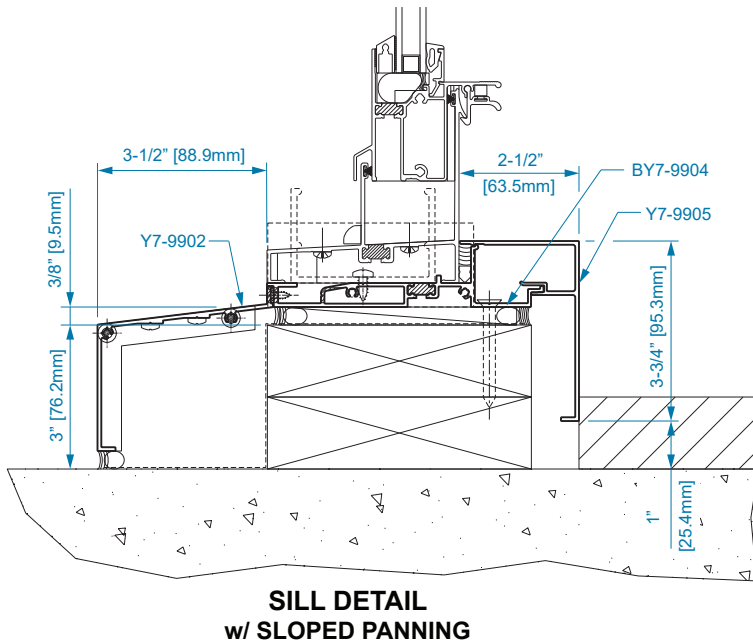
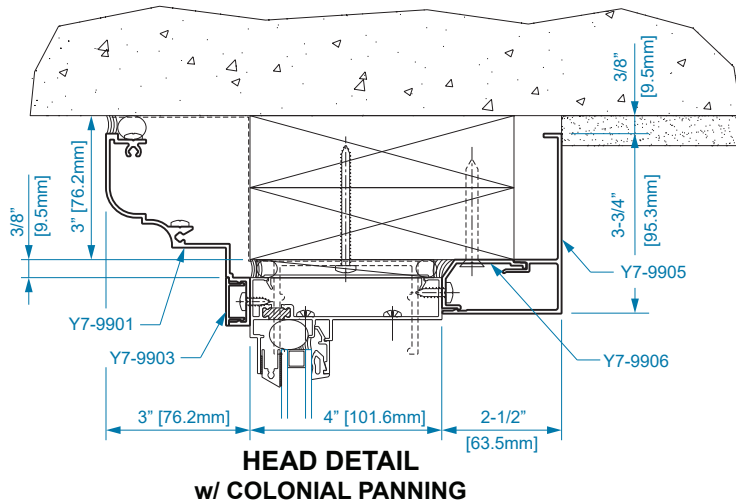
**1" x 2"  
Trim & Clip**



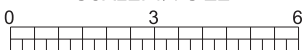
**1" x 3-1/2"  
Trim & Clip**



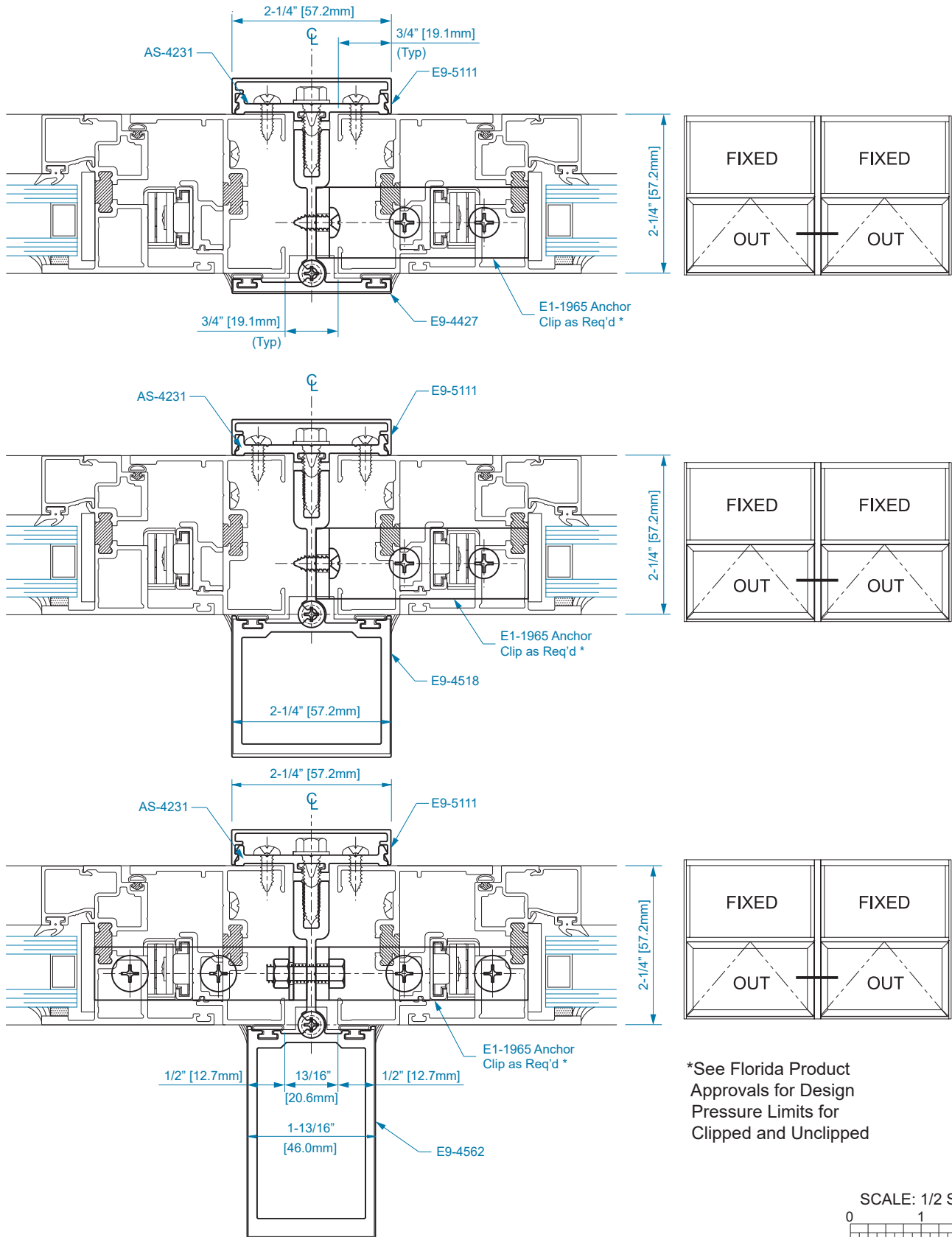
**POST SET PANNING -- CUSTOM JOBSITE EXAMPLE  
W/ YVS 410 TU**



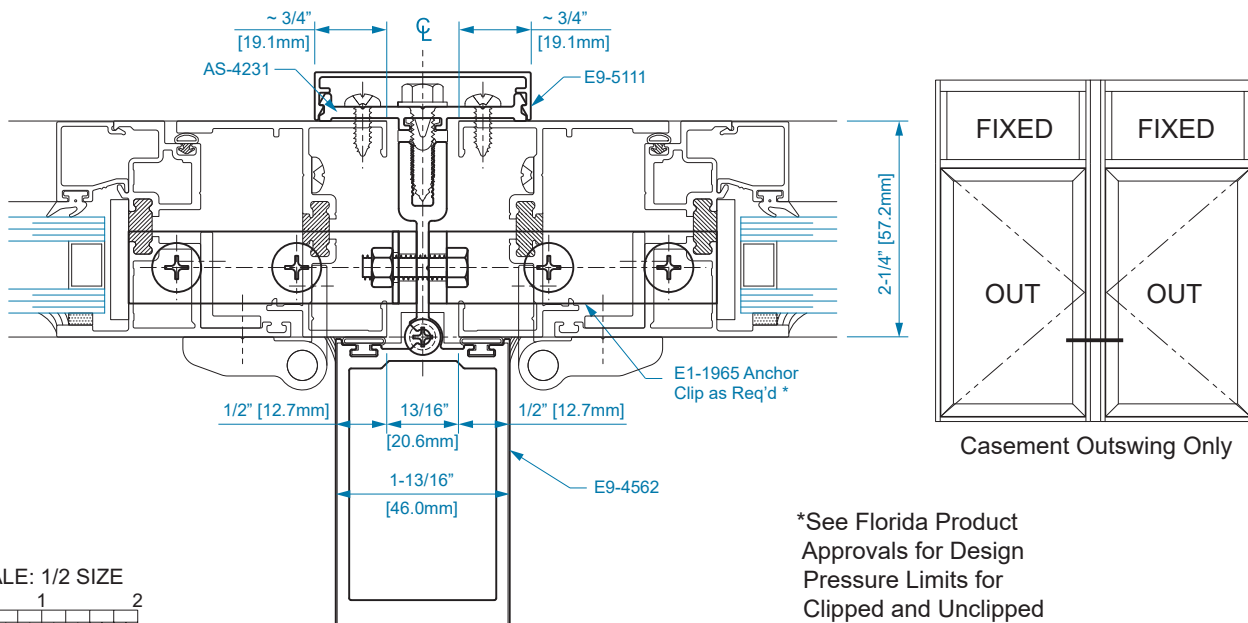
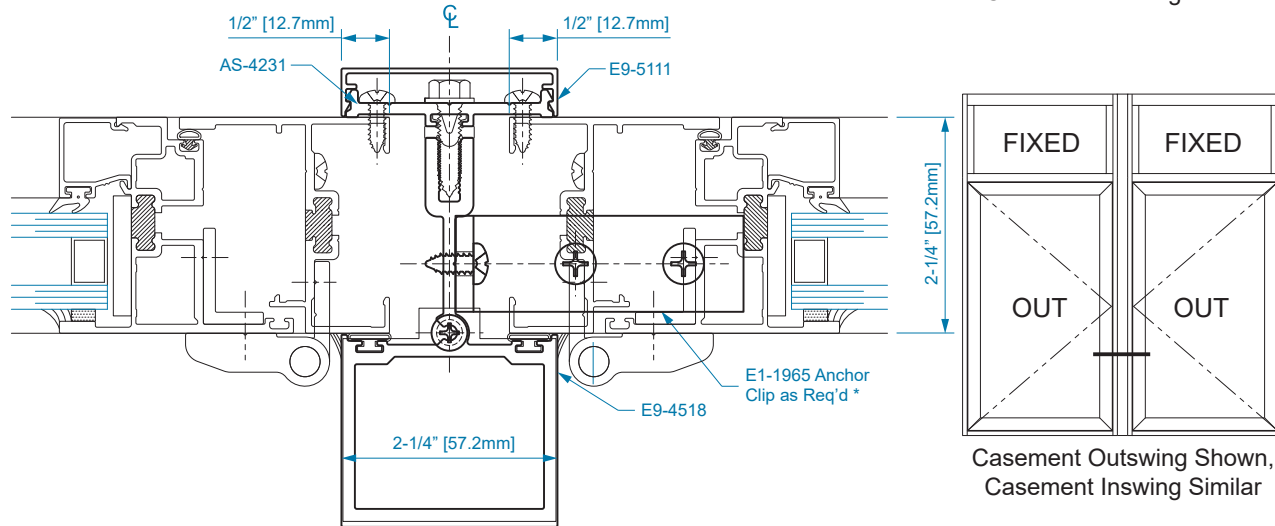
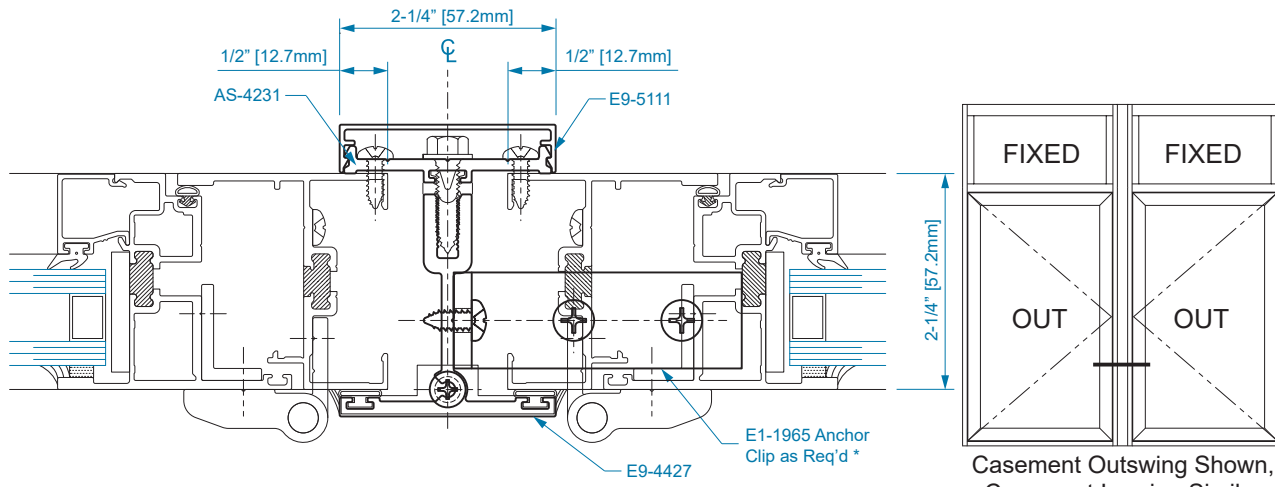
SCALE: 1/4 SIZE



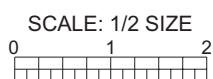
**STACKING MULLIONS - ALL 2-1/4" WINDOWS - 4 BAR HINGES**  
 Use with Sill Starters or Sill Flashing



**STACKING MULLIONS - ALL 2-1/4" WINDOWS - BUTT HINGES**  
Use with Sill Starters or Sill Flashing

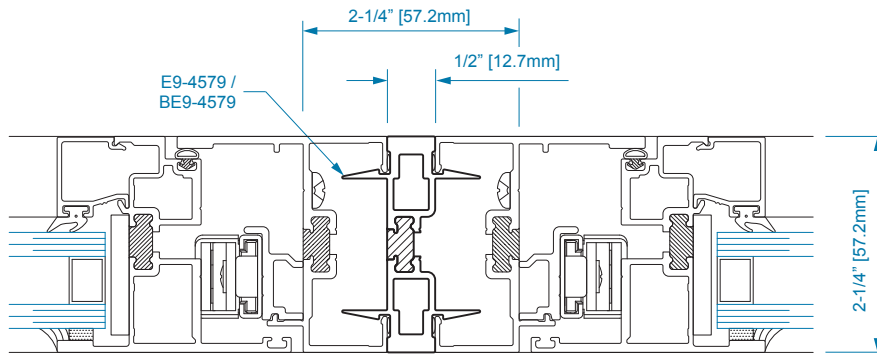


\*See Florida Product Approvals for Design Pressure Limits for Clipped and Unclipped

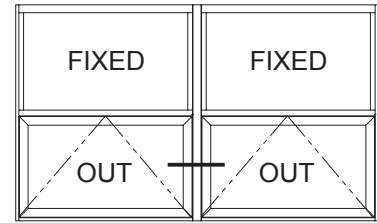


## “I”-MULLIONS - ALL 2-1/4” WINDOWS

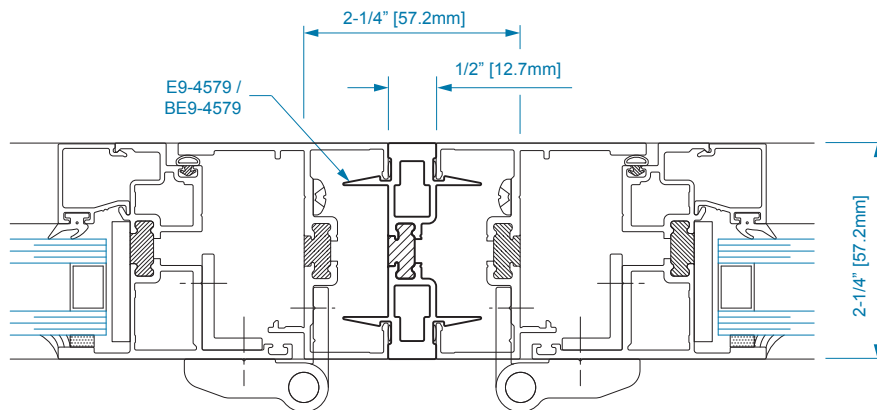
Typical Application: Low Design Pressures and Small to Medium Window Height  
Use with Sill Starters or Sill Flashing



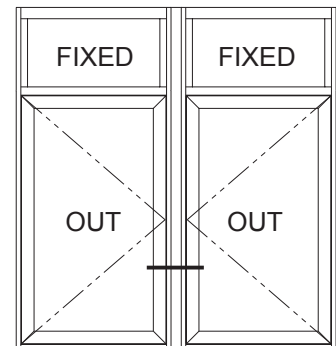
**4-BAR HINGES**



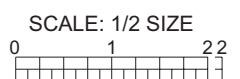
Project Out Shown,  
Project In Similar



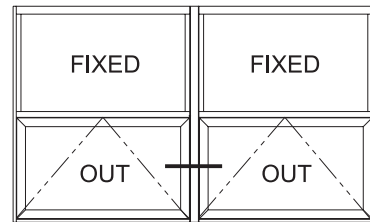
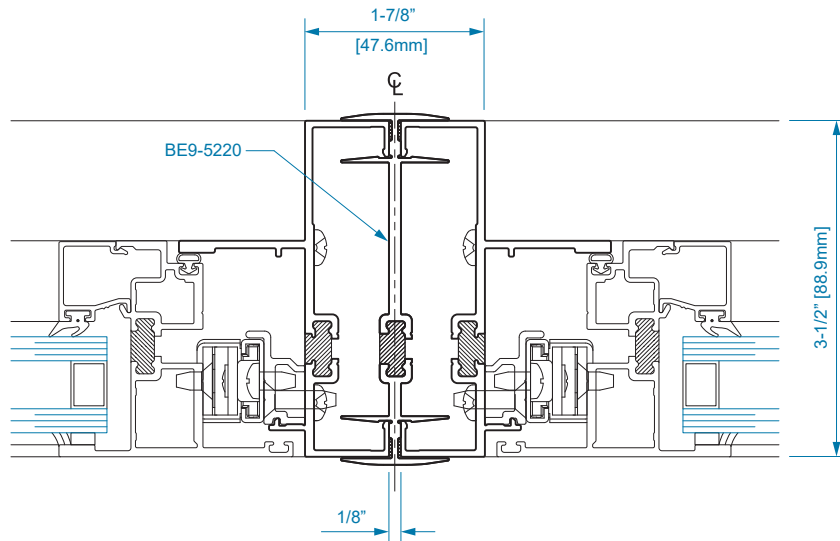
**BUTT HINGES**



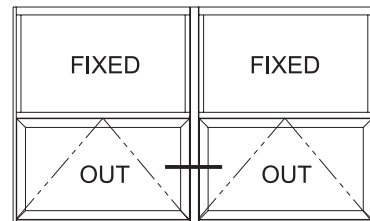
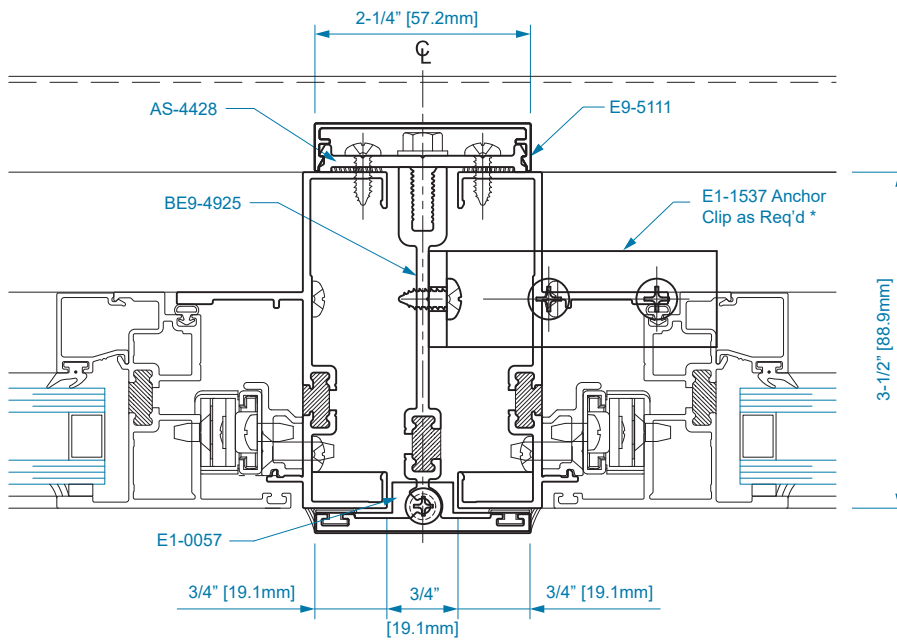
Casement Outswing Shown,  
Casement Inswing Similar



**MULLION OPTIONS - ALL 3-1/2" WINDOWS - 4-BAR HINGES**  
Use with Sill Starters or Sill Flashing

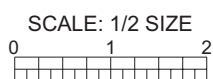


**YOW 350 T, YOW 350 TU/TUH  
& YOW 350 XT**

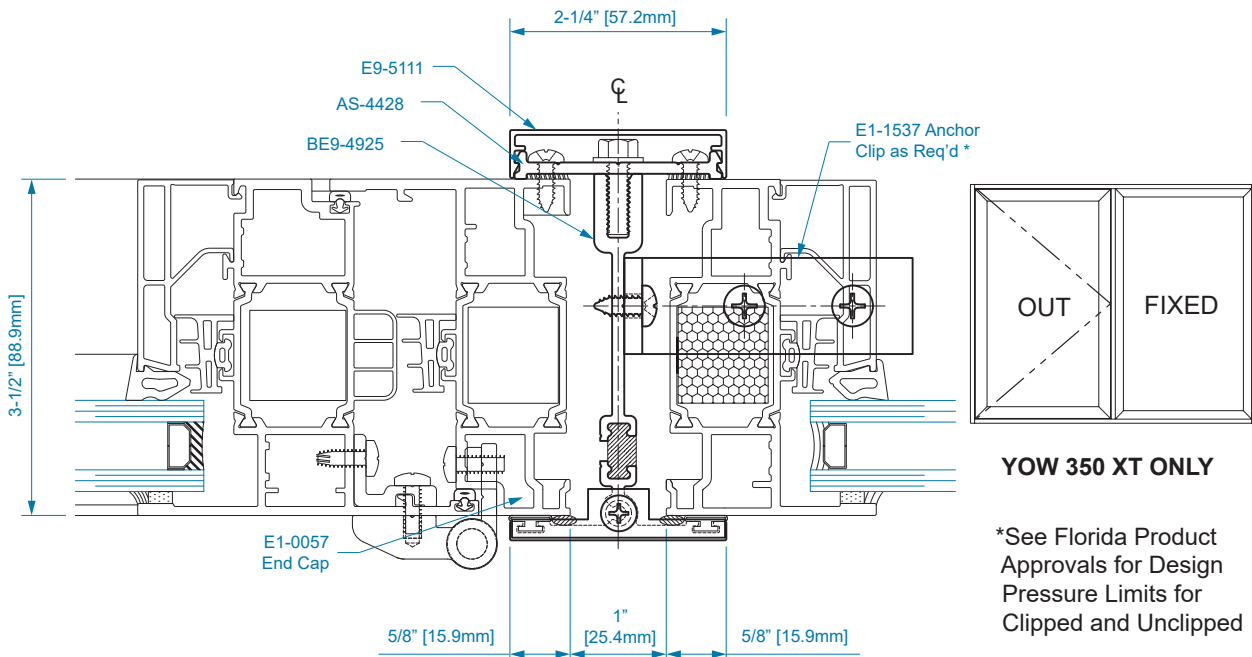
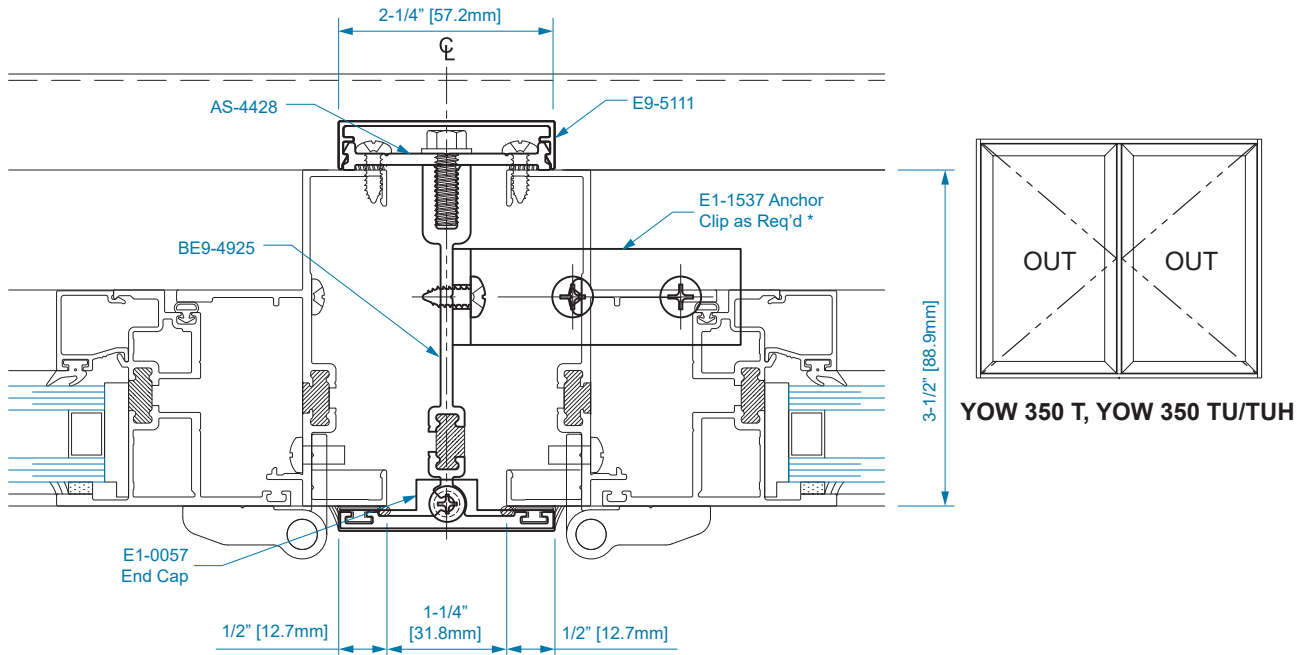


**YOW 350 T, YOW 350 TU/TUH  
& YOW 350 XT**

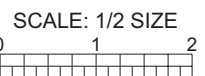
\*See Florida Product Approvals for Design Pressure Limits for Clipped and Unclipped



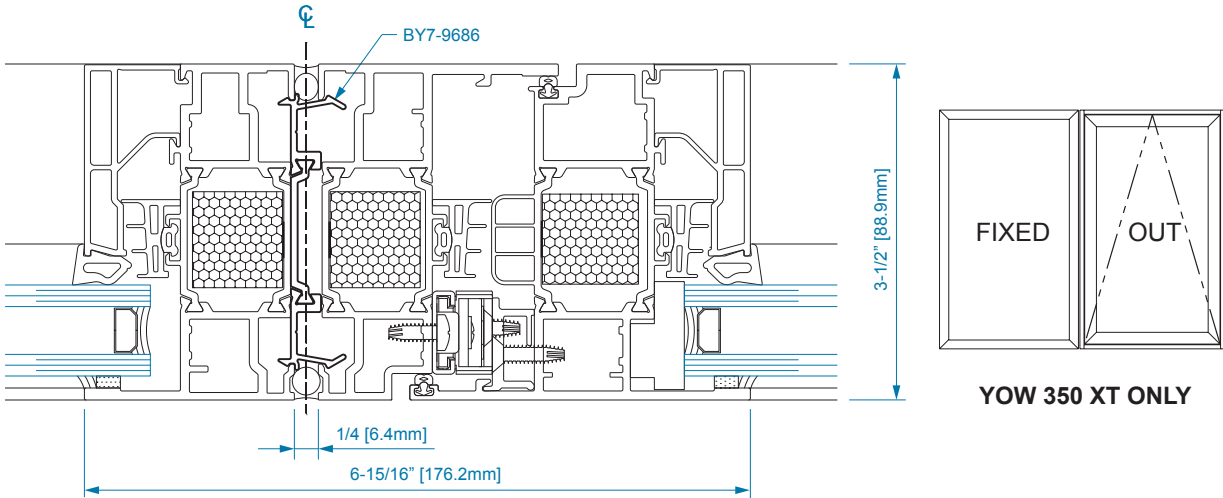
**MULLION OPTIONS - ALL 3-1/2" WINDOWS - BUTT HINGES**  
 Use with Sill Starters or Sill Flashing



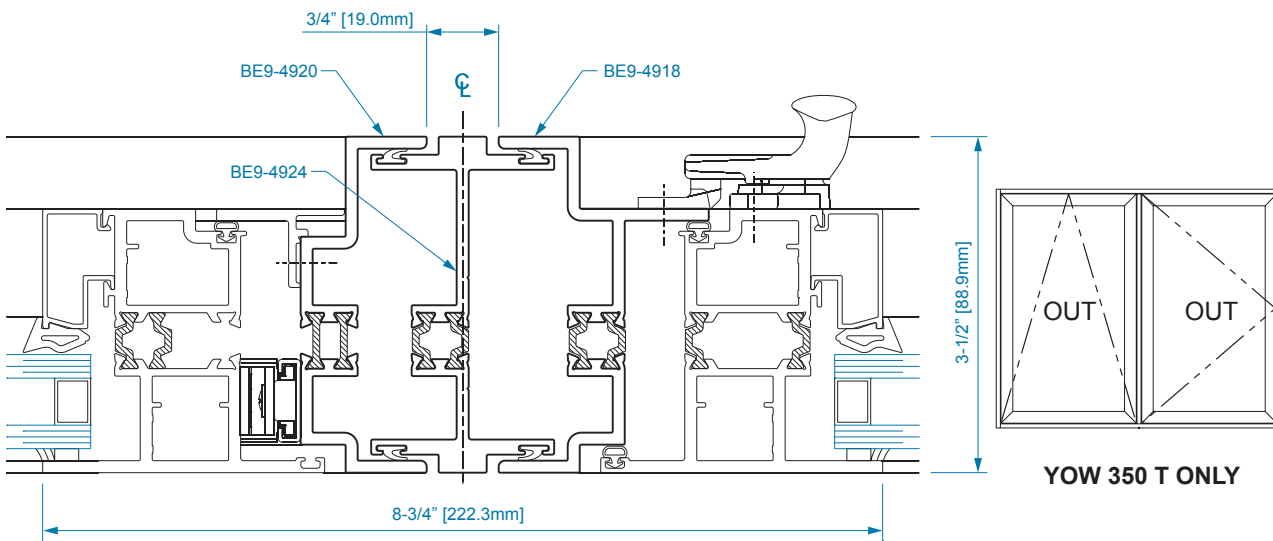
\*See Florida Product Approvals for Design Pressure Limits for Clipped and Unclipped



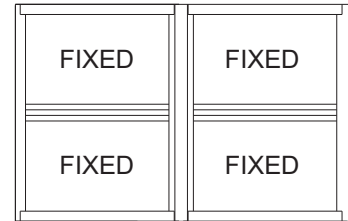
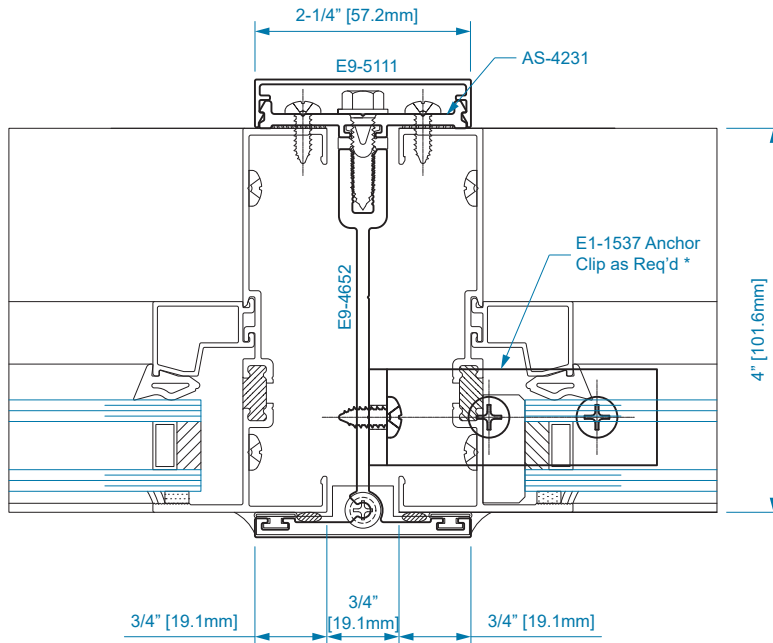
**MULLION CLIP - YOW 350 XT ONLY**  
Use with Sill Starters or Sill Flashing



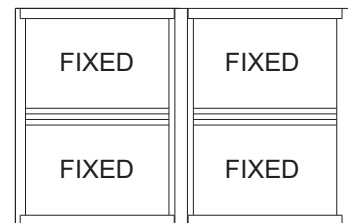
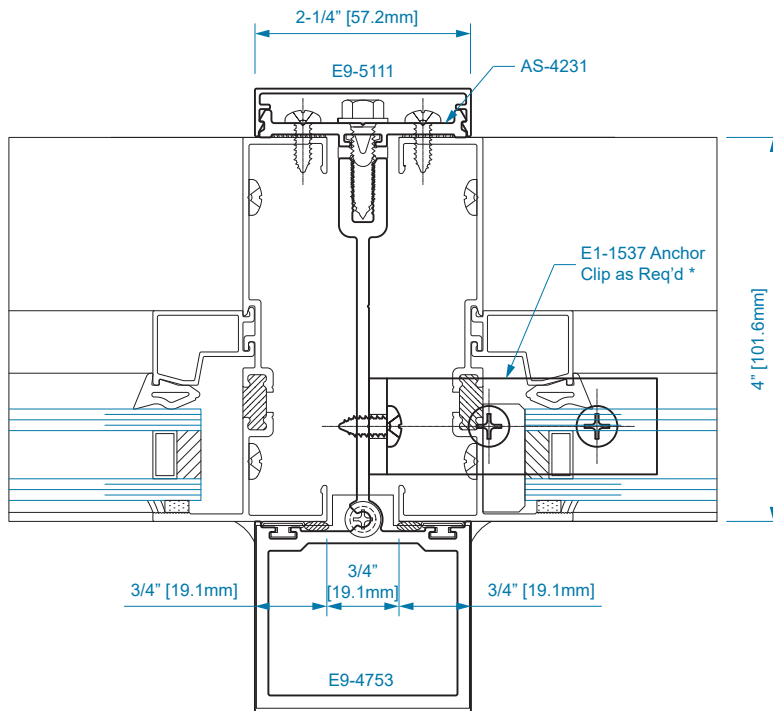
**EXPANSION MULLION - YOW 350 T ONLY**  
Use with Sill Starters or Sill Flashing



**MULLION OPTIONS - ALL 4" WINDOWS**  
Use with Sill Starters or Sill Flashing

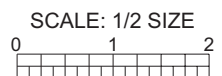


**YFW 400 TU SHOWN,  
OTHERS SIMILAR**

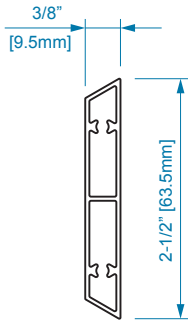


**YFW 400 TU SHOWN,  
OTHERS SIMILAR**

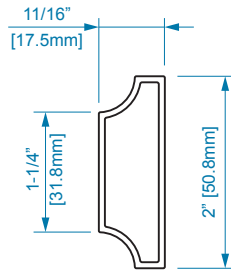
\*See Florida Product Approvals for Design Pressure Limits for Clipped and Unclipped



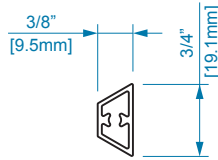
## MUNTIN GRID OPTIONS



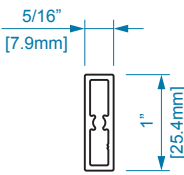
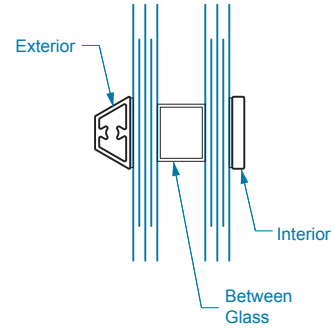
**E9-4053**



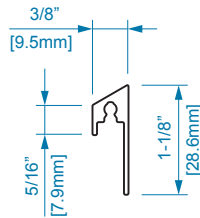
**E9-8582**



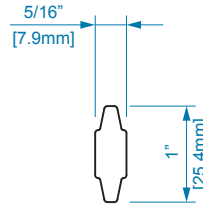
**E9-4052**



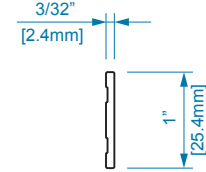
**E9-8118**



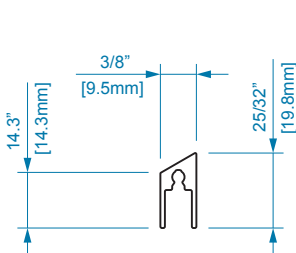
**E9-8464**



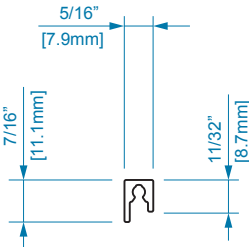
**E8-9007**



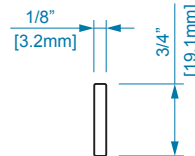
**E9-9351**



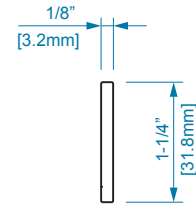
**E9-4051**



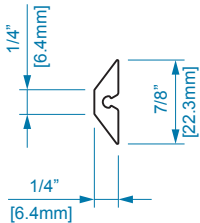
**E9-8117**



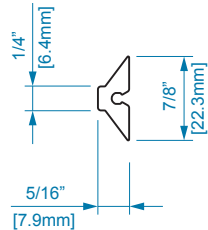
**Y7-9460**



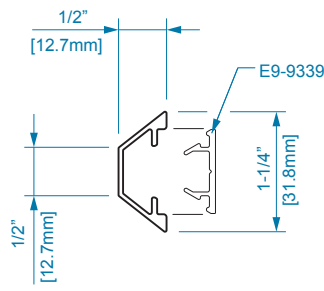
**E9-9356**



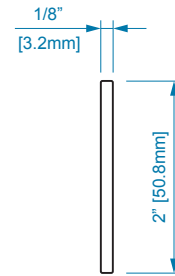
**E8-9093**



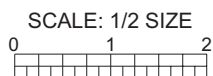
**E8-9095**



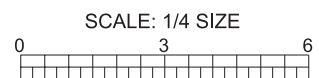
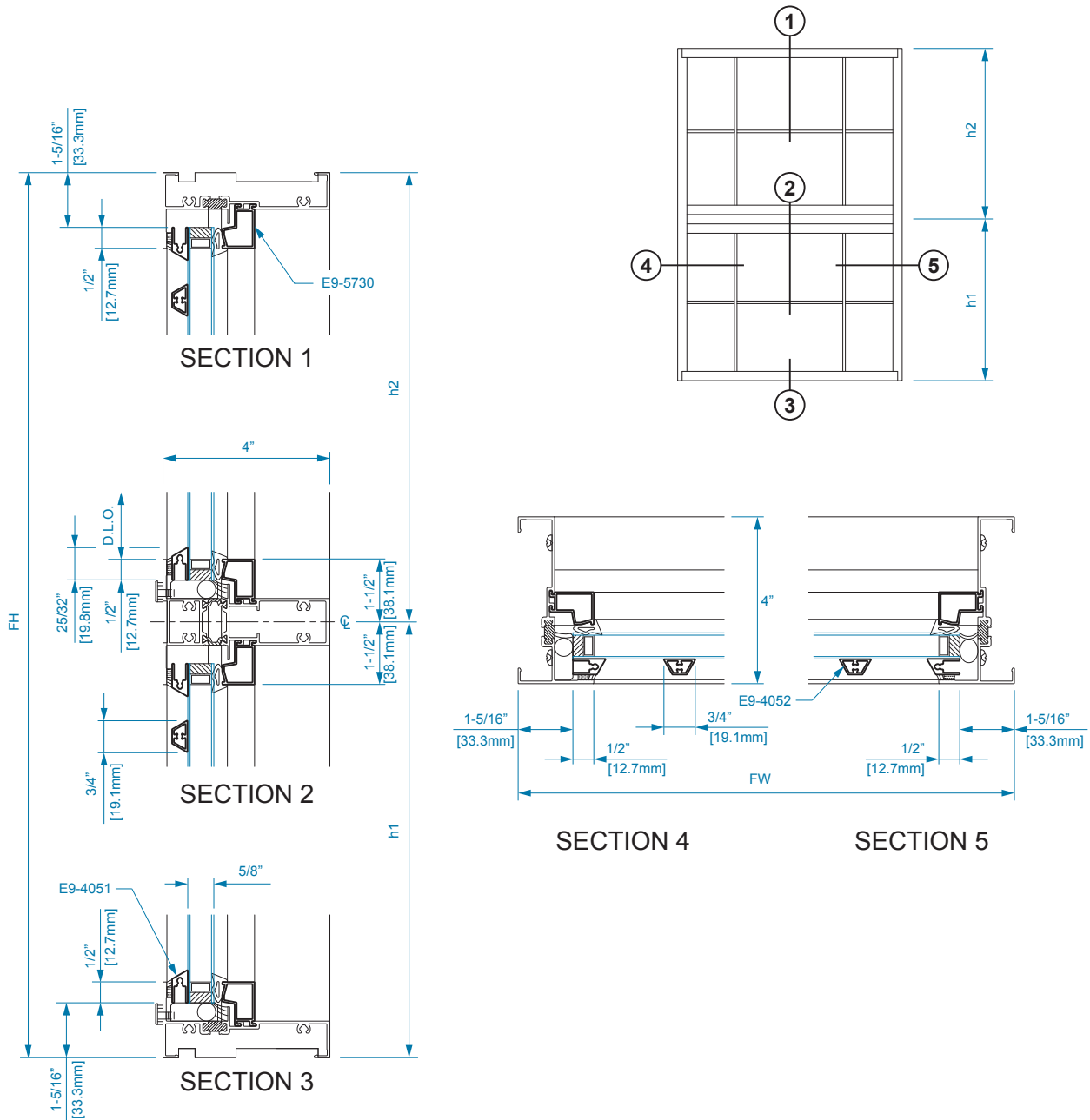
**E9-8985**



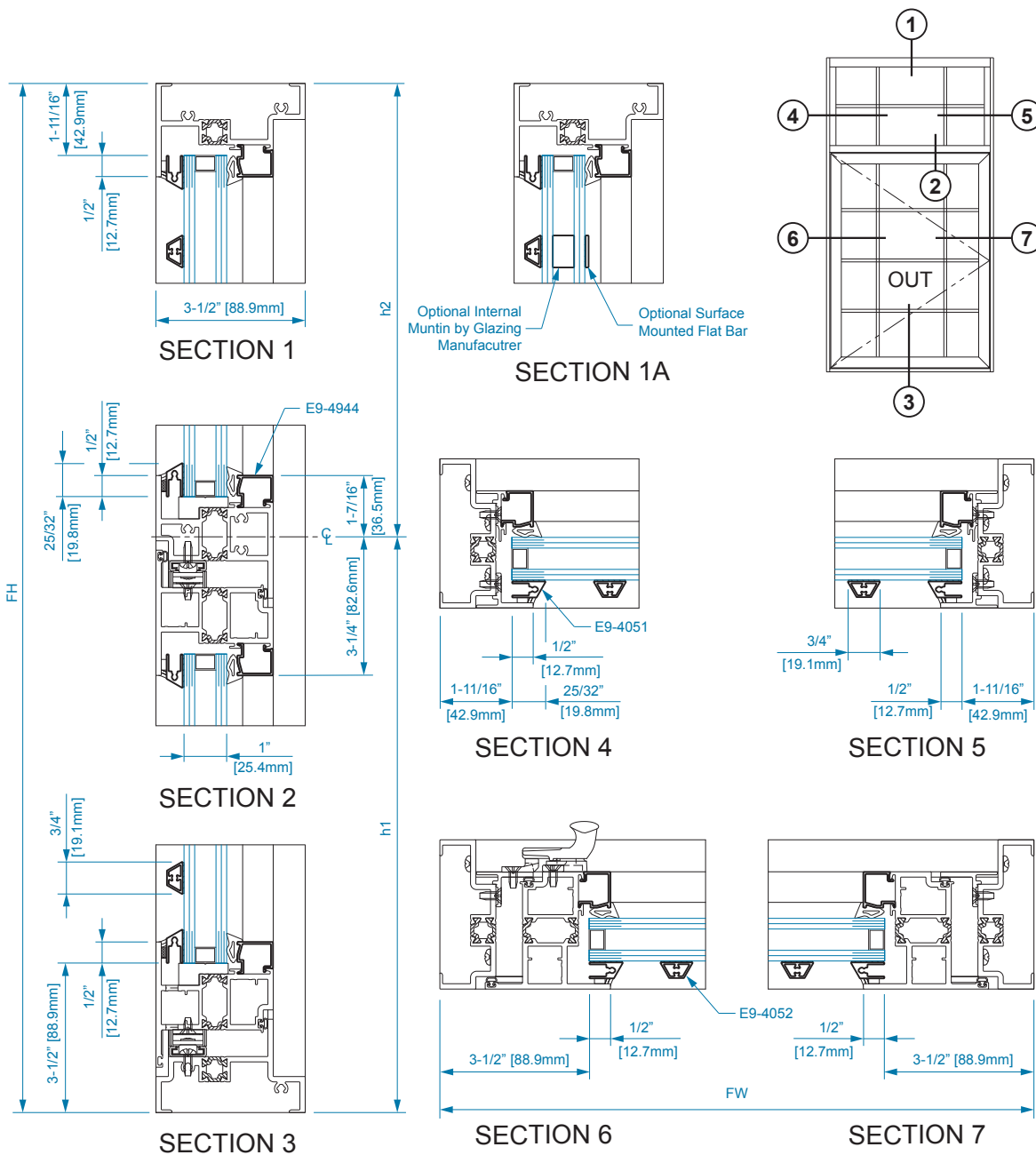
**E8-9260**



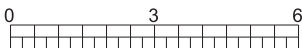
## MUNTIN GRID EXAMPLE - YFW 400 TU



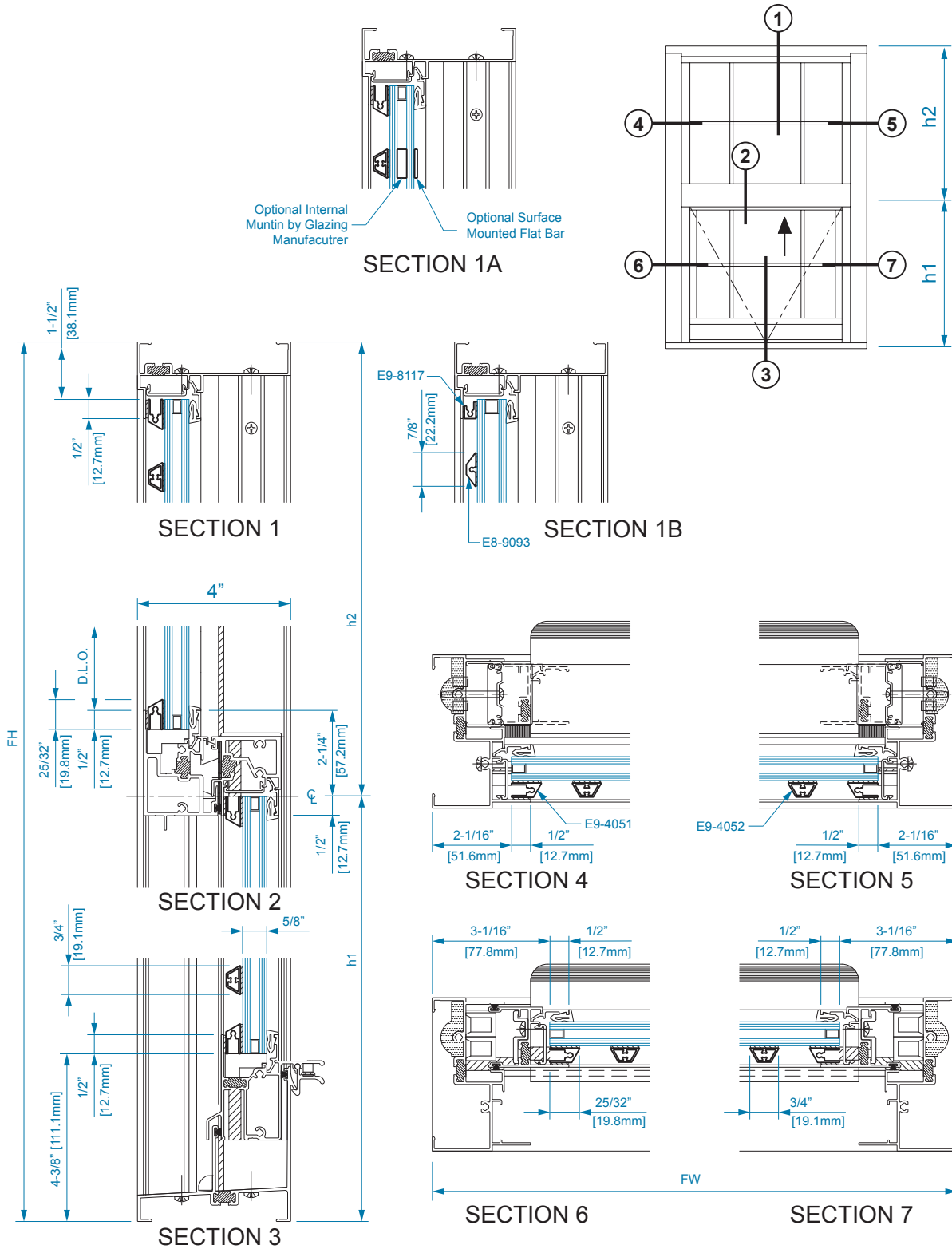
## MUNTIN GRID EXAMPLE - YOW 350 T



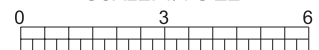
SCALE: 1/4 SIZE



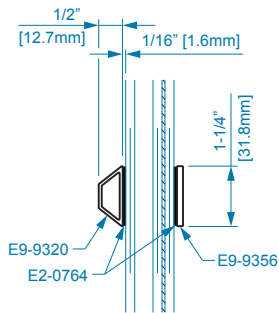
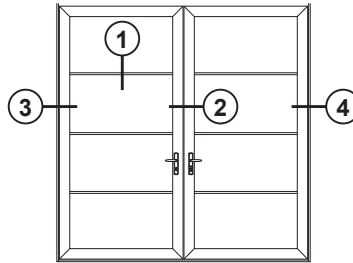
## MUNTIN GRID EXAMPLE - YVS 400 TU



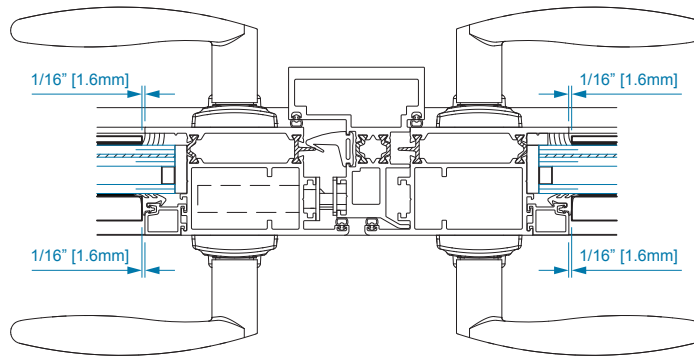
SCALE: 1/4 SIZE



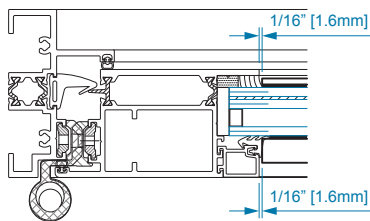
**MUNTIN GRID EXAMPLE - YTD 350 TH**



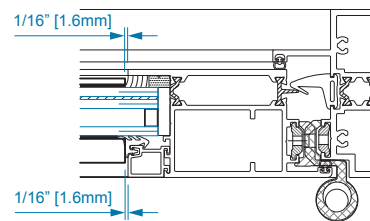
**SECTION 1**



**SECTION 2**

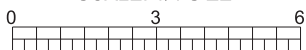


**SECTION 3**

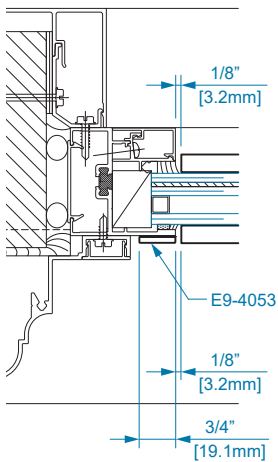
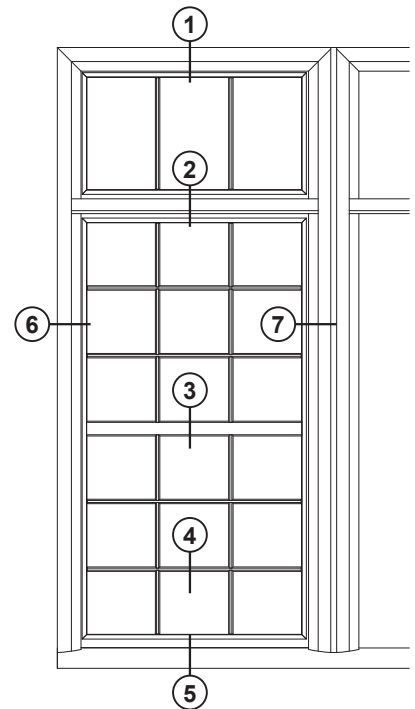
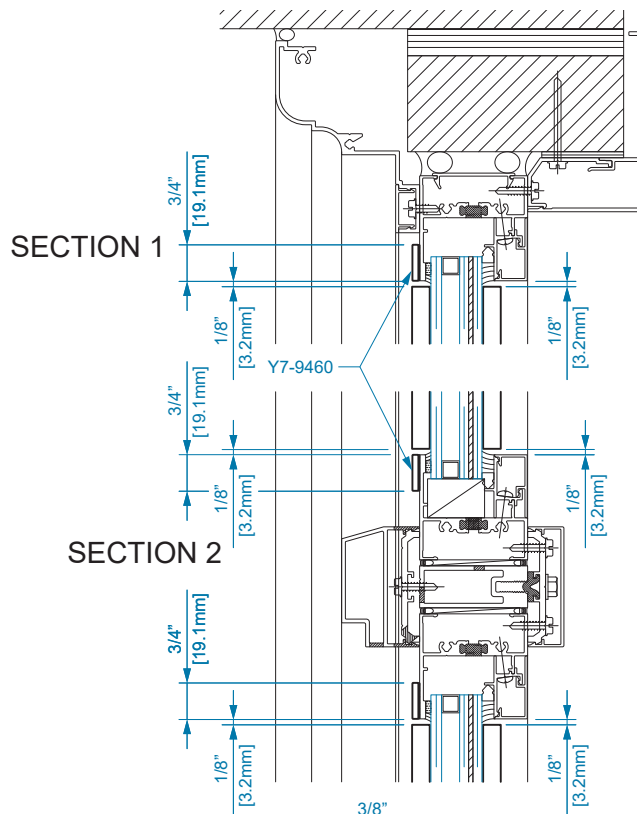


**SECTION 4**

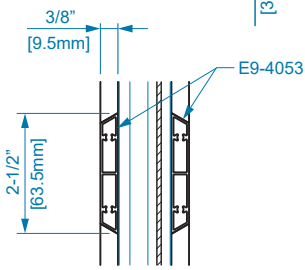
SCALE: 1/4 SIZE



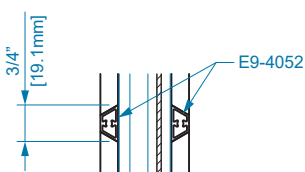
CUSTOM MUNTIN GRID EXAMPLE - YOW 225 TU



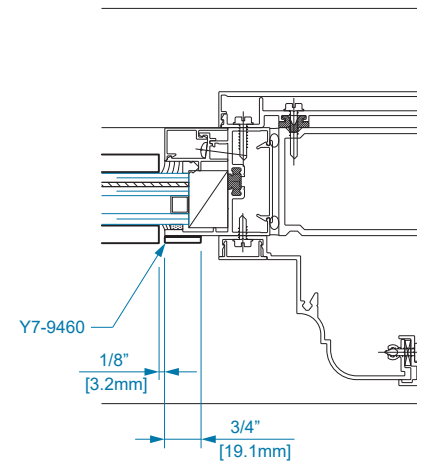
SECTION 6



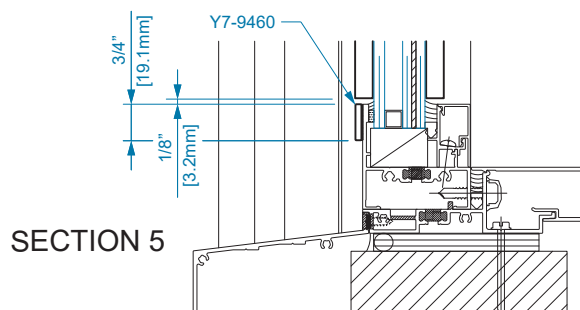
SECTION 3



SECTION 4



SECTION 7



SECTION 5

