

TABLE OF CONTENTS

YUW 750 XT/XTH UNITIZED CURTAIN WALL SYSTEM

PICTORIAL VIEW..... Page 2 & 3

TYPICAL MID ANCHORS..... Page 4

YUW 750 XT NON-IMPACT SYSTEM..... Page 5

- Standard 7-1/2” Framing Members - Captured..... Page 5
- 7-1/2” Corner Framing Members - Captured Page 6
- Standard 6” Framing Members - Captured Page 7
- 6” Corner Framing Members - Captured..... Page 8
- Standard 7-1/2” Framing Members - 4-Side SSG Page 9
- 7-1/2” Corner Framing Members - 4-Side SSG..... Page 10
- Standard 6” Framing Members - 4-Side SSG..... Page 11
- 6” Corner Framing Members - 4-Side SSG Page 12

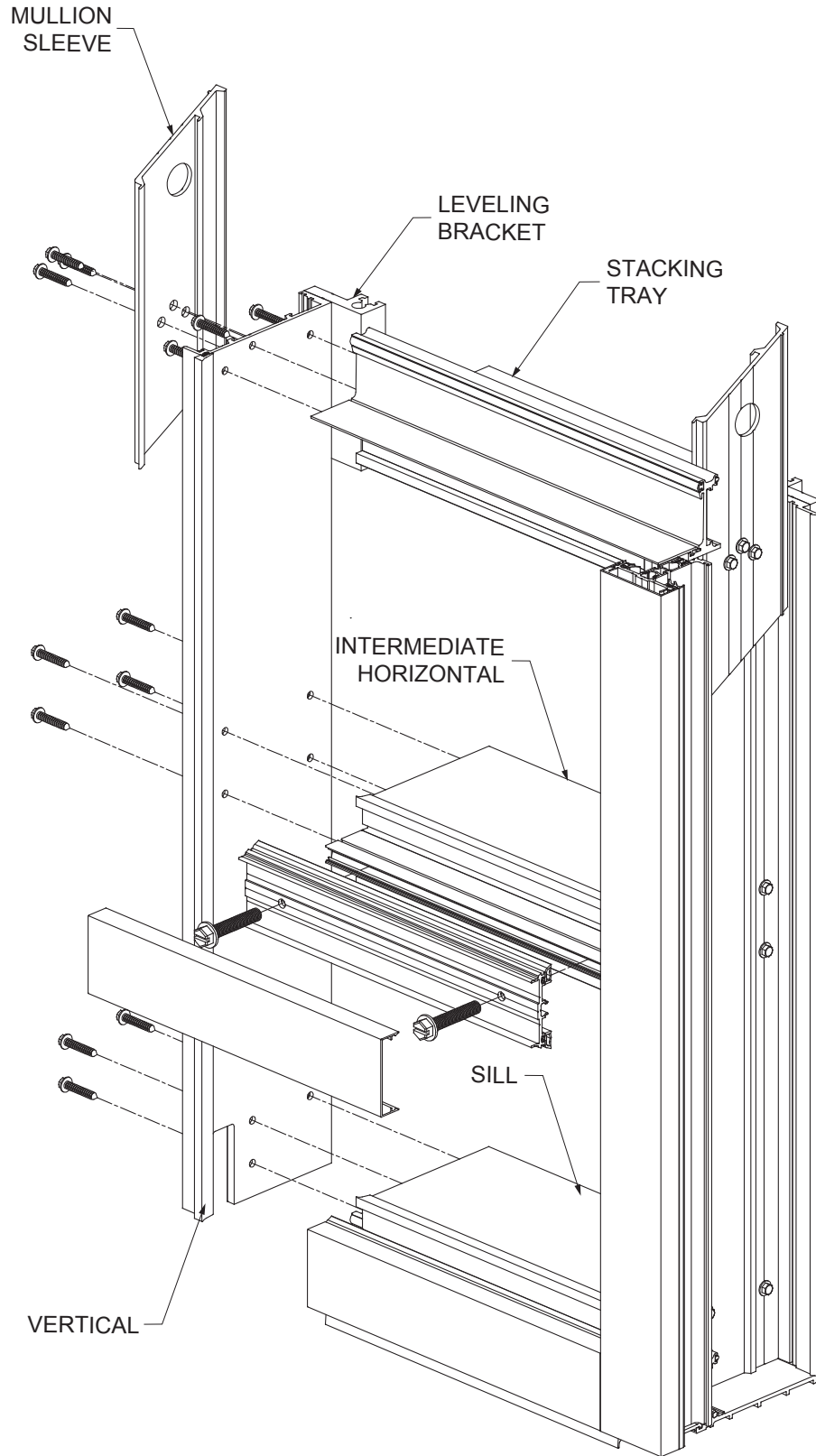
YUW 750 XTH IMPACT SYSTEM..... Page 13

- Standard 7-1/2” Framing Members - Captured..... Page 13
- 7-1/2” Corner Framing Members - Captured Page 14
- Standard 6” Framing Members - Captured Page 15
- 6” Corner Framing Members - Captured..... Page 16
- Standard 7-1/2” Framing Members - 4-Side SSG Page 17
- 7-1/2” Corner Framing Members - 4-Side SSG..... Page 18
- Standard 6” Framing Members - 4-Side SSG..... Page 19
- 6” Corner Framing Members - 4-Side SSG Page 20

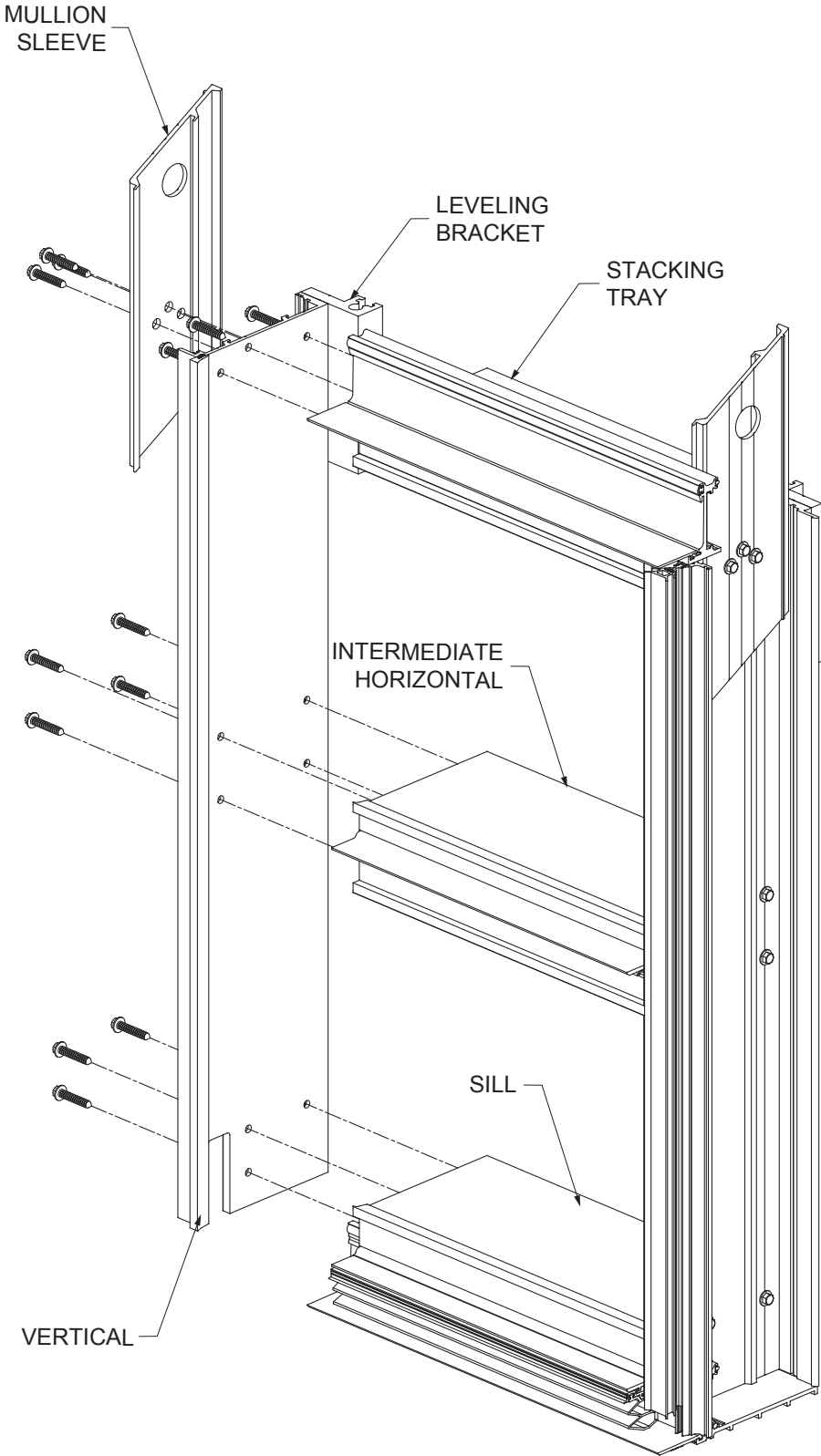
WIND LOAD CHARTS..... Page 21

*The latest installation instructions for this product are available at www.ykkap.com.

PICTORIAL OF 4-SIDE CAPTURED

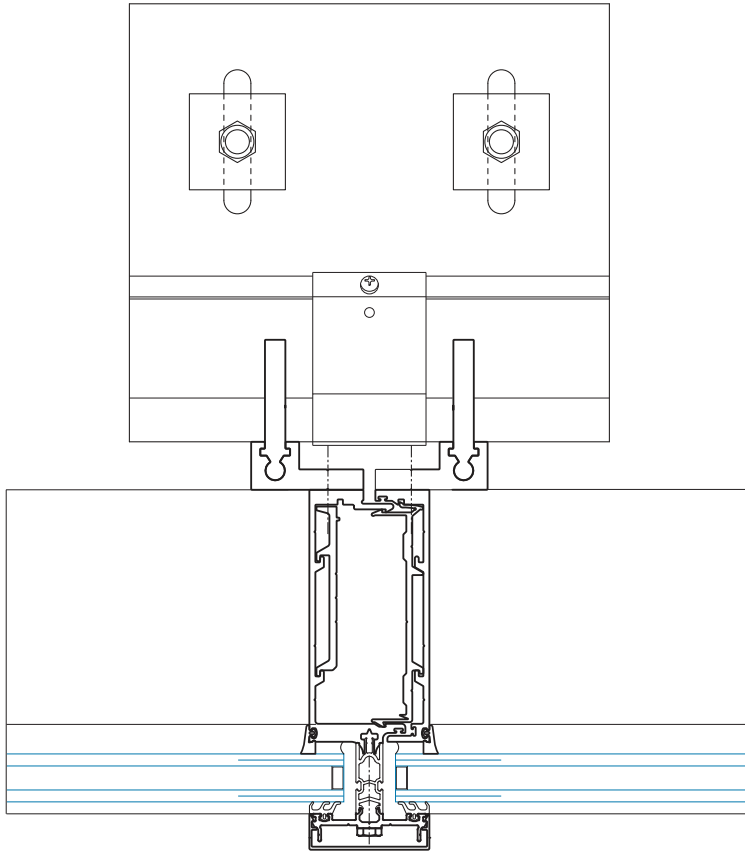


PICTORIAL OF 4-SIDE SSG

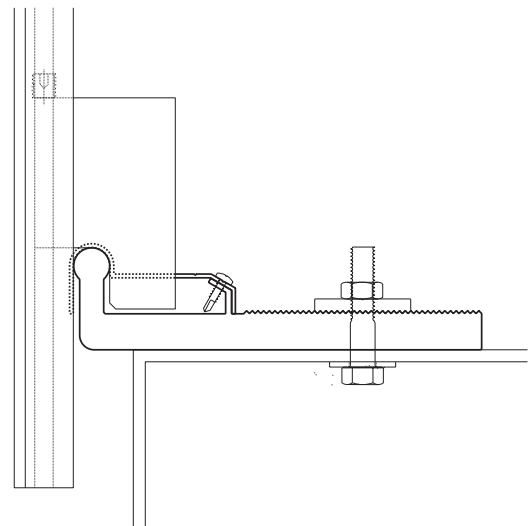
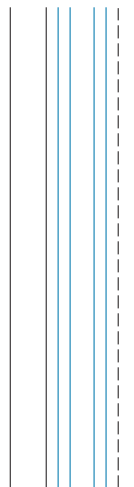


TYPICAL DEAD LOAD ANCHOR

TOP OF SLAB CONDITION

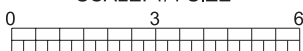


TOP OF SLAB CONDITION

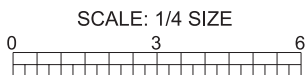
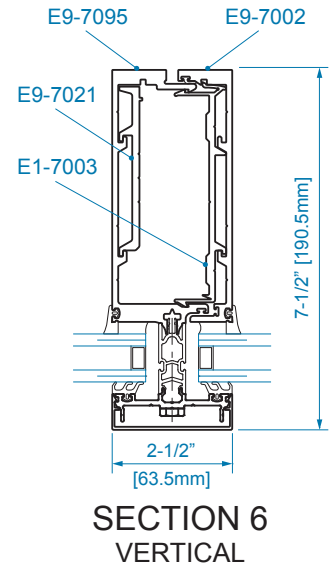
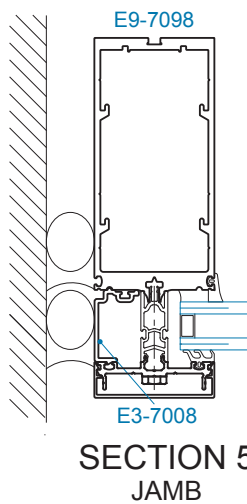
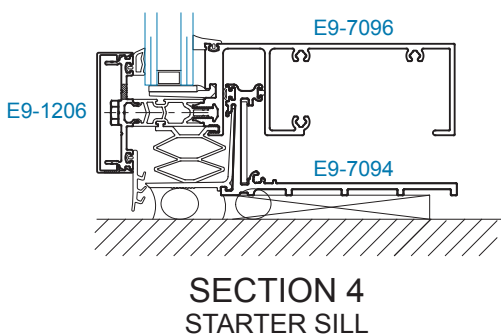
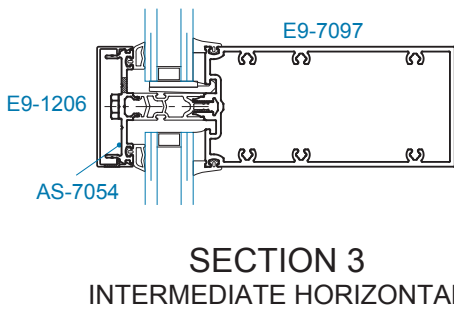
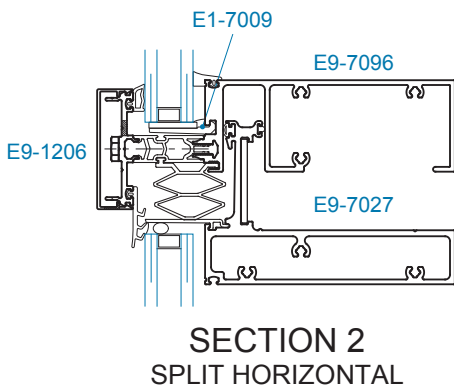
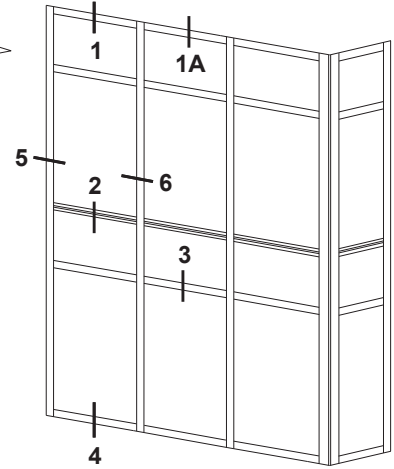
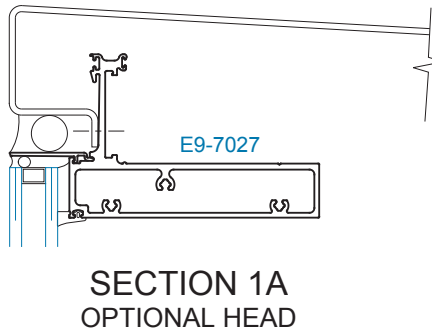
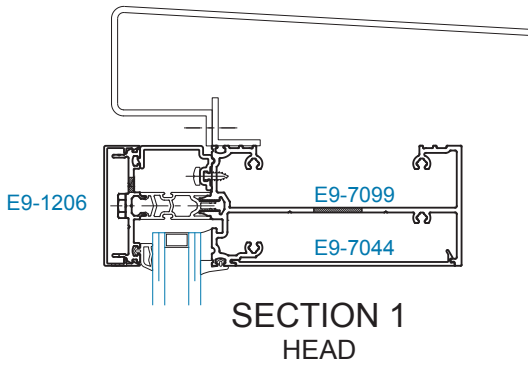


TOP OF SLAB CONDITION (SIDE VIEW)

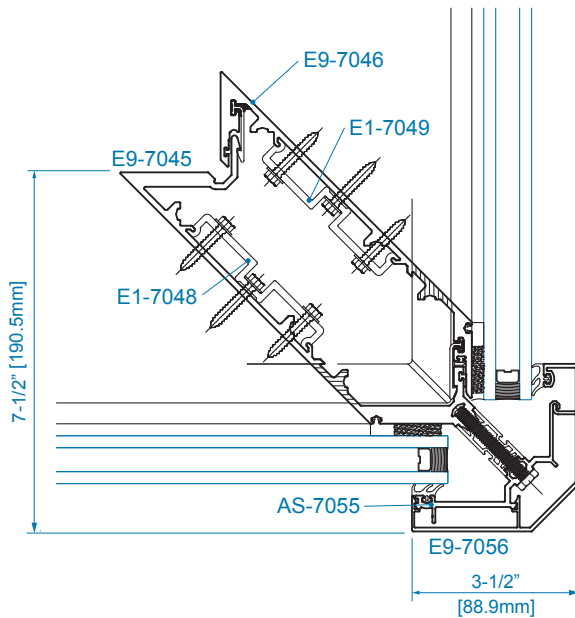
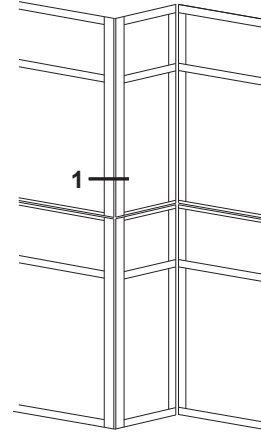
SCALE: 1/4 SIZE



STANDARD 7-1/2" FRAMING MEMBERS - CAPTURED

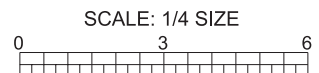


7-1/2" CORNER FRAMING MEMBERS - CAPTURED

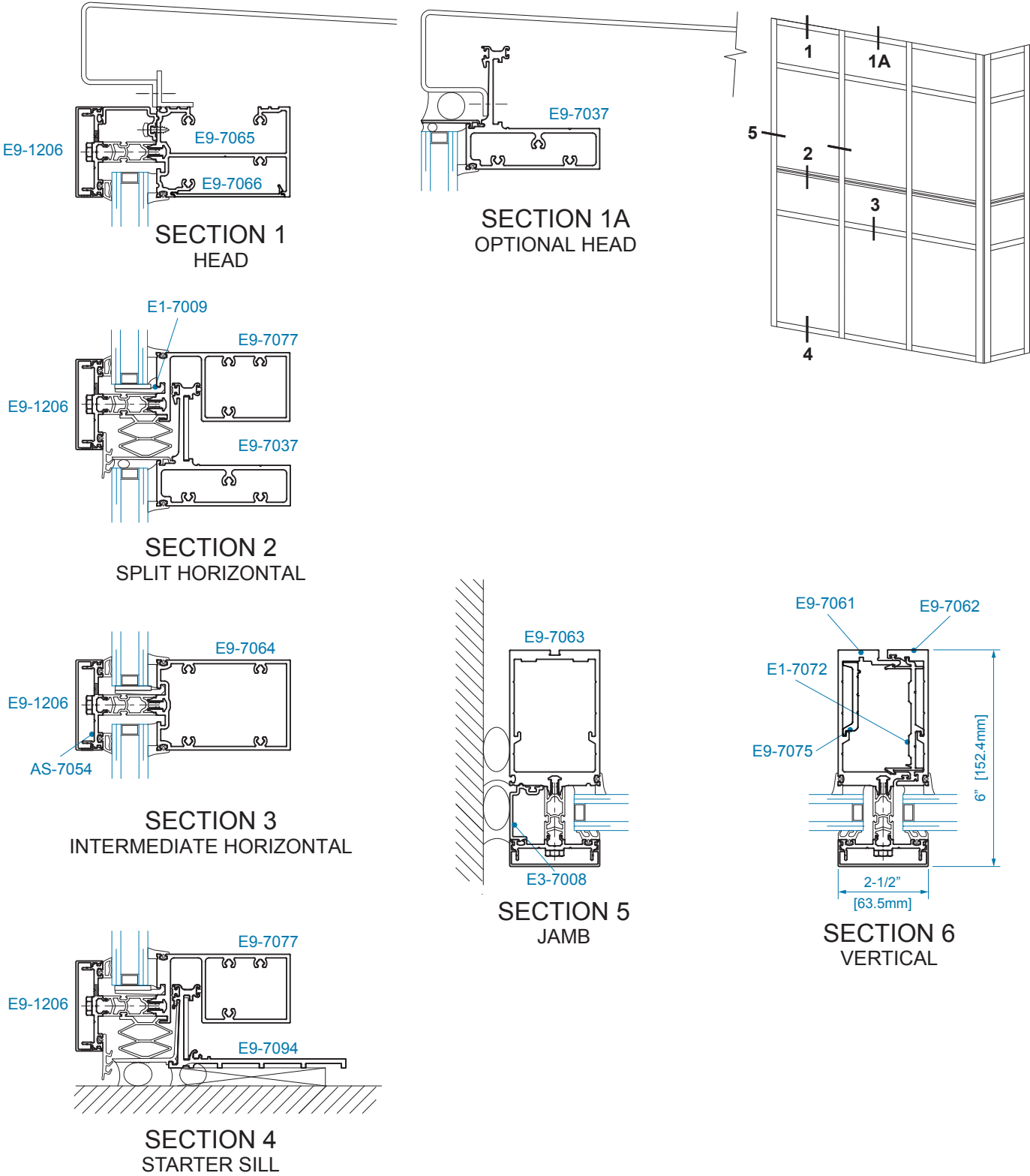


SECTION 1
90° Outside Captured
Corner Mullion

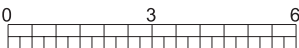
Note: 90° Inside Corner not available for captured mullion. Use SSG inside corner instead.



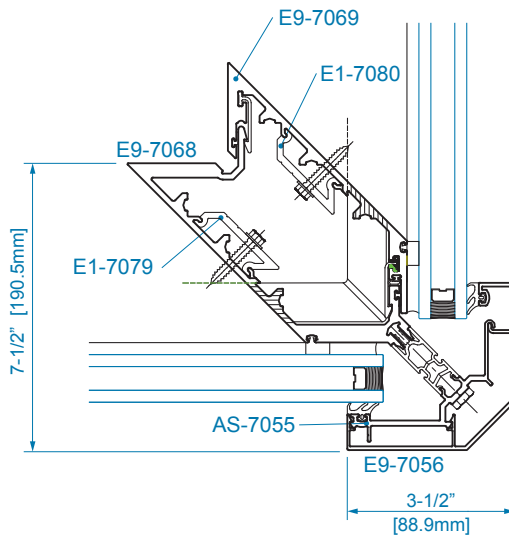
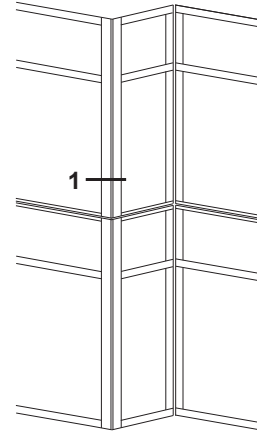
STANDARD 6" FRAMING MEMBERS - CAPTURED



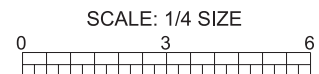
SCALE: 1/4 SIZE



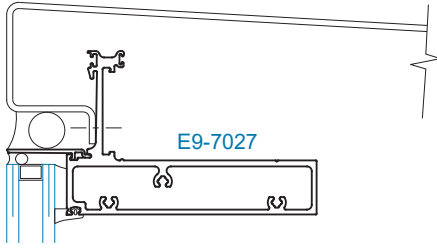
6" CORNER FRAMING MEMBERS - CAPTURED



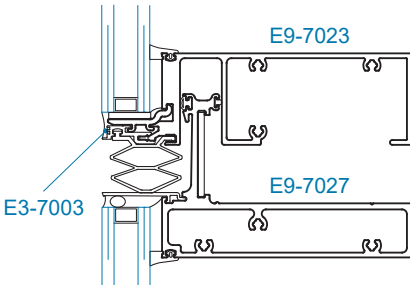
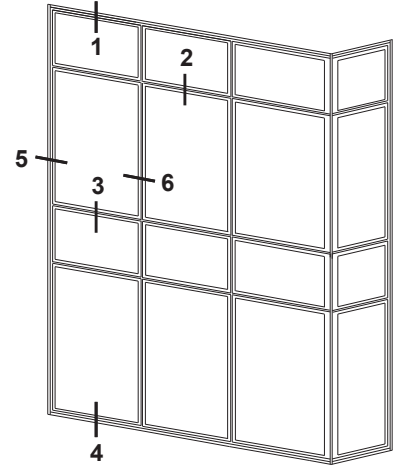
SECTION 1
90° Outside Captured
Corner Mullion



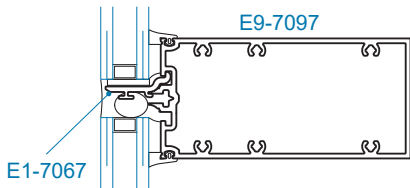
STANDARD 7-1/2" FRAMING MEMBERS - 4 SIDE SSG



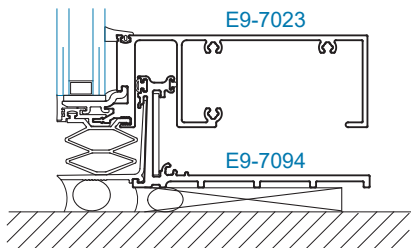
SECTION 1
HEAD



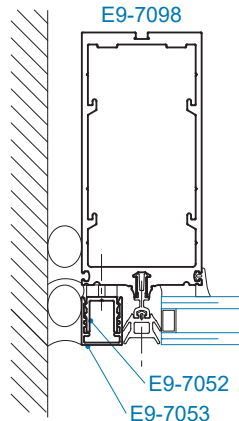
SECTION 2
SPLIT HORIZONTAL



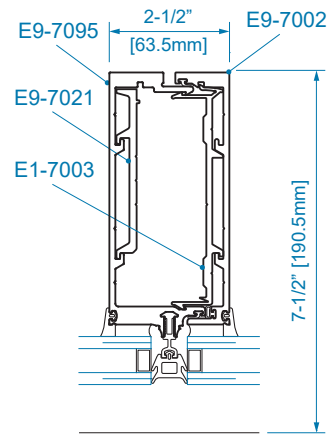
SECTION 3
INTERMEDIATE HORIZONTAL



SECTION 4
STARTER SILL

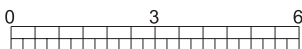


SECTION 5
JAMB

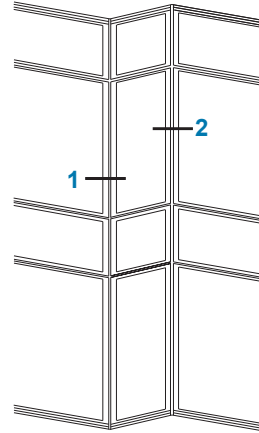
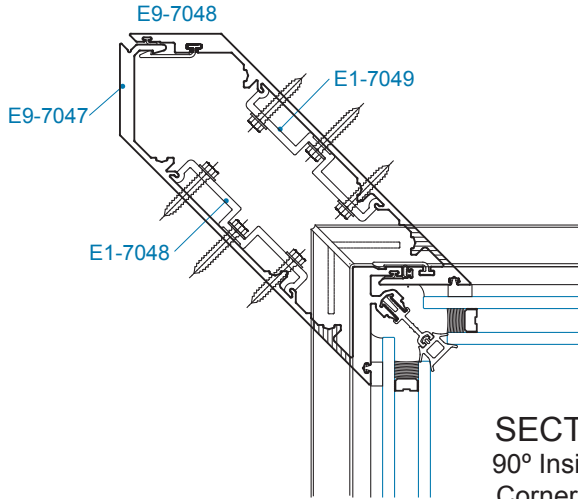


SECTION 6
VERTICAL

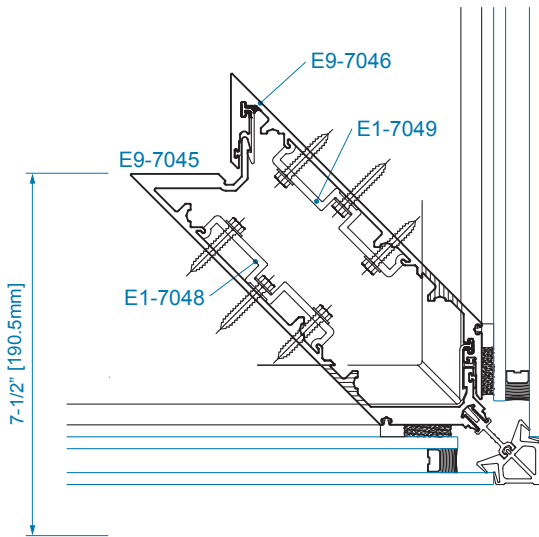
SCALE: 1/4 SIZE



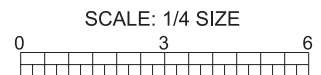
7-1/2" CORNER FRAMING MEMBERS - 4 SIDE SSG



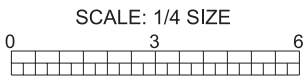
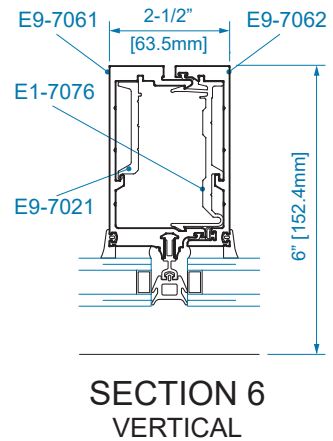
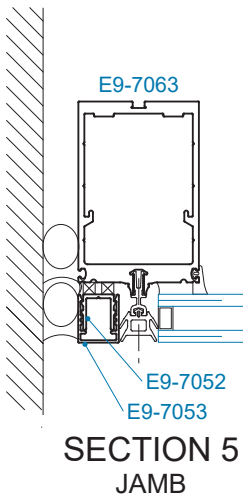
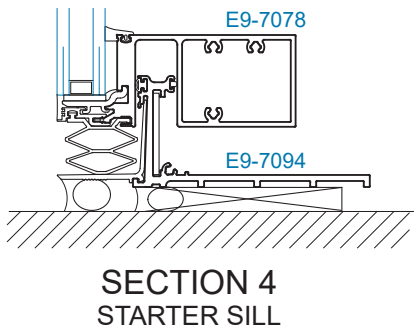
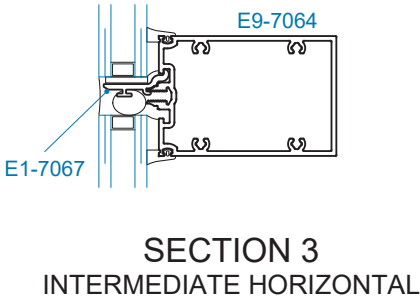
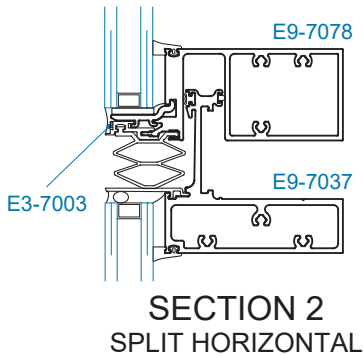
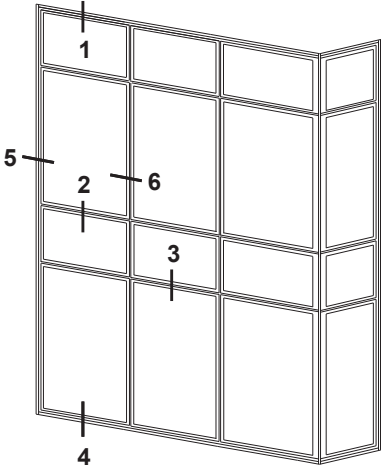
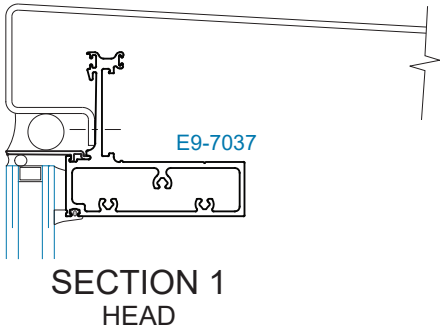
SECTION 2
90° Inside SSG
Corner Mullion



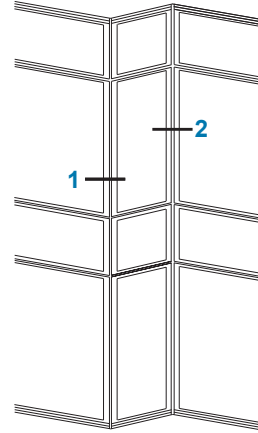
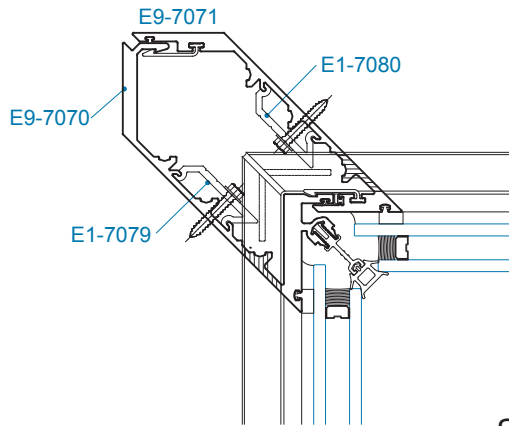
SECTION 1
90° Outside SSG
Corner Mullion



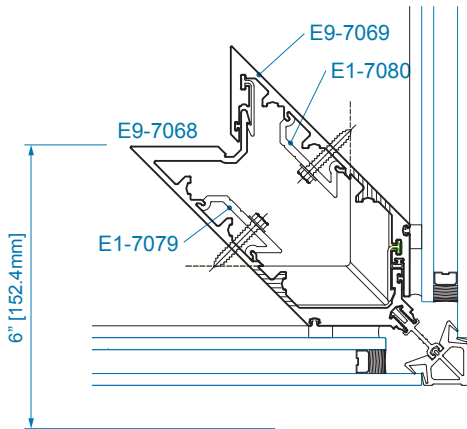
STANDARD 6" FRAMING MEMBERS - 4 SIDE SSG



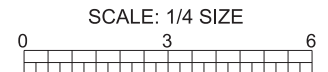
6" CORNER FRAMING MEMBERS - 4 SIDE SSG



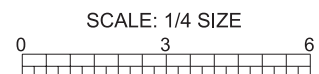
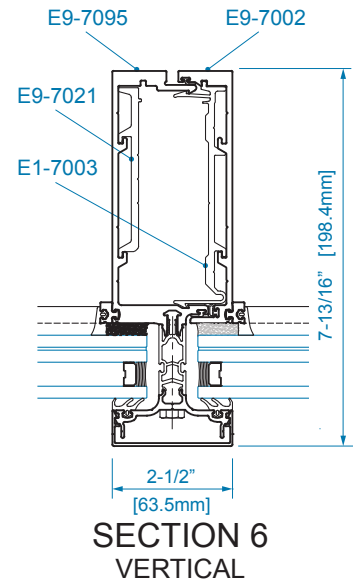
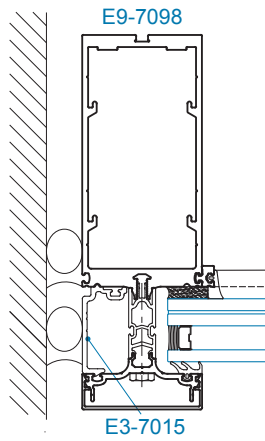
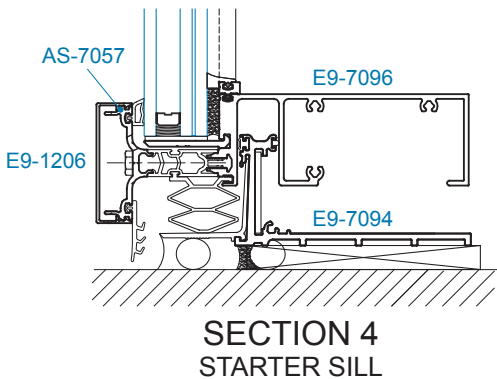
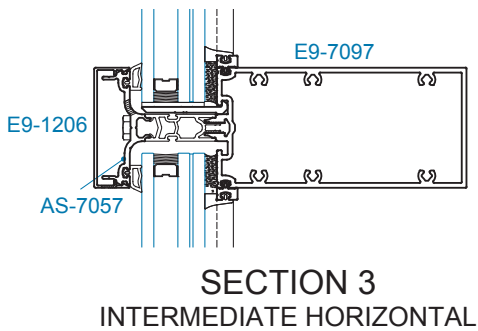
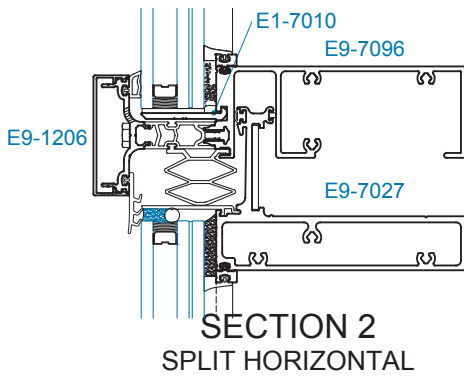
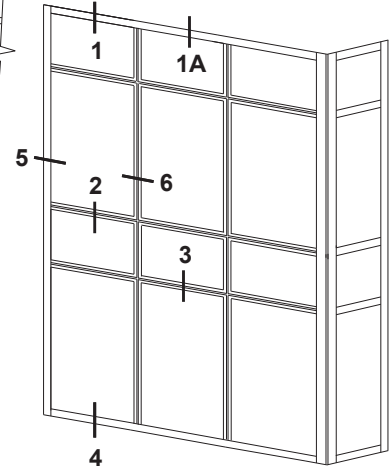
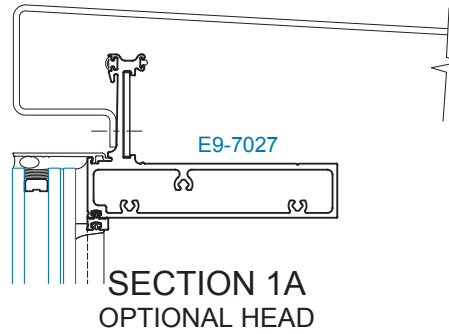
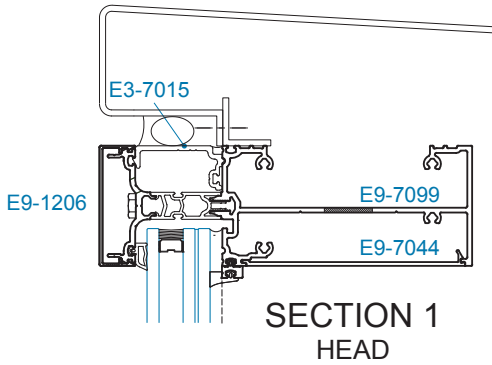
SECTION 2
90° Inside SSG
Corner Mullion



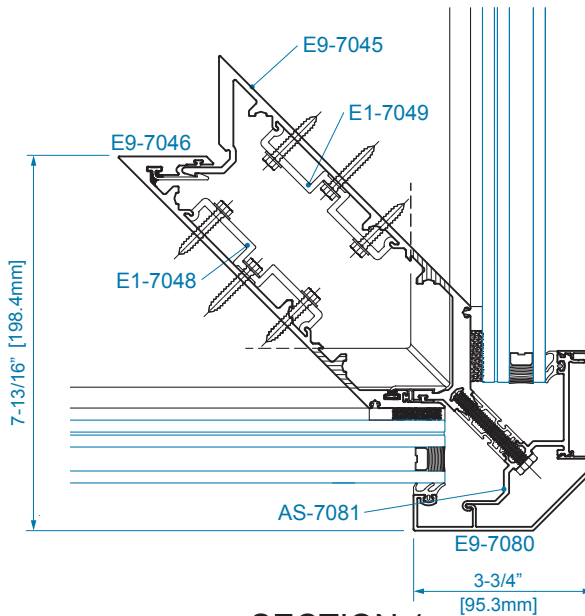
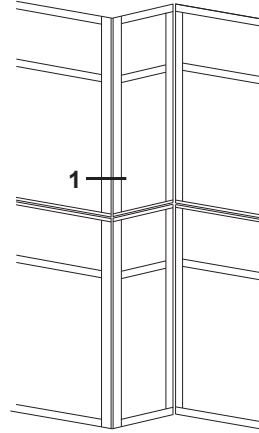
SECTION 1
90° Outside SSG
Corner Mullion



STANDARD 7-1/2" FRAMING MEMBERS - CAPTURED



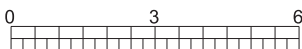
7-1/2" CORNER FRAMING MEMBERS - CAPTURED



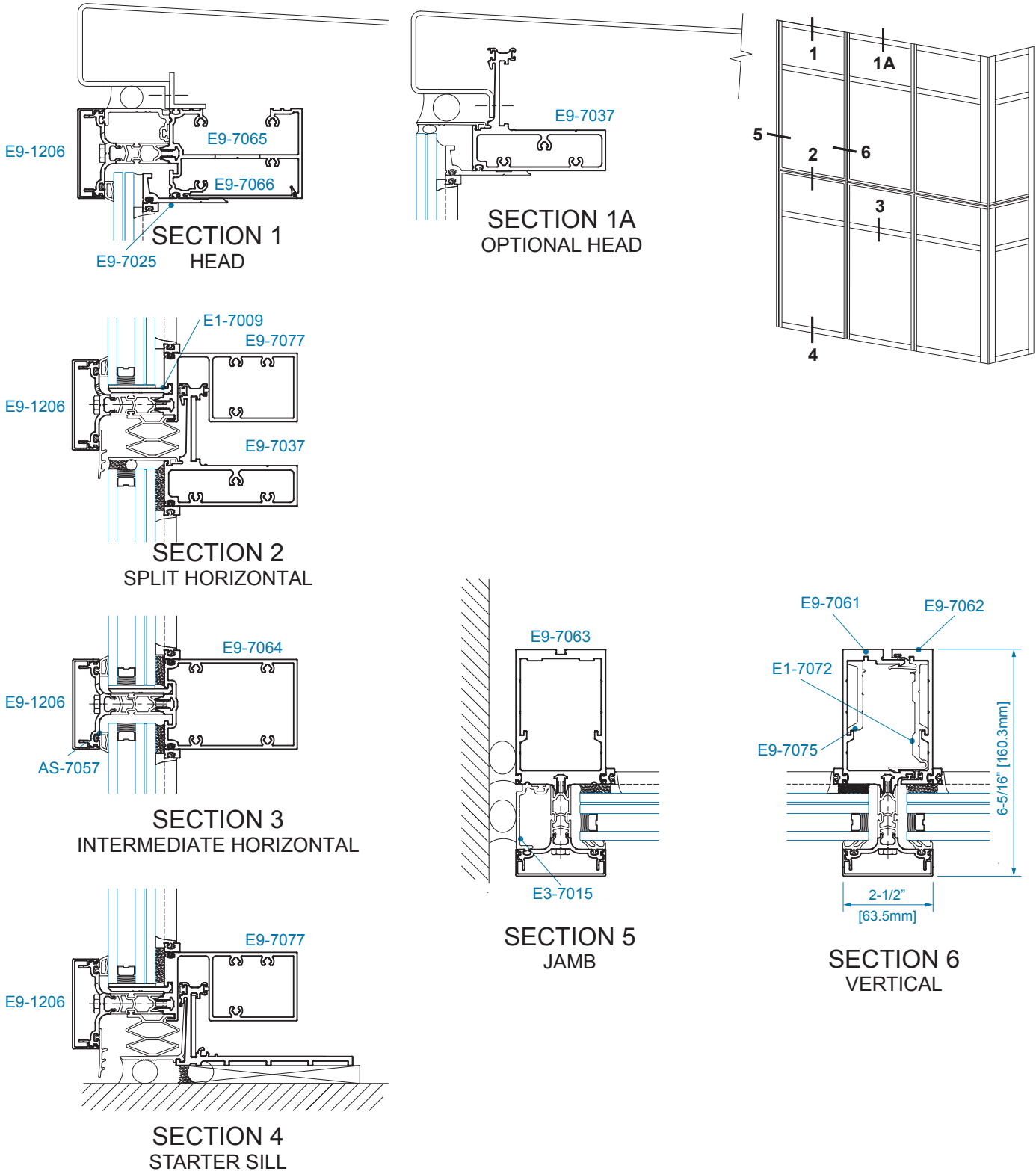
SECTION 1
90° Outside Captured
Corner Mullion

Note: 90° Inside Corner not available for captured mullion. Use SSG inside corner instead.

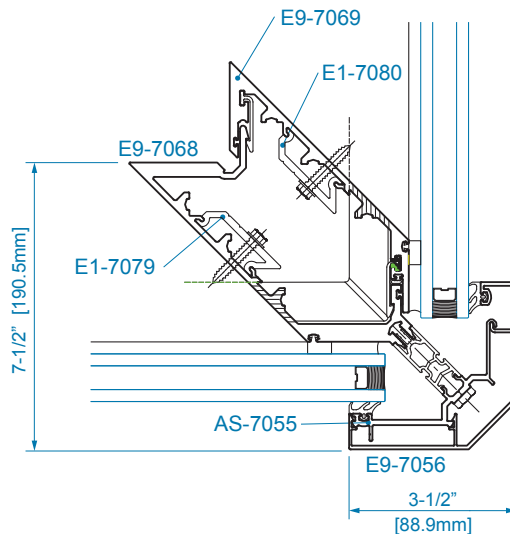
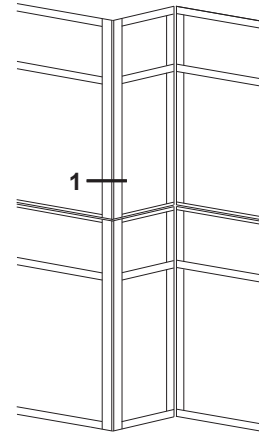
SCALE: 1/4 SIZE



STANDARD 7-1/2" FRAMING MEMBERS - CAPTURED



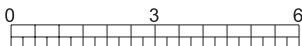
7-1/2" CORNER FRAMING MEMBERS - CAPTURED



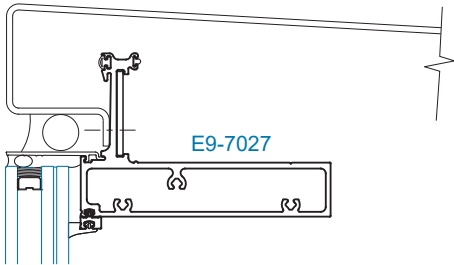
SECTION 1
90° Outside Captured
Corner Mullion

Note: 90° Inside Corner not available for captured mullion. Use SSG inside corner instead.

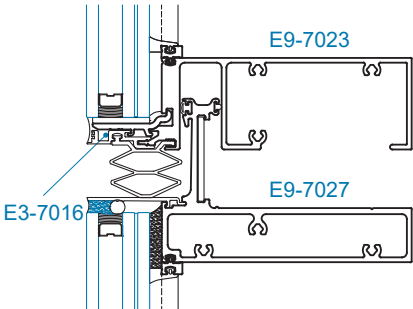
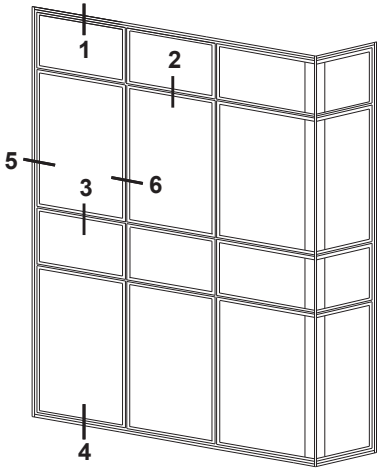
SCALE: 1/4 SIZE



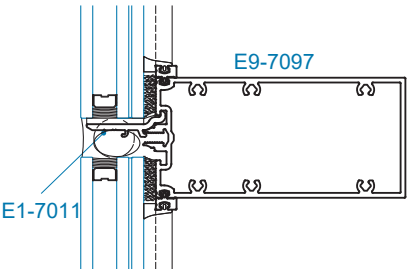
STANDARD 7-1/2" FRAMING MEMBERS - 4 SIDE SSG



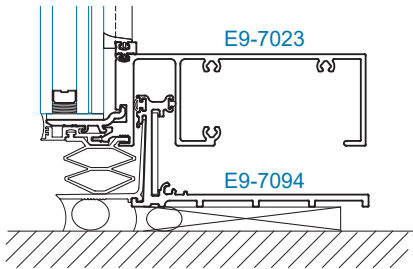
SECTION 1
HEAD



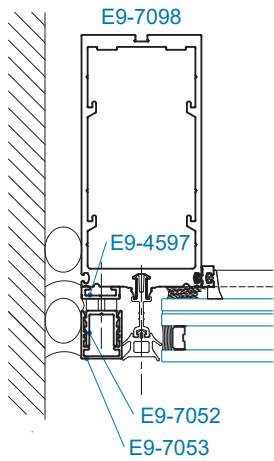
SECTION 2
SPLIT HORIZONTAL



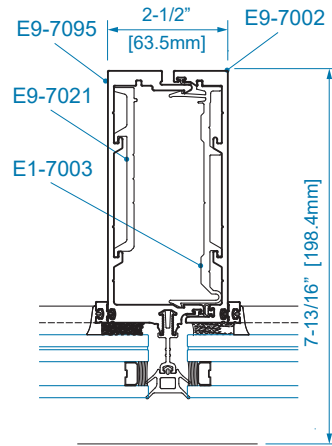
SECTION 3
INTERMEDIATE HORIZONTAL



SECTION 4
STARTER SILL

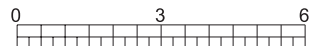


SECTION 5
JAMB

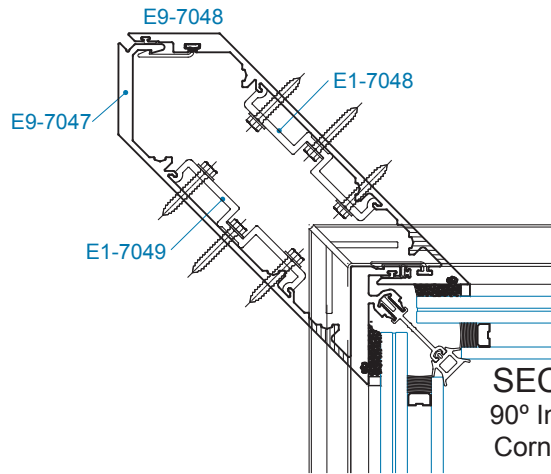


SECTION 6
VERTICAL

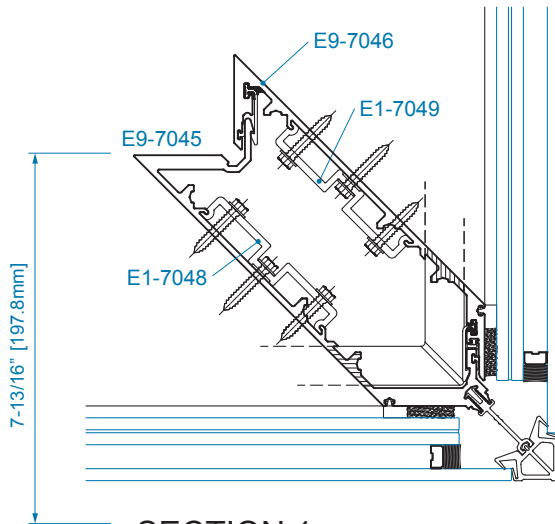
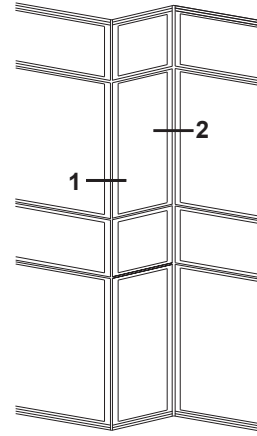
SCALE: 1/4 SIZE



7-1/2" CORNER FRAMING MEMBERS - 4 SIDE SSG

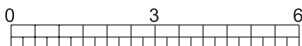


SECTION 2
90° Inside SSG
Corner Mullion

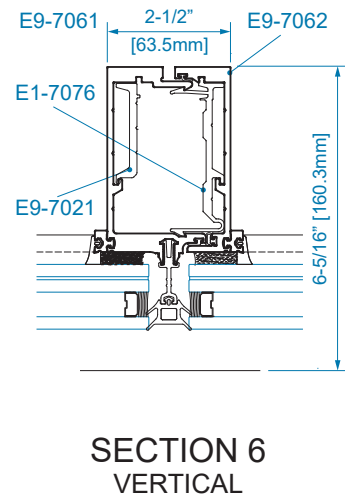
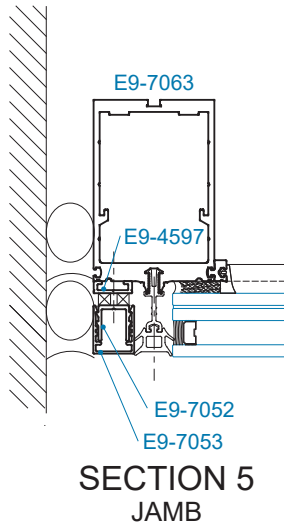
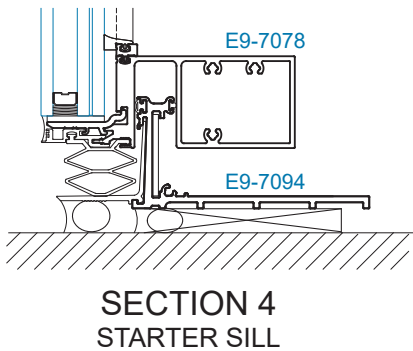
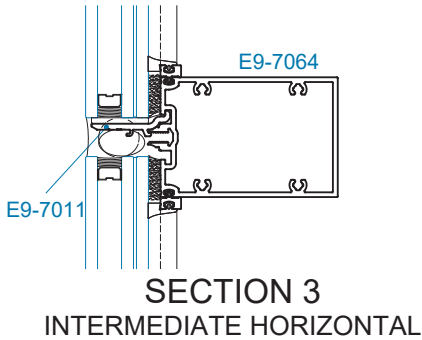
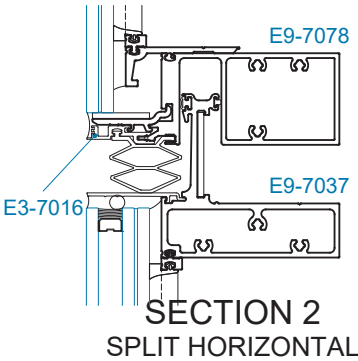
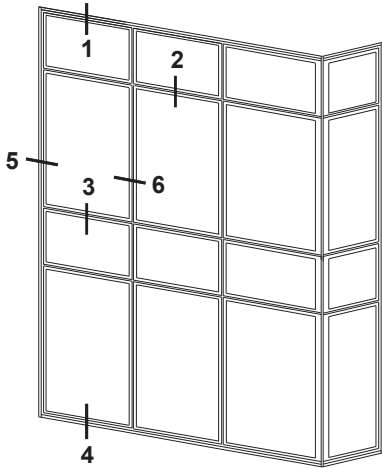
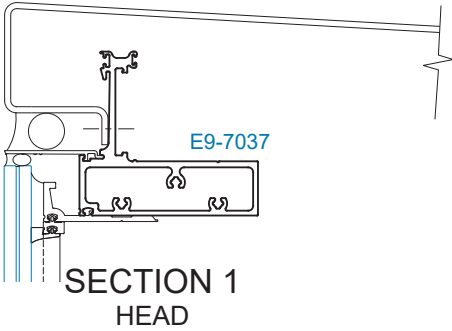


SECTION 1
90° Outside SSG
Corner Mullion

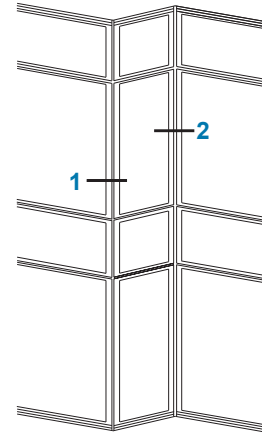
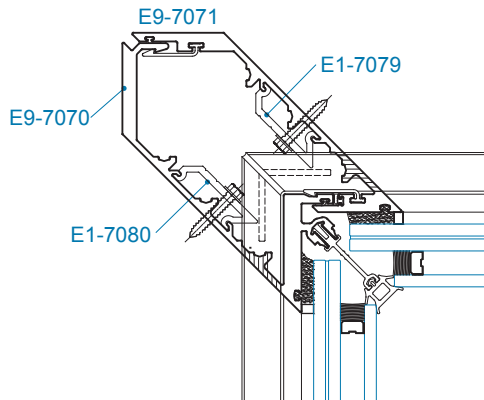
SCALE: 1/4 SIZE



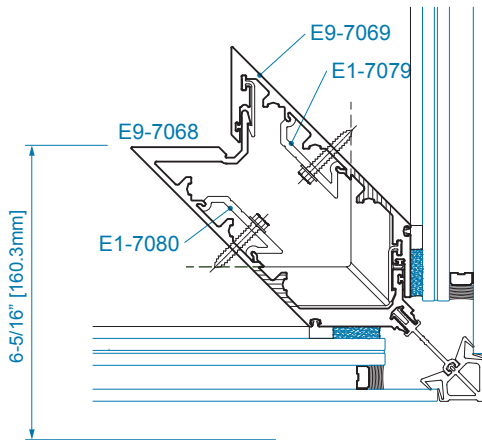
STANDARD 6" FRAMING MEMBERS - 4 SIDE SSG



6" CORNER FRAMING MEMBERS - 4 SIDE SSG

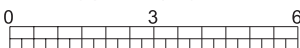


SECTION 2
90° Inside SSG
Corner Mullion



SECTION 1
90° Outside SSG
Corner Mullion

SCALE: 1/4 SIZE



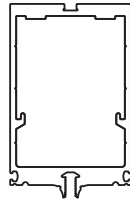
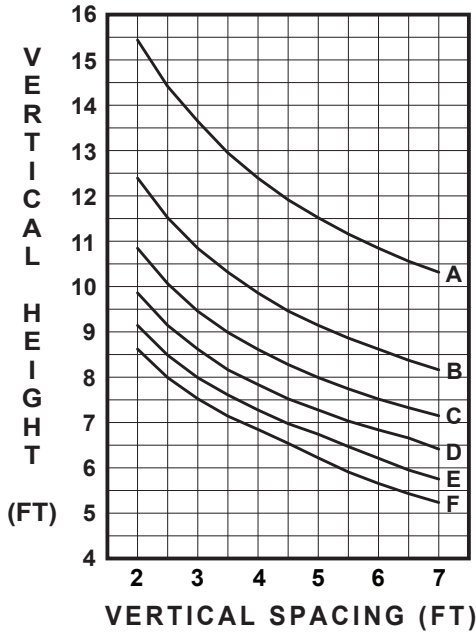
WIND LOAD CHARTS

DEFLECTION CRITERIA: AAMA TIR-A11 - L/175 or L/240 + 1/4" (6.4mm) - FOR SPANS GREATER THAN 13'-6" (4.1m) BUT LESS THAN 40'-0" (12.2m)
 CODES AND SPECIFICATIONS MAY VARY, NO SINGLE LITE OF GLASS SHALL DEFLECT MORE THAN 3/4" (19.1mm)

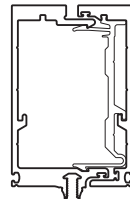
ALLOWABLE WIND LOAD STRESS:
 YKK AP tested standard. Contact YKK AP for more information.

These charts include unbraced length analysis and are based off at least one horizontal being placed at the midpoint of the span. For other applications, please contact YKK AP engineers at 1-866-955-2732.

E9-7063 W/ HORIZ. @ MID-POINT



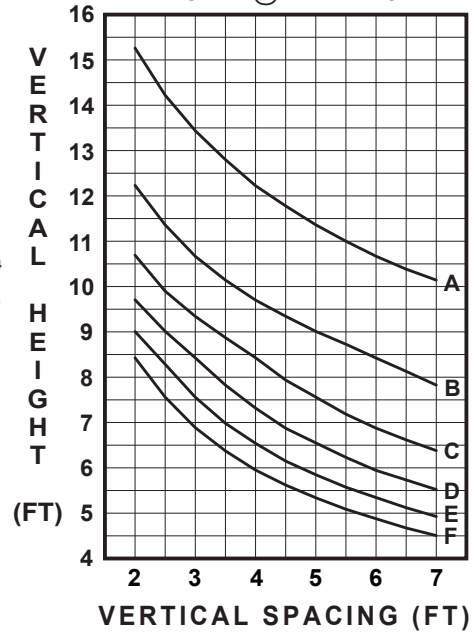
$I_{xx}=5.011 \text{ in}^4$
 (208.57 cm^4)



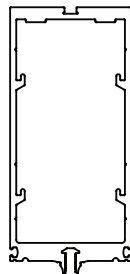
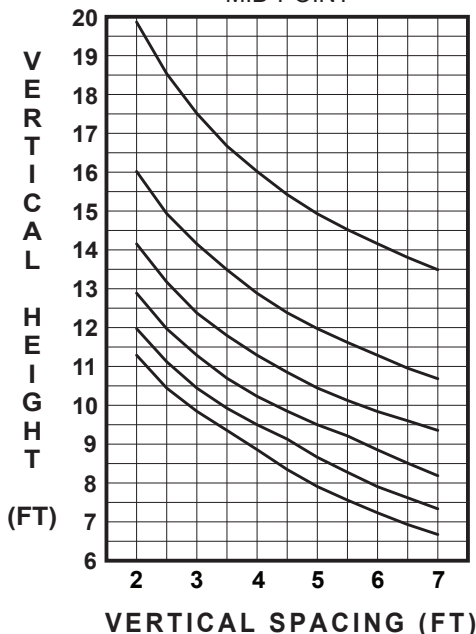
$I_{xx}=4.806 \text{ in}^4$
 (200.04 cm^4)

A=20 PSF (960 Pa)
 B=40 PSF (1920 Pa)
 C=60 PSF (2870 Pa)
 D=80 PSF (3830 Pa)
 E=100 PSF (4790 Pa)
 F=120 PSF (5750 Pa)

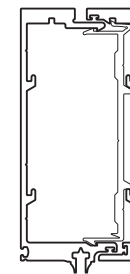
E9-7062 / E9-7022 W/ MULLION CLIP OR HORIZ. @ EVERY 18"



E9-7098 W/ HORIZ. @ MID-POINT



$I_{xx}=11.269 \text{ in}^4$
 (469.05 cm^4)



$I_{xx}=10.902 \text{ in}^4$
 (453.78 cm^4)

E9-7095 / E9-7002 W/ MULLION CLIP OR HORIZ. @ EVERY 18"

