

TABLE OF CONTENTS

**YCW 750 OG OUTSIDE GLAZED CURTAIN WALL SYSTEM
FOR 1/4" GLAZING AND 1" GLAZING**

PICTORIAL VIEWS Page 2 to 5

TYPICAL MID ANCHORS Page 6

FRAMING MEMBERS..... Page 7 to 11
FOR 1/4" GLAZING (1/4 SIZE)

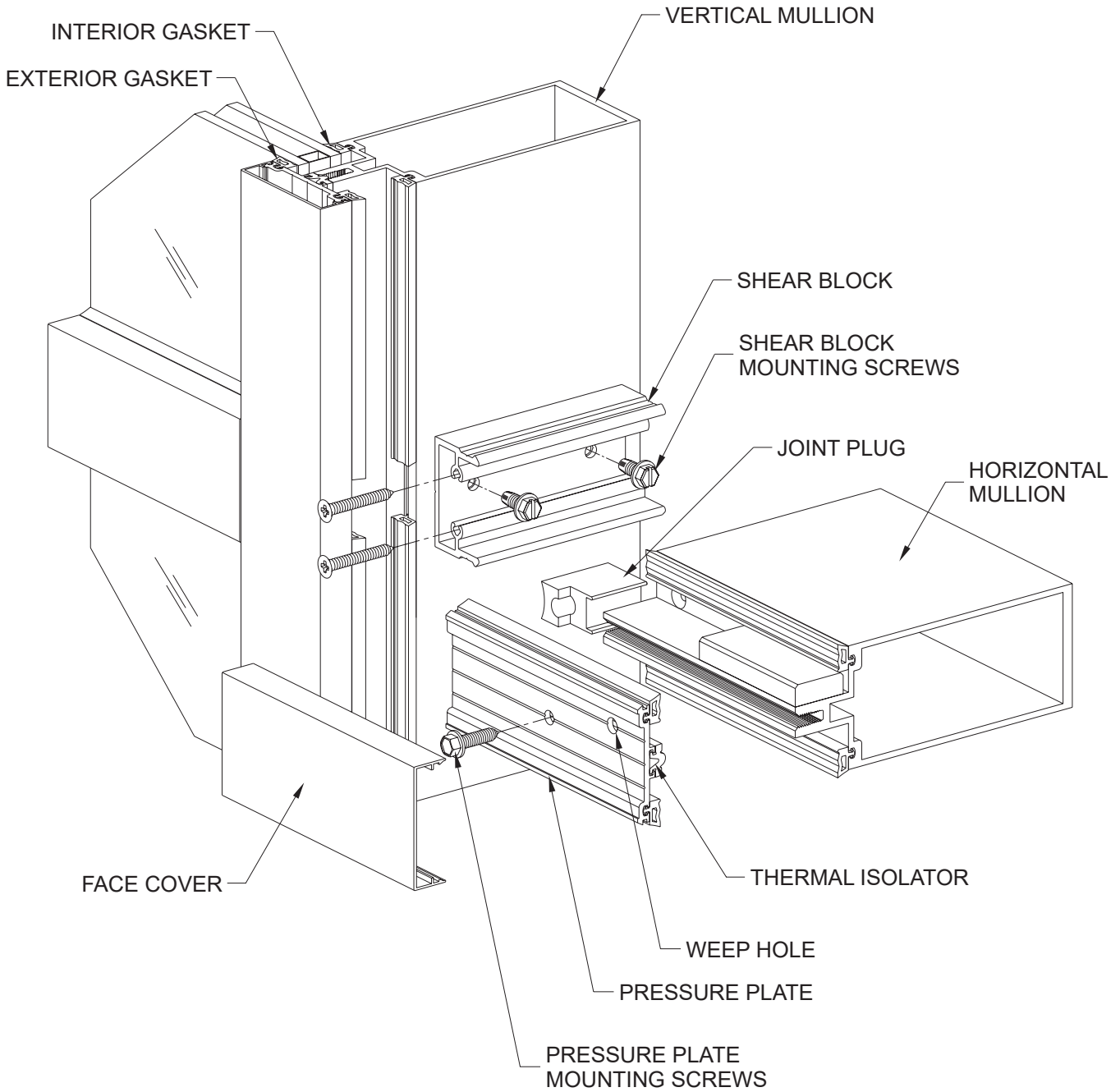
FRAMING MEMBERS..... Page 12 to 16
FOR 1" GLAZING (1/4 SIZE)

VENEER WALL FRAMING MEMBERS (1/4 SIZE)..... Page 17

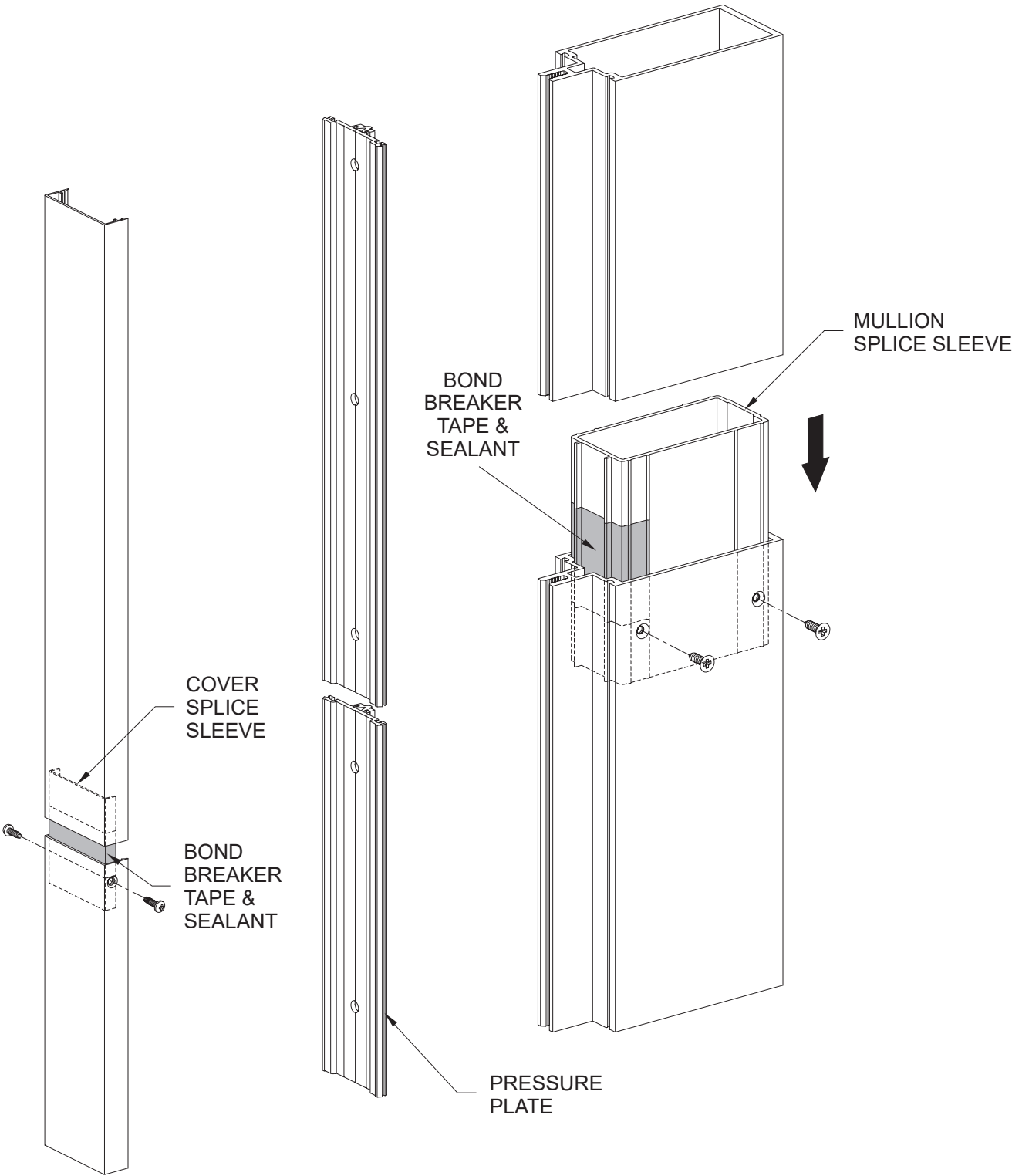
WIND LOAD CHARTS Page 18 to 20

*The latest installation instructions for this product are available at www.ykkap.com.

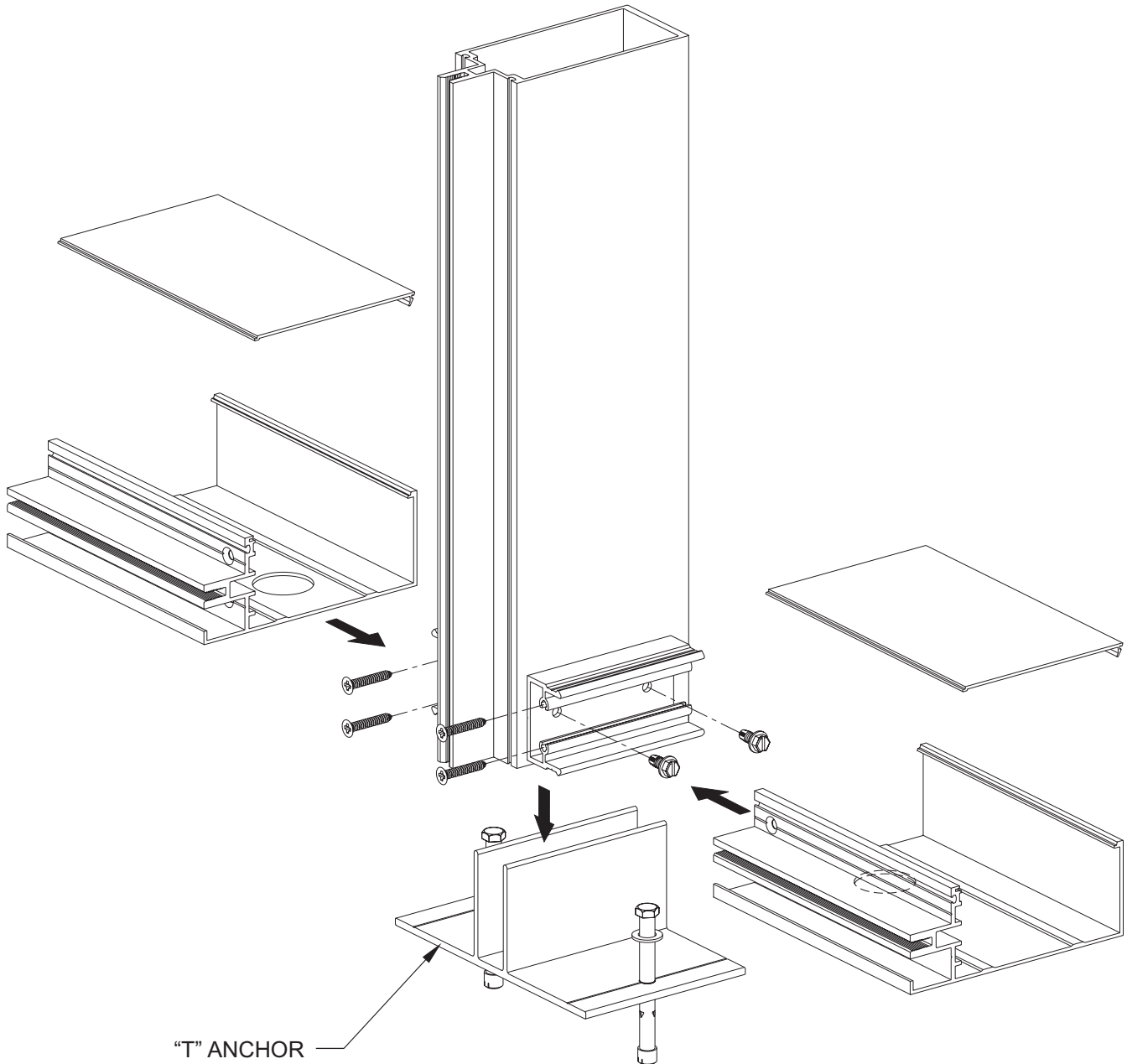
OUTSIDE GLAZED CURTAIN WALL SYSTEM



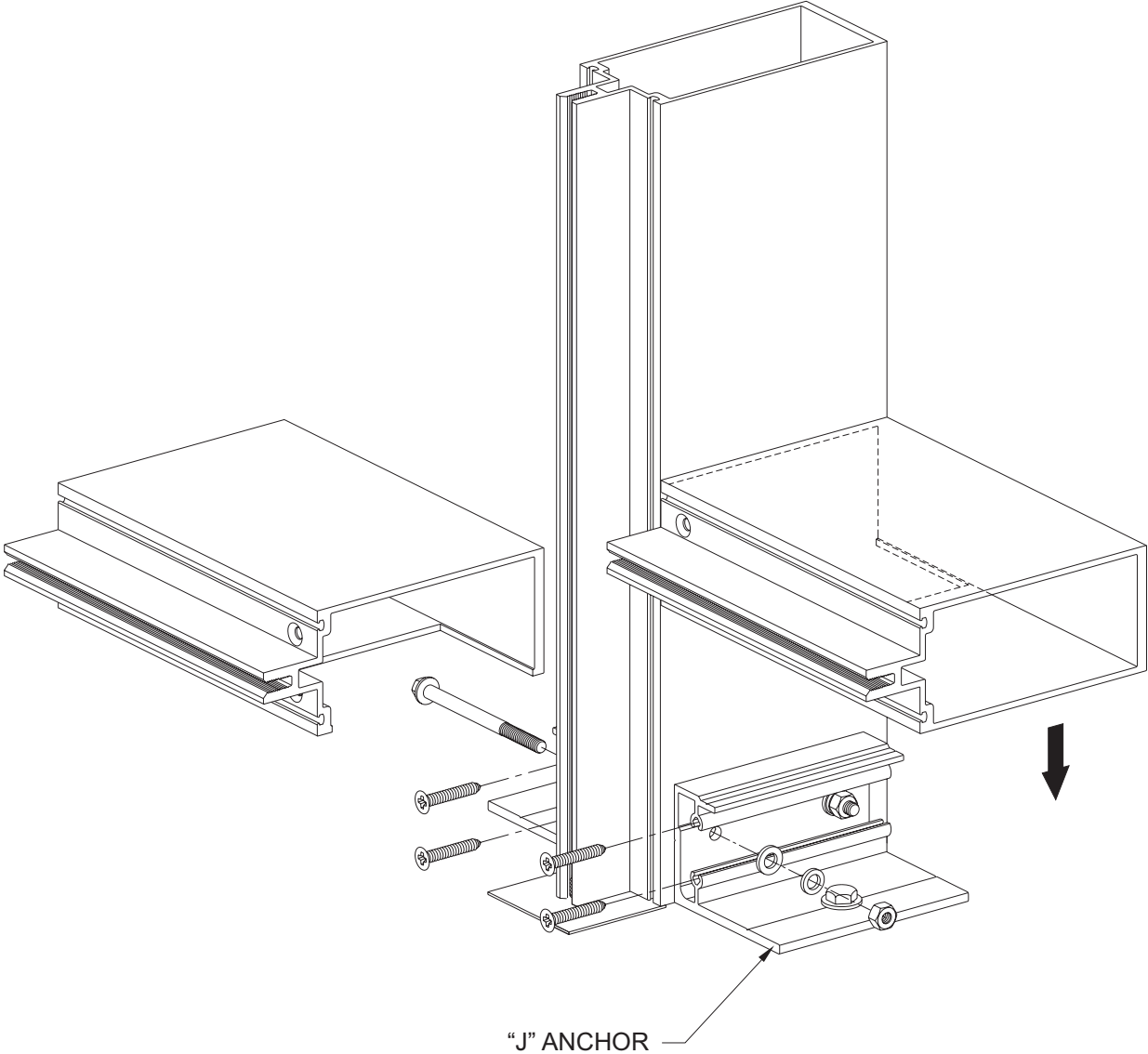
TYPICAL SPLICE CONDITION



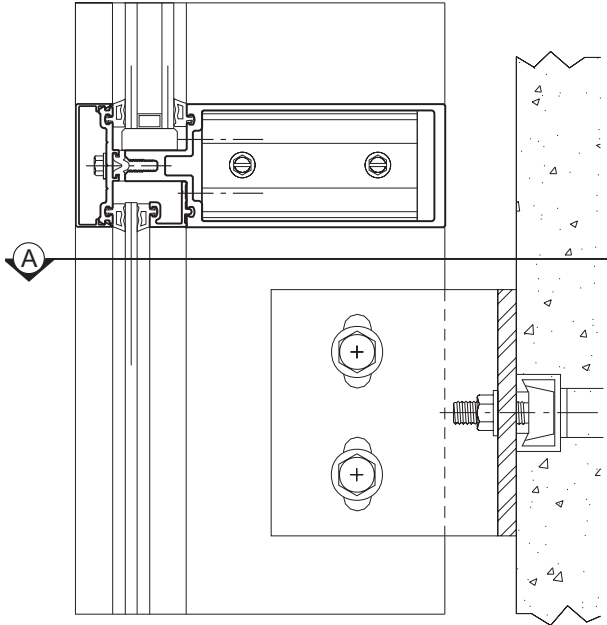
VERTICAL MULLION WITH "T" END ANCHOR



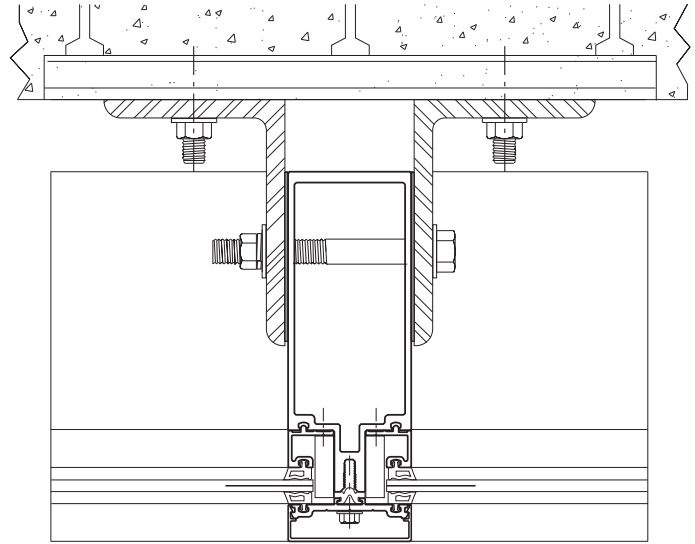
VERTICAL MULLION WITH "J" END ANCHOR



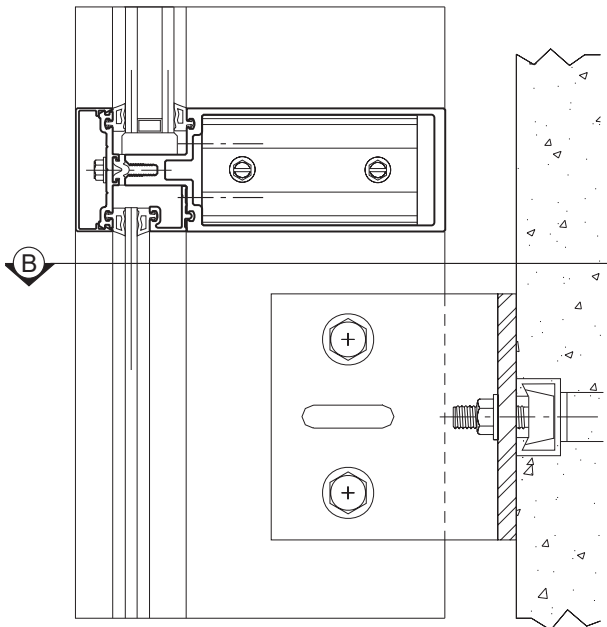
TYPICAL MID ANCHORS FOR WIND LOAD & DEAD LOAD



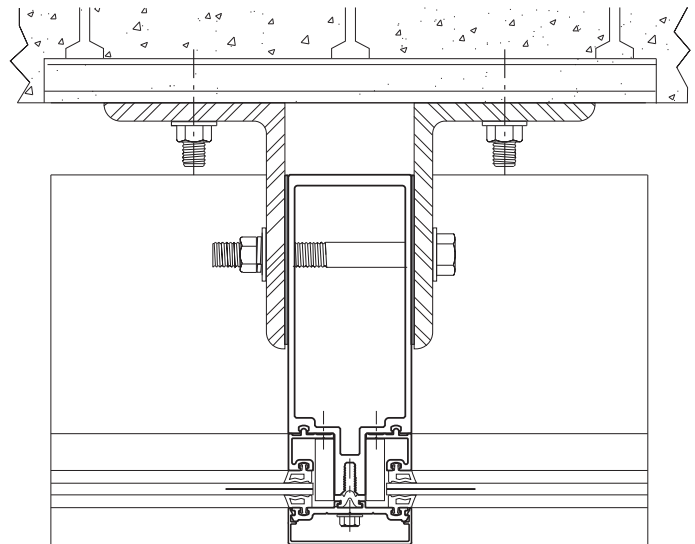
TYPICAL WIND LOAD ANCHOR



SECTION A



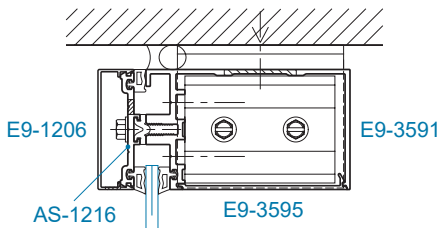
TYPICAL DEAD LOAD ANCHOR



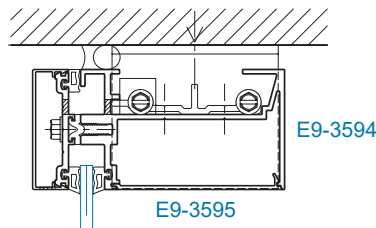
SECTION B

SCALE: 1/4 SIZE

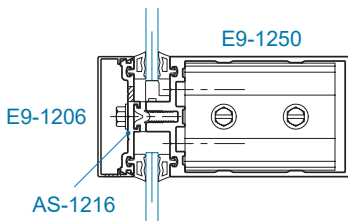
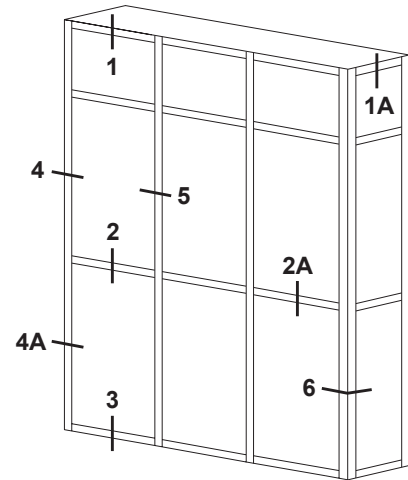
STANDARD FRAMING MEMBERS FOR 1/4" GLAZING



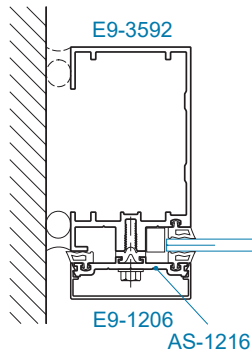
SECTION 1
OPEN BACK HEAD



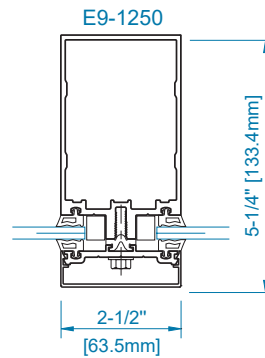
SECTION 1A
INCIDENTAL WATER HEAD



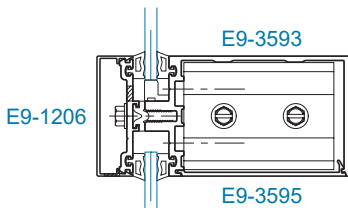
SECTION 2
HORIZONTAL



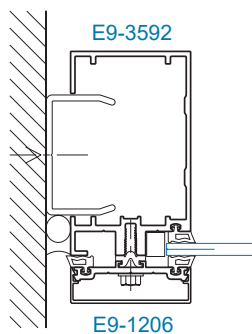
SECTION 4
OPEN BACK JAMB



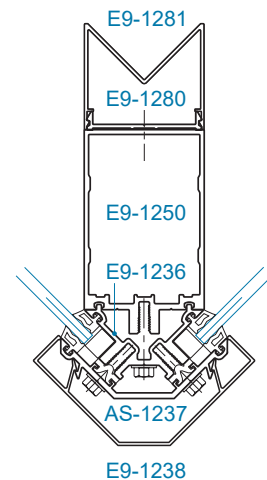
SECTION 5
VERTICAL



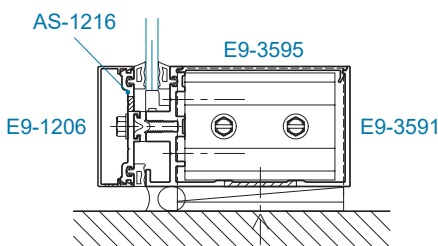
SECTION 2A
OPEN BACK HORIZONTAL



SECTION 4A
OPEN BACK JAMB
w/ JAMB ANCHOR CLIP

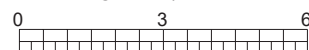


SECTION 6
90° OUTSIDE CORNER

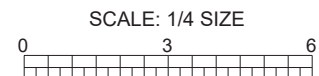
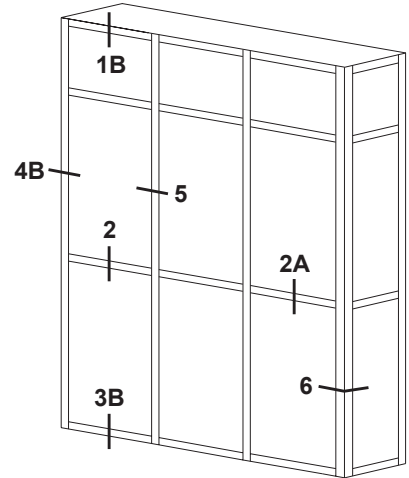
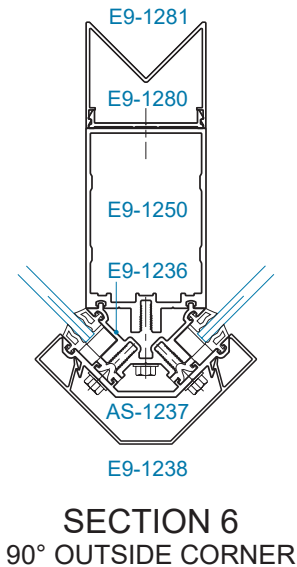
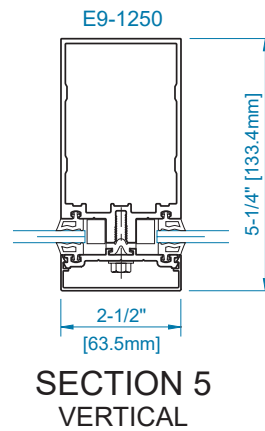
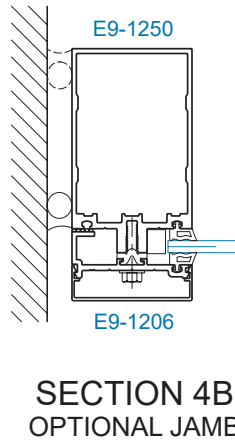
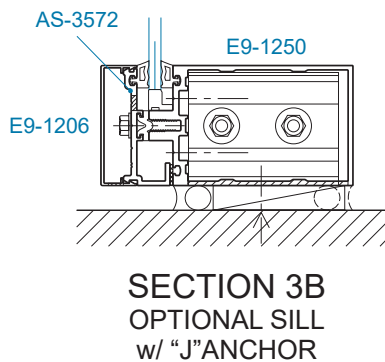
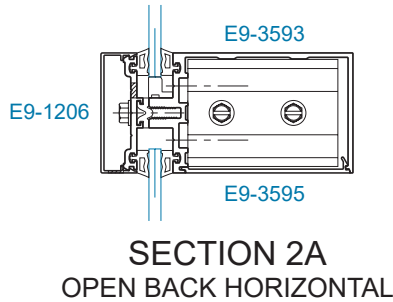
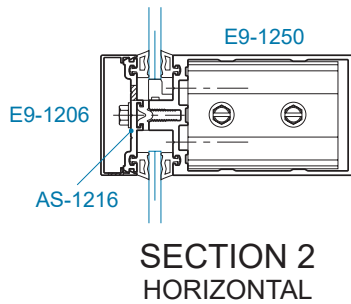
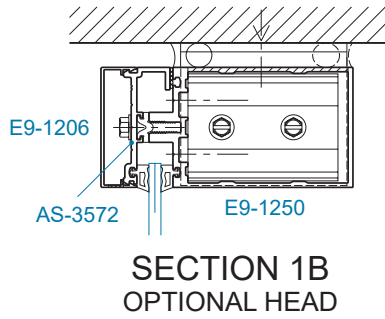


SECTION 3
OPEN BACK SILL

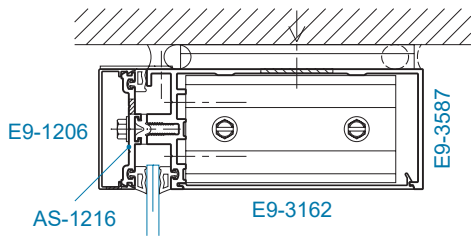
SCALE: 1/4 SIZE



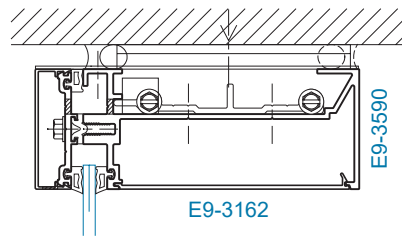
OPTIONAL FRAMING MEMBERS FOR 1/4" GLAZING



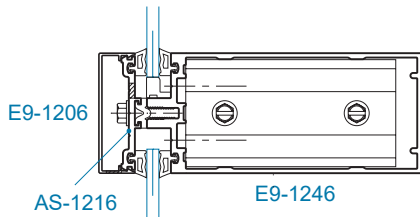
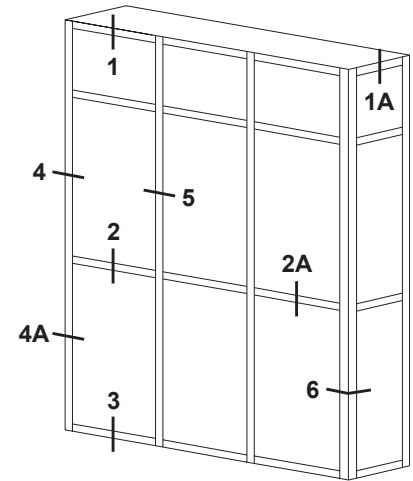
STANDARD FRAMING MEMBERS FOR 1/4" GLAZING



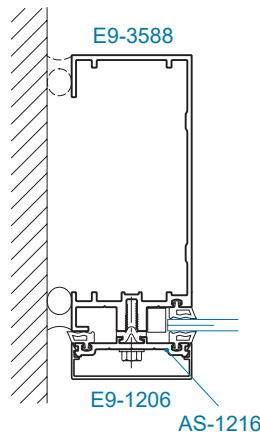
SECTION 1
OPEN BACK HEAD



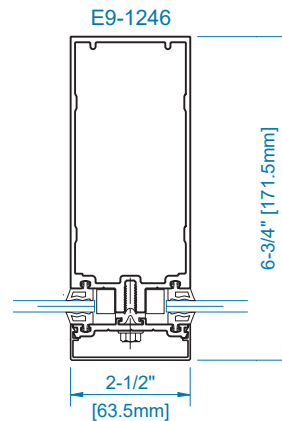
SECTION 1A
INCIDENTAL WATER HEAD



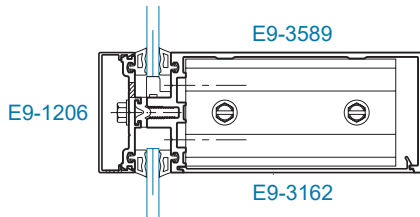
SECTION 2
HORIZONTAL



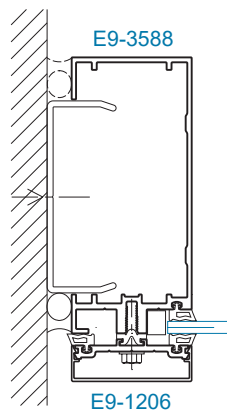
SECTION 4
OPEN BACK JAMB



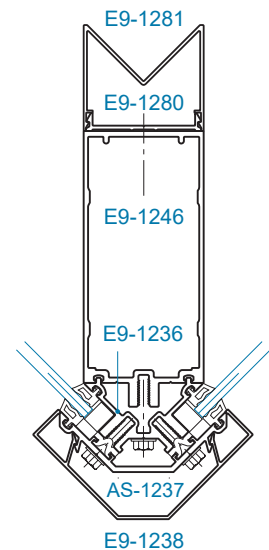
SECTION 5
VERTICAL



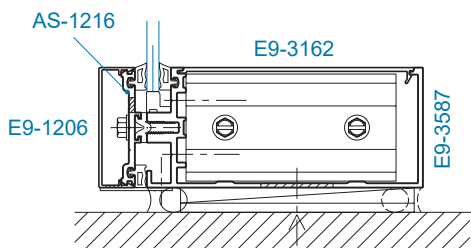
SECTION 2A
OPEN BACK HORIZONTAL



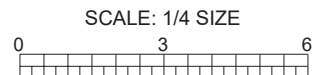
SECTION 4A
OPEN BACK JAMB
w/ JAMB ANCHOR CLIP



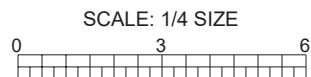
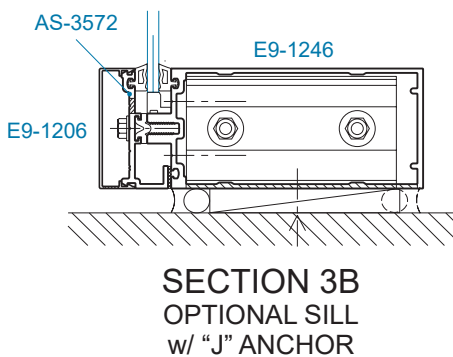
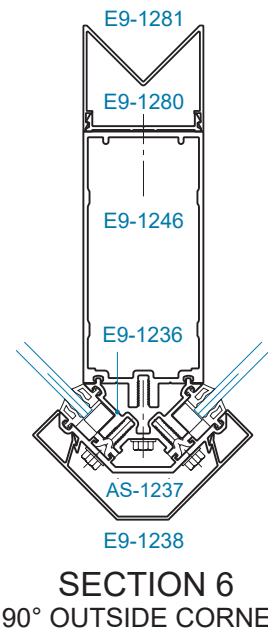
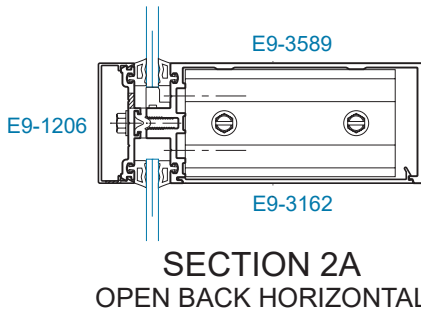
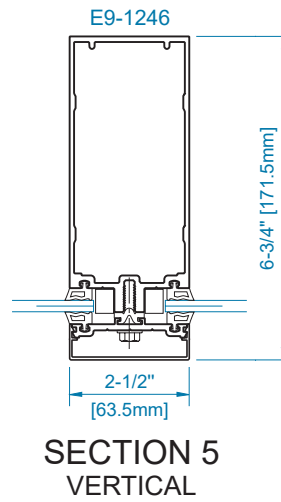
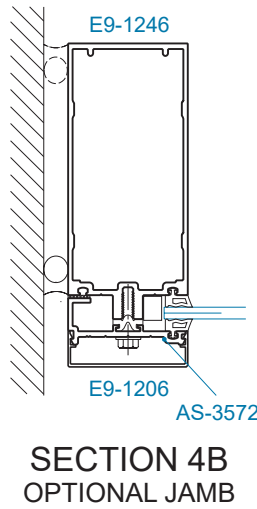
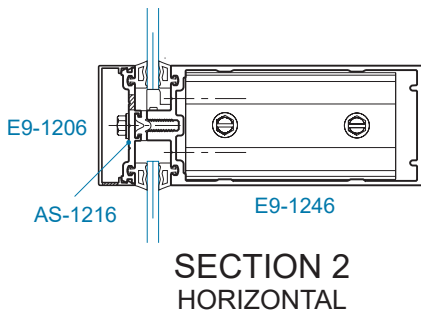
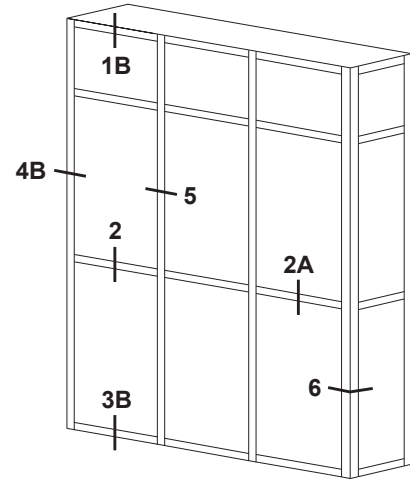
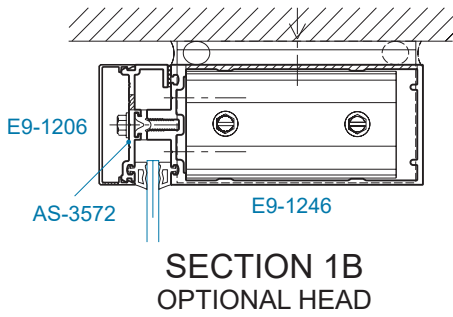
SECTION 6
90° OUTSIDE CORNER



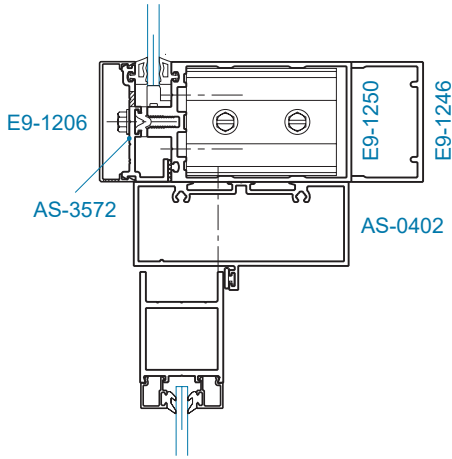
SECTION 3
OPEN BACK SILL



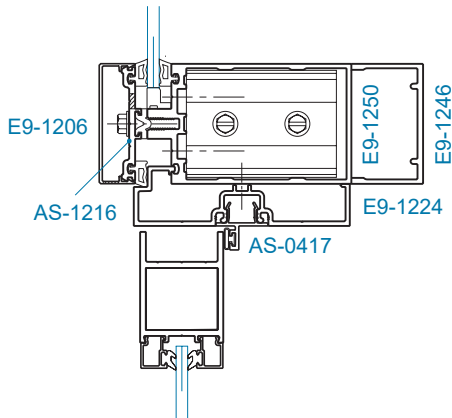
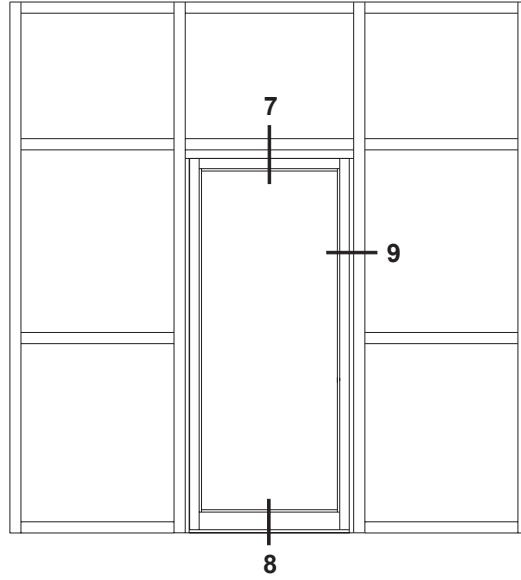
OPTIONAL FRAMING MEMBERS FOR 1/4" GLAZING



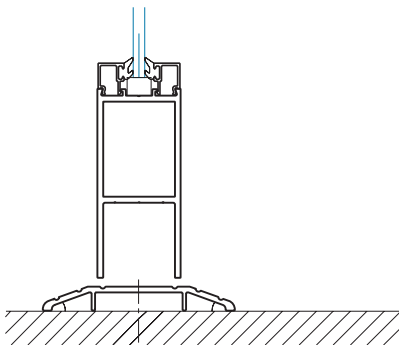
DOOR FRAMING MEMBERS FOR 1/4" GLAZING



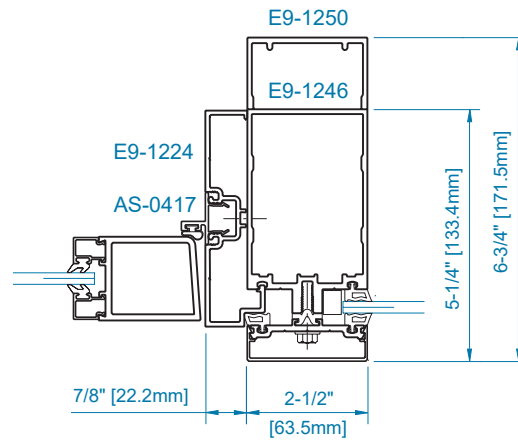
SECTION 7
TRANSOM BAR



SECTION 7A
OPTIONAL TRANSOM BAR
(Limited Hardware Applications)

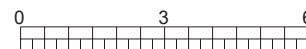


SECTION 8
BOTTOM RAIL

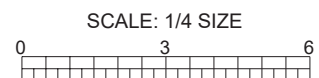
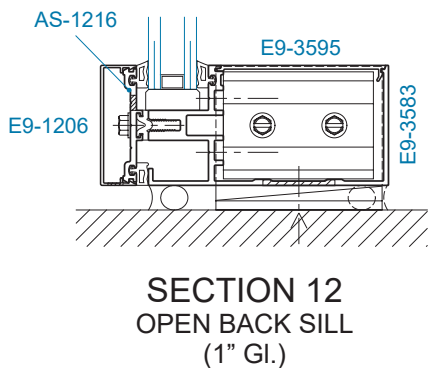
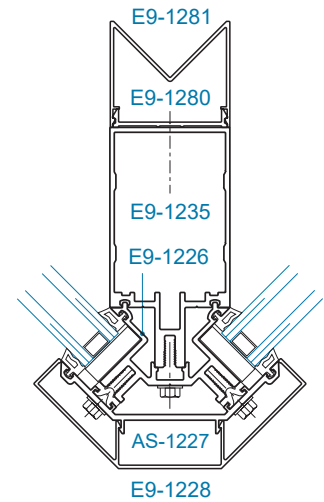
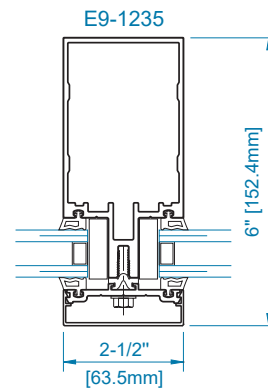
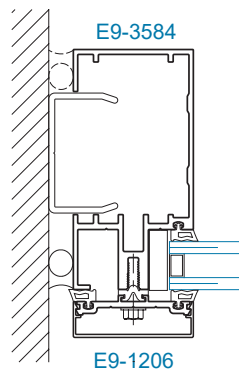
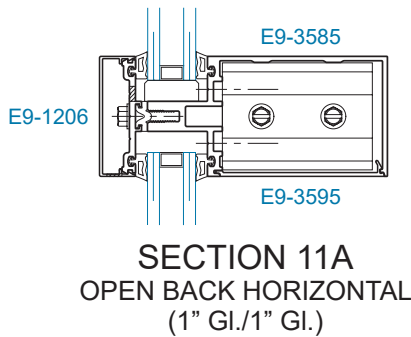
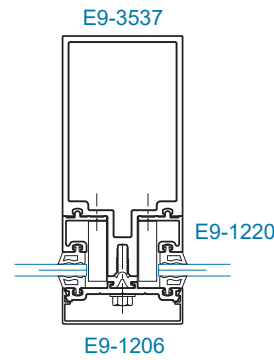
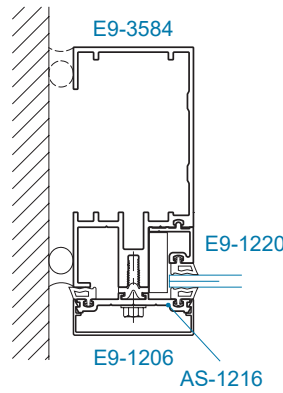
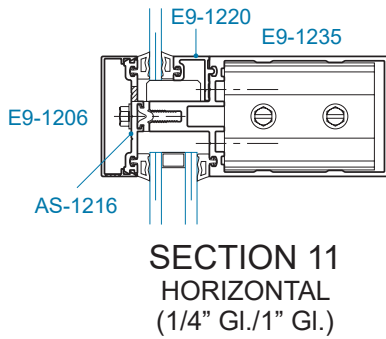
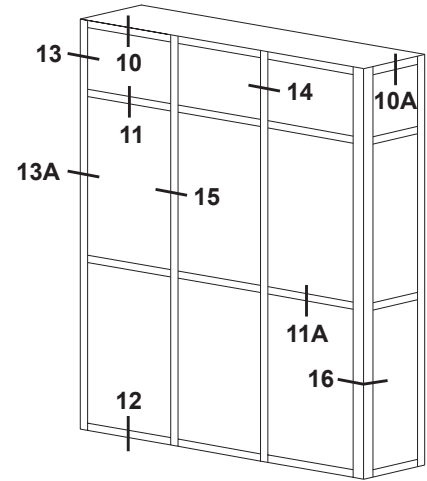
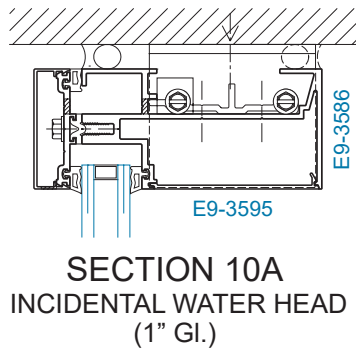
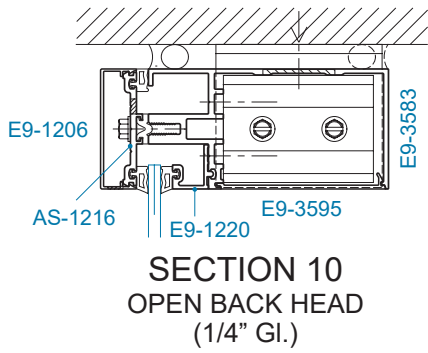


SECTION 9
DOOR JAMB

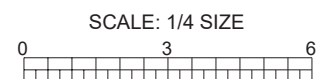
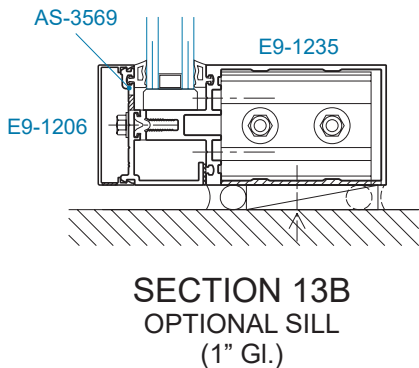
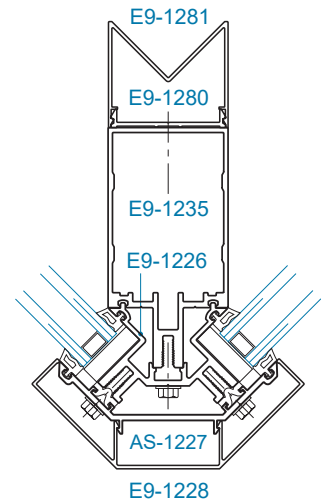
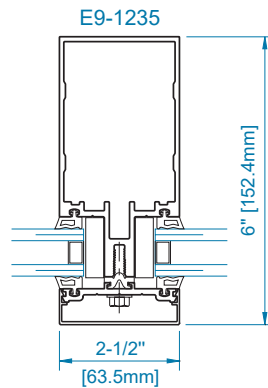
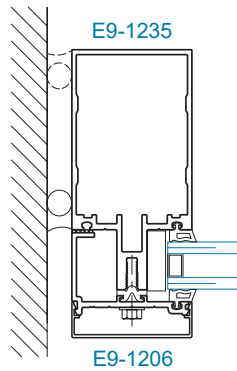
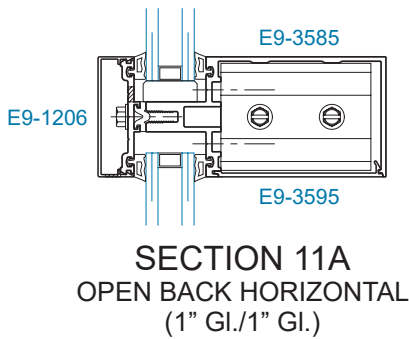
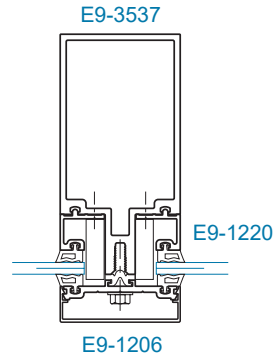
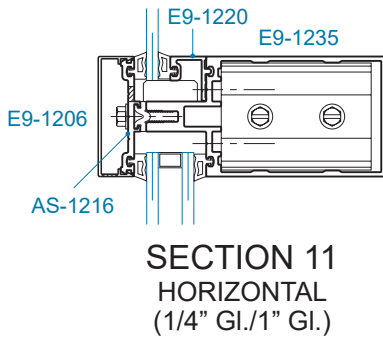
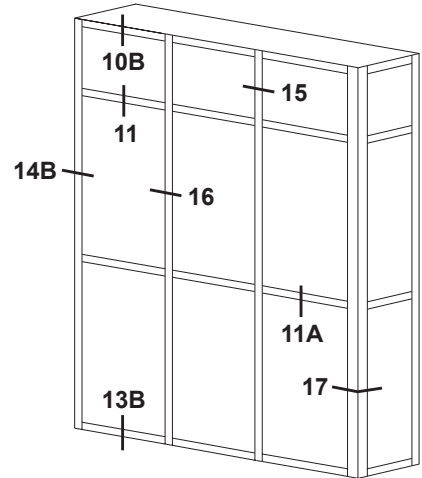
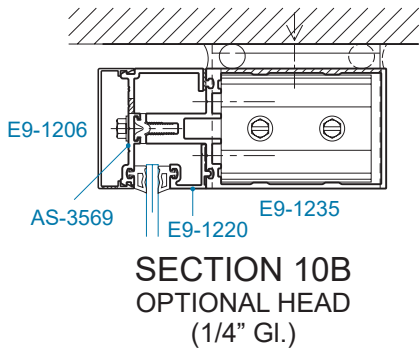
SCALE: 1/4 SIZE



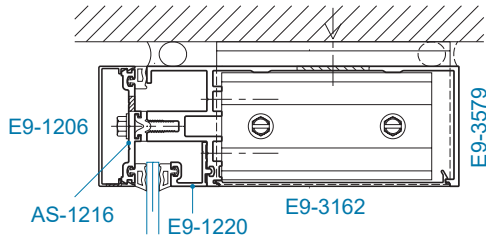
STANDARD FRAMING MEMBERS FOR 1" GLAZING



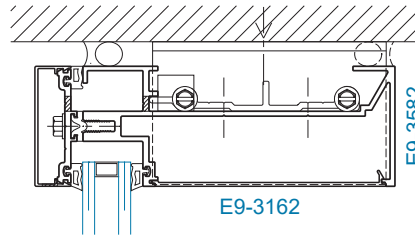
OPTIONAL FRAMING MEMBERS FOR 1" GLAZING



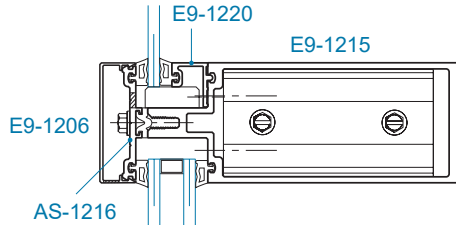
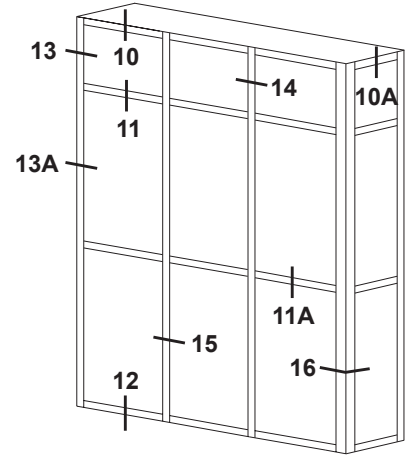
STANDARD FRAMING MEMBERS FOR 1" GLAZING



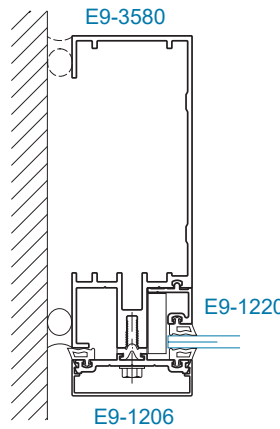
SECTION 10
OPEN BACK HEAD
(1/4" Gl.)



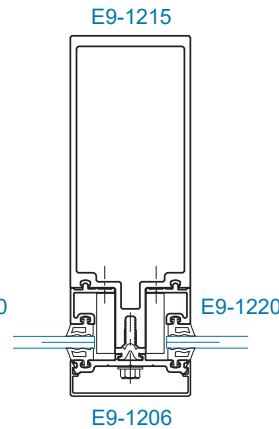
SECTION 10A
INCIDENTAL WATER HEAD
(1" Gl.)



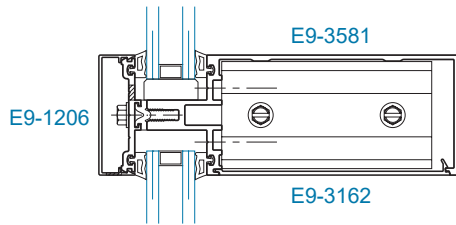
SECTION 11
HORIZONTAL
(1/4" Gl./1" Gl.)



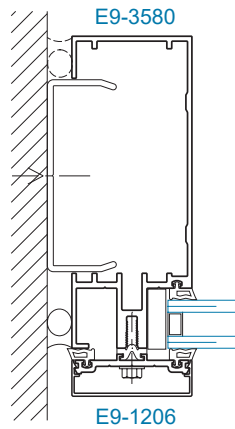
SECTION 13
OPEN BACK JAMB
(1/4" Gl.)



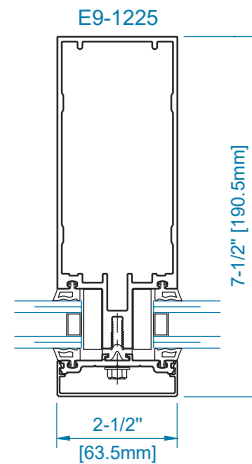
SECTION 14
HEAVY DUTY
VERTICAL
(1/4" Gl.)



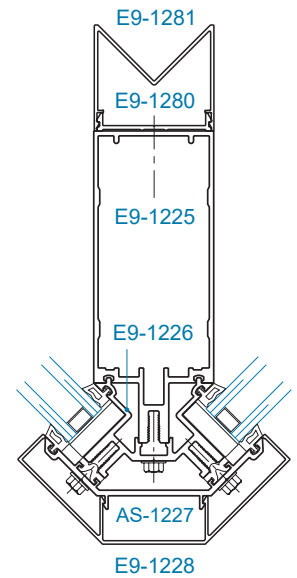
SECTION 11A
OPEN BACK HORIZONTAL
(1" Gl./1" Gl.)



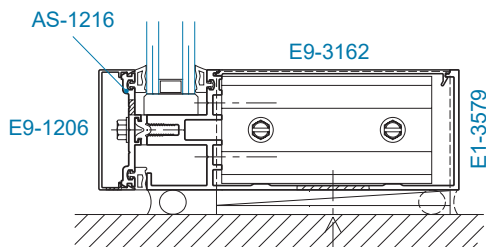
SECTION 13A
OPEN BACK JAMB
w/ JAMB ANCHOR
CLIP (1" Gl.)



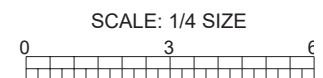
SECTION 15
VERTICAL
(1" Gl.)



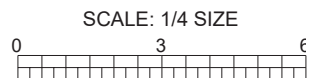
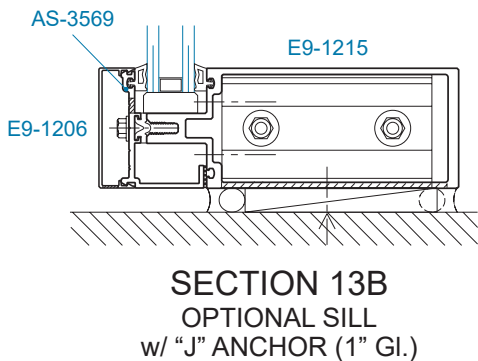
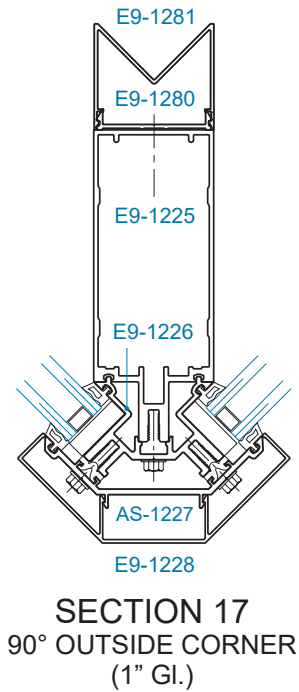
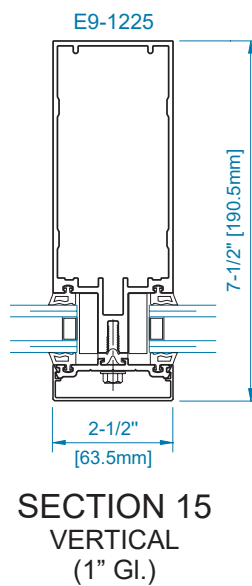
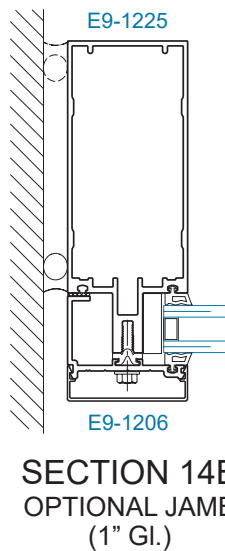
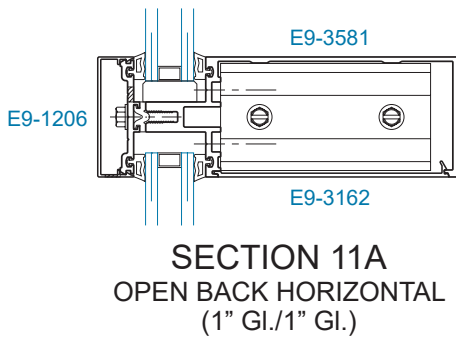
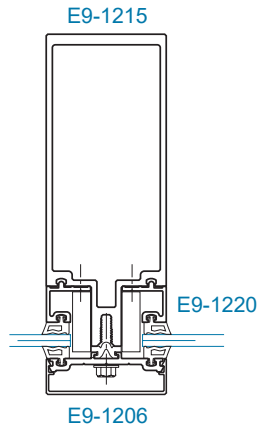
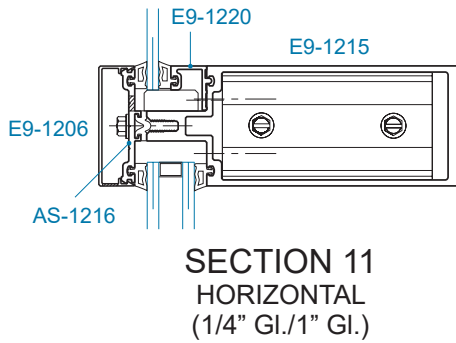
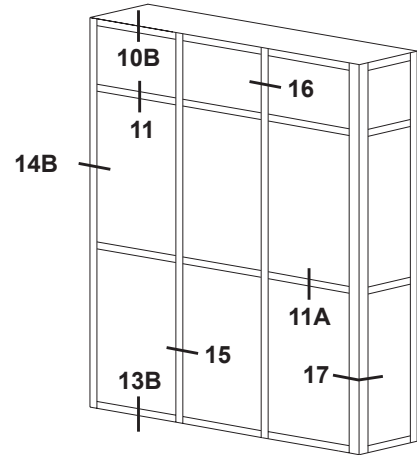
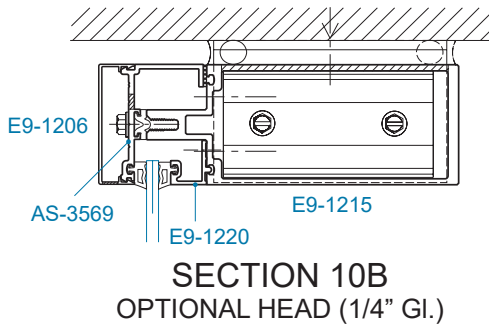
SECTION 16
90° OUTSIDE CORNER
(1" Gl.)



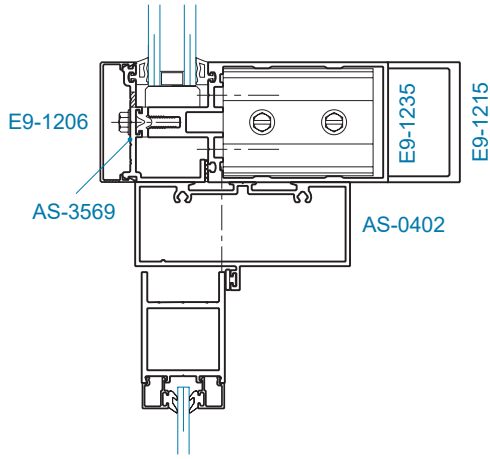
SECTION 12
OPEN BACK SILL
(1" Gl.)



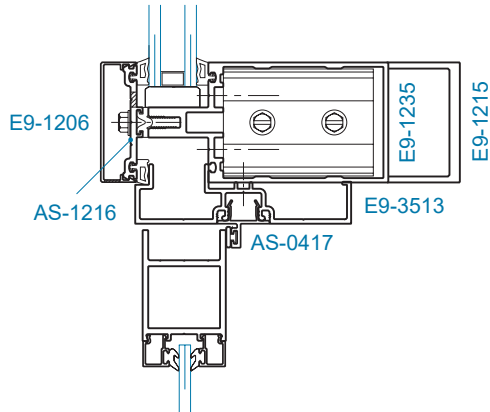
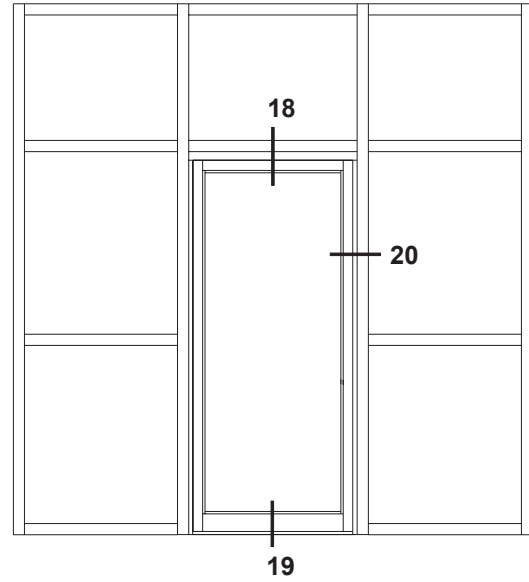
OPTIONAL FRAMING MEMBERS FOR 1" GLAZING



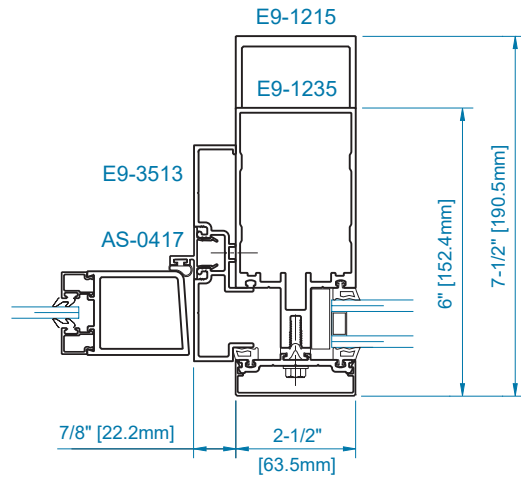
DOOR FRAMING MEMBERS FOR 1" GLAZING



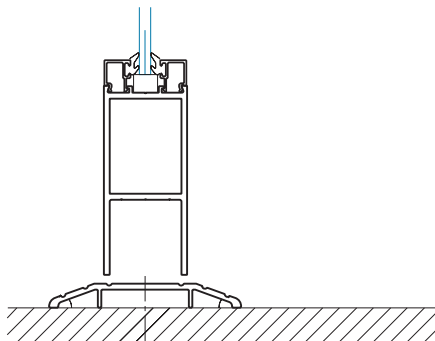
SECTION 18
TRANSOM BAR



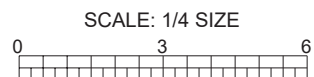
SECTION 18A
OPTIONAL TRANSOM BAR
(Limited Hardware Applications)



SECTION 20
DOOR JAMB

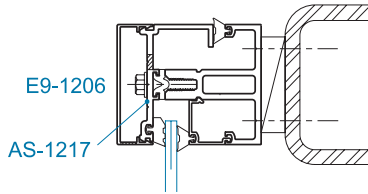


SECTION 19
BOTTOM RAIL

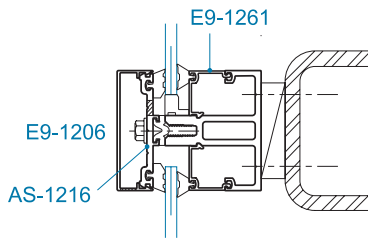


VENEER WALL FRAMING MEMBERS

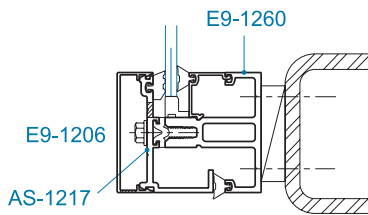
1/4" Glazing



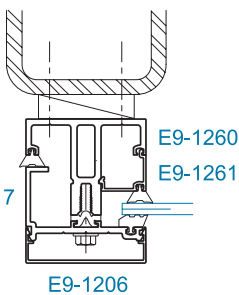
SECTION 1
HEAD



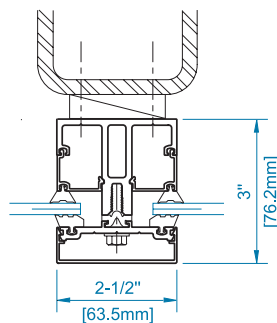
SECTION 2
HORIZONTAL



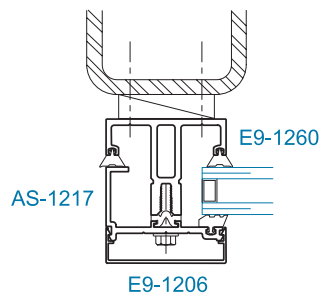
SECTION 3
SILL



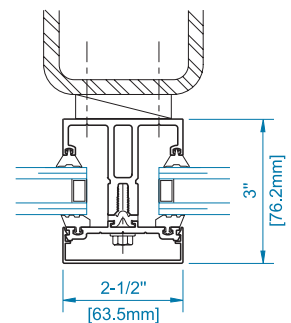
SECTION 4
JAMB



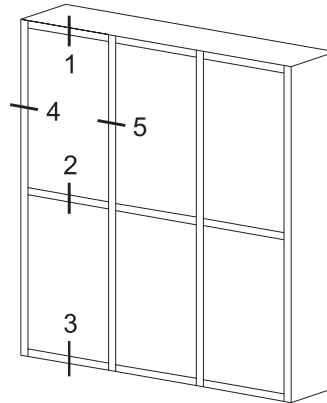
SECTION 5
VERTICAL



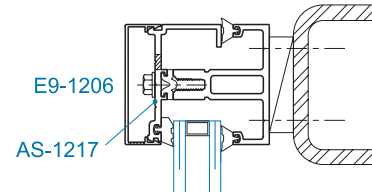
SECTION 4
JAMB



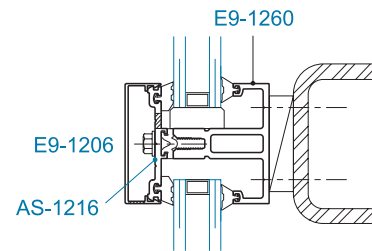
SECTION 5
VERTICAL



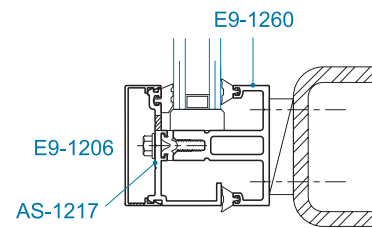
1" Glazing



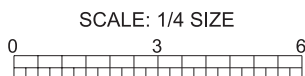
SECTION 1
HEAD



SECTION 2
HORIZONTAL



SECTION 3
SILL



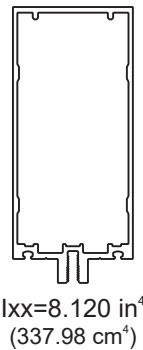
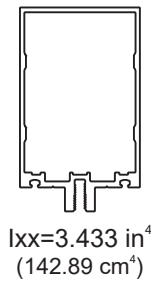
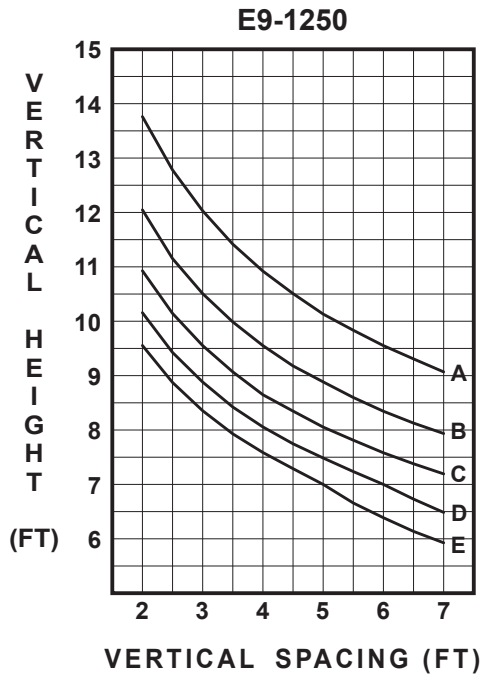
WIND LOAD CHARTS FOR SINGLE SPAN APPLICATIONS

DEFLECTION CRITERIA AAMA TIR-A11 - L/175 MAXIMUM UP TO 13'-6" or L/240 + 1/4" (6.4mm) - FOR SPANS GREATER THAN 13'-6" (4.1m) BUT LESS THAN 40'-0" (12.2m)
 CODES AND SPECIFICATIONS MAY VARY, NO SINGLE LITE OF GLASS SHALL DEFLECT MORE THAN 3/4" (19.1mm)

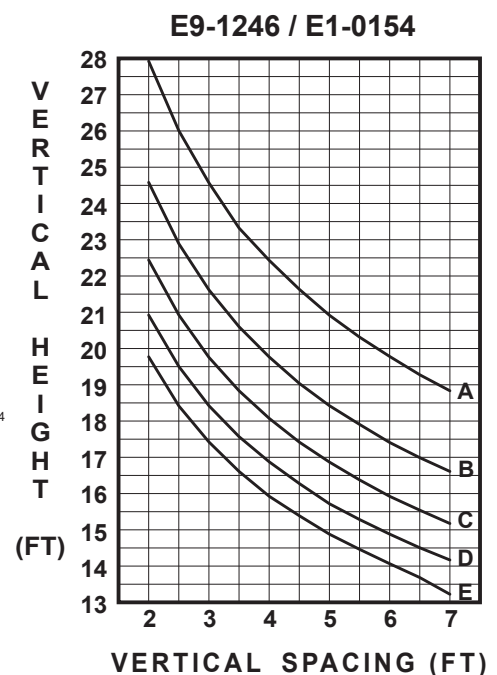
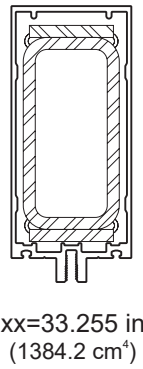
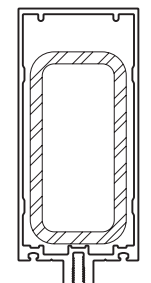
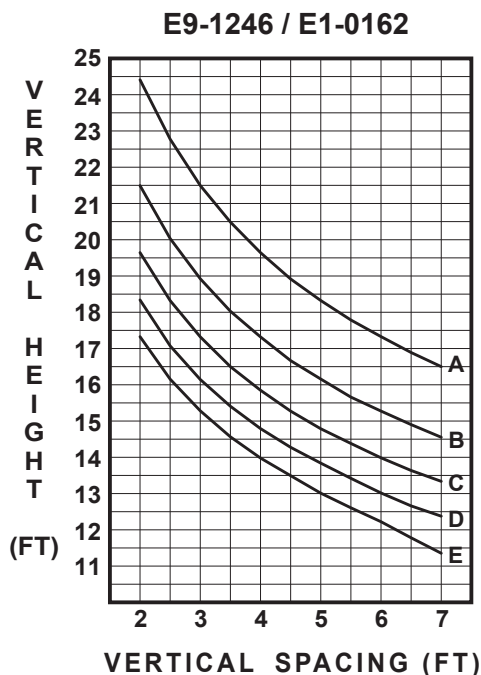
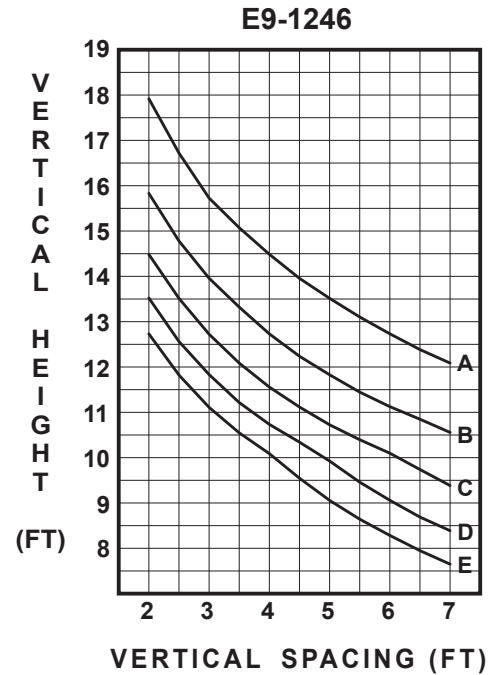
ALLOWABLE WIND LOAD STRESS

YKK AP tested standard. Contact YKK AP for more information.

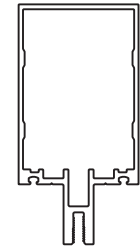
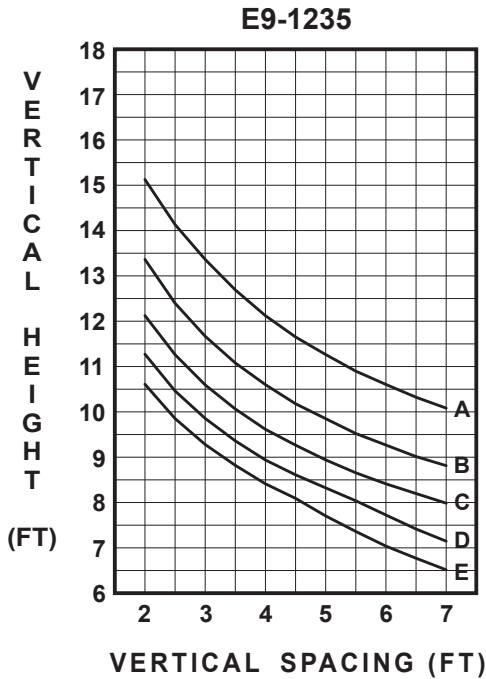
These charts include unbraced length analysis and are based on at least one horizontal being placed at the midpoint of the span.
 For other applications, please contact YKK AP engineers at 1-866-955-2732.



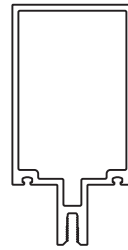
A=20 PSF (960 Pa)
 B=30 PSF (1440 Pa)
 C=40 PSF (1920 Pa)
 D=50 PSF (2390 Pa)
 E=60 PSF (2870 Pa)



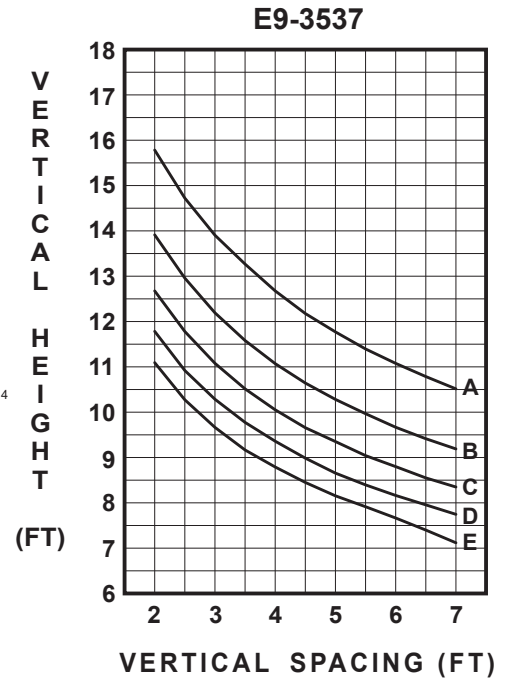
WIND LOAD CHARTS FOR SINGLE SPAN APPLICATIONS



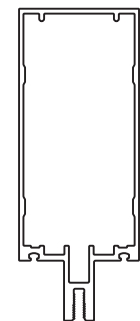
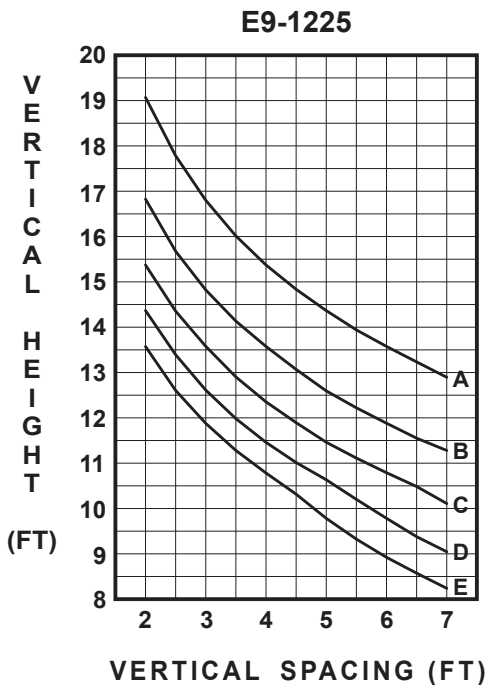
$I_{xx}=4.689 \text{ in}^4$
(195.17 cm^4)



$I_{xx}=5.353 \text{ in}^4$
(222.81 cm^4)



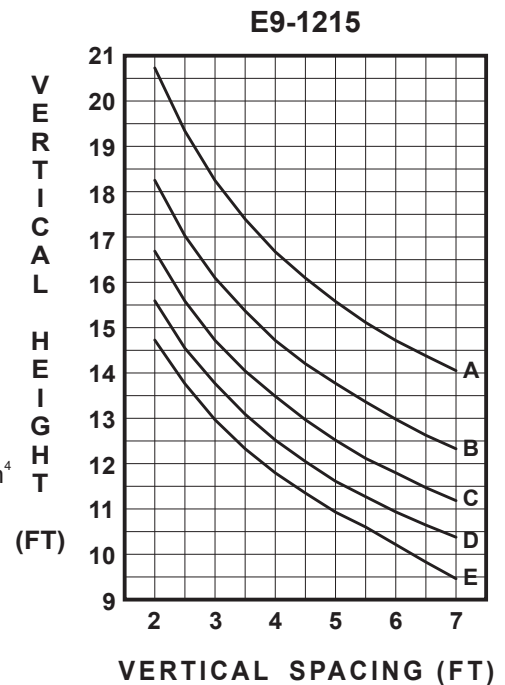
A=20 PSF (960 Pa)
 B=30 PSF (1440 Pa)
 C=40 PSF (1920 Pa)
 D=50 PSF (2390 Pa)
 E=60 PSF (2870 Pa)



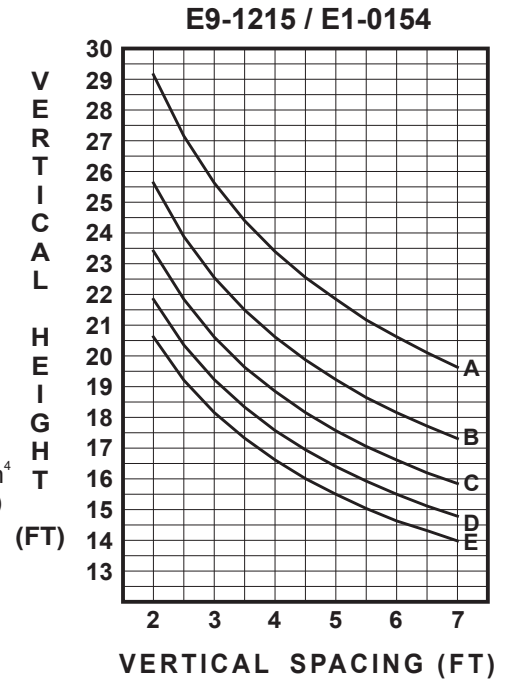
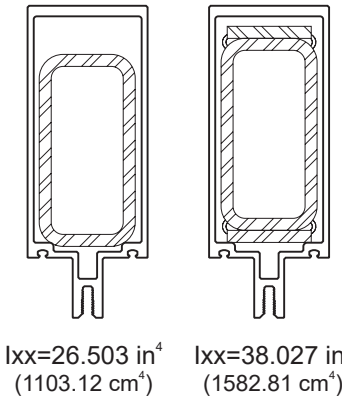
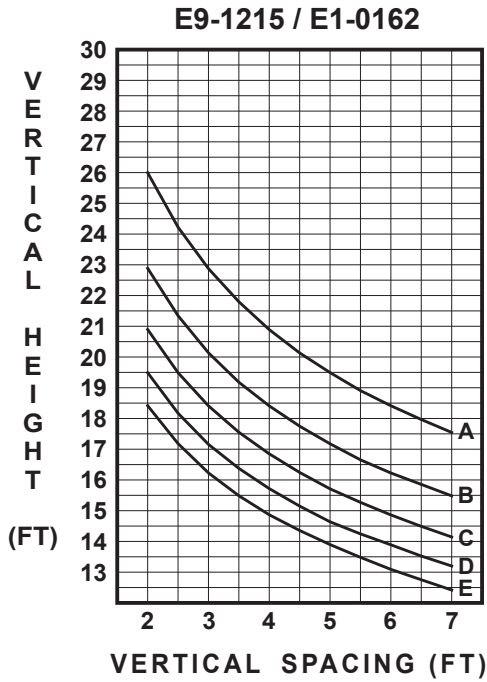
$I_{xx}=9.870 \text{ in}^4$
(410.82 cm^4)



$I_{xx}=12.890 \text{ in}^4$
(536.52 cm^4)



WIND LOAD CHARTS FOR SINGLE SPAN APPLICATIONS



- A=20 PSF (960 Pa)
- B=30 PSF (1440 Pa)
- C=40 PSF (1920 Pa)
- D=50 PSF (2390 Pa)
- E=60 PSF (2870 Pa)