

TABLE OF CONTENTS

**YCW 750 IG INSIDE GLAZED CURTAIN WALL SYSTEM
FOR 1/4" AND 1" GLAZING**

PICTORIAL VIEW..... Page 2

TYPICAL SPLICE CONDITION Page 3

MULLION END ANCHORS..... Page 4

FRAMING MEMBERS..... Page 5 to 8
FOR 1/4" GLAZING (1/4 SIZE)

CORNER FRAMING MEMBERS Page 9 to 10
FOR 1/4" GLAZING (1/4 SIZE)

FRAMING MEMBERS..... Page 11 to 14
FOR 1" GLAZING (1/4 SIZE)

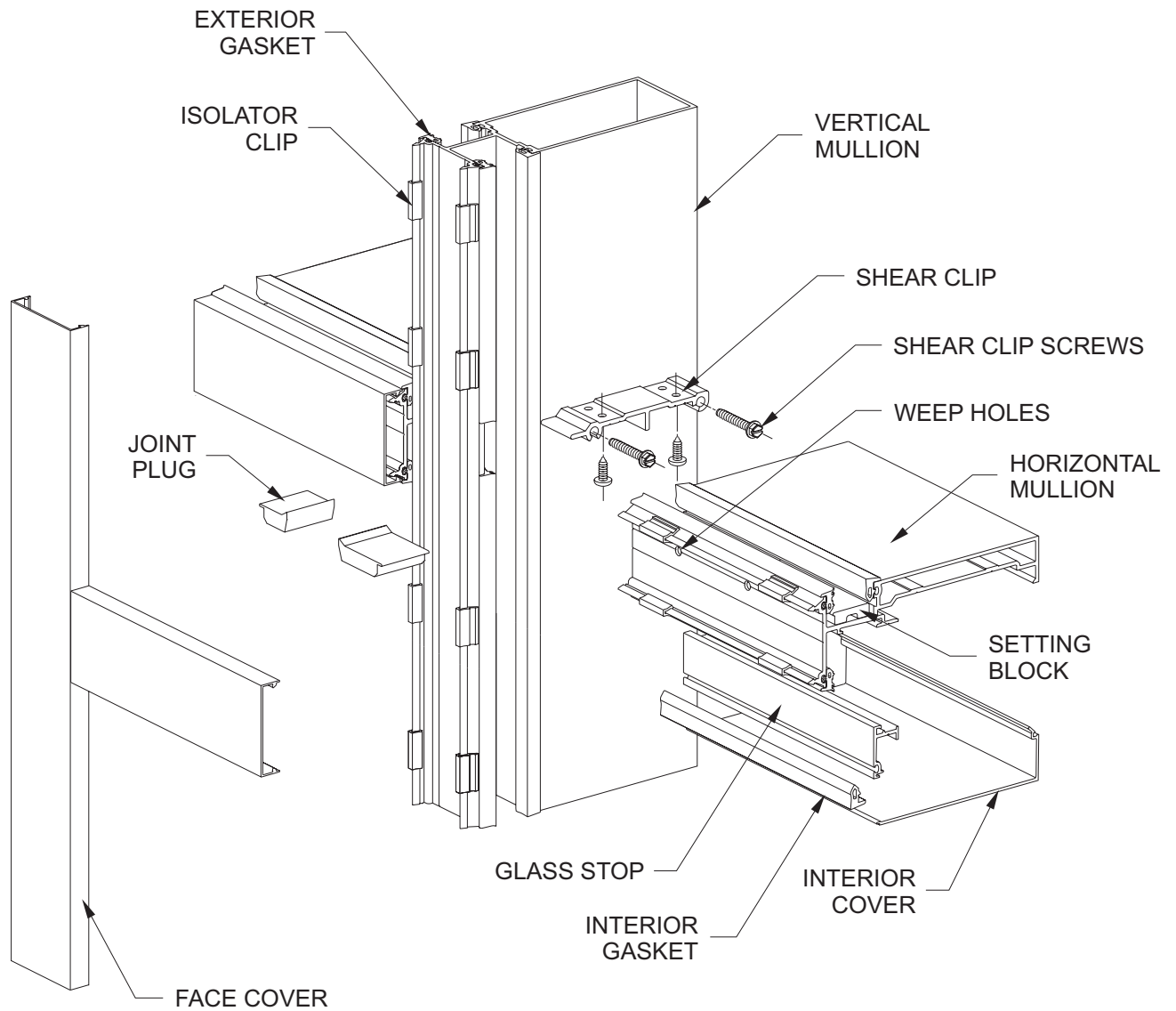
CORNER FRAMING MEMBERS..... Page 15 to 16
FOR 1" GLAZING (1/4 SIZE)

DOOR FRAMING MEMBERS (1/4 SIZE)..... Page 17

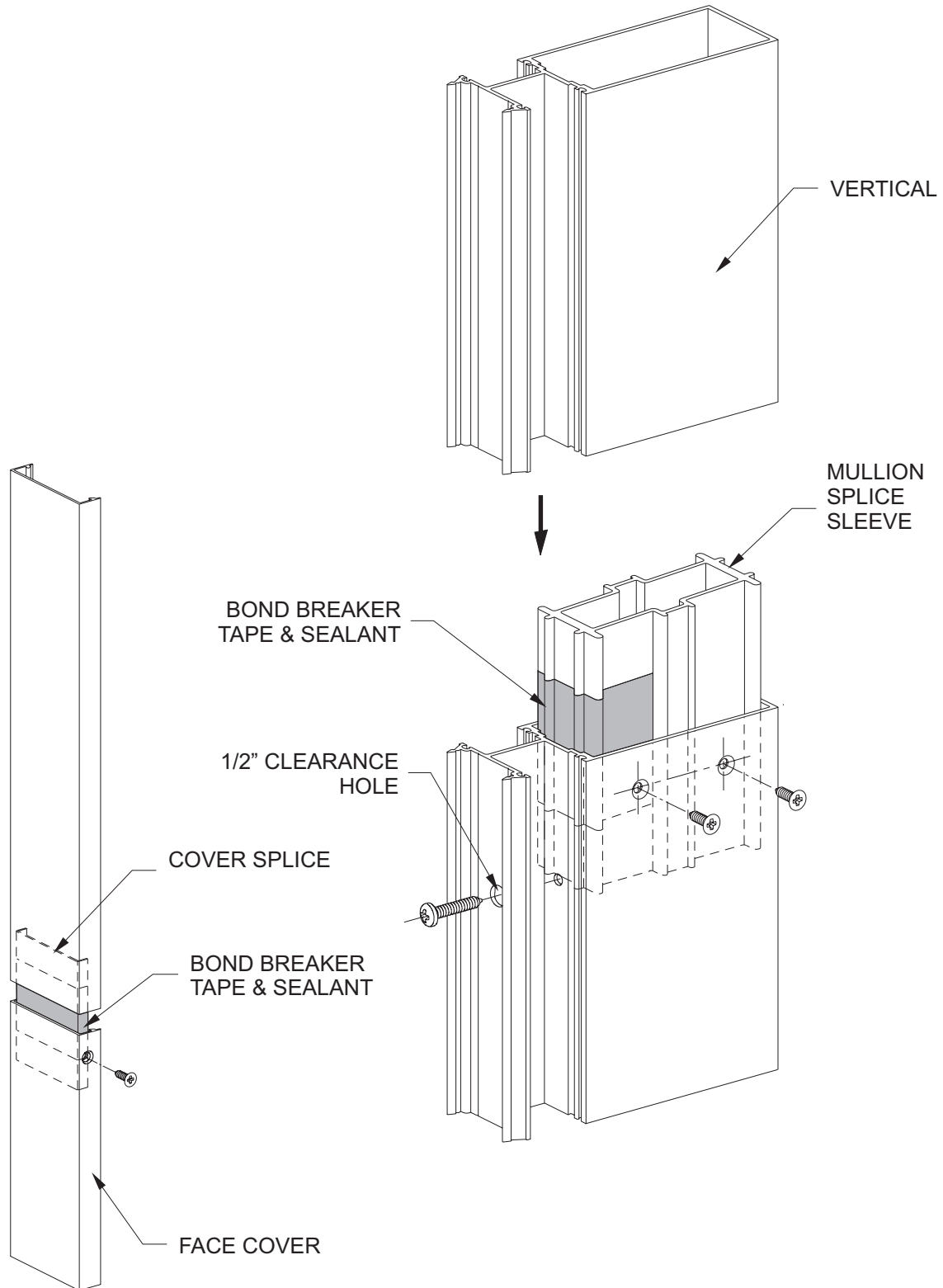
WIND LOAD CHARTS Page 18

*The latest installation instructions for this product are available at www.ykkap.com.

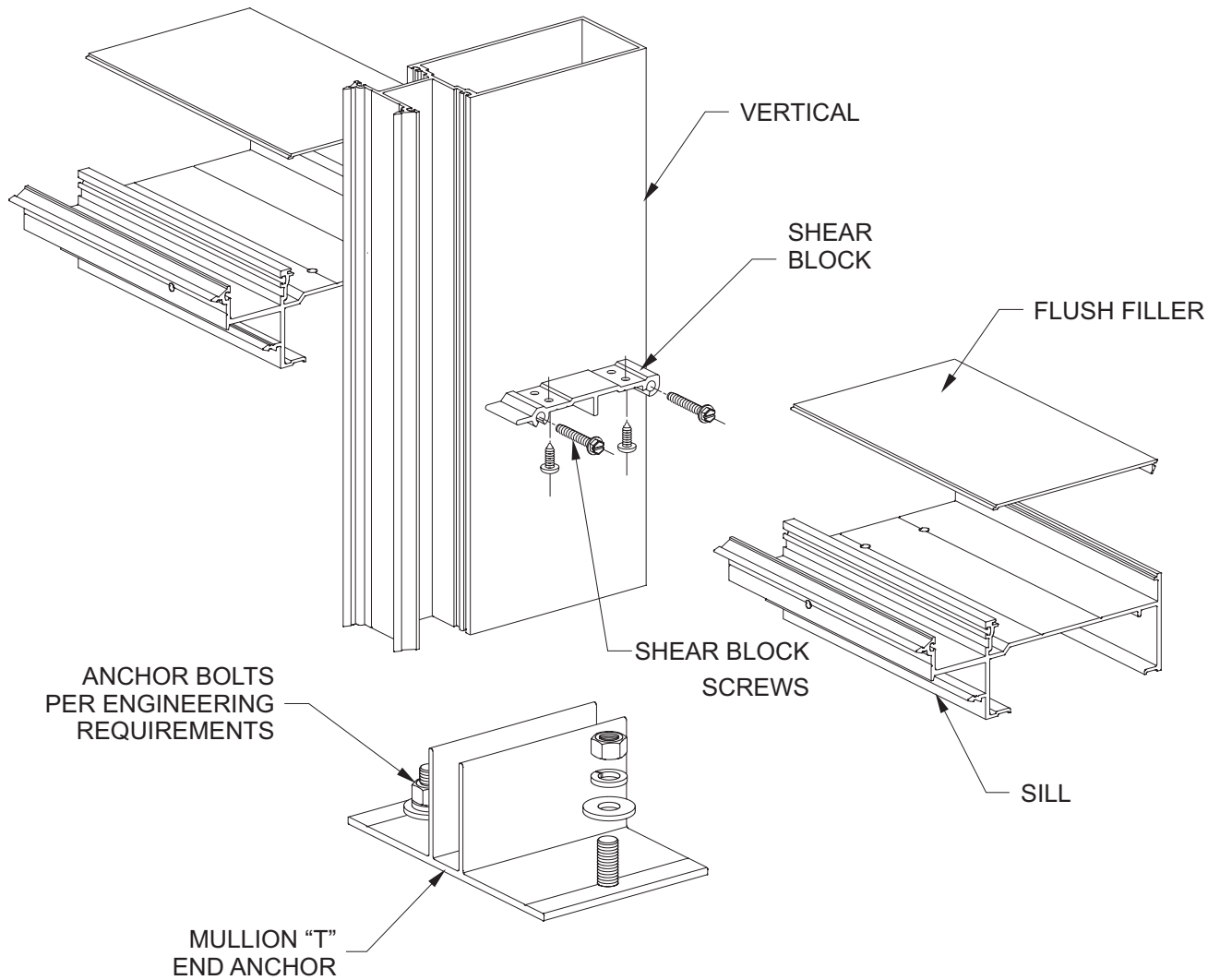
**YCW 750 IG INSIDE GLAZED
CURTAIN WALL SYSTEM**



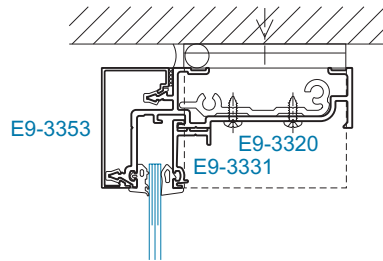
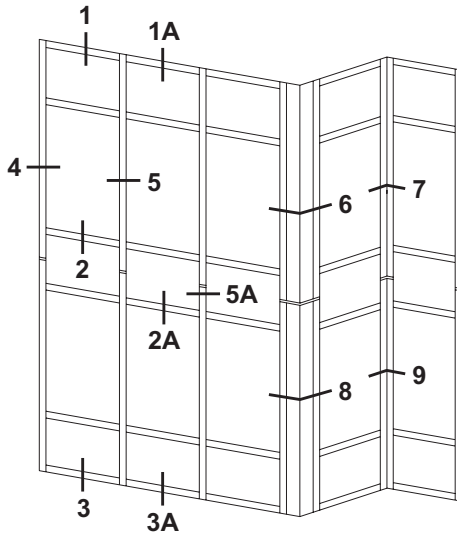
TYPICAL SPLICE CONDITION



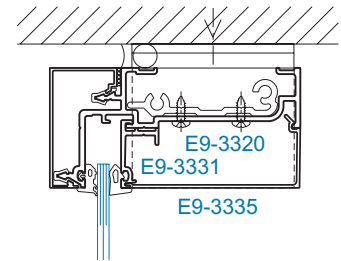
VERTICAL MULLION END "T" ANCHOR



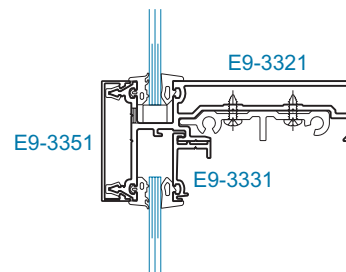
**FRAMING MEMBERS FOR 1/4" GLAZING
STANDARD INSIDE GLAZING**



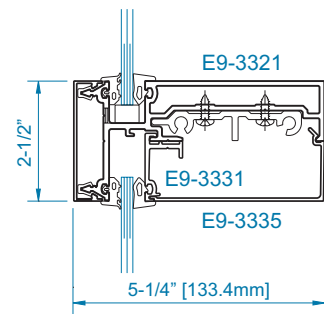
SECTION 1
HEAD



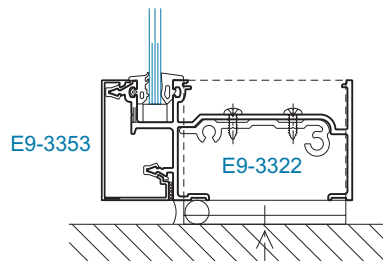
SECTION 1A
HEAD



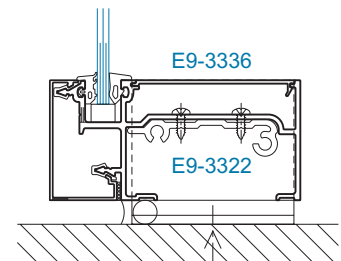
SECTION 2
HORIZONTAL



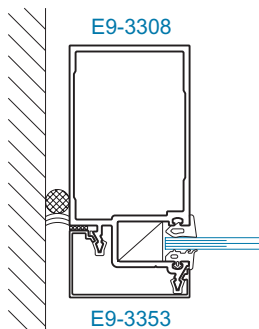
SECTION 2A
HORIZONTAL



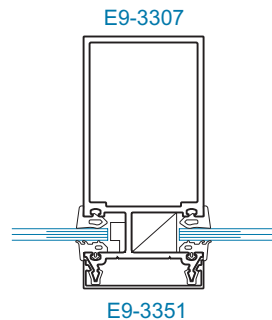
SECTION 3
SILL



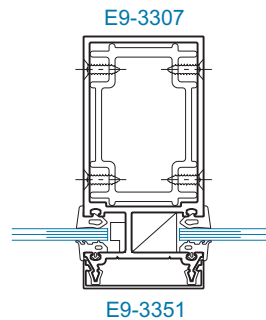
SECTION 3A
SILL



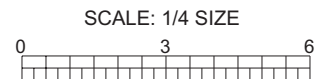
SECTION 4
JAMB



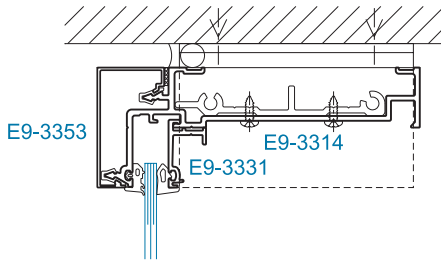
SECTION 5
VERTICAL



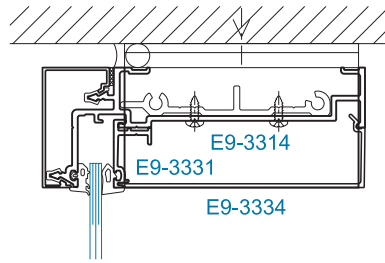
SECTION 5A
VERTICAL WITH SPLICE
SLEEVE OR OPTIONAL
REINFORCEMENT SLEEVE



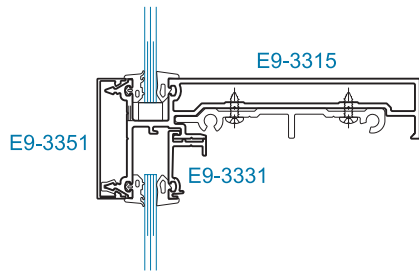
**FRAMING MEMBERS FOR 1/4" GLAZING
STANDARD INSIDE GLAZING**



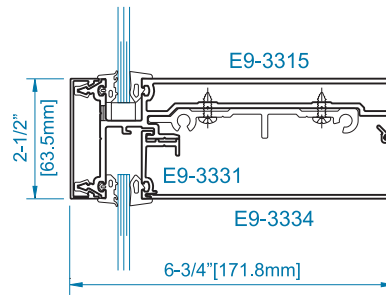
**SECTION 1
HEAD**



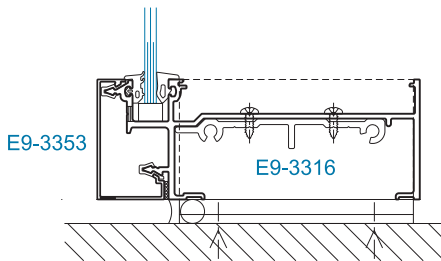
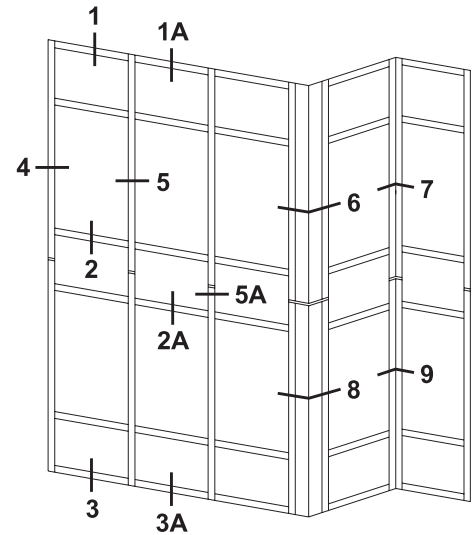
**SECTION 1A
HEAD**



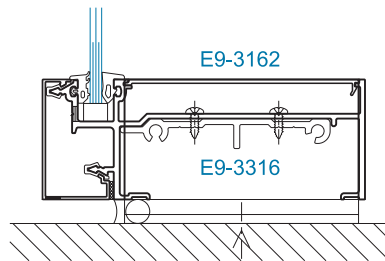
**SECTION 2
HORIZONTAL**



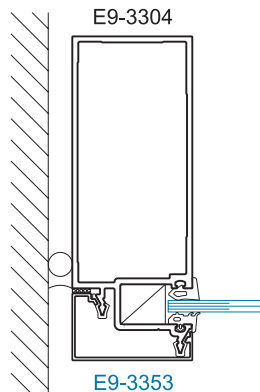
**SECTION 2A
HORIZONTAL**



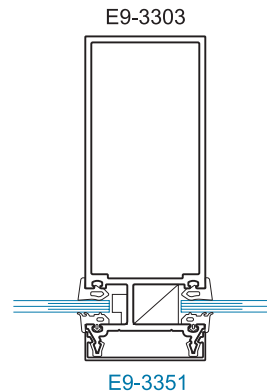
**SECTION 3
Sill**



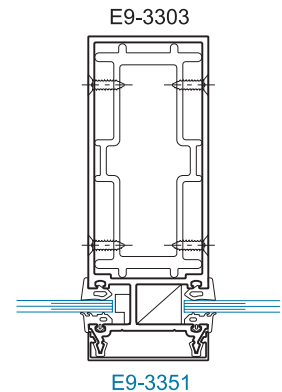
**SECTION 3A
Sill**



**SECTION 4
JAMB**



**SECTION 5
VERTICAL**

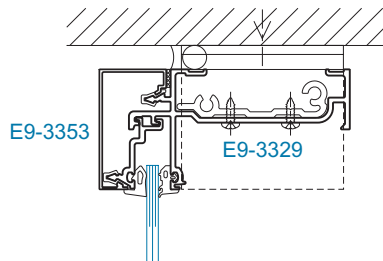
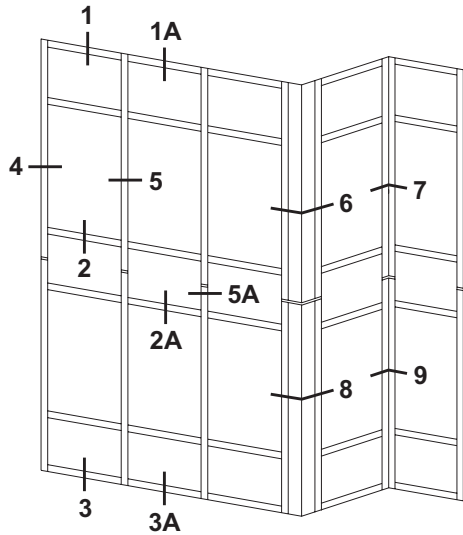


**SECTION 5A
VERTICAL WITH SPLICE
SLEEVE OR OPTIONAL
REINFORCEMENT SLEEVE**

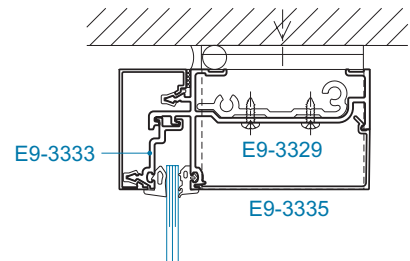
SCALE: 1/4 SIZE



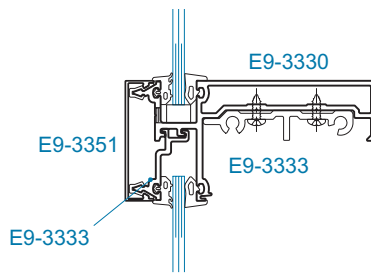
FRAMING MEMBERS FOR 1/4" GLAZING
OPTIONAL OUTSIDE GLAZING



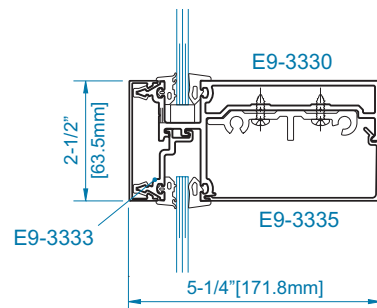
SECTION 1
HEAD



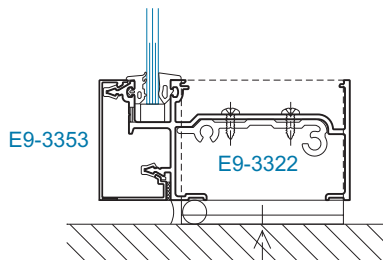
SECTION 1A
HEAD



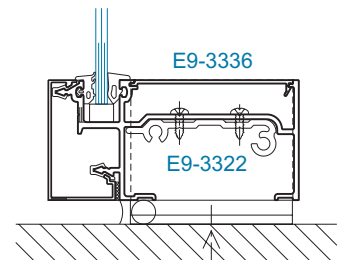
SECTION 2
HORIZONTAL



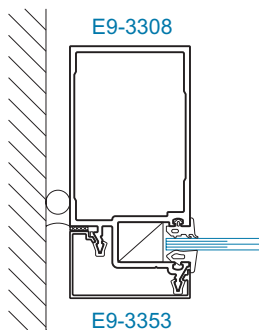
SECTION 2A
HORIZONTAL



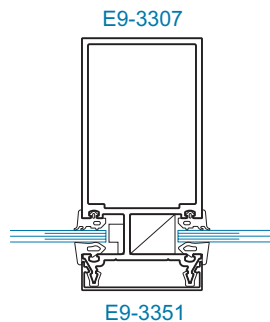
SECTION 3
SILL



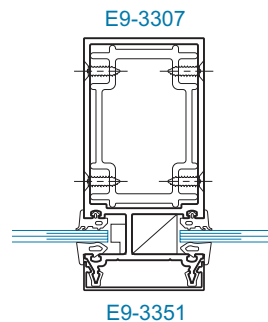
SECTION 3A
SILL



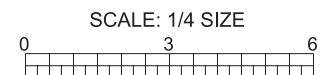
SECTION 4
JAMB



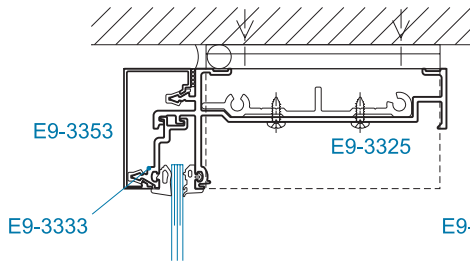
SECTION 5
VERTICAL



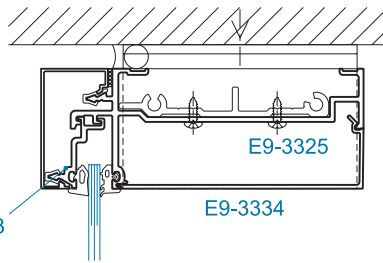
SECTION 5A
VERTICAL WITH SPLICE
SLEEVE OR OPTIONAL
REINFORCEMENT SLEEVE



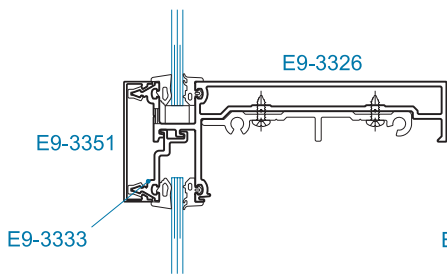
**FRAMING MEMBERS FOR 1/4" GLAZING
OPTIONAL OUTSIDE GLAZING**



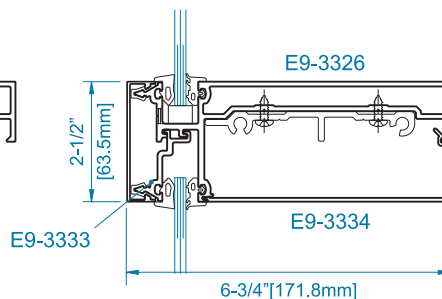
**SECTION 1
HEAD**



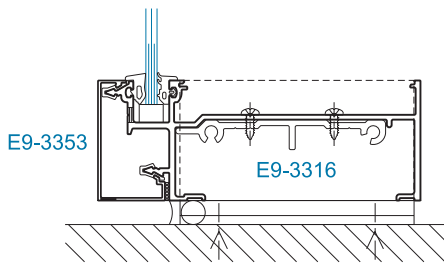
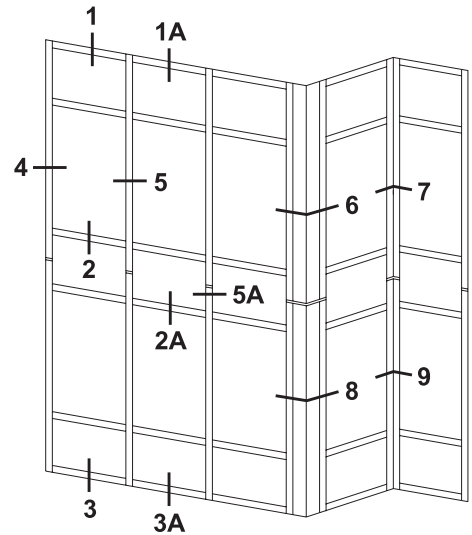
**SECTION 1A
HEAD**



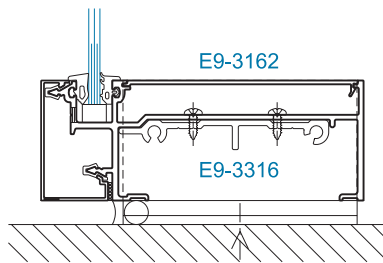
**SECTION 2
HORIZONTAL**



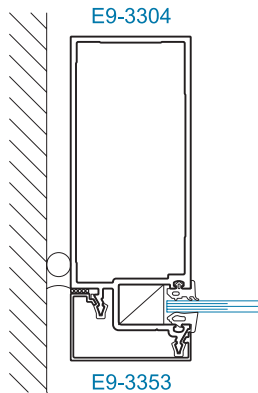
**SECTION 2A
HORIZONTAL**



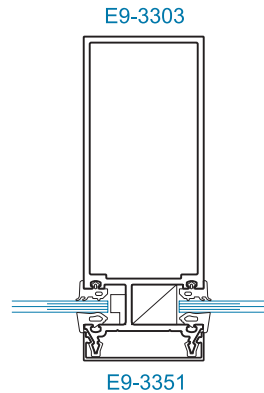
**SECTION 3
SILL**



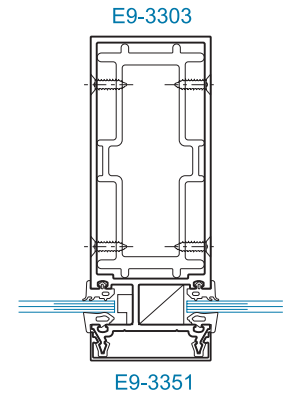
**SECTION 3A
SILL**



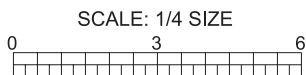
**SECTION 4
Jamb**



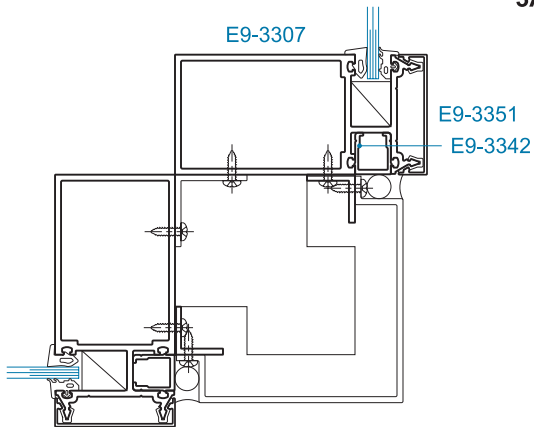
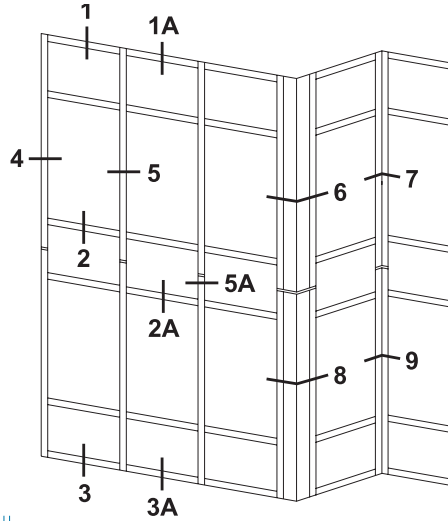
**SECTION 5
VERTICAL**



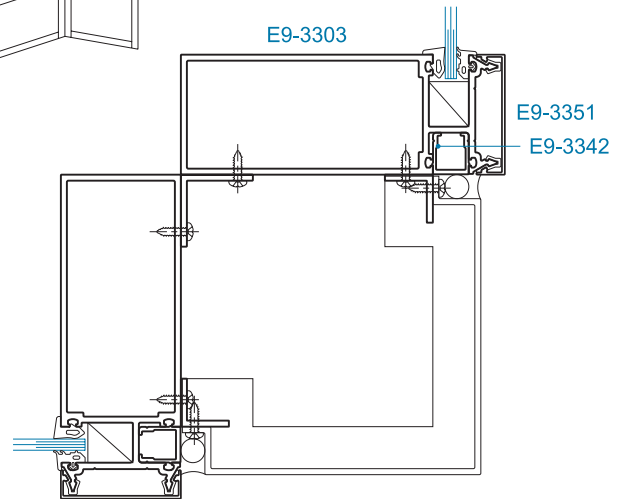
**SECTION 5A
VERTICAL WITH SPLICE
SLEEVE OR OPTIONAL
REINFORCEMENT SLEEVE**



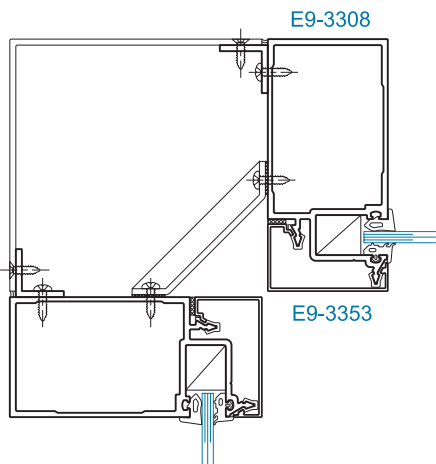
CORNER FRAMING MEMBERS FOR 1/4" GLAZING



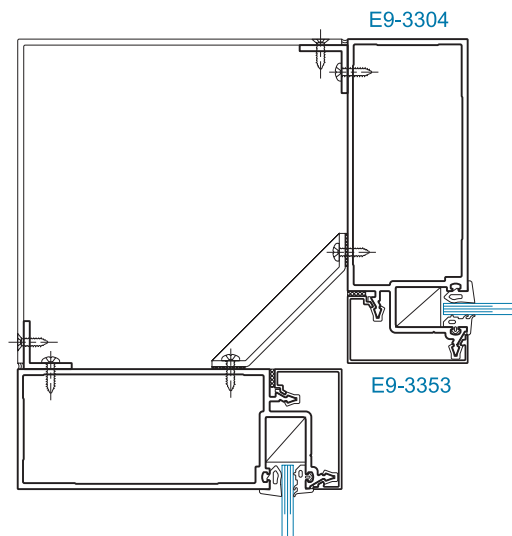
SECTION 6
90° OUTSIDE CORNER



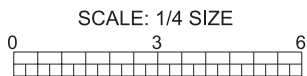
SECTION 6
90° OUTSIDE CORNER



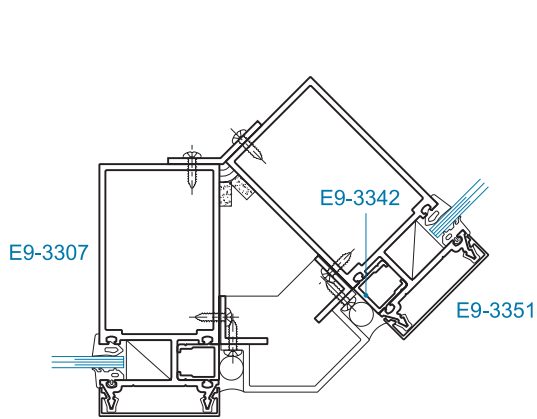
SECTION 7
90° INSIDE CORNER



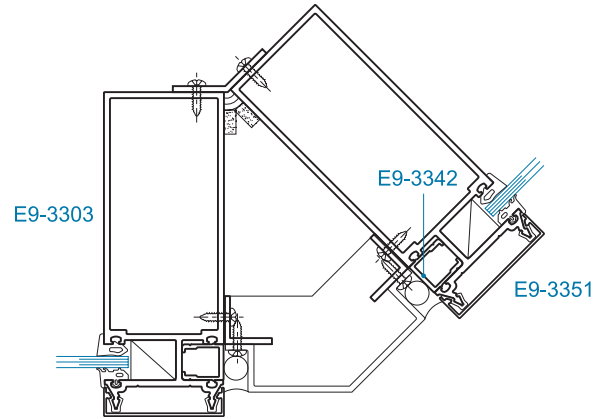
SECTION 7
90° INSIDE CORNER



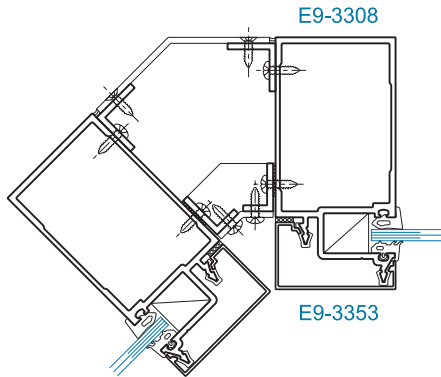
CORNER FRAMING MEMBERS FOR 1/4" GLAZING



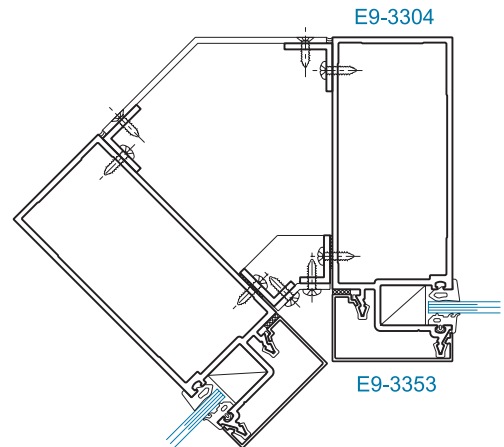
SECTION 8
135° OUTSIDE CORNER



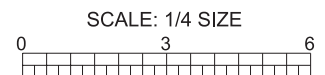
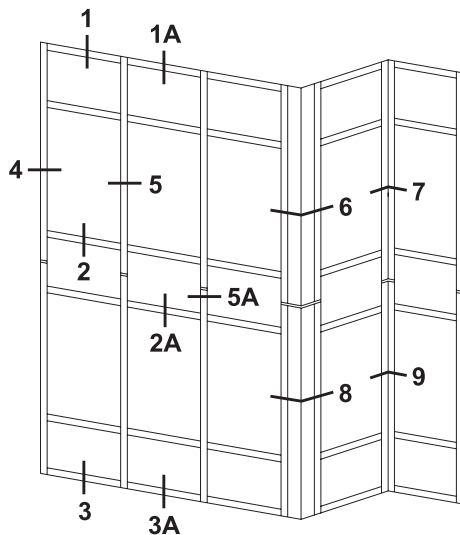
SECTION 8
135° OUTSIDE CORNER



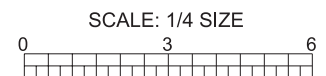
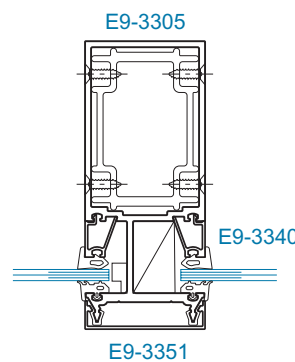
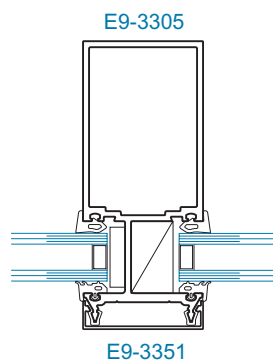
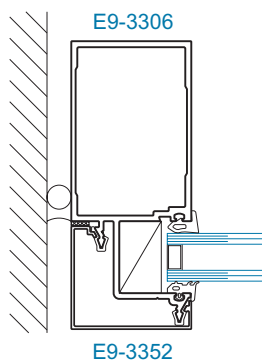
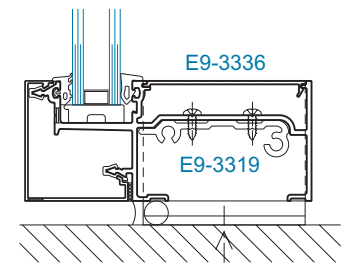
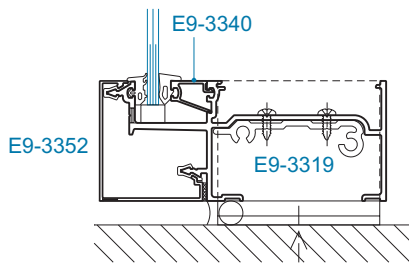
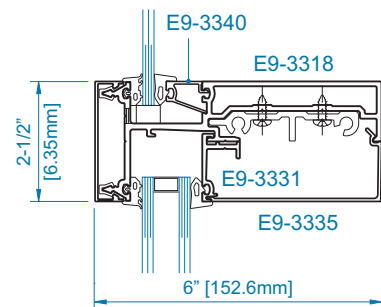
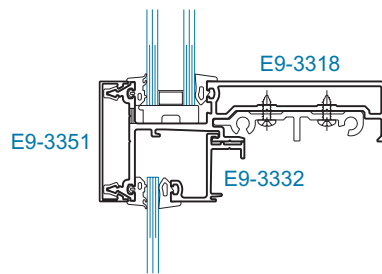
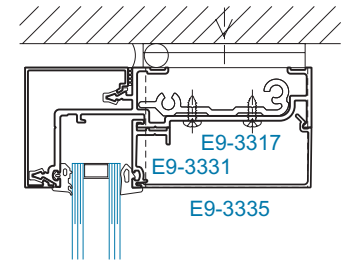
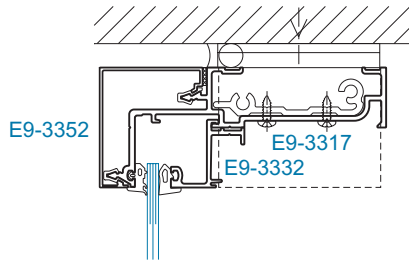
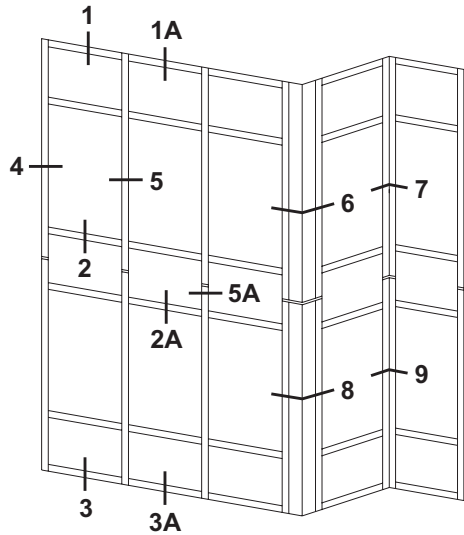
SECTION 9
135° INSIDE CORNER



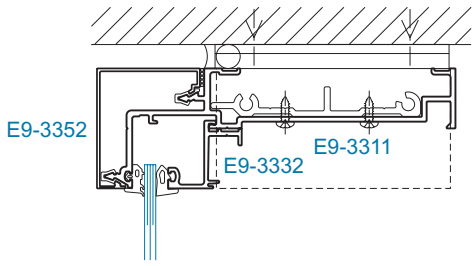
SECTION 9
135° INSIDE CORNER



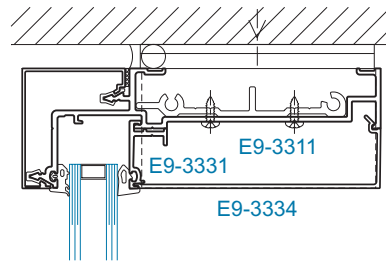
**FRAMING MEMBERS FOR 1" GLAZING
STANDARD INSIDE GLAZING**



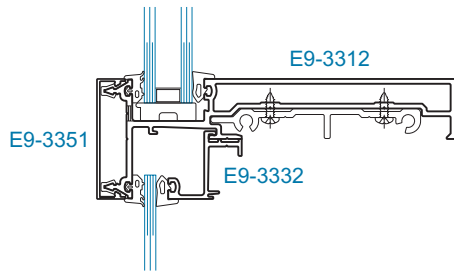
FRAMING MEMBERS FOR 1" GLAZING STANDARD INSIDE GLAZING



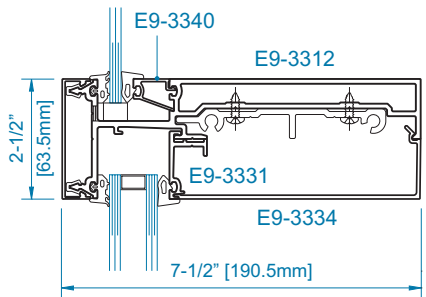
**SECTION 1
HEAD**



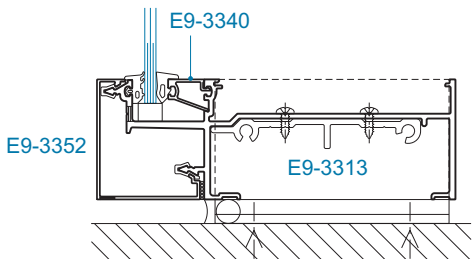
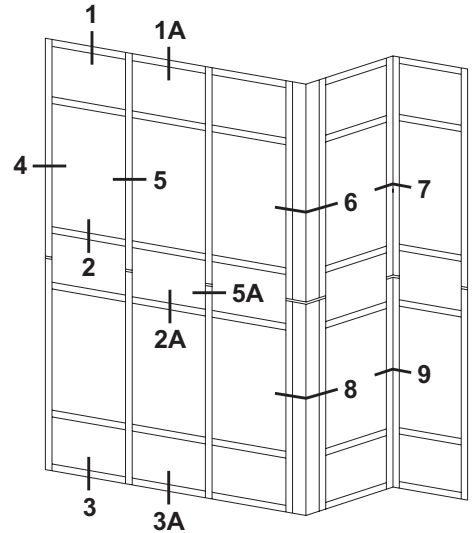
**SECTION 1A
HEAD**



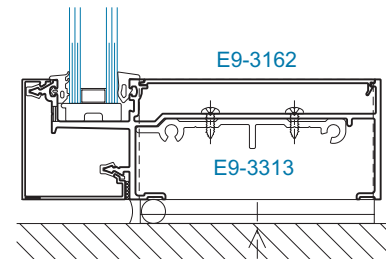
**SECTION 2
HORIZONTAL**



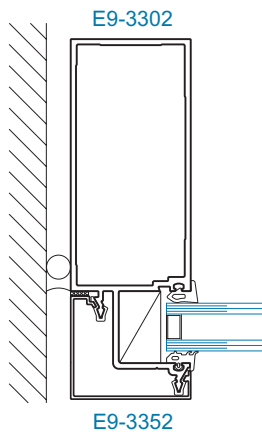
**SECTION 2A
HORIZONTAL**



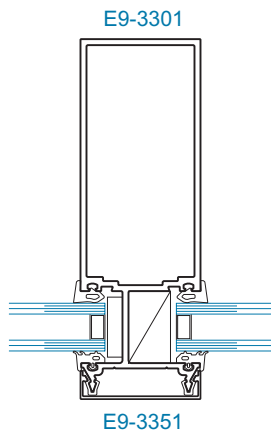
**SECTION 3
SILL**



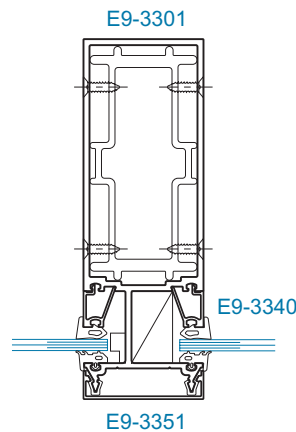
**SECTION 3A
SILL**



**SECTION 4
JAMB**

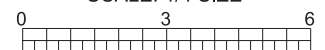


**SECTION 5
VERTICAL**

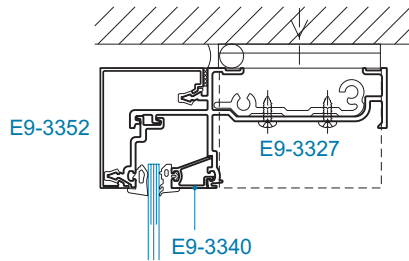
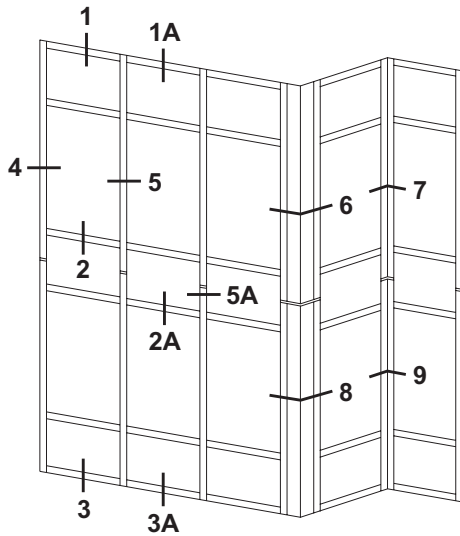


**SECTION 5A
VERTICAL WITH SPLICE
SLEEVE OR OPTIONAL
REINFORCEMENT SLEEVE**

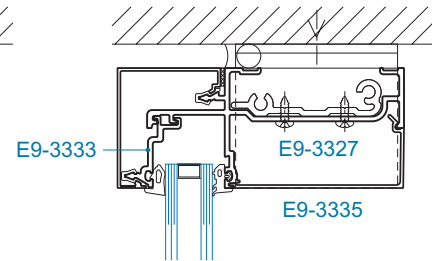
SCALE: 1/4 SIZE



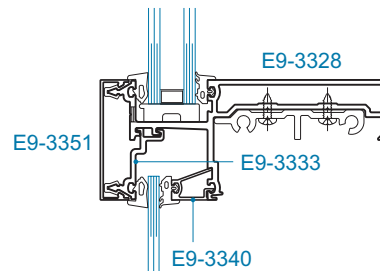
**FRAMING MEMBERS FOR 1" GLAZING
OPTIONAL OUTSIDE GLAZING**



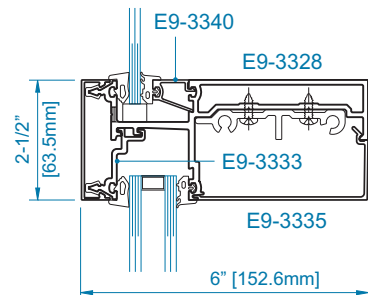
**SECTION 1
HEAD**



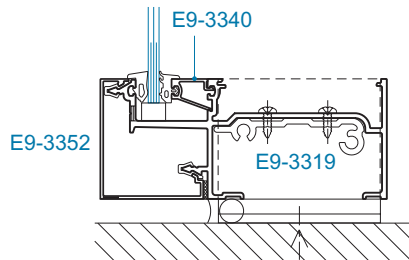
**SECTION 1A
HEAD**



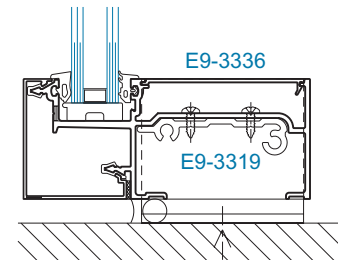
**SECTION 2
HORIZONTAL**



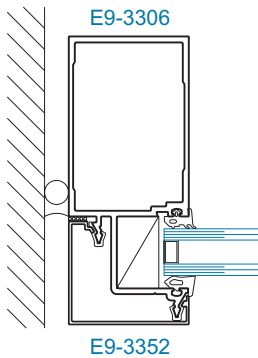
**SECTION 2A
HORIZONTAL**



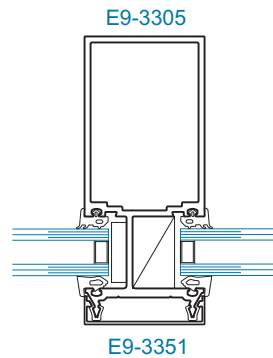
**SECTION 3
SILL**



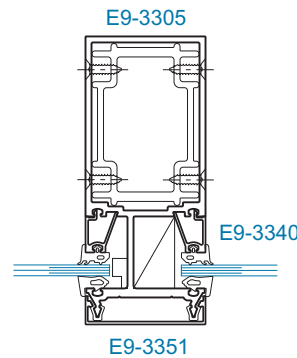
**SECTION 3A
SILL**



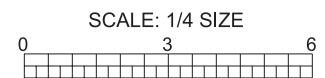
**SECTION 4
JAMB**



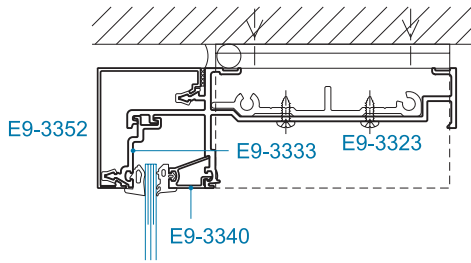
**SECTION 5
VERTICAL**



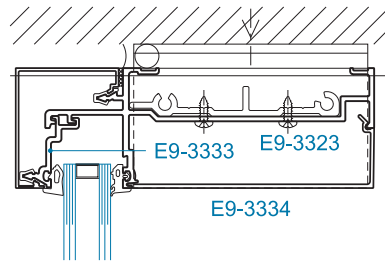
**SECTION 5A
VERTICAL WITH SPLICE
SLEEVE OR OPTIONAL
REINFORCEMENT SLEEVE**



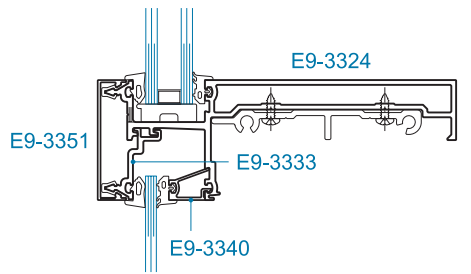
**FRAMING MEMBERS FOR 1" GLAZING
OPTIONAL OUTSIDE GLAZING**



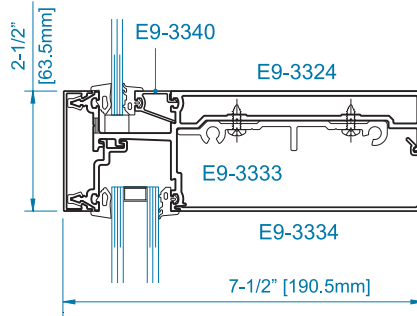
**SECTION 1
HEAD**



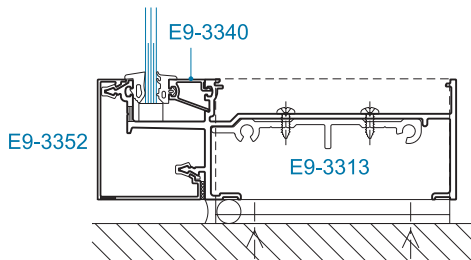
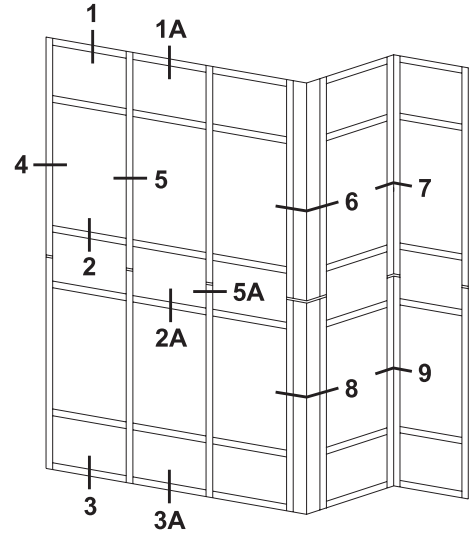
**SECTION 1A
HEAD**



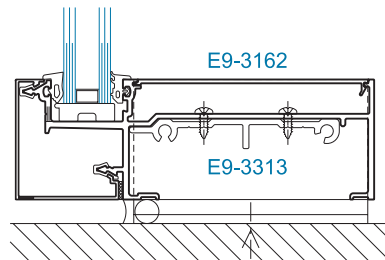
**SECTION 2
HORIZONTAL**



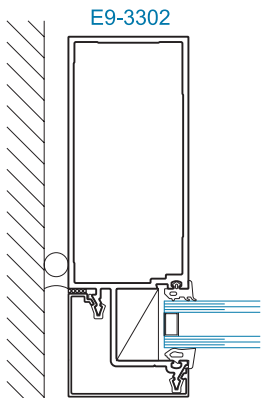
**SECTION 2A
HORIZONTAL**



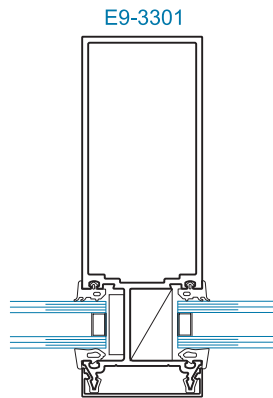
**SECTION 3
SILL**



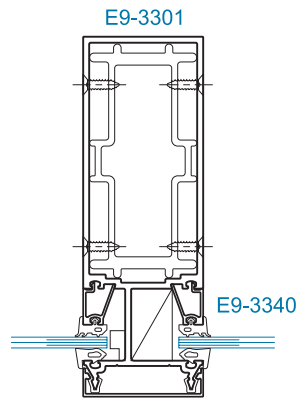
**SECTION 3A
SILL**



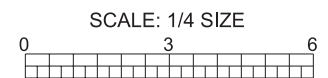
**SECTION 4
JAMB**



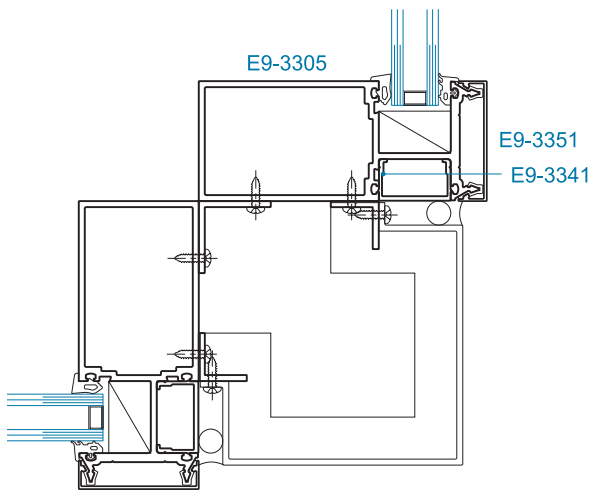
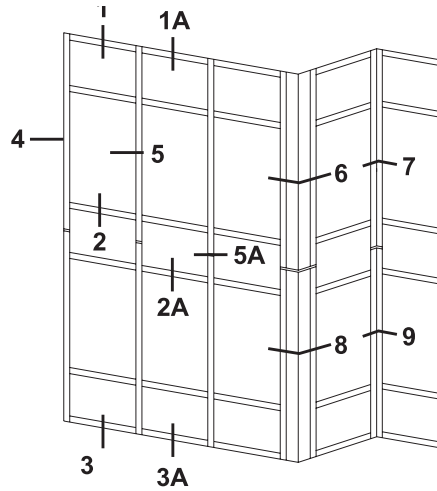
**SECTION 5
VERTICAL**



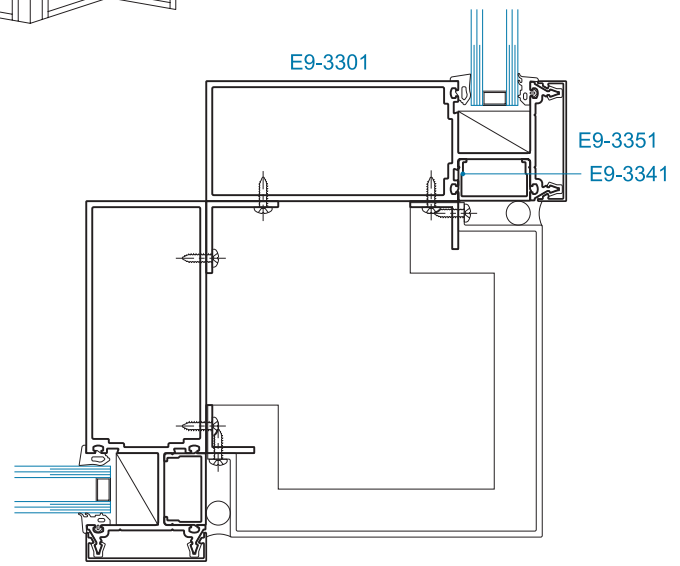
**SECTION 5A
VERTICAL WITH SPLICE
SLEEVE OR OPTIONAL**



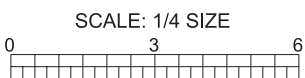
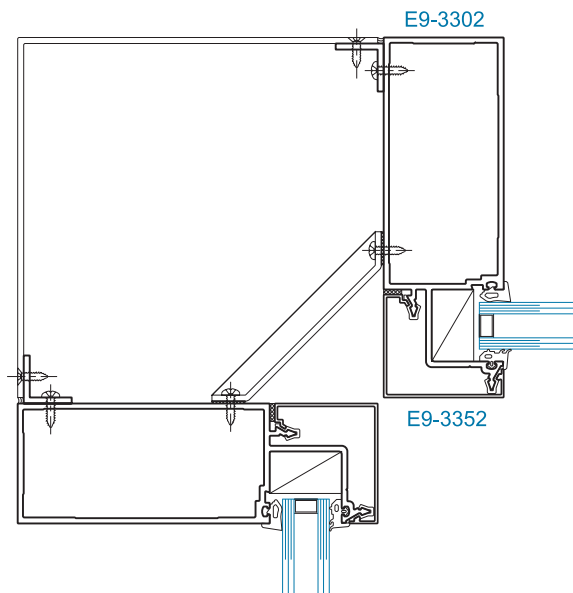
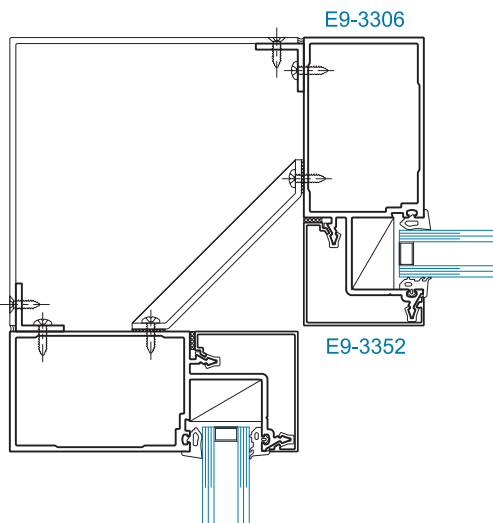
CORNER FRAMING MEMBERS FOR 1" GLAZING



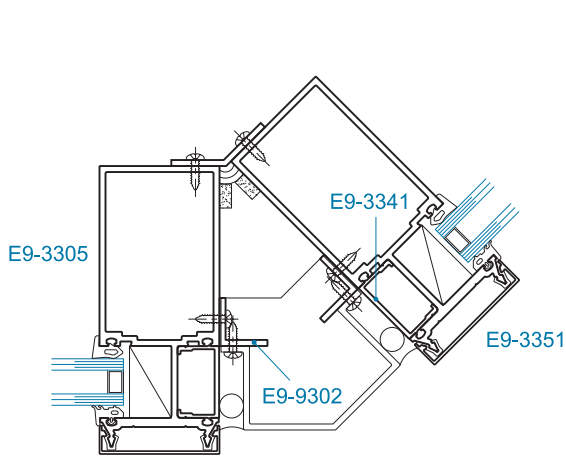
SECTION 6
90° OUTSIDE CORNER



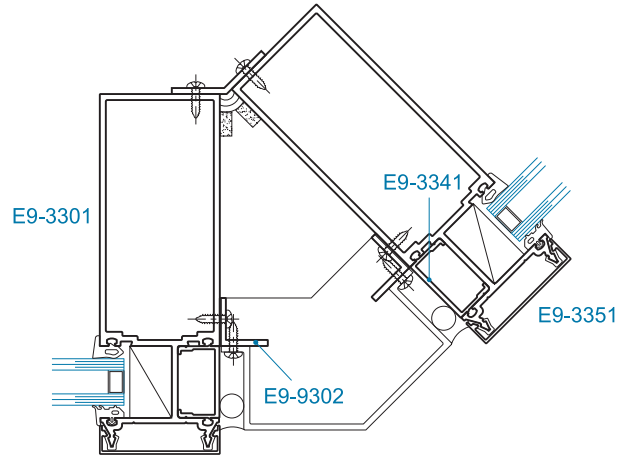
SECTION 6
90° OUTSIDE CORNER



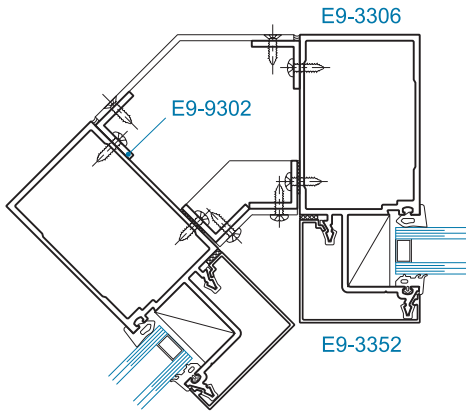
CORNER FRAMING MEMBERS FOR 1" GLAZING



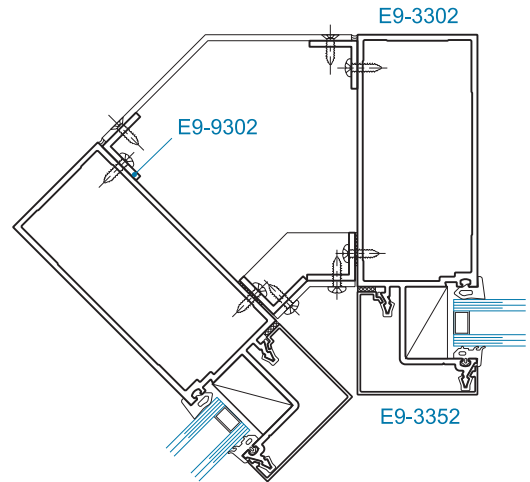
SECTION 8
135° OUTSIDE CORNER



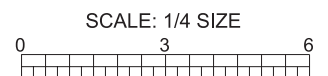
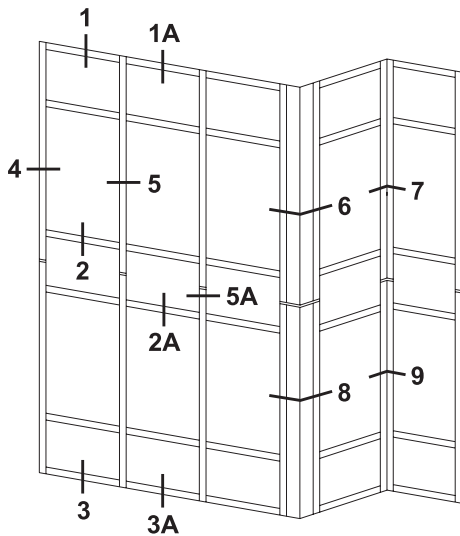
SECTION 8
135° OUTSIDE CORNER



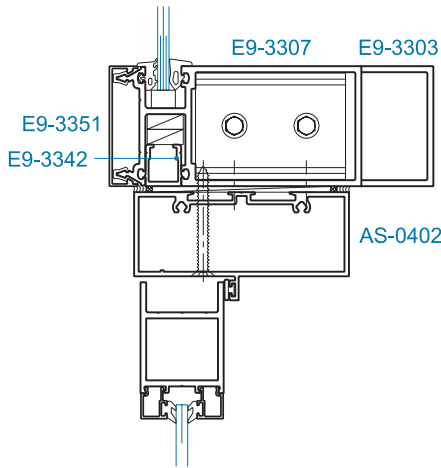
SECTION 9
135° INSIDE CORNER



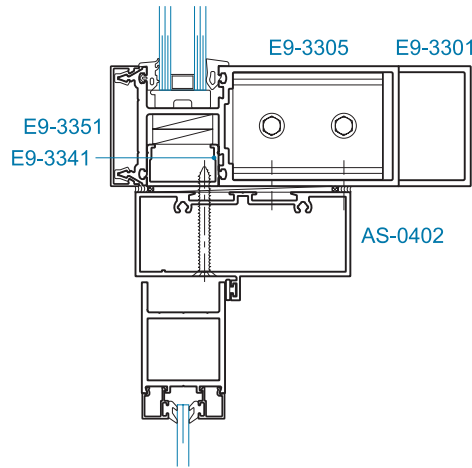
SECTION 9
135° INSIDE CORNER



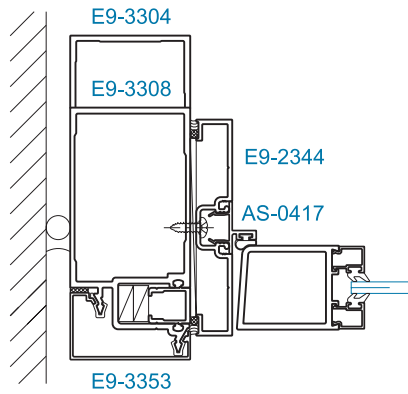
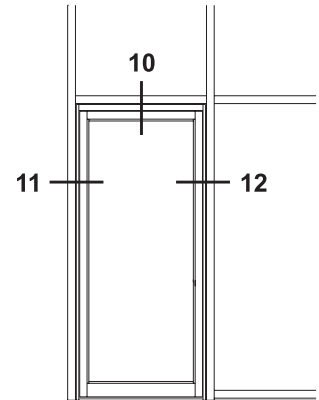
DOOR FRAMING MEMBERS



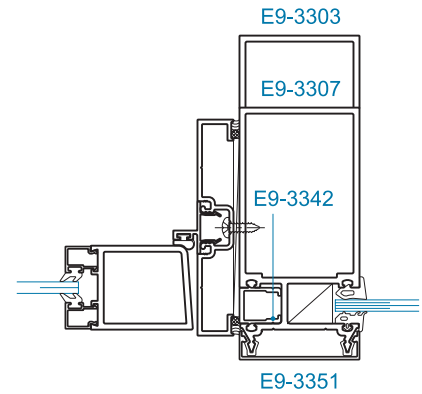
SECTION 10
TRANSOM BAR
1/4" GLAZING



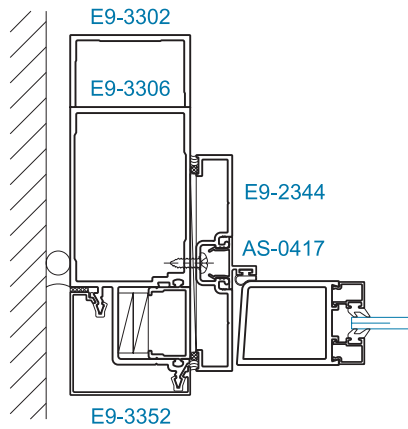
SECTION 10
TRANSOM BAR
1" GLAZING



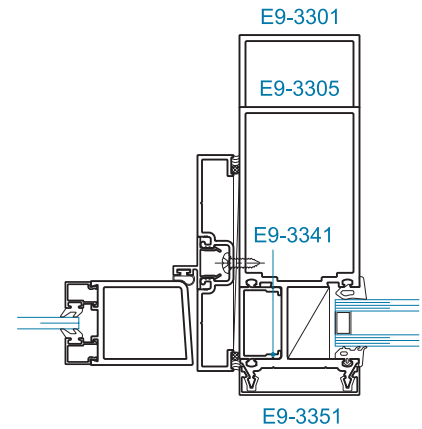
SECTION 11
DOOR JAMB
1/4" GLAZING



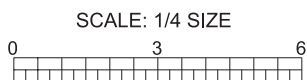
SECTION 12
DOOR JAMB
1/4" GLAZING



SECTION 11
DOOR JAMB
1" GLAZING



SECTION 12
DOOR JAMB
1" GLAZING



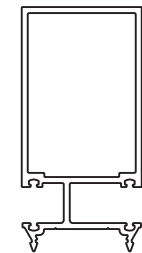
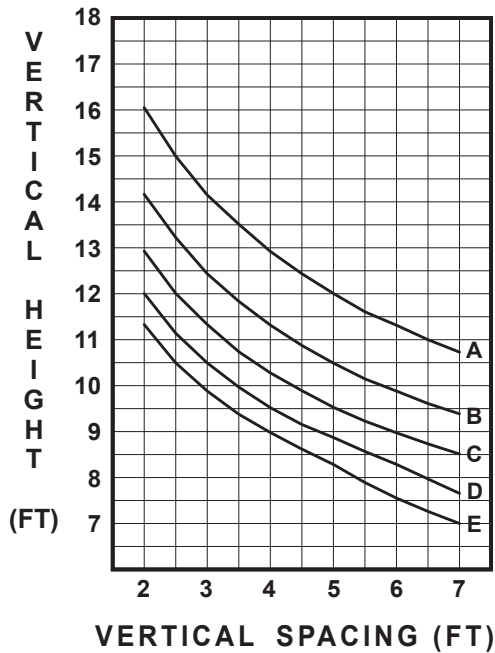
WIND LOAD CHARTS FOR SINGLE SPAN APPLICATIONS

DEFLECTION CRITERIA AAMA TIR-A11 - L/175 or L/240 + 1/4" (6.4mm) - FOR SPANS GREATER THAN 13'-6" (4.1m) BUT LESS THAN 40'-0" (12.2m)
 CODES AND SPECIFICATIONS MAY VARY, NO SINGLE LITE OF GLASS SHALL DEFLECT MORE THAN 3/4" (19.1mm)

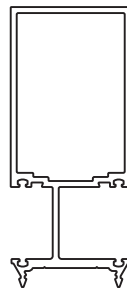
ALLOWABLE WIND LOAD STRESS
 YKK AP tested standard. Contact YKK AP for more information.

These charts include unbraced length analysis and are based off at least one horizontal being placed at the midpoint of the span.
 For other applications, please contact YKK AP engineers at 1-866-955-2732.

E9-3307



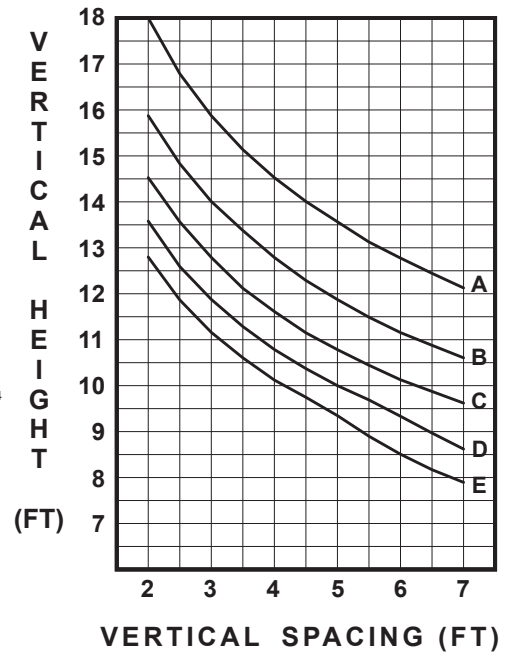
$I_{xx}=5.678 \text{ in}^4$
 (236.34 cm^4)



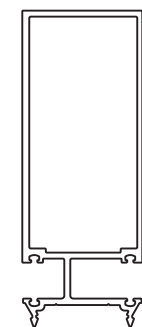
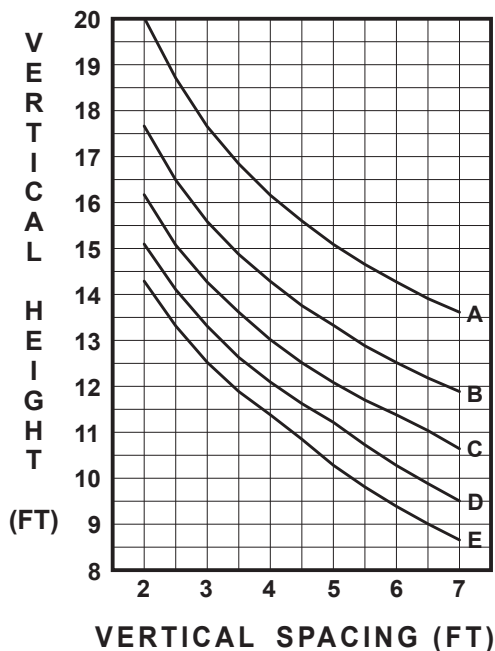
$I_{xx}=8.213 \text{ in}^4$
 (341.85 cm^4)

A=20 PSF (960 Pa)
 B=30 PSF (1440 Pa)
 C=40 PSF (1920 Pa)
 D=50 PSF (2390 Pa)
 E=60 PSF (2870 Pa)

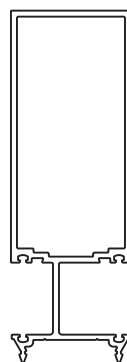
E9-3305



E9-3303



$I_{xx}=11.595 \text{ in}^4$
 (482.62 cm^4)



$I_{xx}=13.903 \text{ in}^4$
 (578.7 cm^4)

E9-3301

