

TABLE OF CONTENTS

**YES 45 FT THERMAL STOREFRONT SYSTEM FOR 1" GLAZING
2-1/4" x 4-1/2"**

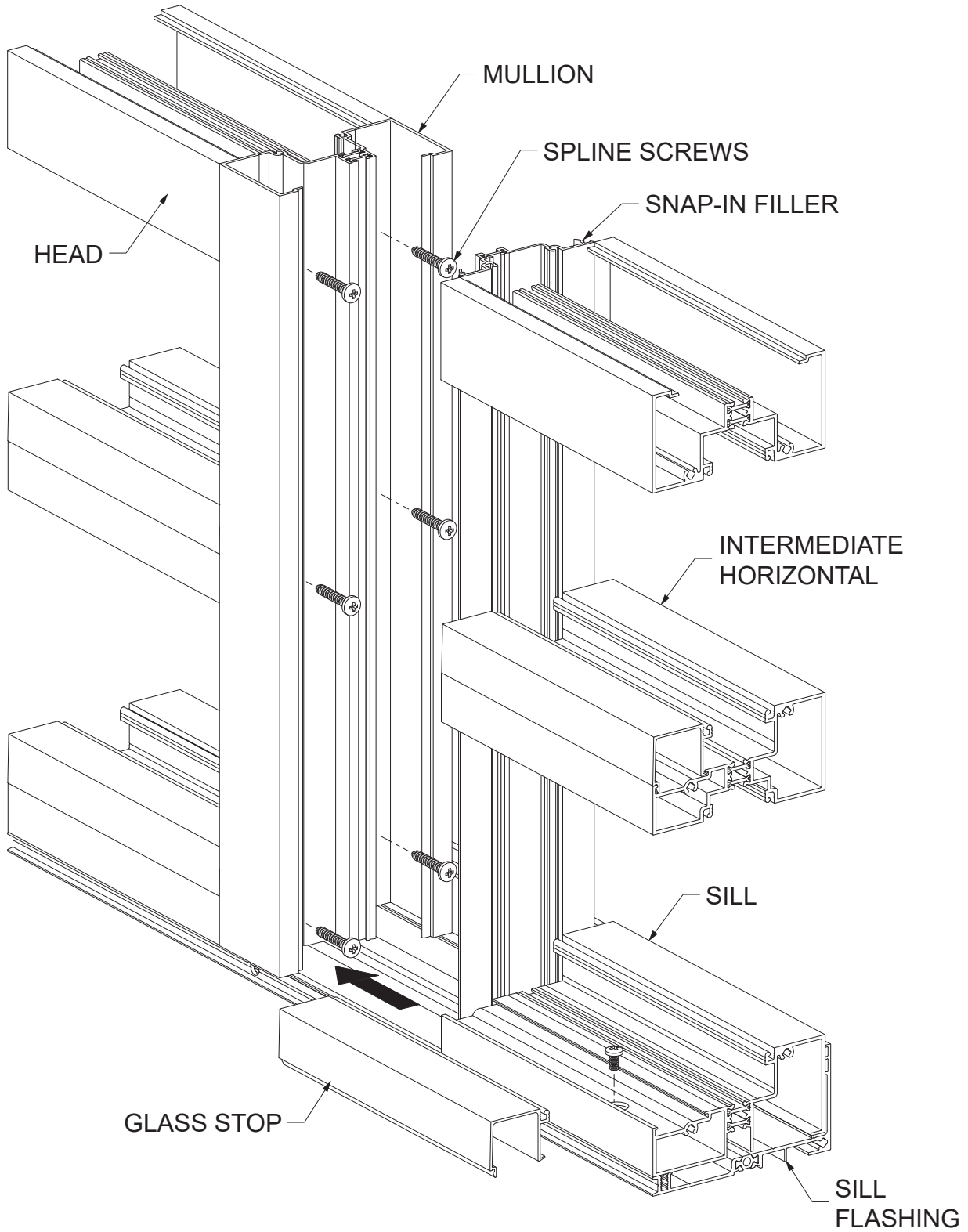
PICTORIAL VIEWS Pages 2 to 3

FRAMING MEMBERS (1/4 SIZE) Pages 4 to 6

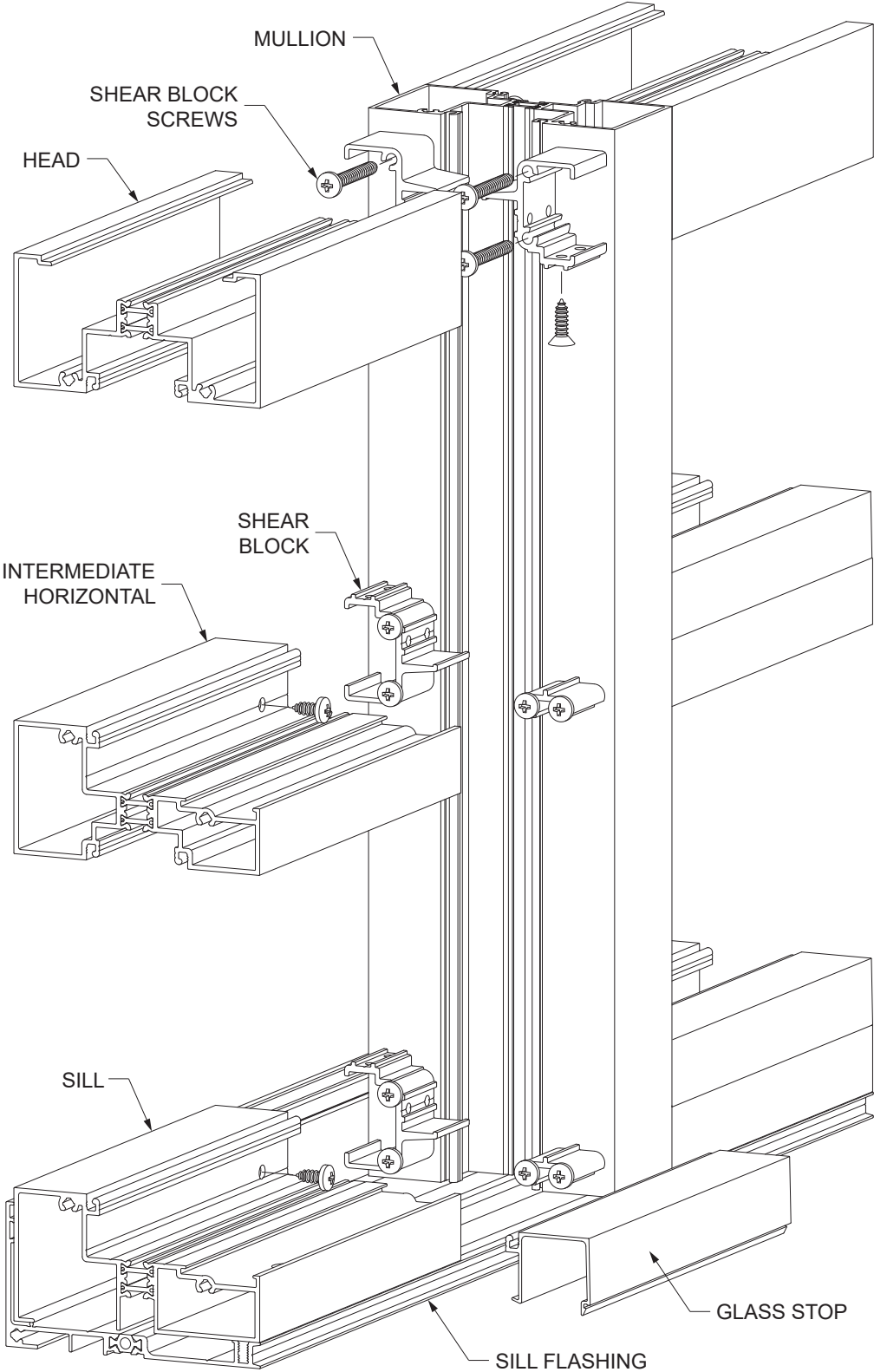
WIND LOAD / DEAD LOAD CHARTS Pages 7 to 8

*The latest installation instructions for this product are available at www.ykkap.com.

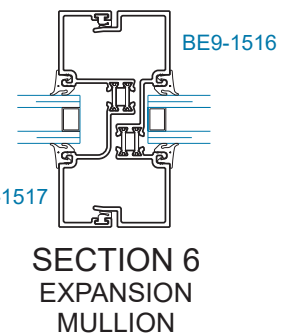
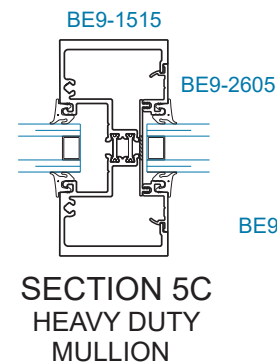
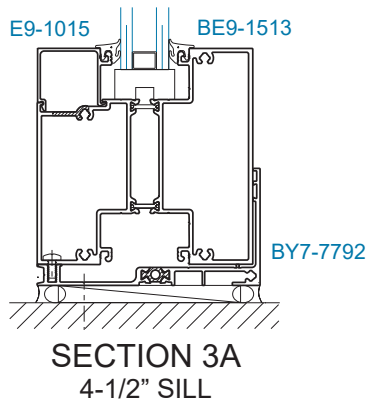
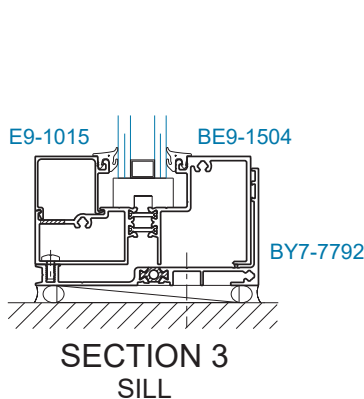
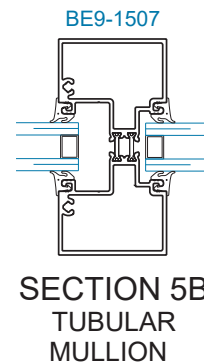
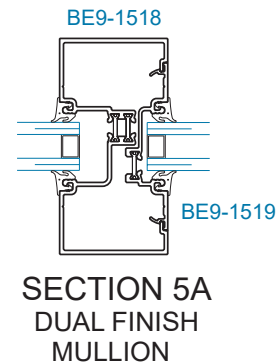
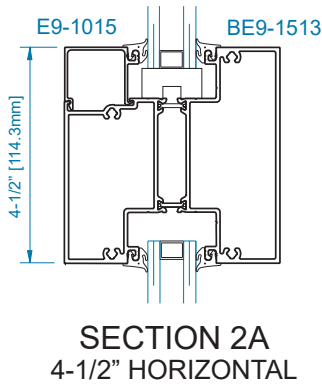
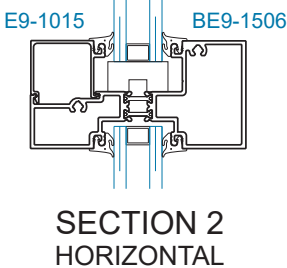
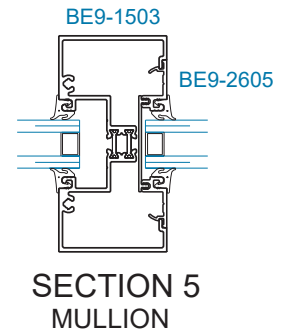
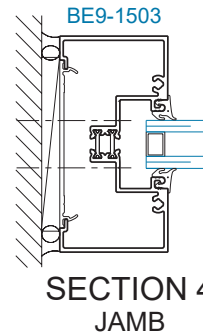
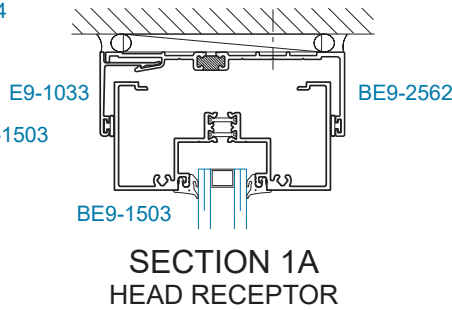
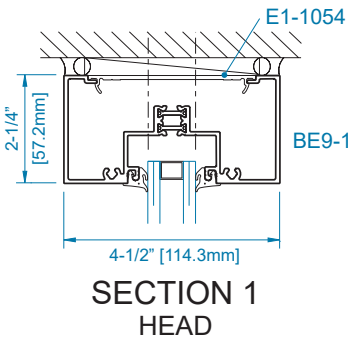
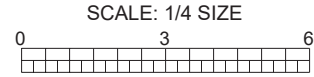
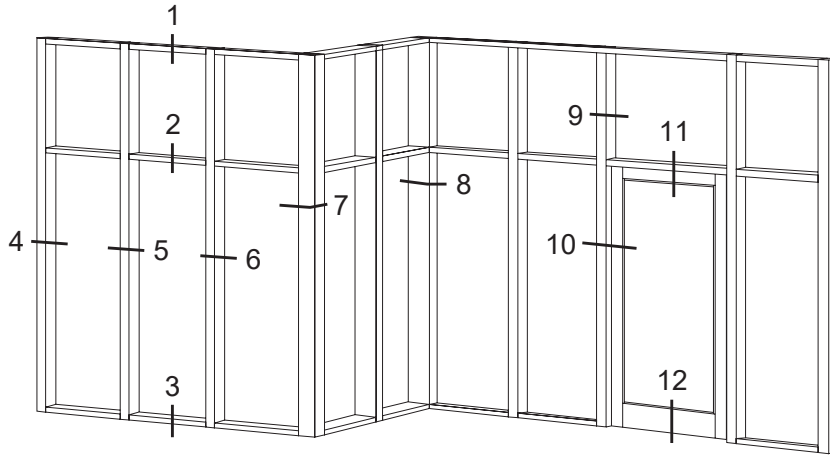
YES 45 FT SCREW SPLINE ASSEMBLY



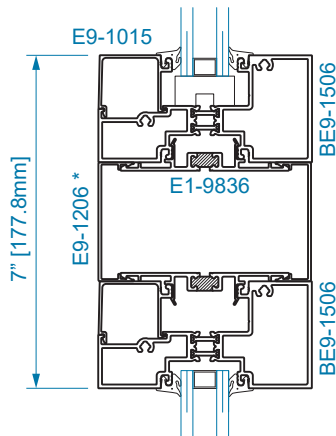
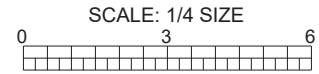
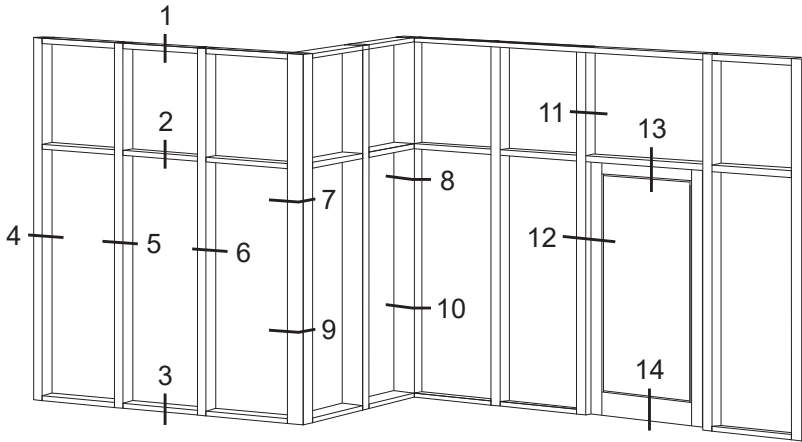
YES 45 FT SHEAR BLOCK ASSEMBLY



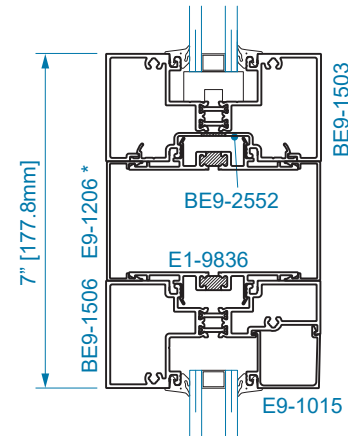
YES 45 FT FRAMING MEMBERS



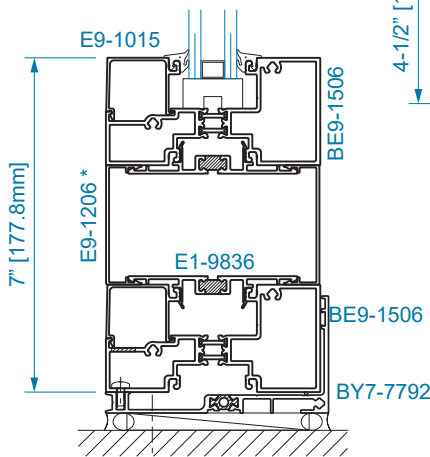
YES 45 FT FRAMING MEMBERS



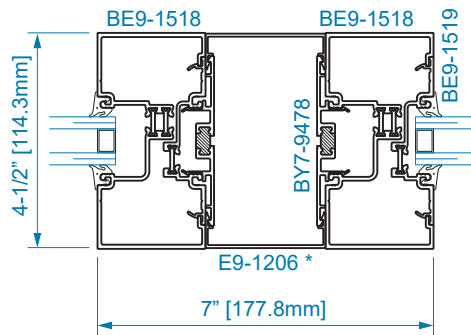
SECTION 2B
OUTSIDE GLAZED
COMPOUND HORIZONTAL



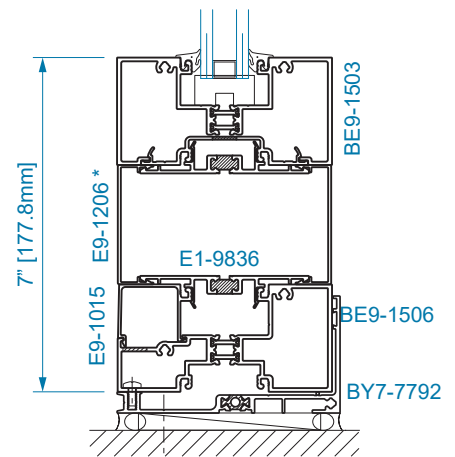
SECTION 2C
INSIDE GLAZED
COMPOUND HORIZONTAL



SECTION 3B
OUTSIDE GLAZED
COMPOUND SILL



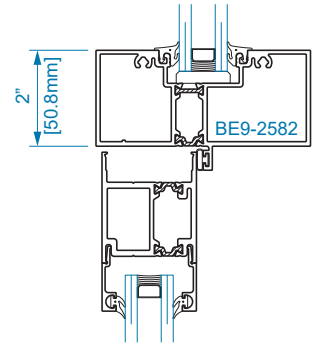
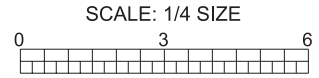
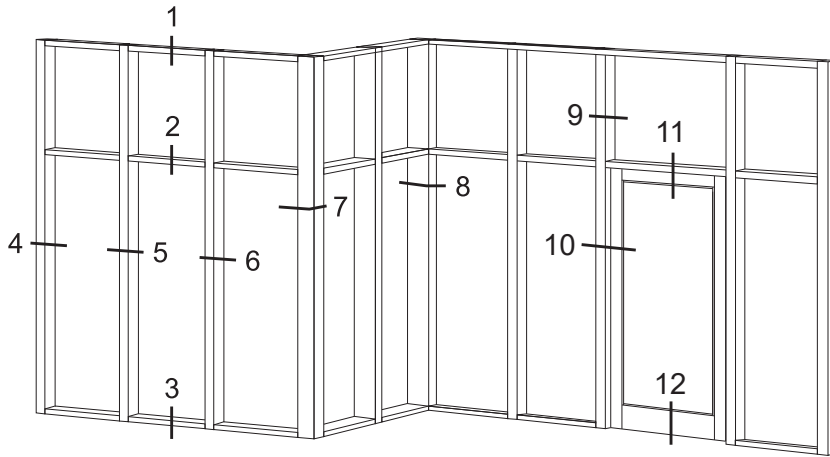
SECTION 5D
COMPOUND MULLION



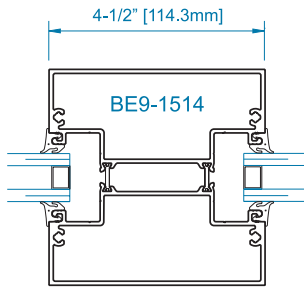
SECTION 3C
INSIDE GLAZED
COMPOUND SILL

* Other face cover options available.
Contact YKK AP for more information.

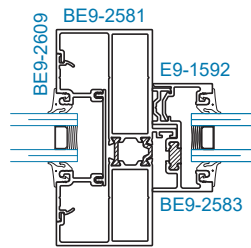
YES 45 FT FRAMING MEMBERS



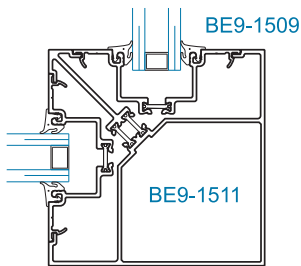
**SECTION 11
THERMAL
TRANSOM BAR**



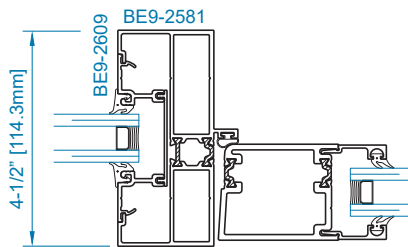
**SECTION 6A
4-1/2" MULLION**



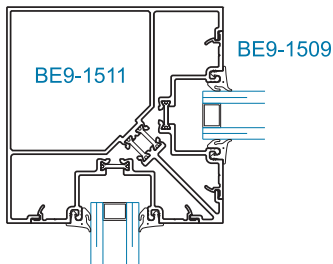
**SECTION 9
THERMAL
TRANSOM JAMB**



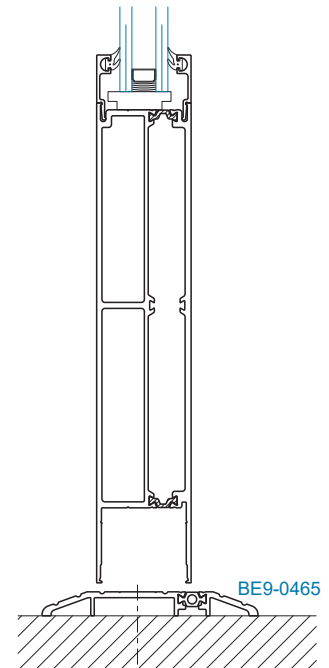
**SECTION 7
90° OUTSIDE CORNER**



**SECTION 10
THERMAL
DOOR JAMB**



**SECTION 8
90° INSIDE CORNER**



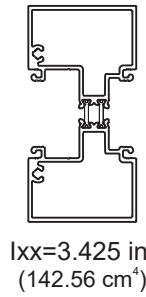
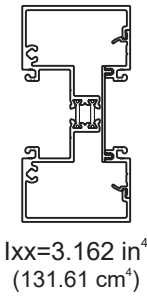
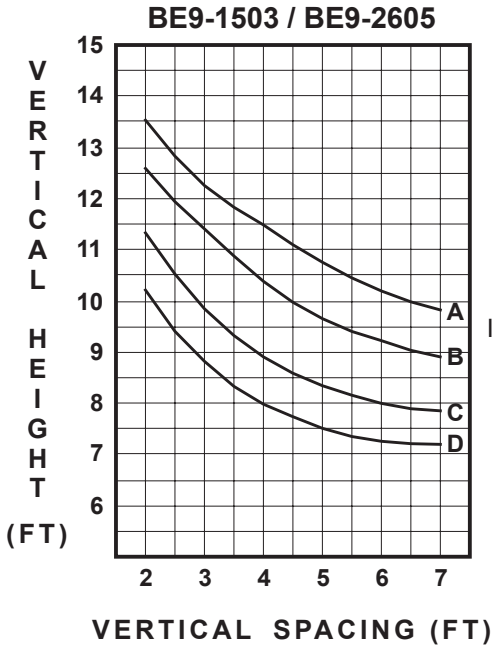
**SECTION 12
THERMAL BOTTOM
RAIL**

YES 45 FT WIND LOAD CHARTS

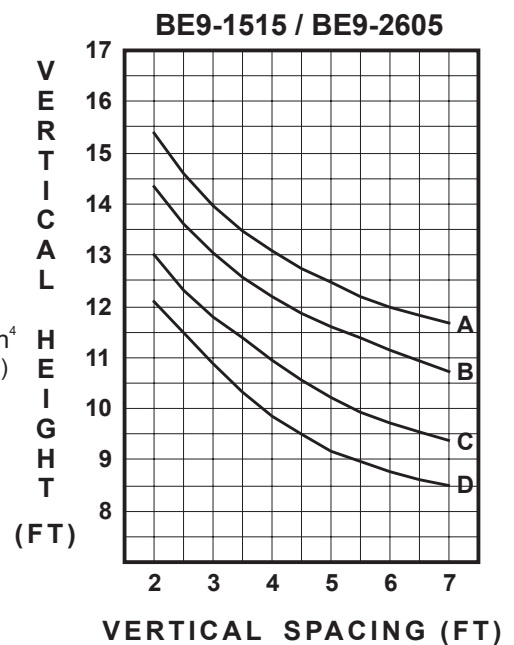
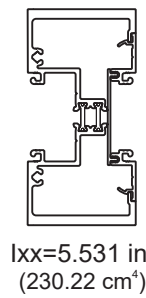
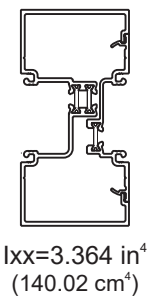
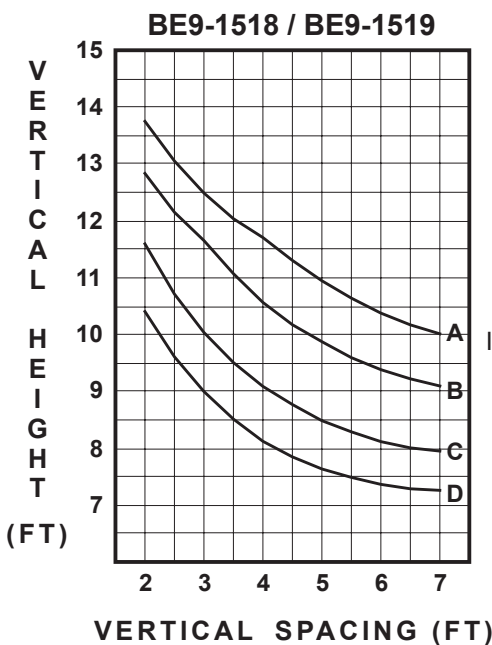
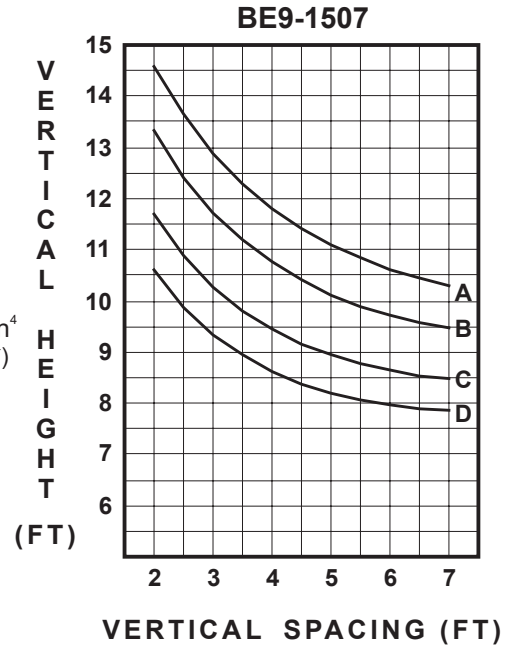
DEFLECTION CRITERIA: AAMA TIR-A11 - L/175 FOR $\leq 13'-6"$ SPAN OR
 $L/240 + 1/4"$ (6.4mm) - FOR SPANS GREATER THAN $13'-6"$ (4.1m) BUT LESS THAN $40'-0"$ (12.2m)
 CODES AND SPECIFICATIONS MAY VARY, NO SINGLE LITE OF GLASS SHALL DEFLECT MORE THAN $3/4"$ (19.1mm)
 ALONG SUPPORTED EDGE.

ALLOWABLE WIND LOAD STRESS
 YKK AP tested standard. Contact YKK AP for more information.

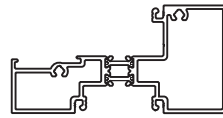
These charts include unbraced length analysis and are based off at least one horizontal being placed at the midpoint of the span. For other applications, please contact YKK AP engineers at 1-866-955-2732.



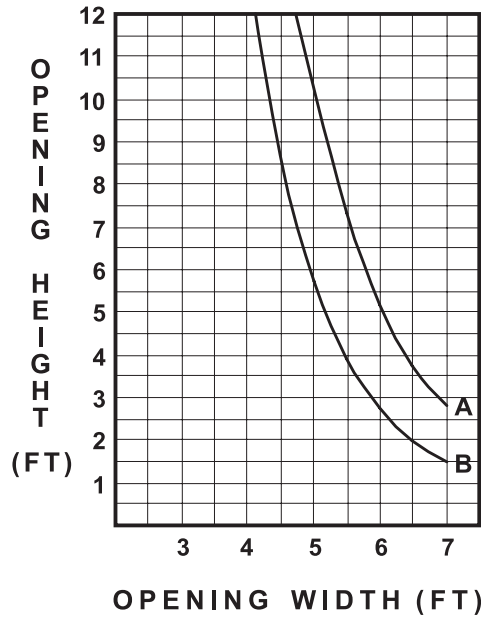
A=15 PSF (720 Pa)
 B=20 PSF (960 Pa)
 C=30 PSF (1440 Pa)
 D=40 PSF (1920 Pa)



YES 45 FT DEAD LOAD CHART



BE9-1506



A = Setting Blocks at 1/8 Point Locations

B = Setting Blocks at 1/4 Point Locations

Note: Dead load requirements are based upon a maximum deflection of 1/8" (3.2mm) at the center of the horizontal.