



# > Model 25FD

## Flush Panel Swing Door

### SYSTEM DESCRIPTION:

YKK AP's new flush panel door, Model 25FD, is available with a durable Fiber Reinforced Polyester resin (FRP) or an Aluminum Skin to meet both aesthetic and performance requirements of any project. Marine Grade high compression honeycomb core material provides superior performance in compression strength. An aluminum skeleton in the form of a 4-1/2" backup tube with a minimum 1/8" wall thickness provides the strength necessary to resist abuse and maintain the integrity of the door. This strong skeleton eliminates the need for hardware specific reinforcement. Model 25FD is designed to accept a variety of locking and hinging hardware for security and egress applications.

### OPTIONS & FEATURES:

- Custom Door Sizes
  - Single Door up to 4'-0" x 8'-0"
  - Pair Doors up to 8'-0" x 8'-0"
- 1-3/4" Door Stile will mount easily into YKK AP door frames
- Locking Hardware options include Rim Panics, Latch Locks, and Maximum Security Locks
- Doors are available pre-glazed with 1/4" monolithic or 1" insulating glass
- Aluminum louvers are available to meet project requirements
- FRP panels are standard with a random pebble textured skin
- Four standard colors are readily available – White, Grey, Dark Bronze, and Beige
- Exterior Grade FRP skins provide superior resistance to fading
- Aluminum skins available in Clear and Dark Bronze anodized finishes



Grey FRP skin, half vision lite, bottom louver, and Von Duprin® night latch shown.

# > Model 25FD

## Flush Panel Swing Door



YKK AP Smart Series Pulls



YKK AP Smart Series Push Bar



Dor-O-Matic® 1790 Series Rim Exit Device



Von Duprin® 33 Series Exit Device



Von Duprin® 99 Series Exit Device

### SMART SERIES PUSH/PULL

YKK AP's Smart Series one inch diameter Push/Pull provides maximum flexibility and occupant safety. The pull handle is open to permit access to the lock cylinder and is slightly angled to provide a uniquely modern look. The Smart Push starts at the locking stile similar to a typical one inch diameter push bar, but then has an ergonomic "S-Bend" toward the locking stile to bring the bar closer to the door where it is captured by a patented end cap. This innovative push bar easily accommodates custom width openings while subtly informing a pedestrian which side of the door to push on when exiting a building.

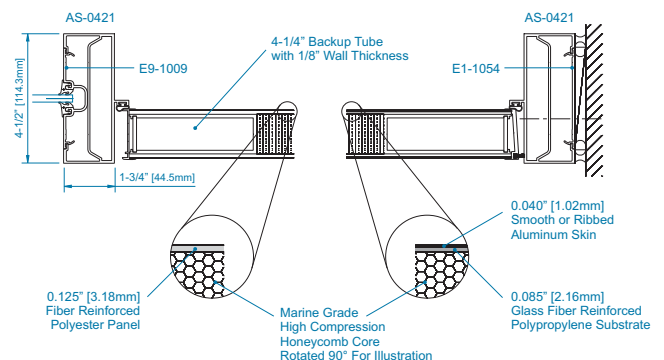
### DOR-O-MATIC® EXIT DEVICES

The modern and economical touch bar exit devices from Dor-O-Matic® are ideally suited for all applications that require emergency egress. The devices are ANSI Grade 1, carry the UL label and are approved for Life Safety. Both the rim and concealed vertical rod devices feature single point dogging and are available with electric actuation.

### VON DUPRIN® EXIT DEVICES

These top quality touch bar exit devices from Von Duprin® are also perfectly suited for all applications that require emergency egress. These finely crafted devices are also ANSI Grade 1, carry the UL label and are approved for Life Safety. Both the rim and concealed vertical rod devices feature single point dogging and are available with electric actuation.

### DOOR PANEL COMPOSITION



For additional information on architectural aluminum products offered by YKK AP America Inc. visit our web site at [www.ykkap.com](http://www.ykkap.com).