



www.ykkap.com



Buddy Holly Hall of Performing Arts and Sciences - Lubbock, TX

LUBBOCK, INDEPENDENT SCHOOL DISTRICT

YSK 750

Sloped, Outside Glazed Skylight System for Curtain Wall

The **YSK 750** is a complete slope glazed framing system designed for curtain walls with long rafters. The system incorporates an integral gutter that may be set directly down onto a curb or on top of a vertical curtain wall. The unique hinge will accommodate slope angles from fifteen to sixty degrees and provide positive anchorage for the slope. Purlins (horizontal members) are available with a variety of face covers to meet design requirements or may be structural silicone glazed for a clean, uninterrupted appearance.

- Available in stock lengths or may be factory engineered and fabricated.
- SSG purlin option available
- Dual finish capability for different exterior and interior colors
- Variety of face covers to match your design
- Integrates with our YKK AP 750 Series Curtain Wall
- Custom design solutions may be available through our Engineering Center

Configuration:

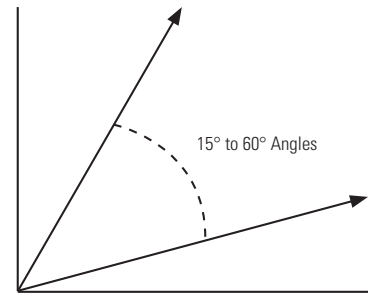
Glazing	Glass Setting	Installation
Outside	Front Set	Rafter or Purlin



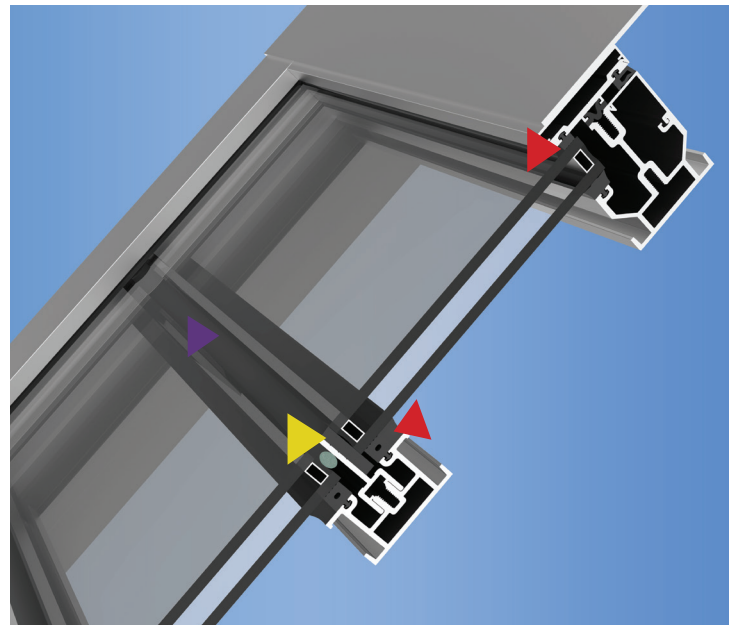
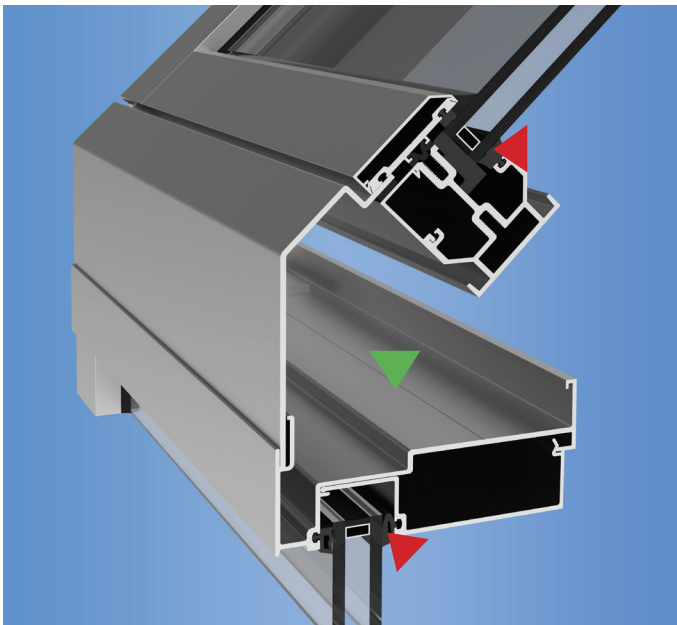
YSK 750 SPECS		
Base Depth	7-1/2"	
Sightline	Angle Dependant	
Config	Outside Glazed / Front Set	
Tested Glass	1" IGU with Low-E (C.O.G. U-Factor: 0.29)	
Test	Results	Standards
Air Infiltration	0.06 CFM/FT ² (1.10 m ³ /h·m ²) @ 6.24 PSF (299 Pa)	ASTM E 283
Water Infiltration	Static: 15 PSF (718 Pa) Dynamic: 15 PSF (718 Pa)	ASTM E 331 AAMA 501

Glazing Options
For Purlins: 5/16", 1", 1-1/16", 1-1/8", 1-3/16", 1-1/4" and 1-5/16"
For SSG Purlins: 1", 1-1/16", 1-1/8", 1-3/16", 1-1/4" and 1-5/16"
For Rafters: 5/16", 1", 1-1/16", 1-1/8", 1-3/16", 1-1/4" and 1-5/16"

Finish Options	
Type	Standard
Factory Anodized	AAMA 612
Organic Paints	AAMA 2604 AAMA 2605



A Closer Look at Sloped Glazing



- ▶ **INTEGRATED GUTTER** - Built in the slope system that will sit flush on a curtain wall or slab to help redirect any water.
- ▶ **TAILORED GLAZING** - Wet and Dry Glazing combinations ensure the best support for the sloped glazing applied to the system.
- ▶ **INTEGRATED STRUCTURAL SUPPORT** - Carry dead load of the insulating glass, diverting load away from struts.
- ▶ **STRUCTURAL SILICONE GLAZING** - SSG option for perlin type installation.

Additional information including CAD details, CSI specs, test reports and installation instructions are found on the Product Guide by clicking this link or visiting www.ykkap.com/commercial/productguide